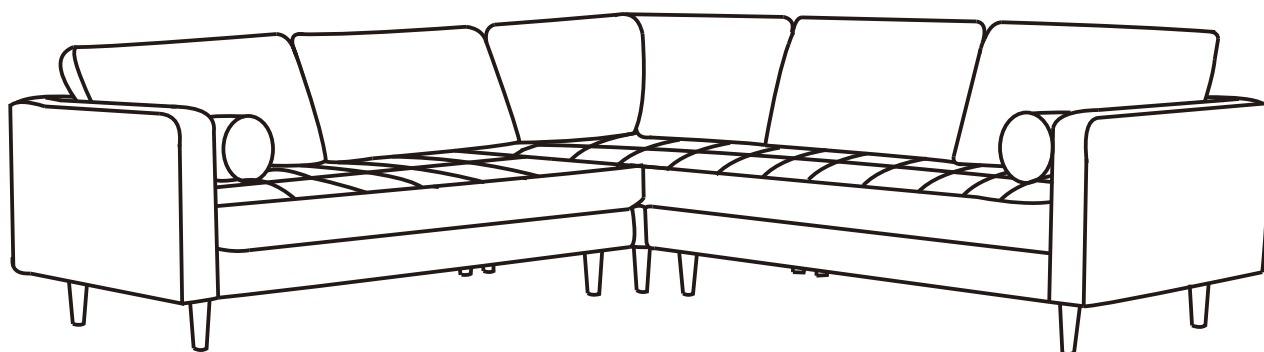


# ARTICLE.

VERSION 1.0

## Assembly Instructions



# SVEN

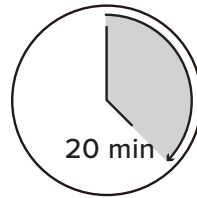
Corner Sectional Sofa

## ASSEMBLY INSTRUCTIONS

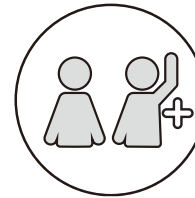
Read these instructions carefully and keep for future reference. Refer to parts inventory for guidance, and ensure you have all pieces before starting.

When assembling, place all parts on a soft, clean, and flat surface such as a carpet to prevent scratches.

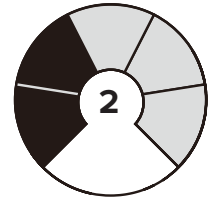
If you're having difficulty, our friendly Customer Care team is always here to help. Call us at **1.888.746.3455** during business hours, email [service@article.com](mailto:service@article.com) or chat live at [article.com](https://www.article.com).



TIME



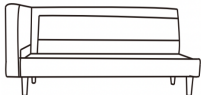
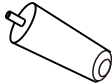





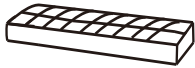

# OF PEOPLE



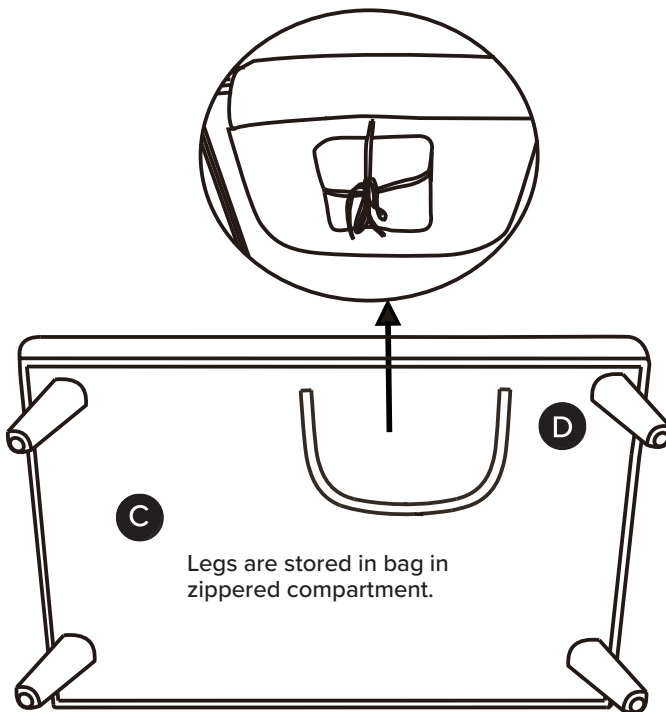
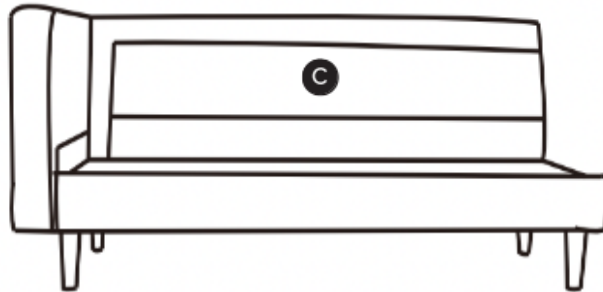
DIFFICULTY

**!** Hardware may loosen over time, check the bolts regularly and tighten if necessary.

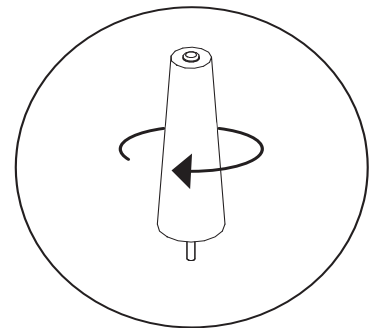
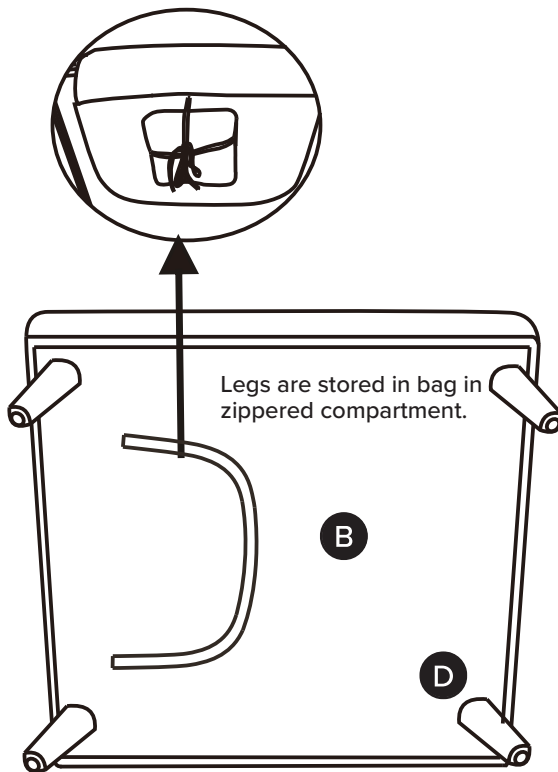
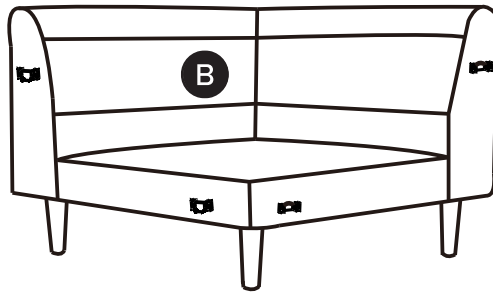
PARTS INVENTORY		
ID	DESCRIPTION	QTY
<b>A</b>	RIGHT SOFA SECTION 	1
<b>B</b>	CORNER SECTION 	1
<b>C</b>	LEFT SOFA SECTION 	1
<b>D</b>	LEGS 	12

PARTS INVENTORY CONT.		
ID	DESCRIPTION	QTY
<b>E</b>	BACK CUSHION 	4
<b>F</b>	CORNER BACK CUSHION 	2
<b>G</b>	ARM CUSHION 	2
<b>H</b>	RIGHT SEAT CUSHION 	1
<b>I</b>	LEFT SEAT CUSHION 	1

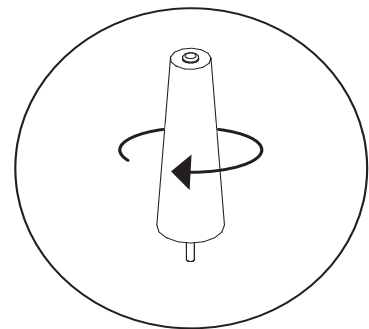
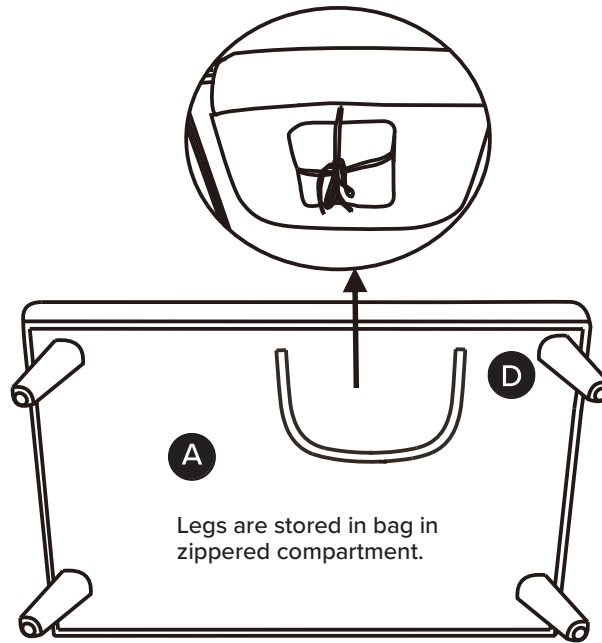
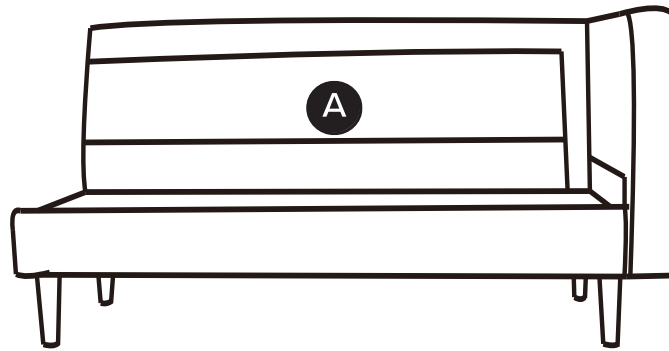
1A



1B

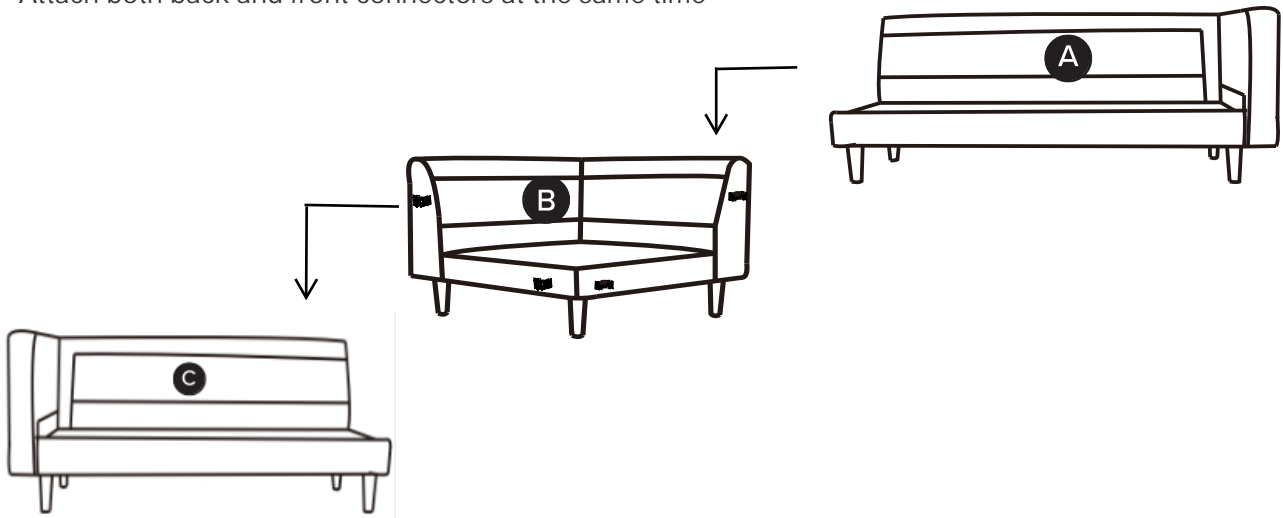


1C



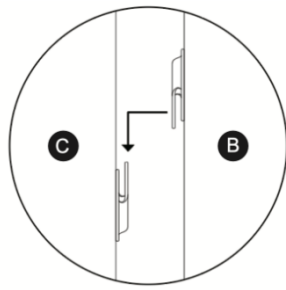
2

Attach both back and front connectors at the same time

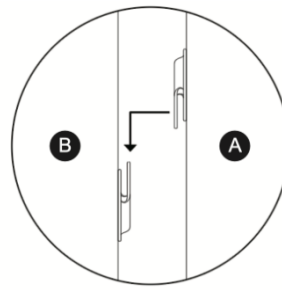


⚠ Step1 : B to C

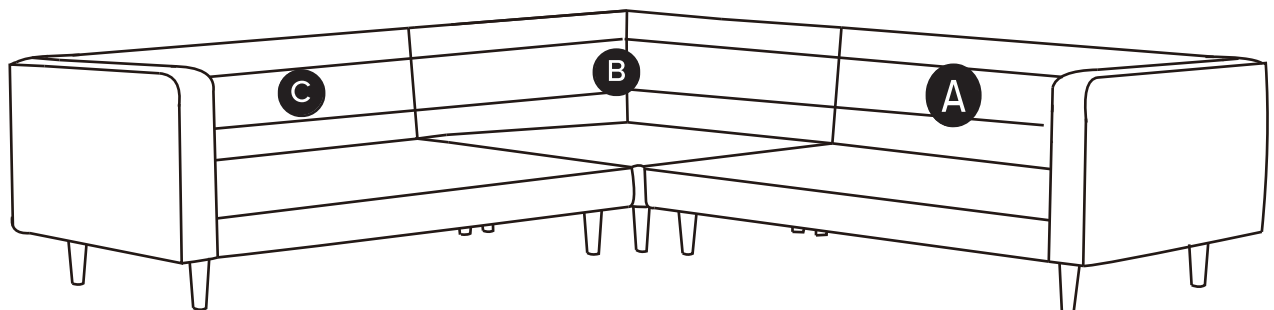
⚠ Step2 : A to B + C



①



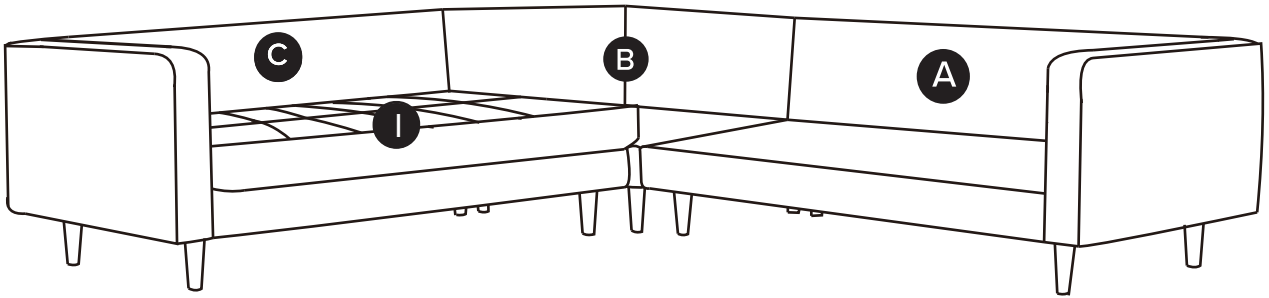
②



3A

---

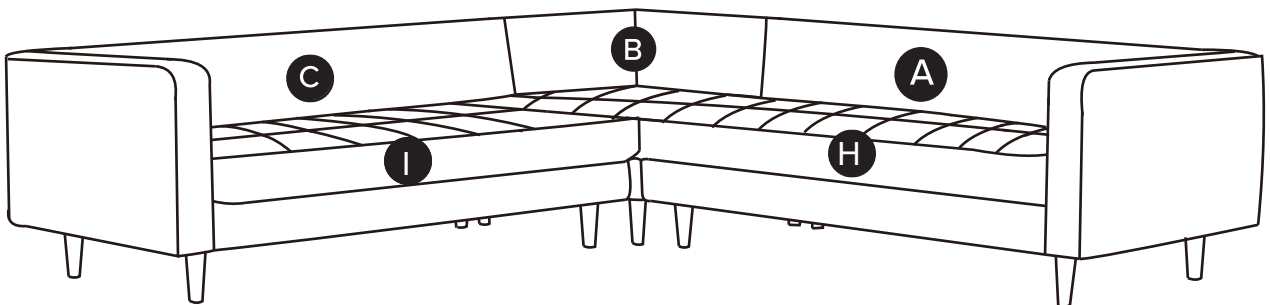
ⓘ Place the left seat cushion (I) fit the back of the left sofa sectional (C)



3B

---

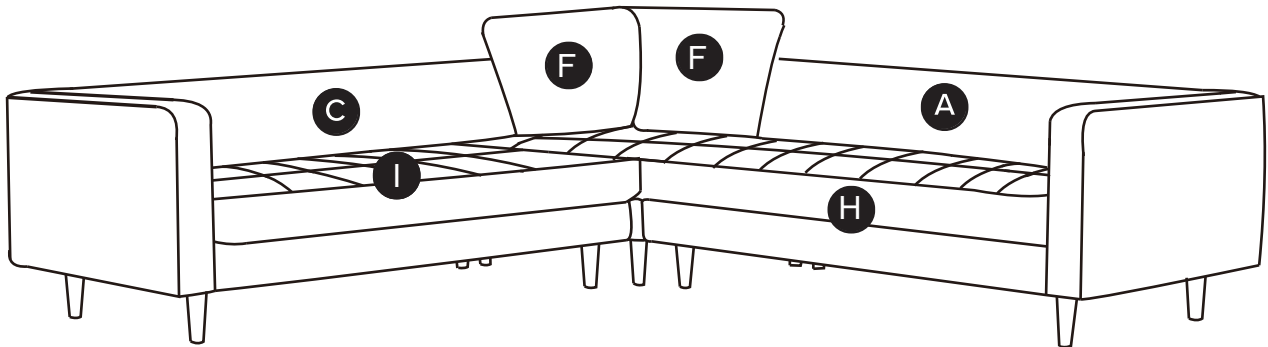
ⓘ Place the right seat cushion (H) fit the back of corner (B) and the right sofa sectional (A)



4A

---

! Slanted sides of corner back cushion (F) fit together in the corner sectional (B)



4B

---

! Place back cushion (E) fit the back of sectional (C) and (A)

