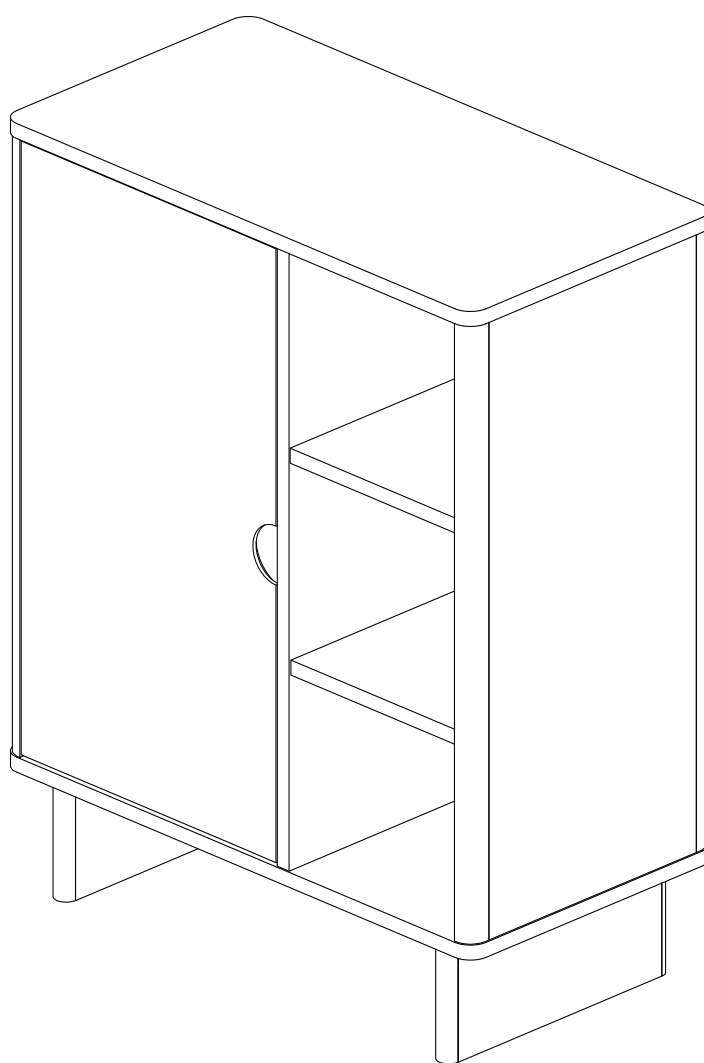


ARTICLE.

VERSION 1.0

Assembly Instructions



OTTO

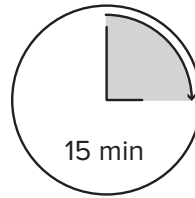
Cabinet

ASSEMBLY INSTRUCTIONS

Read these instructions carefully and keep for future reference. Refer to parts inventory for guidance, and ensure you have all pieces before starting.

When assembling, place all parts on a soft, clean, and flat surface such as a carpet to prevent scratches.

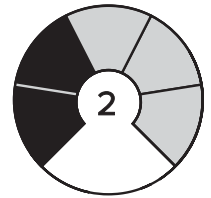
If you're having difficulty, our friendly Customer Care team is always here to help. Call us at **1.888.746.3455** during business hours, email service@article.com or chat live at [article.com](https://www.article.com).



TIME


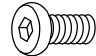
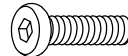




OF PEOPLE

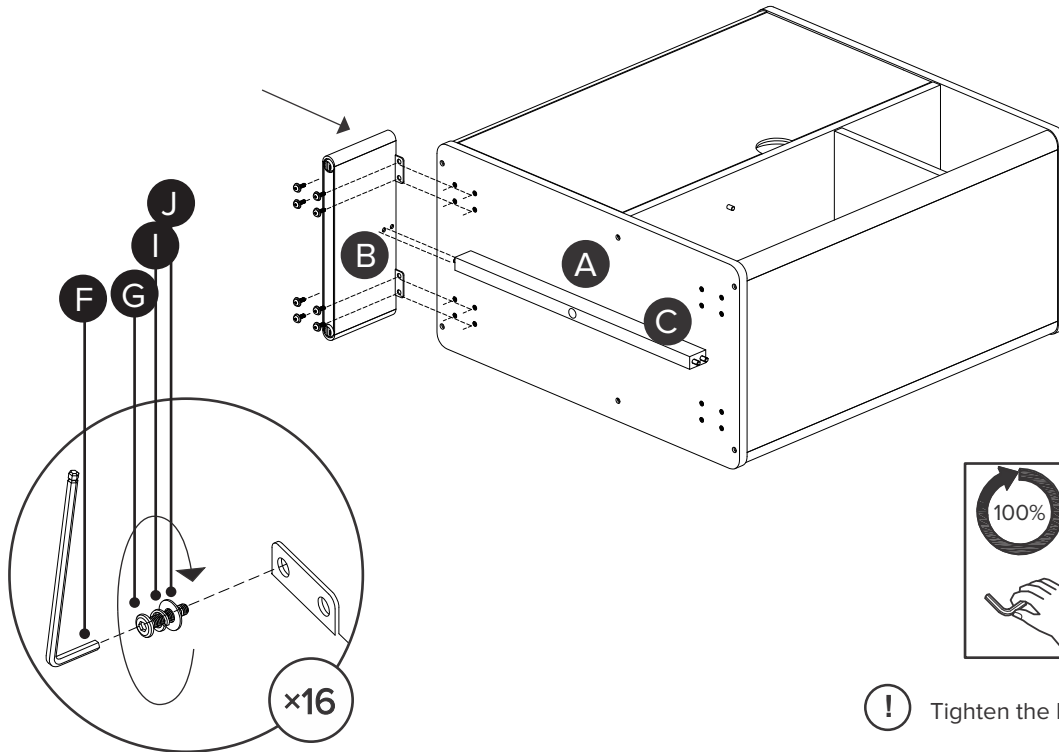


DIFFICULTY

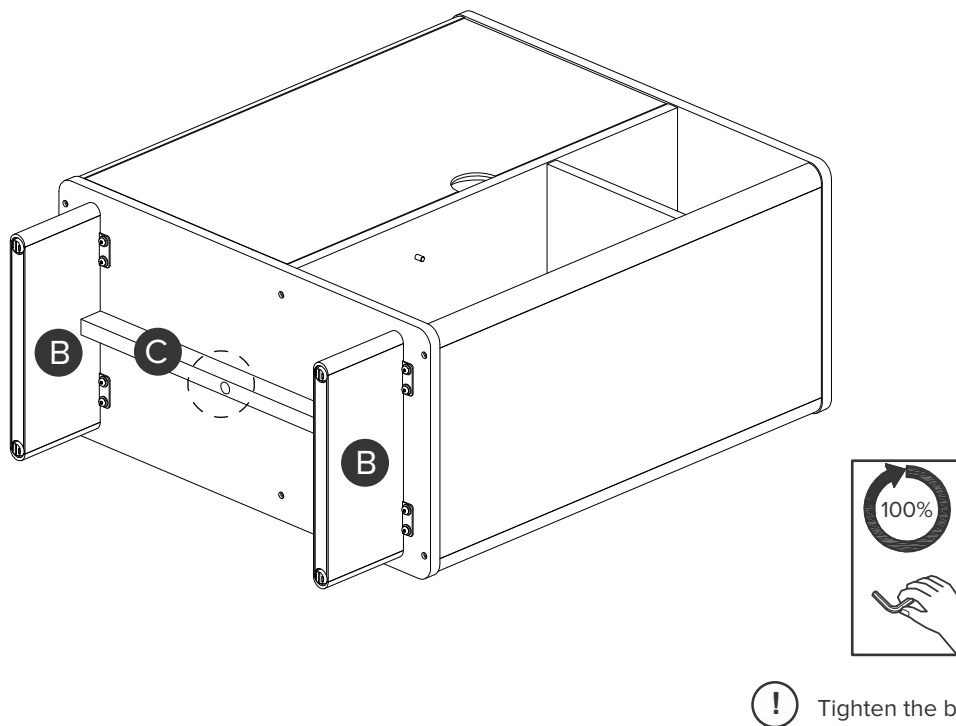
PARTS INVENTORY		
ID	DESCRIPTION	QTY
A	CABINET BODY	1
B	LEGS	2
C	SUPPORT BAR	1
D	LONGER ADJUSTABLE SHELVES	2
E	SHORTER ADJUSTABLE SHELF	1

HARDWARE LIST			
ID	DESCRIPTION		QTY
F	ALLEN KEY		1
G	M6 x 15 BOLT		16
H	M6 x 35 BOLT		1
I	M6 WASHER		17
J	M6 FLAT WASHER		17

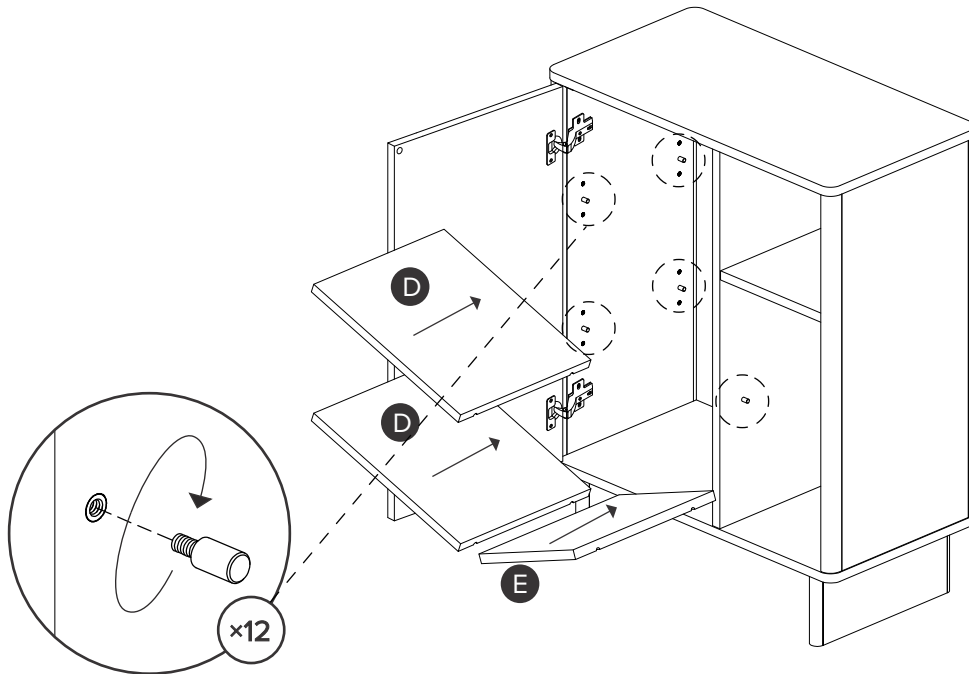
2



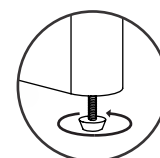
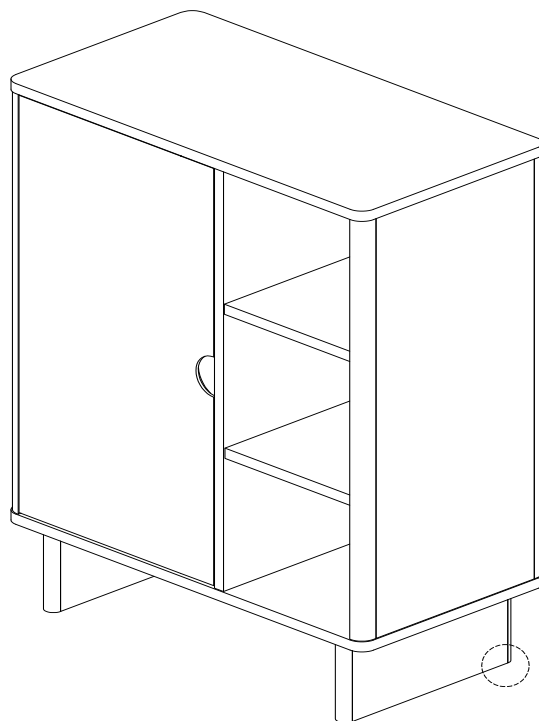
3



4



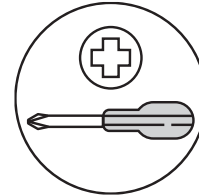
5



! Adjust leveler as needed.

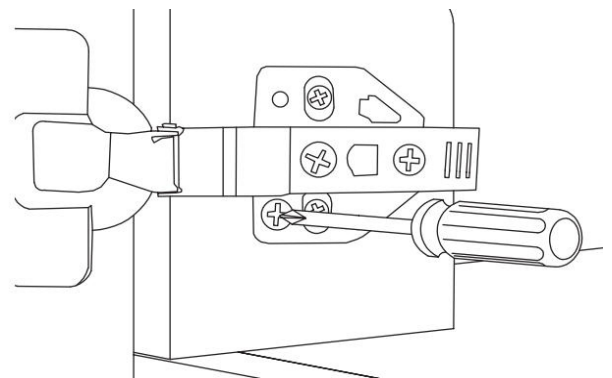
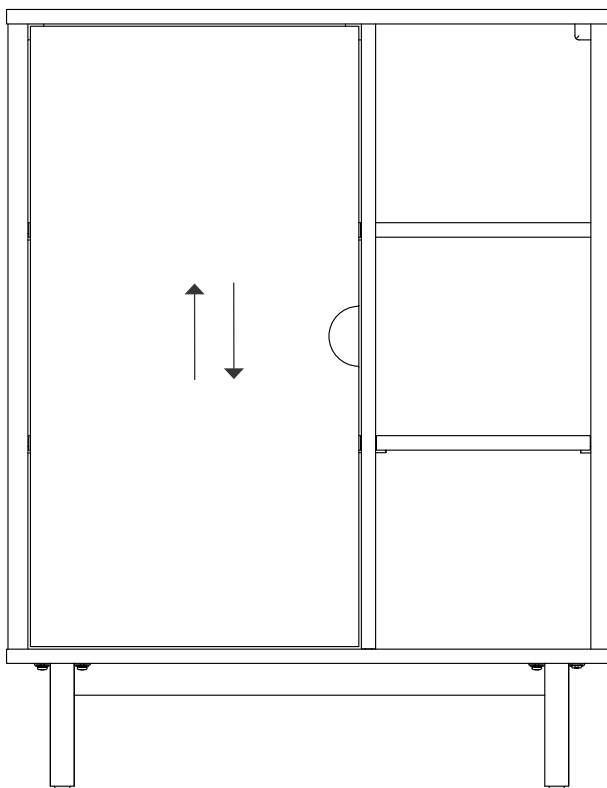
DOOR ADJUSTMENT INSTRUCTIONS

! During shipping, the doors of your cabinet may have shifted slightly. This can easily be corrected by tightening a few screws. Always start by adjusting the top hinge on the affected door.



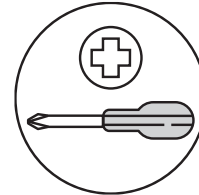
1A

If the door is crooked, adjust hinge(s) up or down:



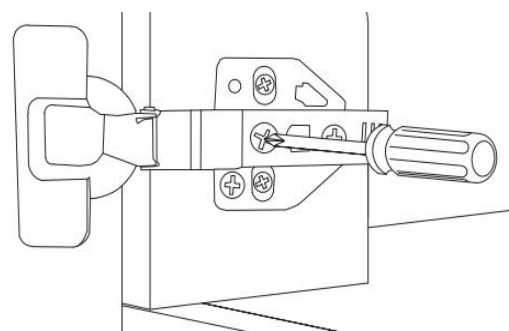
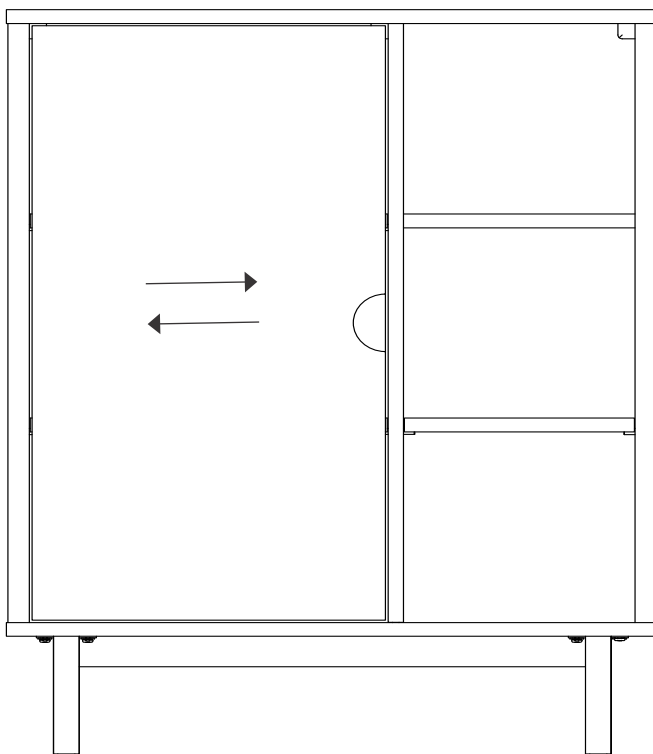
DOOR ADJUSTMENT INSTRUCTIONS

! During shipping, the doors of your cabinet may have shifted slightly. This can easily be corrected by tightening a few screws. Always start by adjusting the top hinge on the affected door.



2A

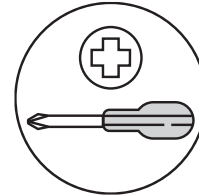
If the door needs adjustment side to side:



DOOR ADJUSTMENT INSTRUCTIONS

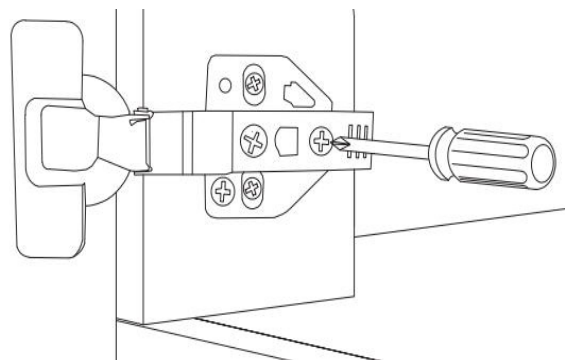
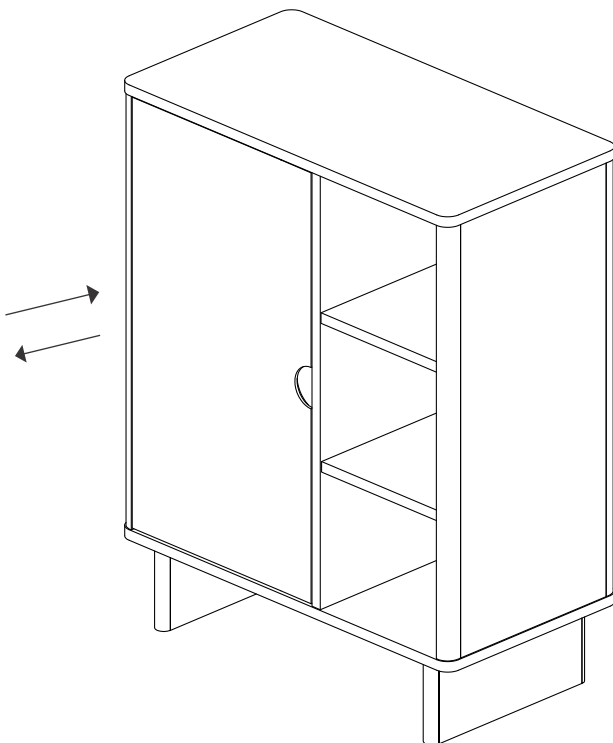


During shipping, the doors of your cabinet may have shifted slightly. This can easily be corrected by tightening a few screws. Always start by adjusting the top hinge on the affected door.



3A

If the door needs adjustment forward or backward:



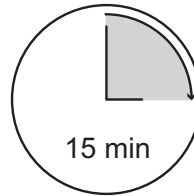


ANTI-TIP RESTRAINT INSTALLATION

WARNING!

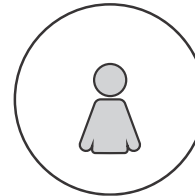
Children have died from furniture tipover.
To reduce the risk of furniture tipover:

- ALWAYS install tipover restraint provided.
- NEVER put a TV on this product.
- NEVER allow children to stand, climb or hang on drawers, doors, or shelves.
- NEVER open more than one drawer at a time.
- Place heaviest items in the lower drawers.

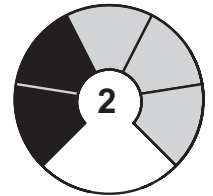


15 min

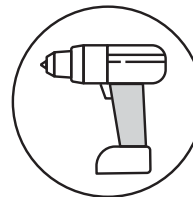
TIME



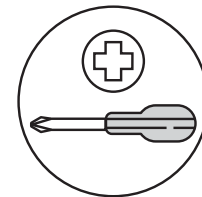
OF PEOPLE






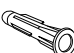






DIFFICULTY



REQUIRED TOOL
8MM / 5/16" DRILL BIT



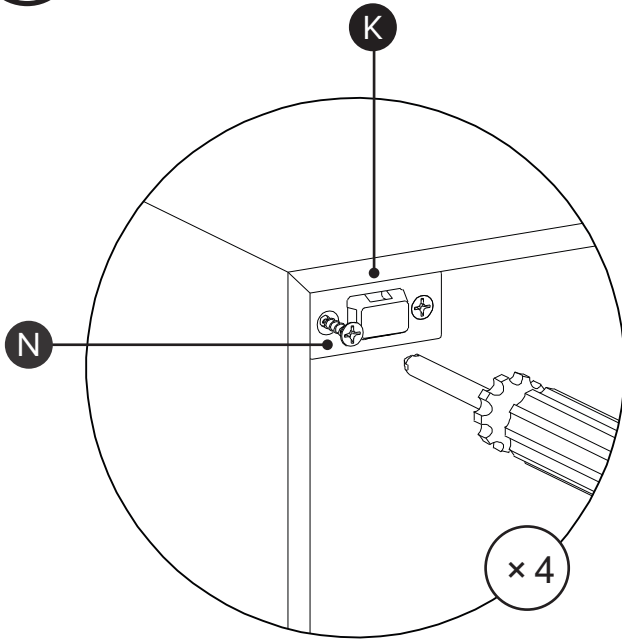
REQUIRED TOOL

PARTS INVENTORY		
ID	DESCRIPTION	QTY
 K	BRACKET 	4
 L	M8 × 51MM PLUG 	4
 M	M6 × 70MM SCREW 	4
 N	M4 × 20MM SCREW 	4
 O	STRAP 	2



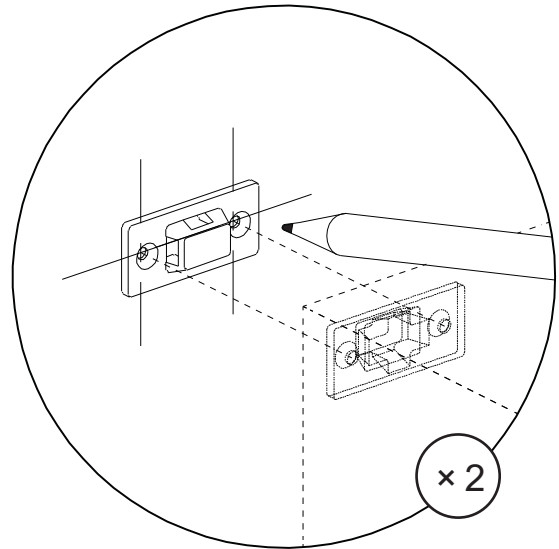
Hardware (C/D) to attach brackets to wall is designed for drywall. To attach this unit to another type of wall, consult with your local hardware store.

1



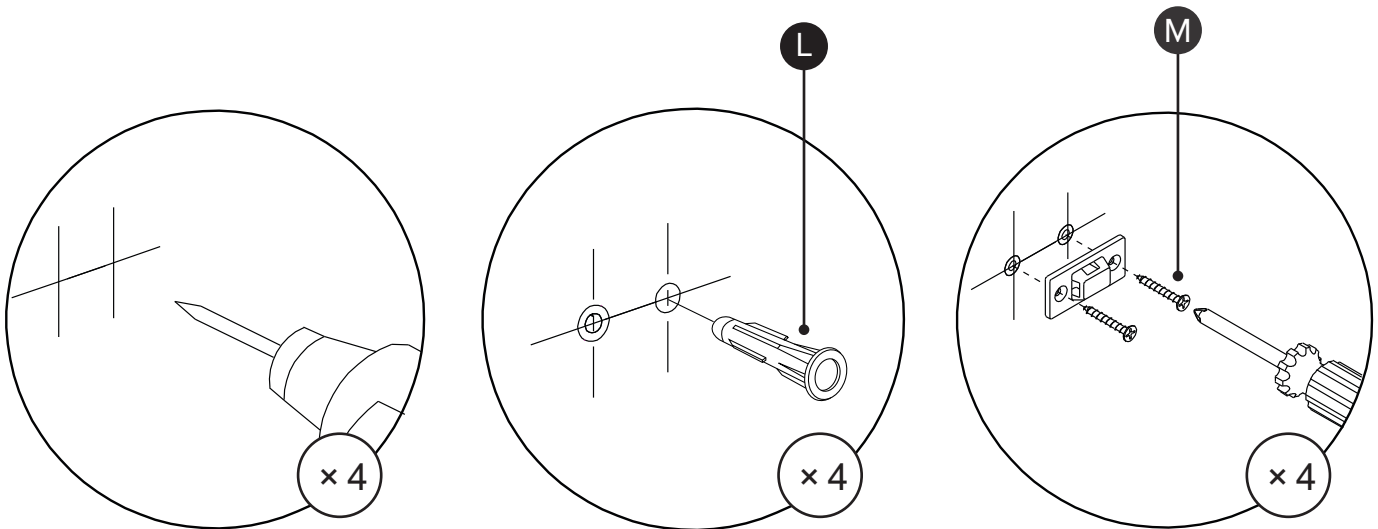
Attach pair of brackets to top corners of the back of the unit.

2



Mark on wall where second pair of brackets should be placed.

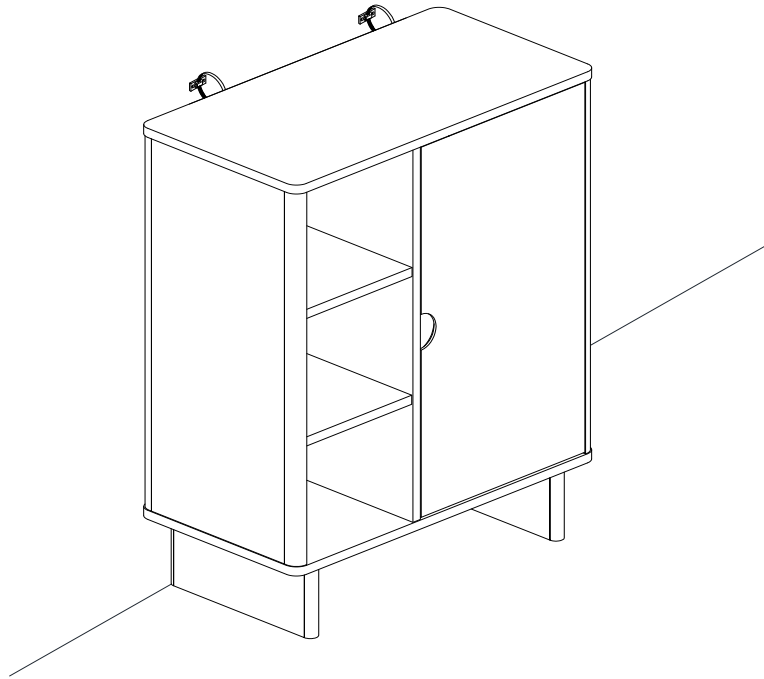
3



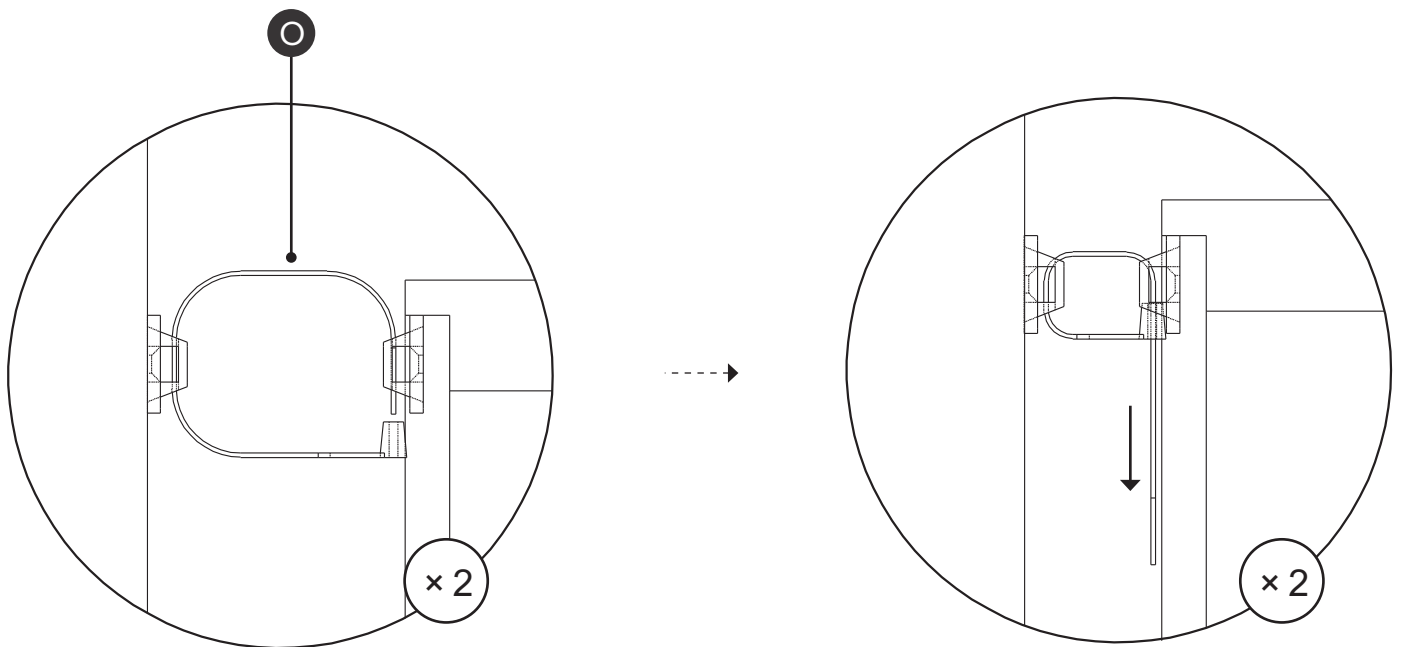
Drill holes in wall using 8mm / 5/16" drill bit.

4A

Align brackets on unit
with brackets on wall.



4B



Pull strap down until it snap-locks.