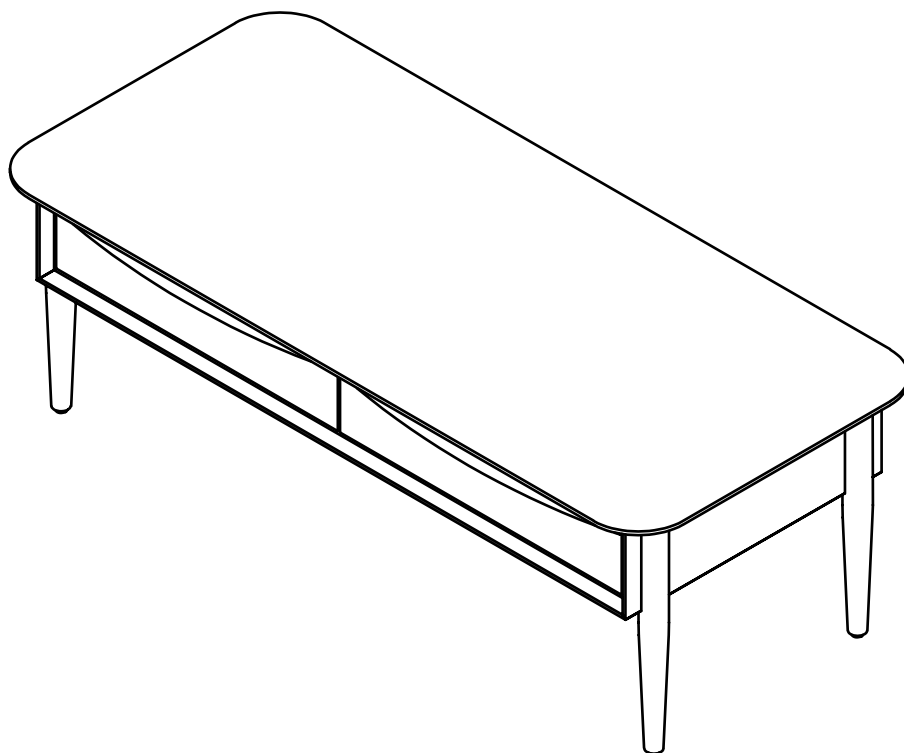


# ARTICLE.

VERSION 1.0

## Assembly Instructions



# LENIA

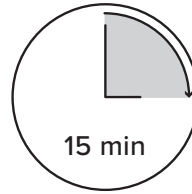
Storage Coffee Table

## ASSEMBLY INSTRUCTIONS

Read these instructions carefully and keep for future reference. Refer to parts inventory for guidance, and ensure you have all pieces before starting.

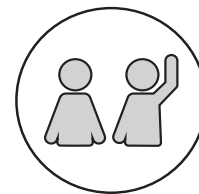
When assembling, place all parts on a soft, clean, and flat surface such as a carpet to prevent scratches.

If you're having difficulty, our friendly Customer Care team is always here to help. Call us at **1.888.746.3455** during business hours, email [service@article.com](mailto:service@article.com) or chat live at [article.com](https://www.article.com).

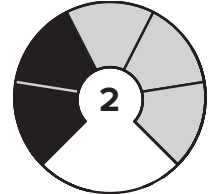


15 min





TIME



# OF PEOPLE

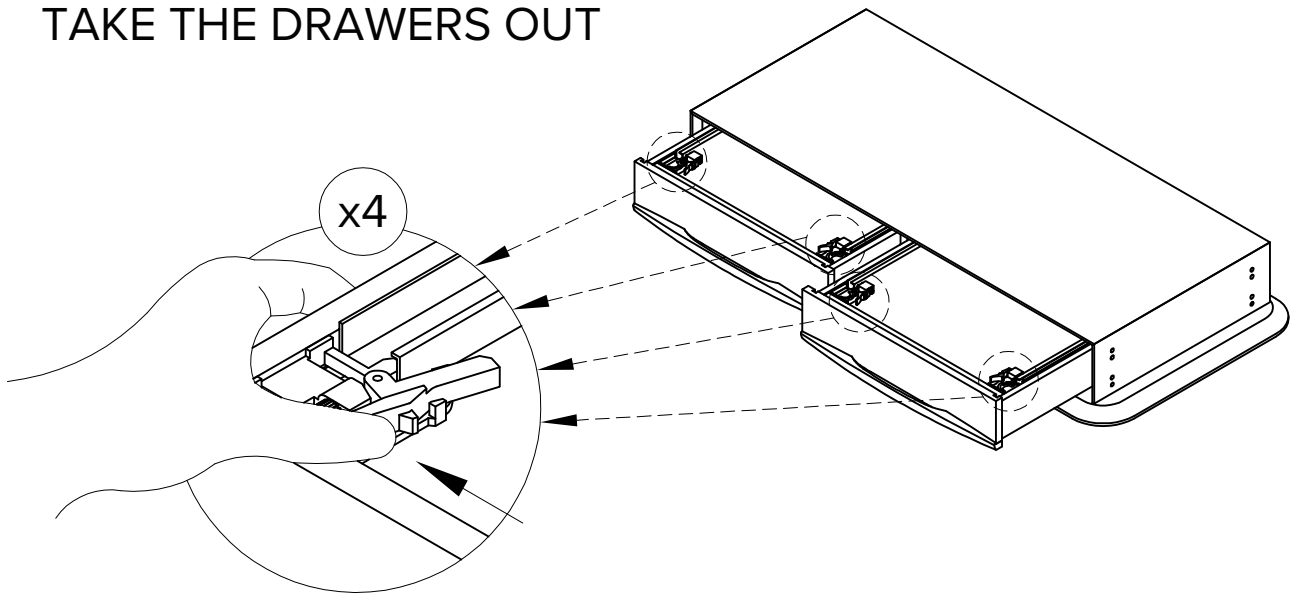


DIFFICULTY

PARTS INVENTORY		
ID	DESCRIPTION	QTY
<b>A</b>	STORAGE FRAME	1
<b>B</b>	LEG	4
<b>C</b>	ALLEN KEY 	1
<b>D</b>	M6 × 30MM BOLT 	8
<b>E</b>	M6 WASHER 	8
<b>F</b>	LOCK WASHER 	8

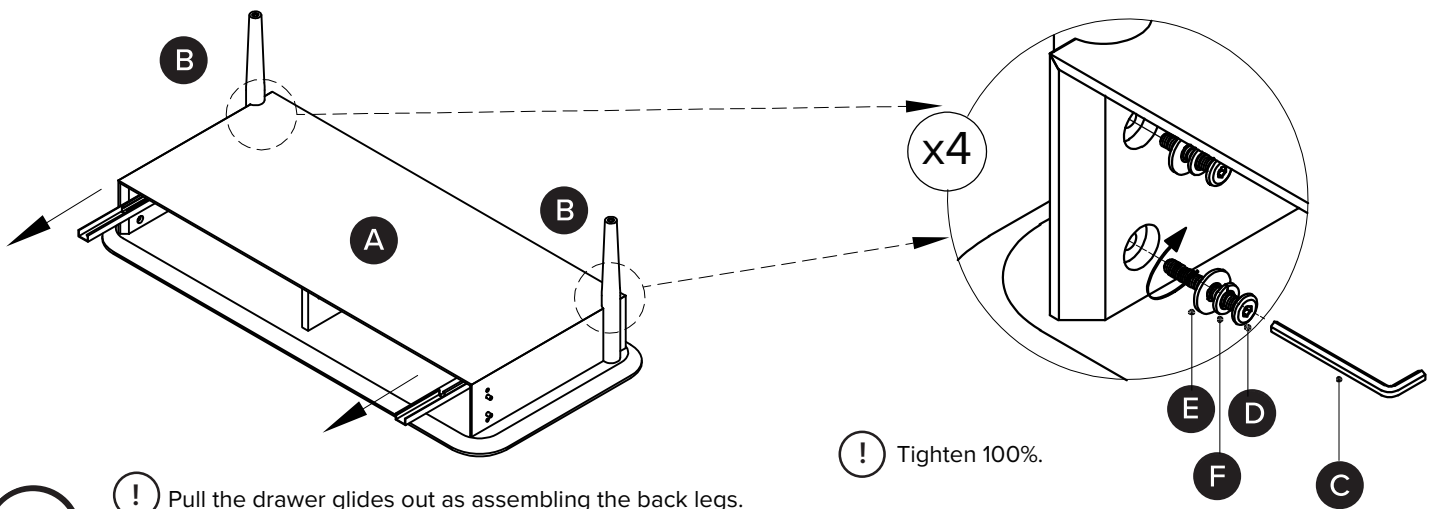
1

TAKE THE DRAWERS OUT



! Please ensure to put components on a flat and soft surface such as a cardboard or a rug.

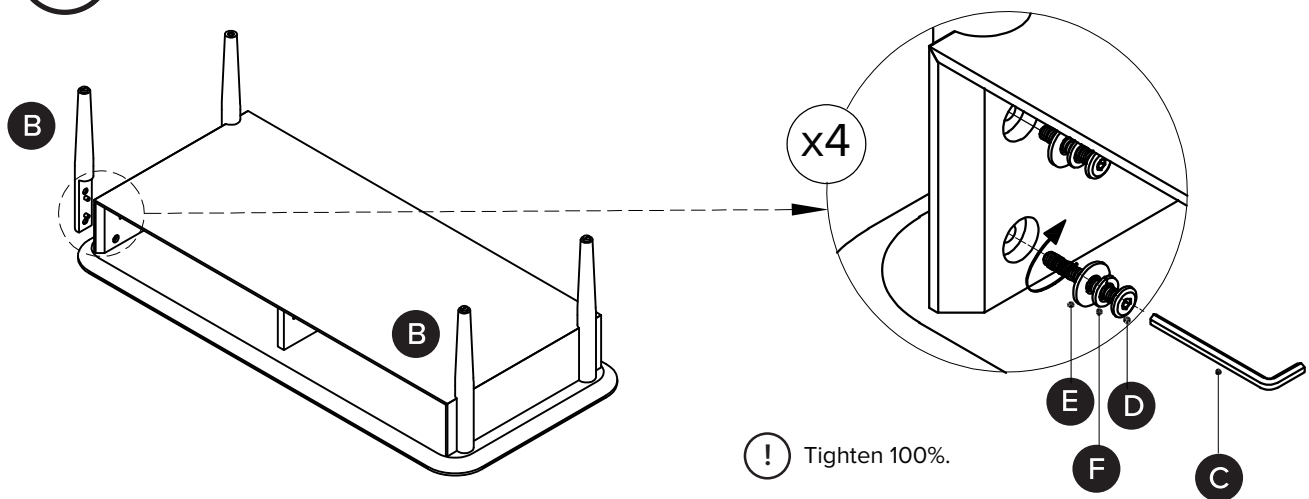
2A



! Tighten 100%.

2B

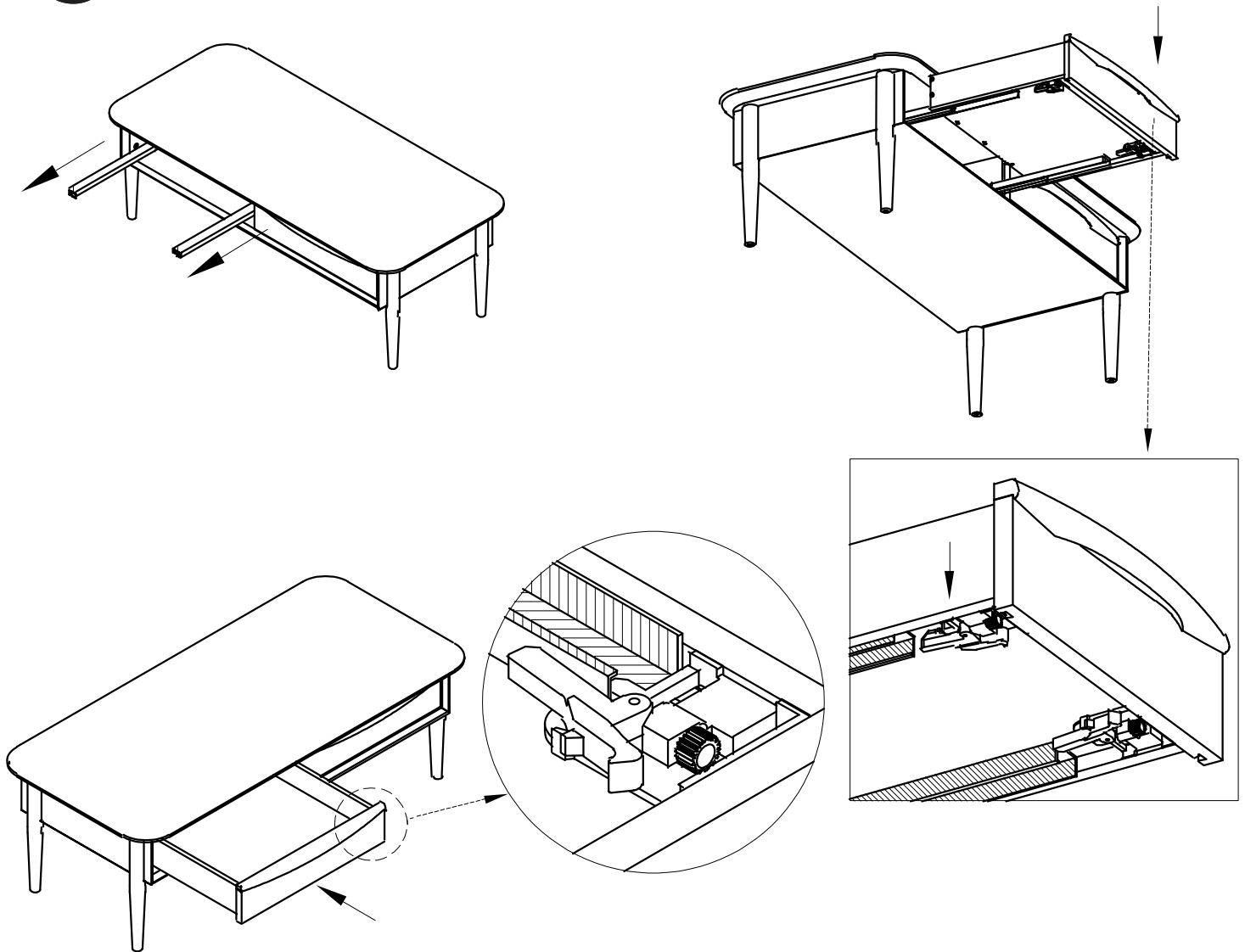
! Pull the drawer glides out as assembling the back legs.



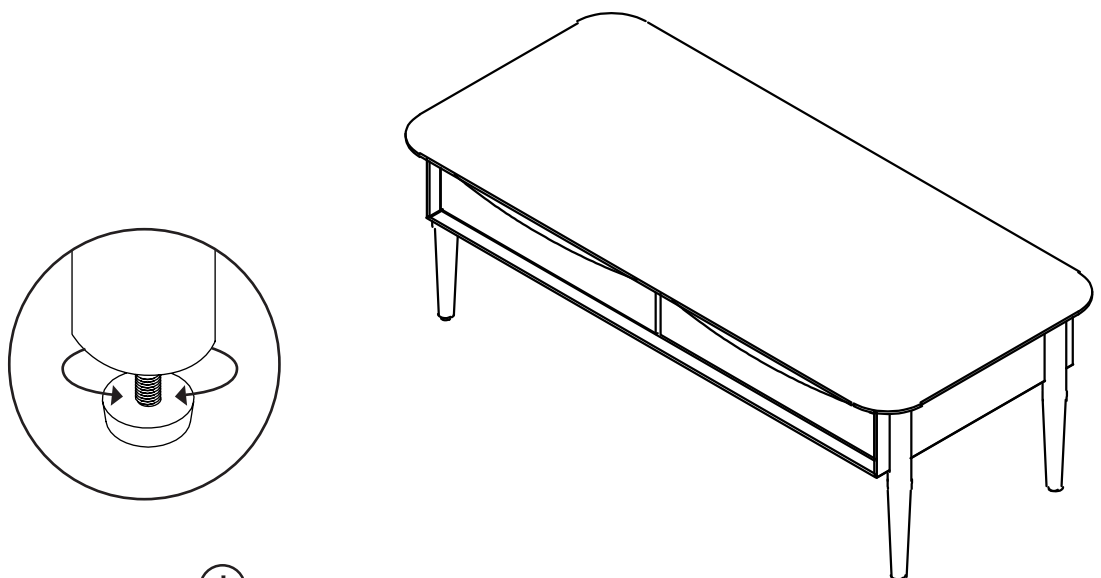
! Tighten 100%.

! Push the drawer glides inside the case as assembling the front legs.

3



4



! Adjust levelers as needed.

# FIX A CROOKED DRAWER

