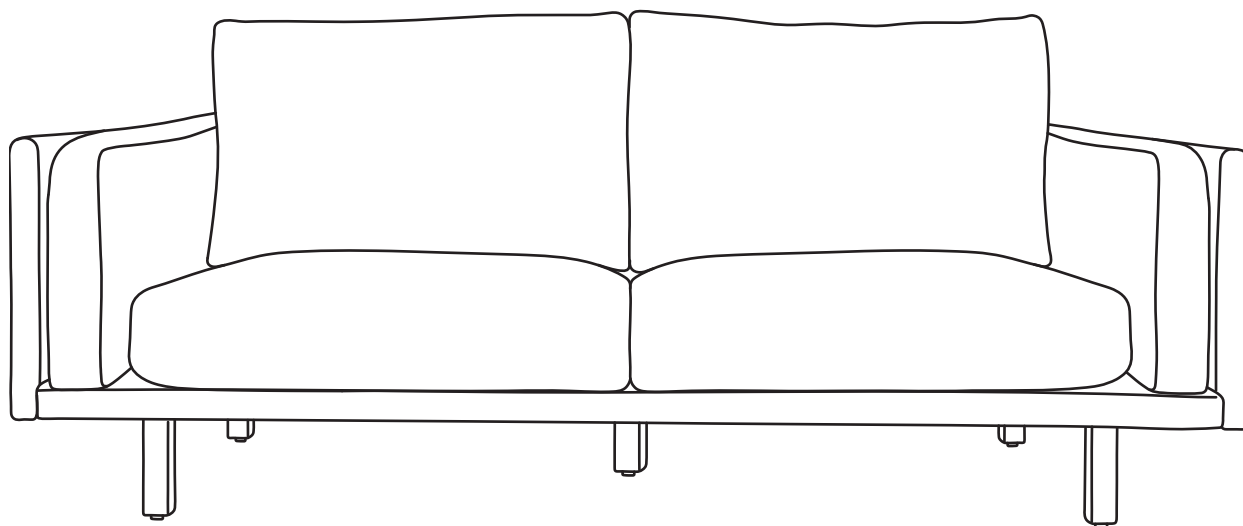


ARTICLE.

VERSION 1.0

Assembly Instructions



EMERSON

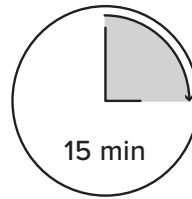
Sofa

ASSEMBLY INSTRUCTIONS

Read these instructions carefully and keep for future reference. Refer to parts inventory for guidance, and ensure you have all pieces before starting.

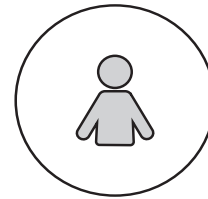
When assembling, place all parts on a soft, clean, and flat surface such as a carpet to prevent scratches.

If you're having difficulty, our friendly Customer Care team is always here to help. Call us at **1.888.746.3455** during business hours, email service@article.com or chat live at [article.com](https://www.article.com).

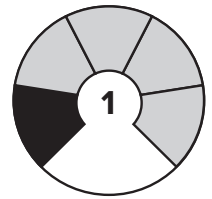


15 min

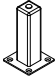
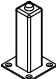


TIME



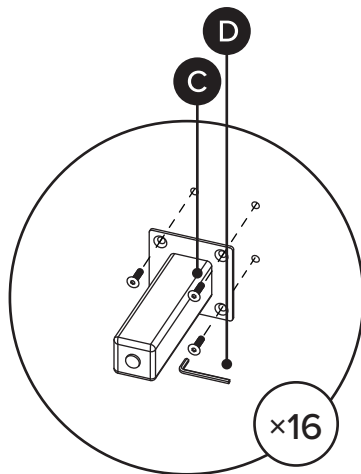
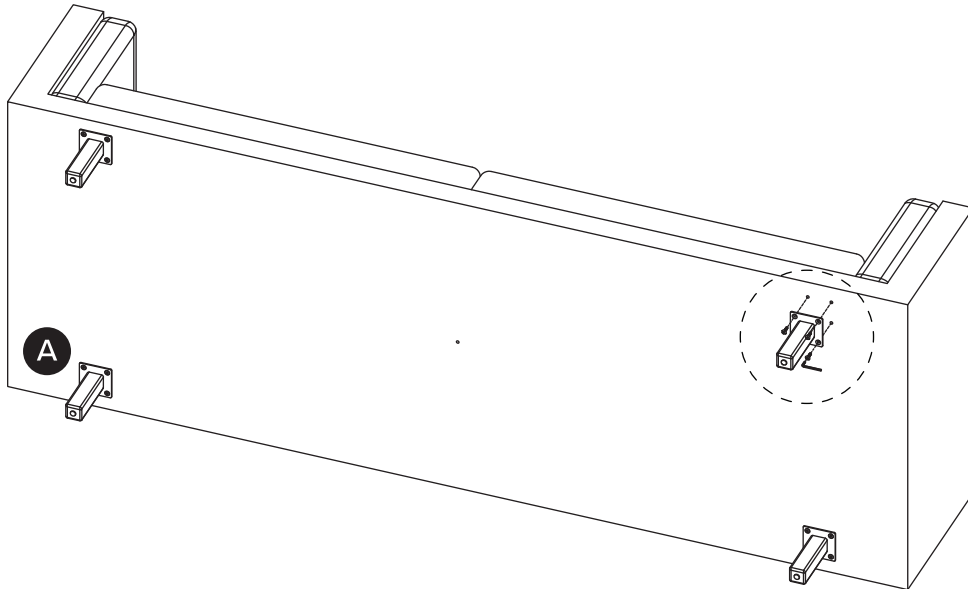
OF PEOPLE



DIFFICULTY

PARTS INVENTORY		
ID	DESCRIPTION	QTY
A	SIDE LEG 	4
B	CENTER LEG 	1
C	M6 x 40MM BOLT 	20
D	ALLEN KEY 	1

1

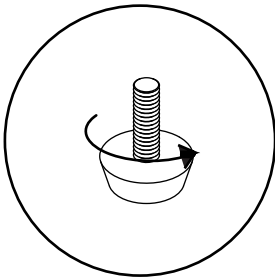


! Fully tighten all bolts once legs are aligned properly.

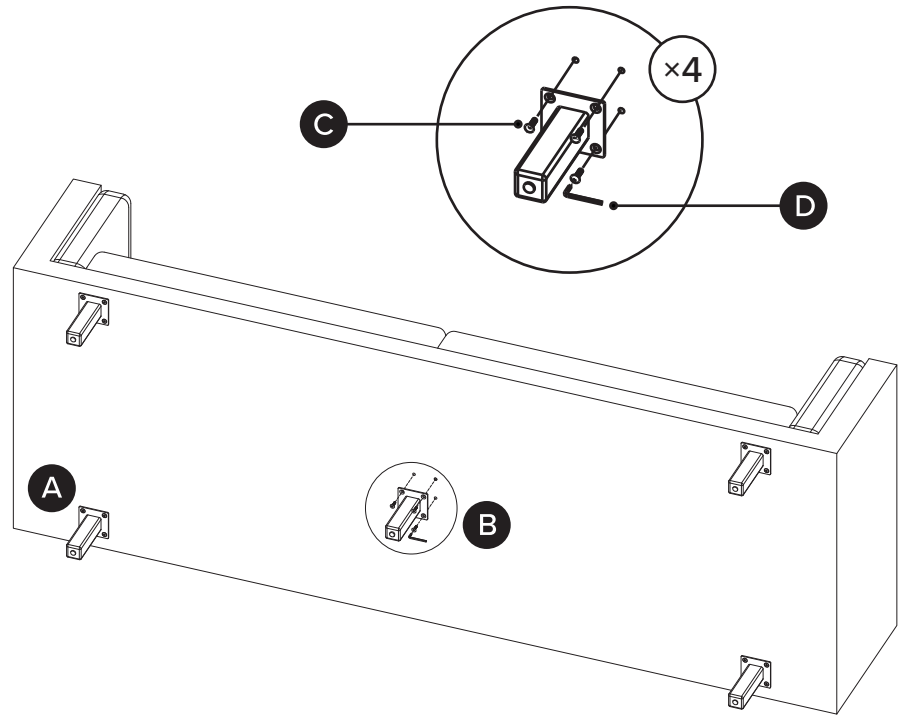
2



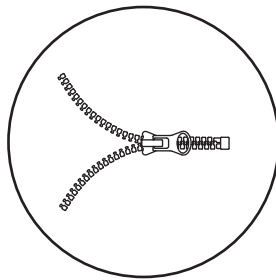
! Fully tighten all bolts once legs are aligned properly.



! Adjust leveler as needed.



3



! Connect the back cushions to the sofa with zippers.

