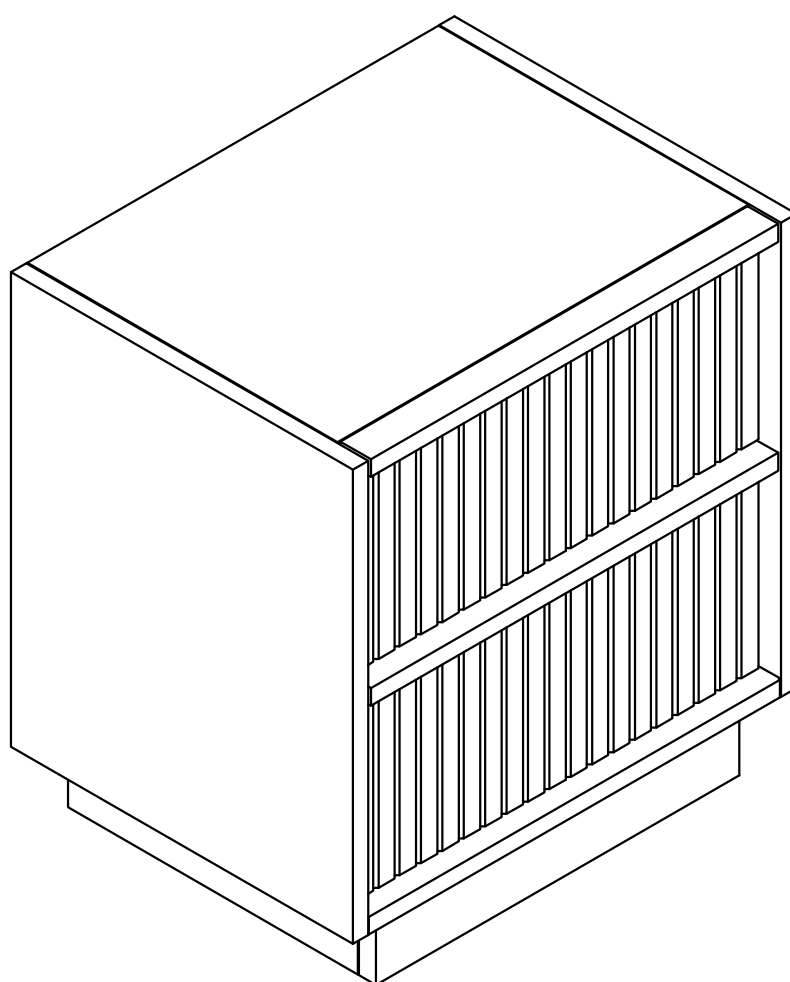


# ARTICLE.

VERSION 1.0

## Assembly Instructions



# KOUVA

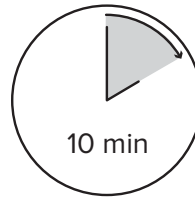
2-Drawer Nightstand

### ASSEMBLY INSTRUCTIONS

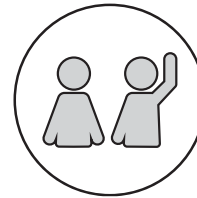
Read these instructions carefully and keep for future reference. Refer to parts inventory for guidance, and ensure you have all pieces before starting.

When assembling, place all parts on a soft, clean, and flat surface such as a carpet to prevent scratches.

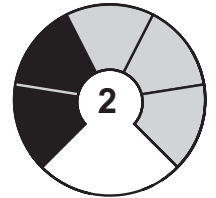
If you're having difficulty, our friendly Customer Care team is always here to help. Call us at **1.888.746.3455** during business hours, email [service@article.com](mailto:service@article.com) or chat live at [article.com](http://article.com).



TIME



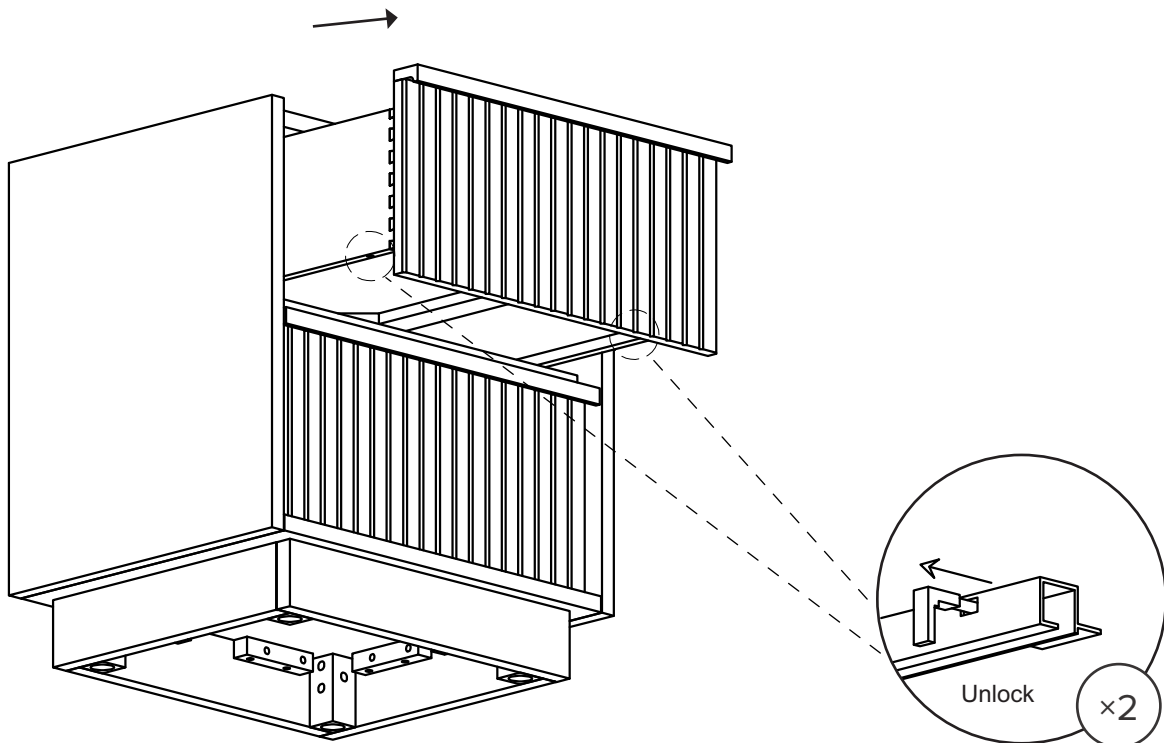
# OF PEOPLE

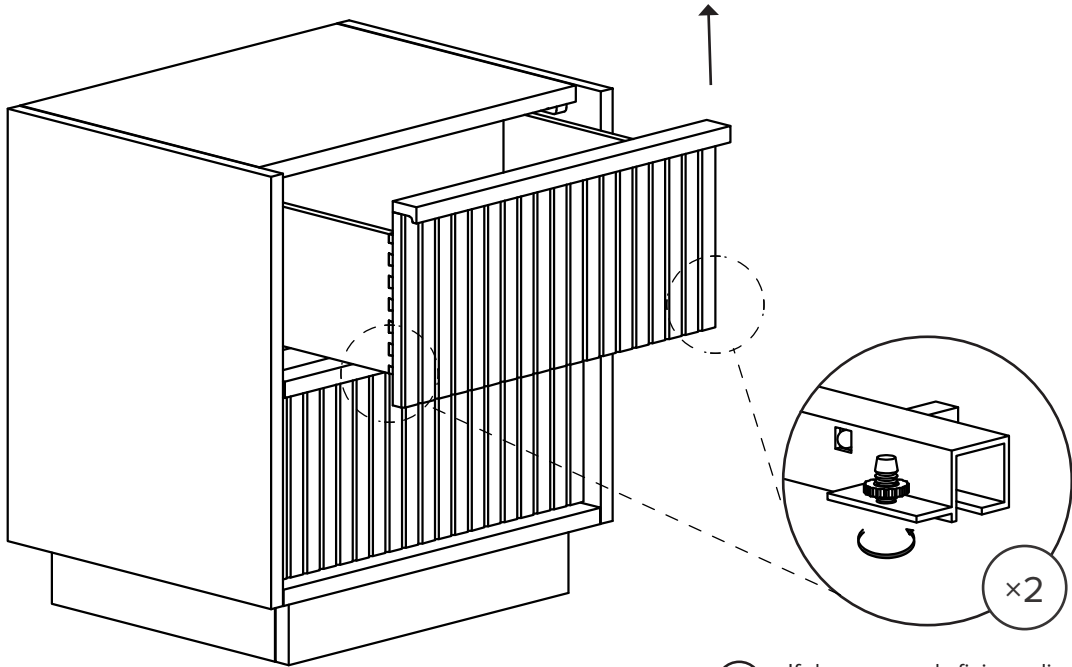


DIFFICULTY

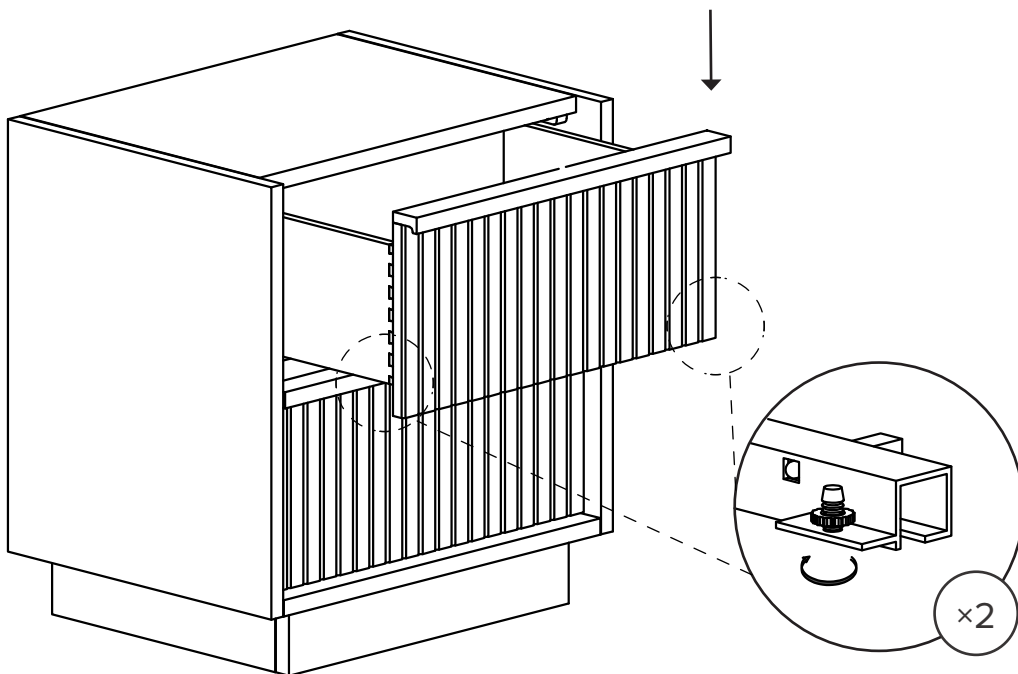
**!** During shipping, the drawers may have shifted slightly. This can easily be corrected as below instructions. Always start by adjusting on the affected drawers.

### FIX A CROOKED DRAWER

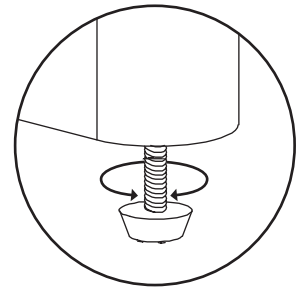
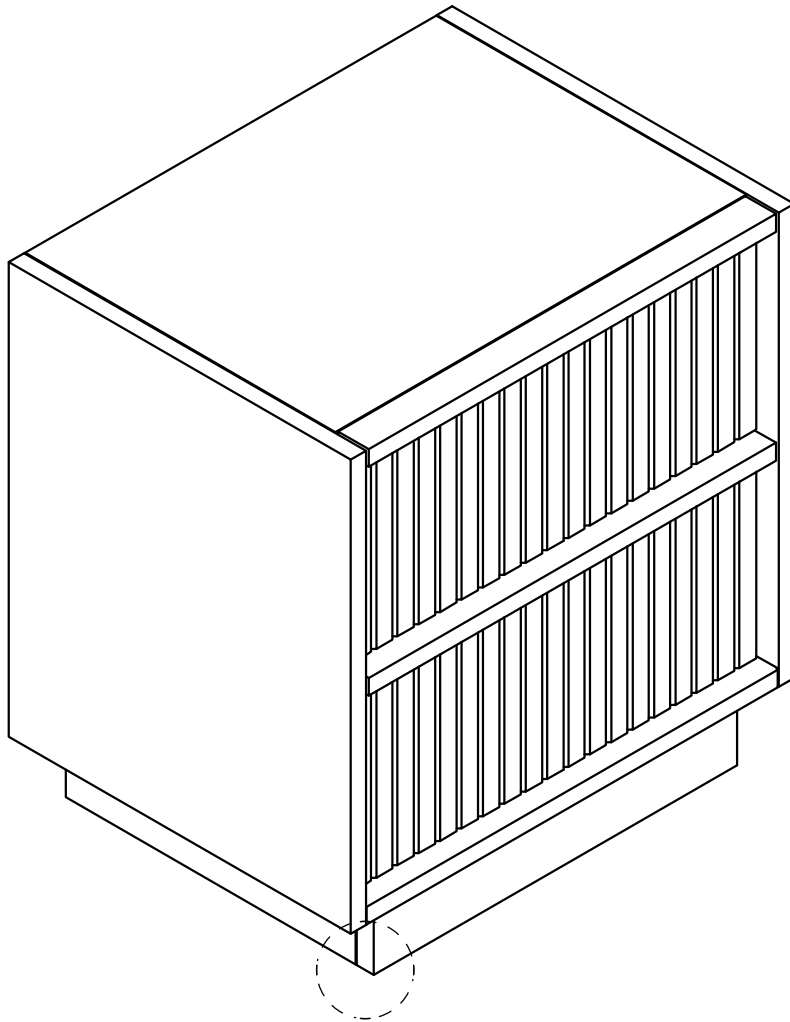




! If drawer needs fixing adjust the drawer up



! If drawer needs fixing adjust the drawer down.



! Adjust levelers as needed.