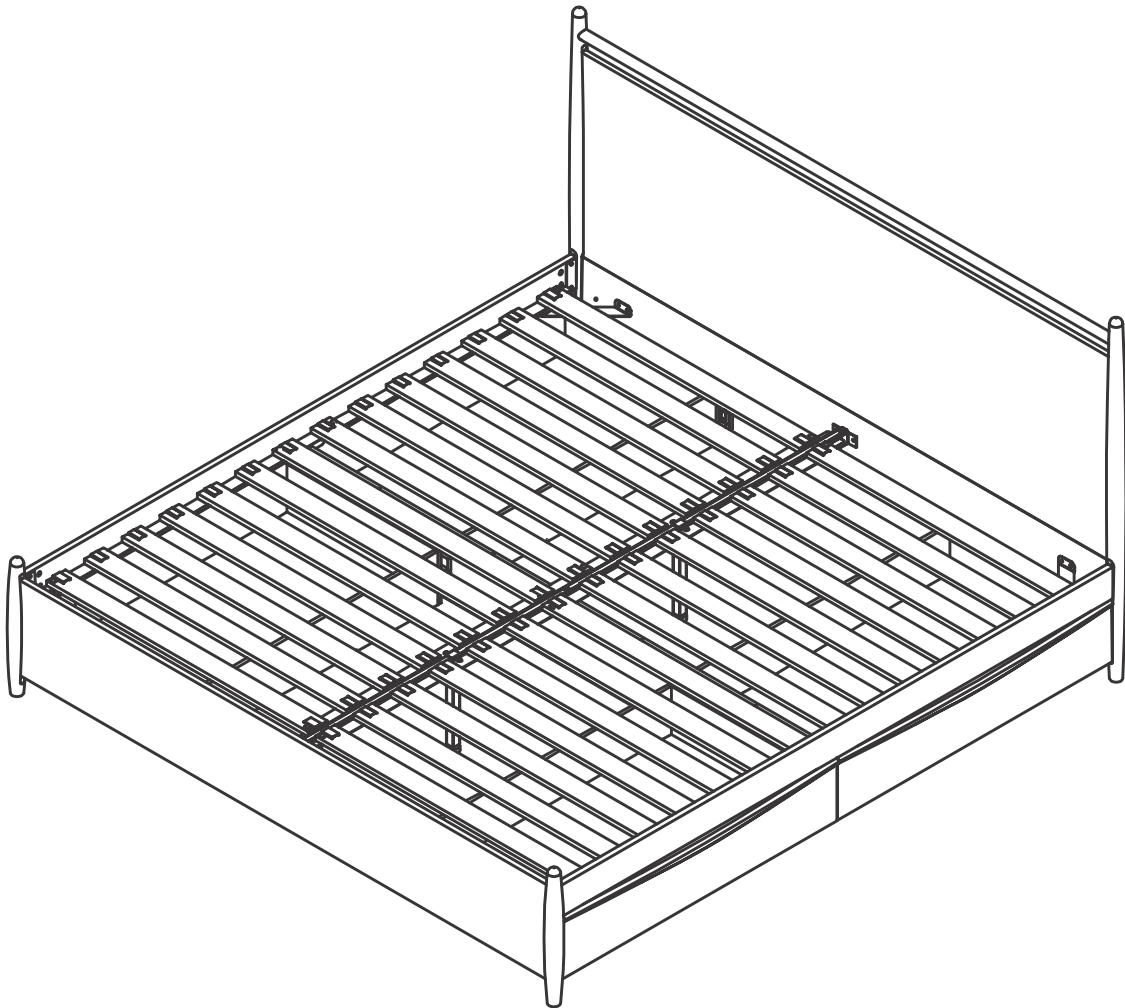


ARTICLE.

VERSION 1.0

Assembly Instructions



LENIA

King/Queen Panel Storage Bed

ASSEMBLY INSTRUCTIONS

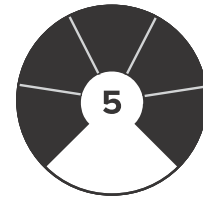
Read these instructions carefully and keep for future reference. Refer to parts inventory for guidance, and ensure you have all pieces before starting.

When assembling, place all parts on a soft, clean, and flat surface such as a carpet to prevent scratches.

If you're having difficulty, our friendly Customer Care team is always here to help. Call us at **1.888.746.3455** during business hours, email service@article.com or chat live at [article.com](https://www.article.com).



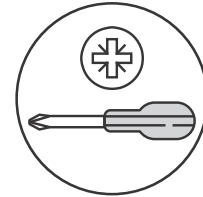
TIME



DIFFICULTY



OF PEOPLE



REQUIRED TOOL
Pozidriv 2 screwdriver

! Please ensure products are laid on a smooth and soft surface while assembling in order to avoid unexpected scratches and dents.

PARTS INVENTORY		
ID	DESCRIPTION	QTY
1	HEADBOARD	1
2	FOOTBOARD	1
3	LEFT SIDE RAIL	1
4	RIGHT SIDE RAIL	1
5	SLATS	2
6	DRAWER 1	2
7	DRAWER 2	2

PARTS INVENTORY CONT.		
ID	DESCRIPTION	QTY
8	MIDDLE BOARD	1
9	MIDDLE RAIL	2
10	LEG	2
11	CENTER BEAM	1
12	CENTER BEAM LEG	2
13	CORNER BRACKET	4
14	BOTTOM RAIL	4

ASSEMBLY INSTRUCTIONS

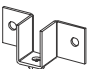
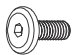
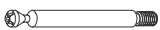



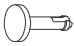
Read these instructions carefully and keep for future reference. Refer to parts inventory for guidance, and ensure you have **all** pieces before starting.


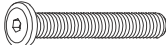

When assembling, place **all** parts on a soft, clean, and flat surface such as a carpet to prevent scratches.

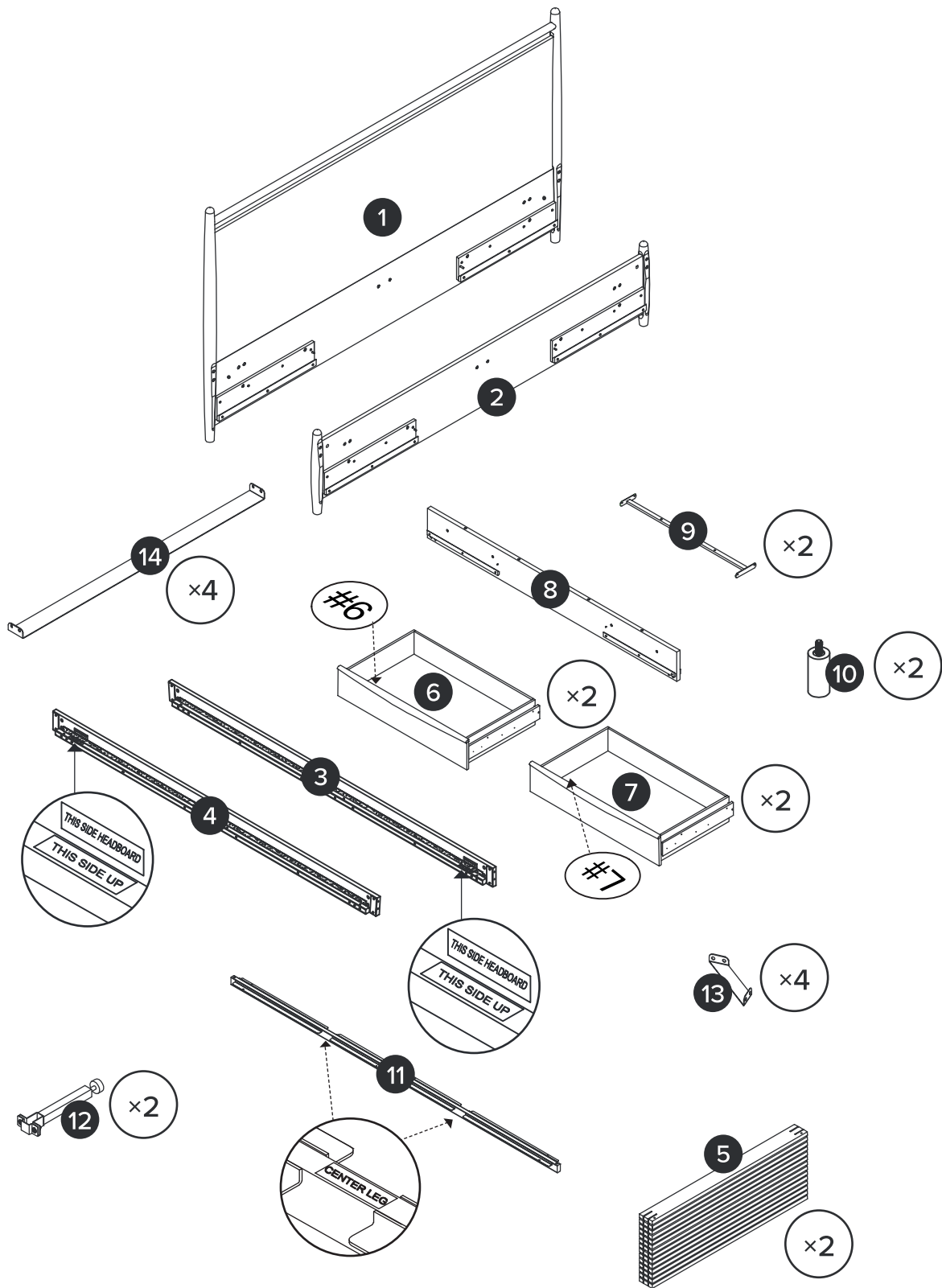
If you're having difficulty, our friendly Customer Care team is always here to help. Call us at **1.888.746.3455** during business hours, email service@article.com or chat live at [article.com](https://www.article.com).

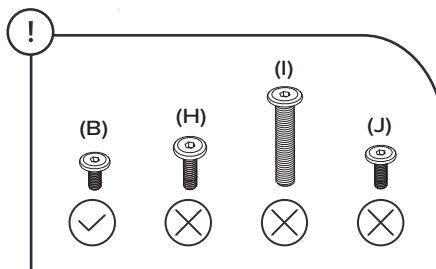
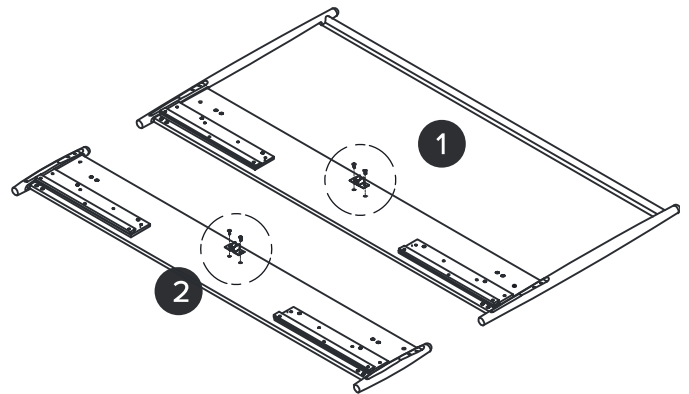
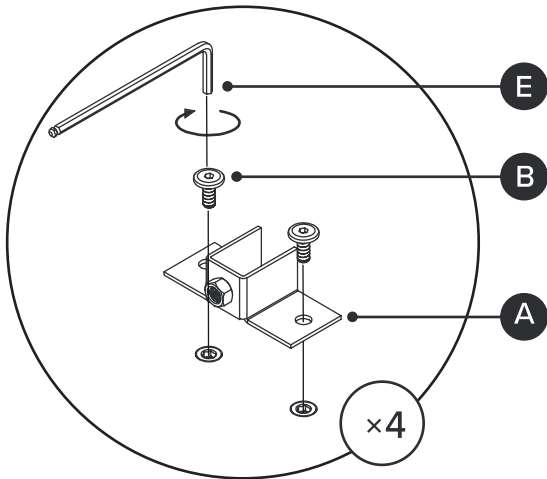
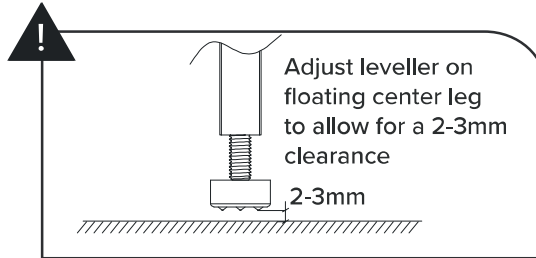


Structural integrity is warranted only if all fasteners are properly installed & tightened, and the bed is moved only per instructions.

HARDWARE INVENTORY			
ID	DESCRIPTION		QTY
A	CENTER BEAM BRACKET		2
B	M6 x 15MM BOLT		44
C	COMPRESSION FITTING ANCHOR		8
D	M8 x 8MM BOLT		8
E	ALLEN KEY		1
F	FELT STICKER		6
G	PLUG		12

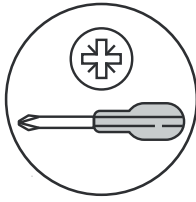
HARDWARE INVENTORY CONT.			
ID	DESCRIPTION		QTY
H	M8 x 30MM BOLT		4
I	M8 x 50MM BOLT		3
J	M6 x 20MM BOLT		16



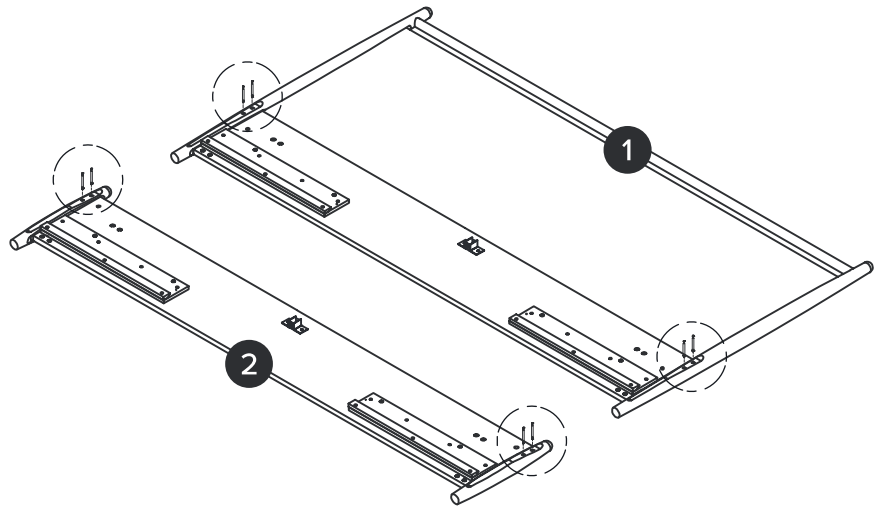
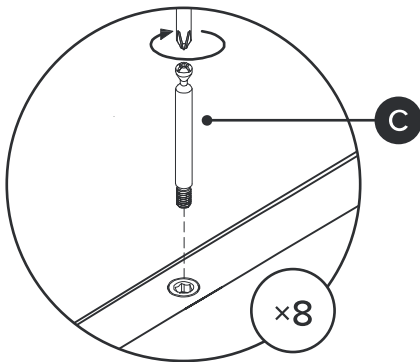


! Use 4 of the shortest bolts (B) provided.

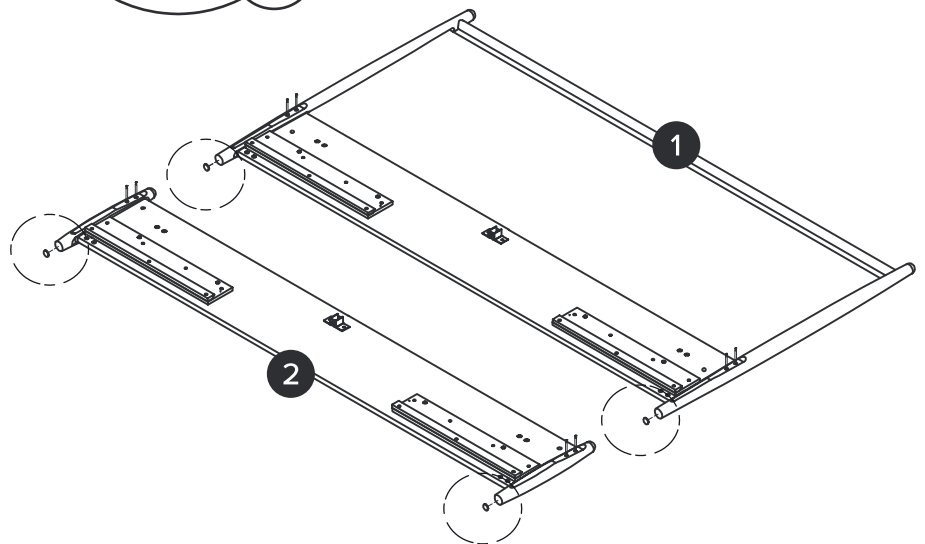
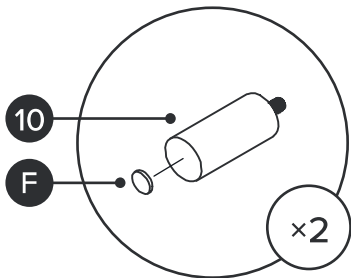
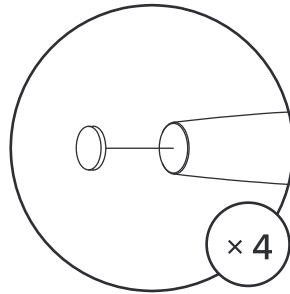
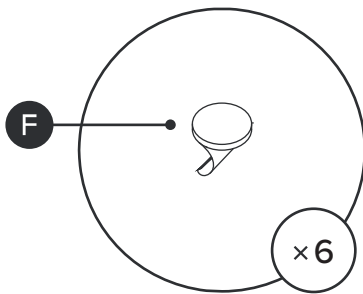
1B



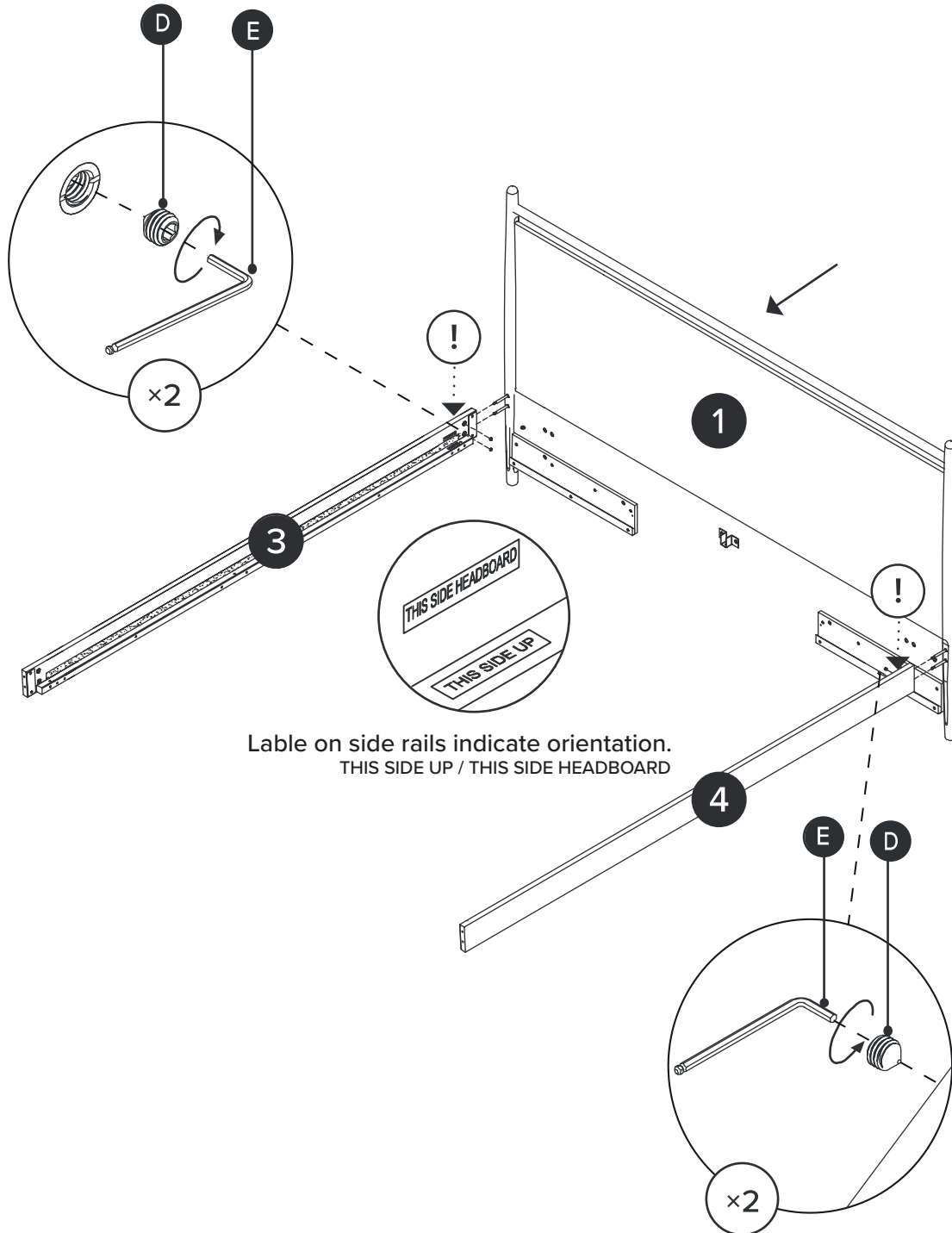
! NOT using power tool, only using the recommended hand tools.



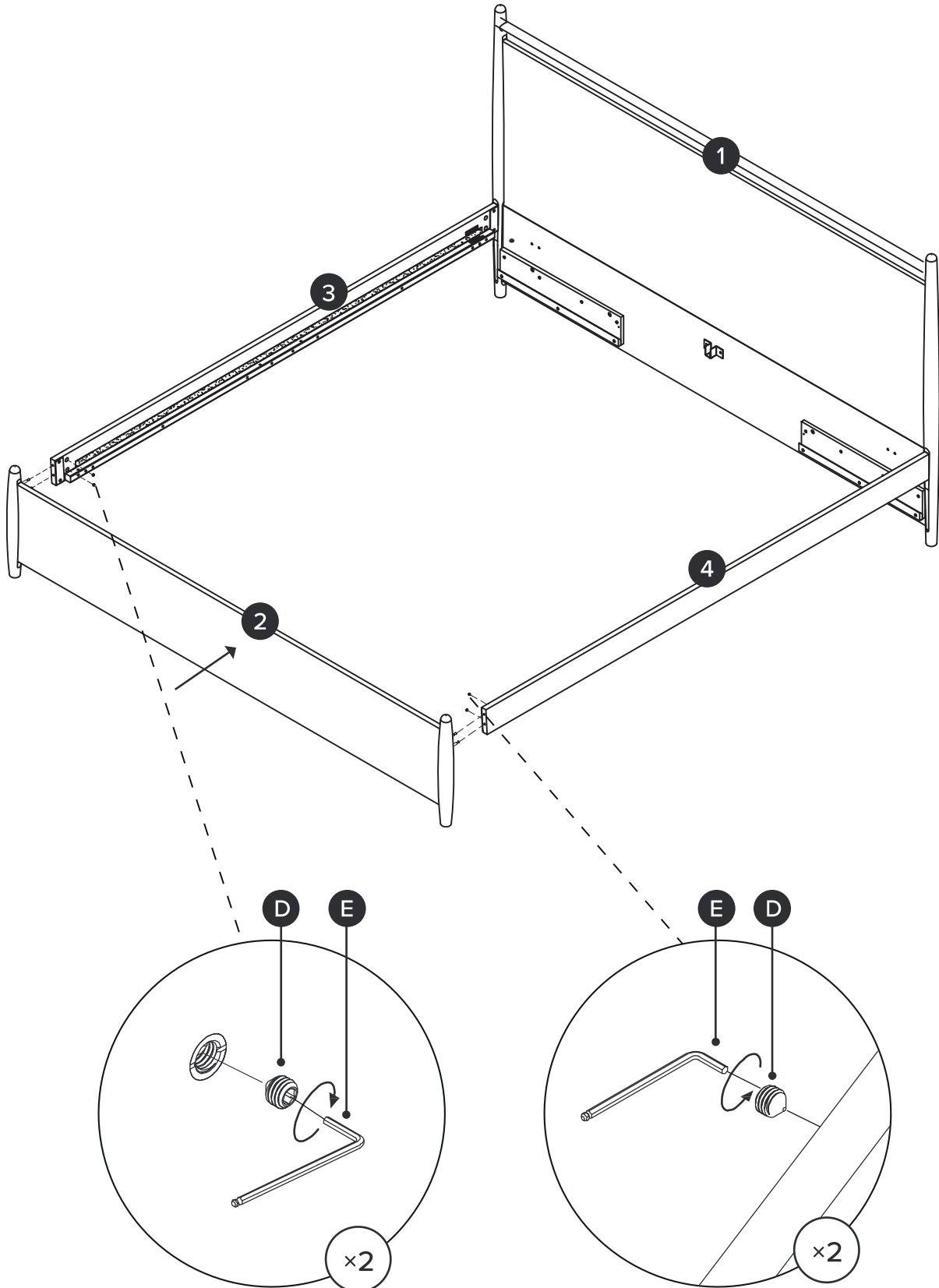
1C



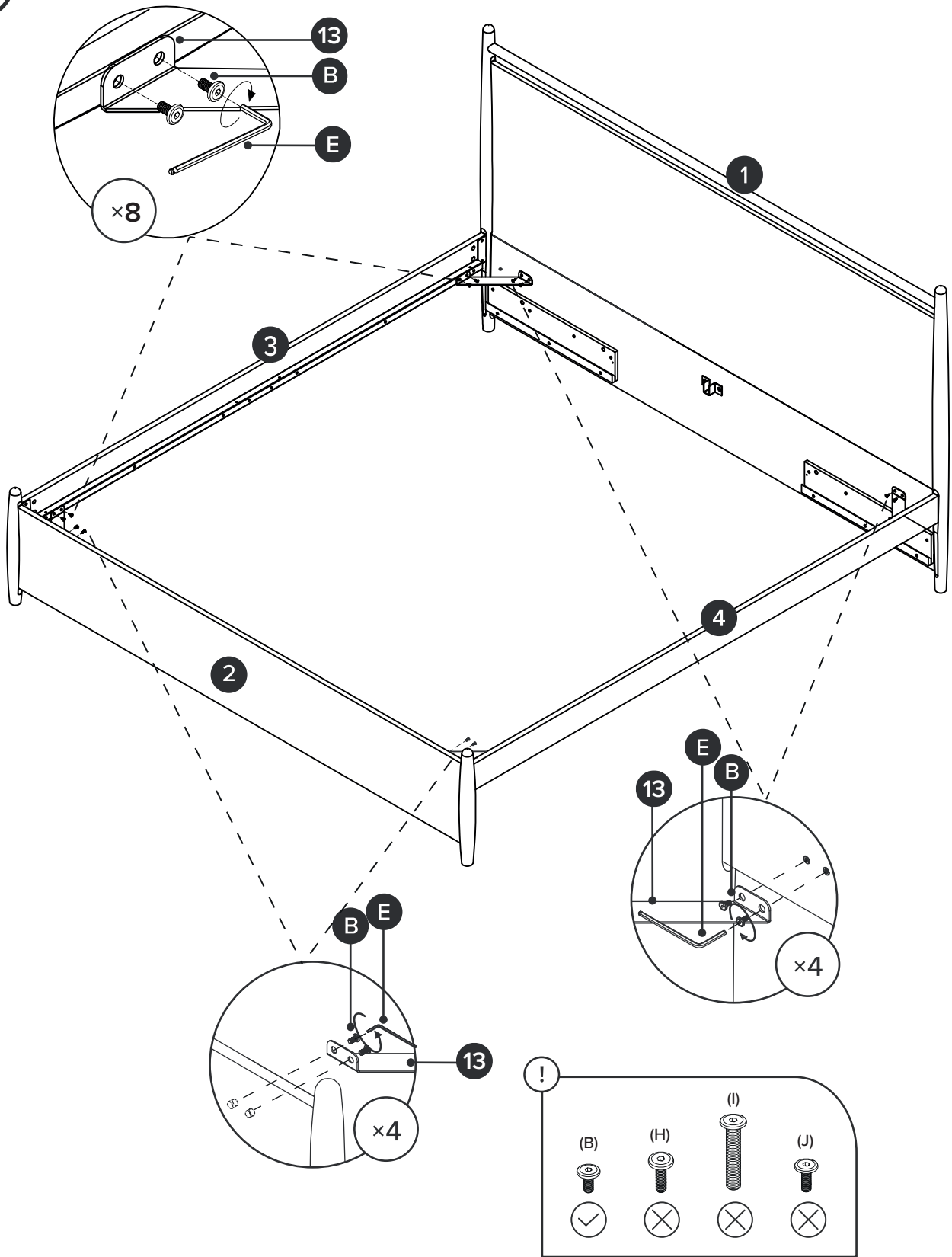
2A



2B

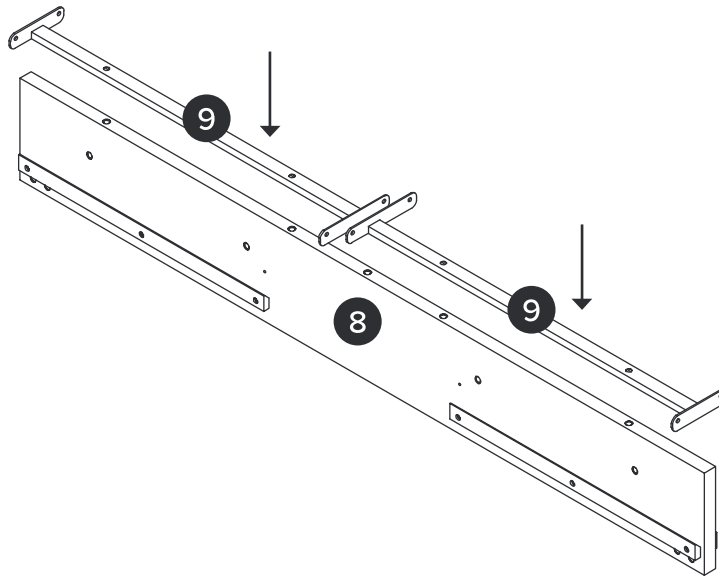


3

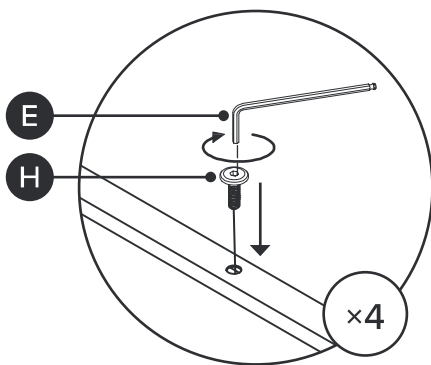


! Use 16 of the shortest bolts (B) provided.

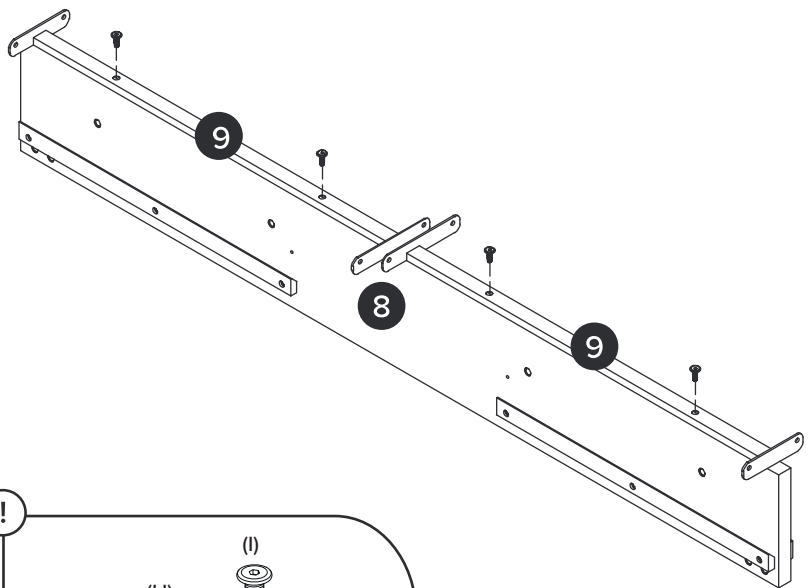
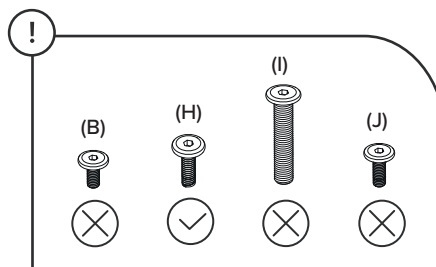
4A



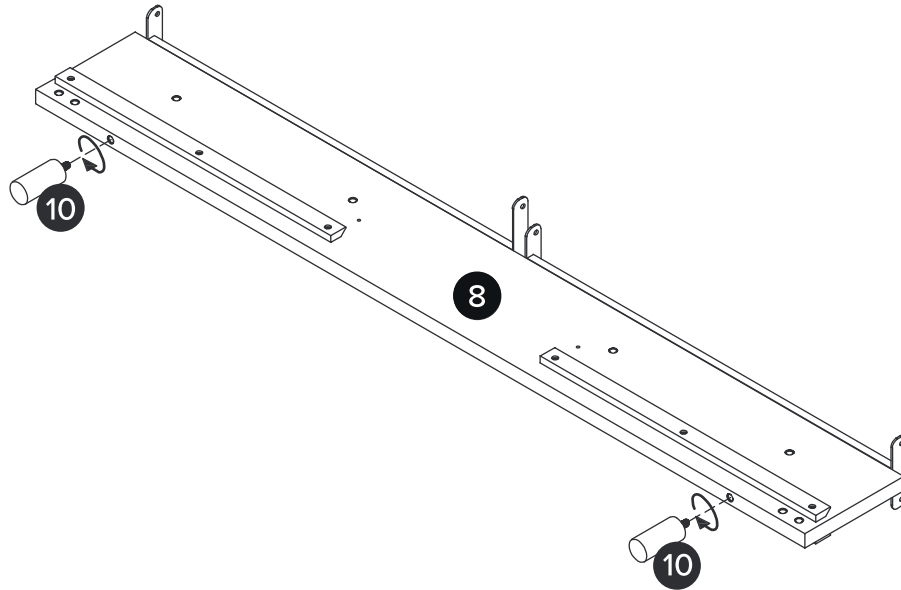
4B



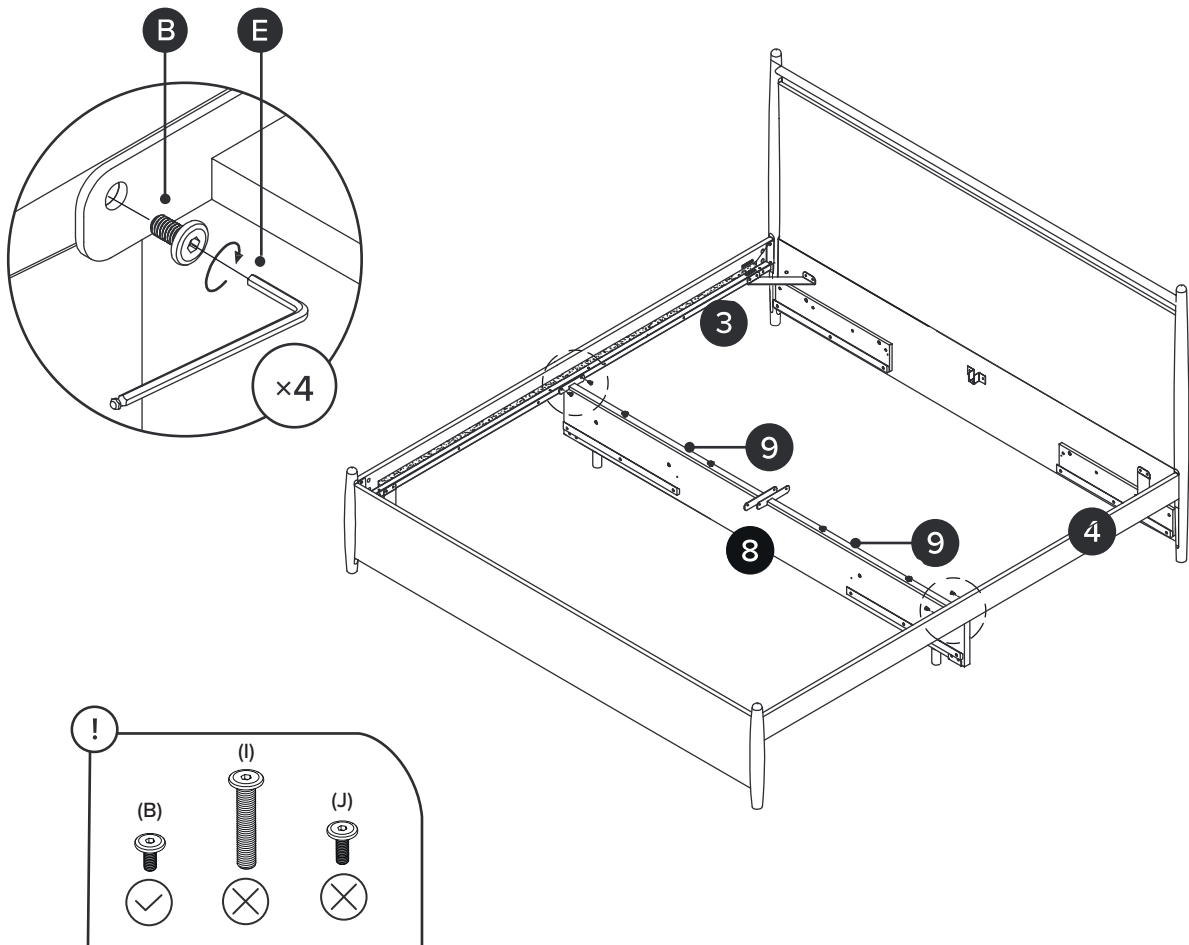
! Do not fully tighten.
Only 80 %



4C

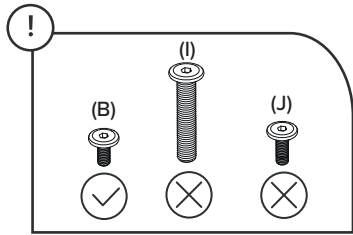


5A

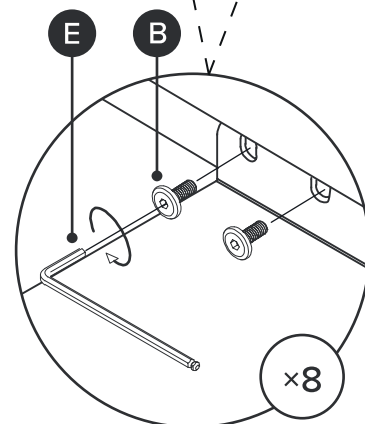
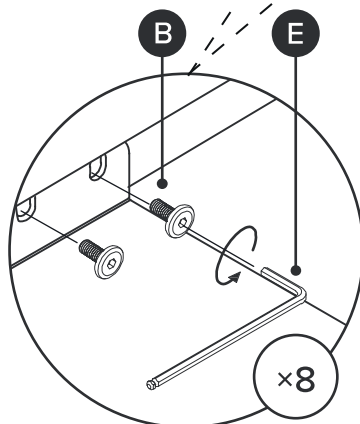
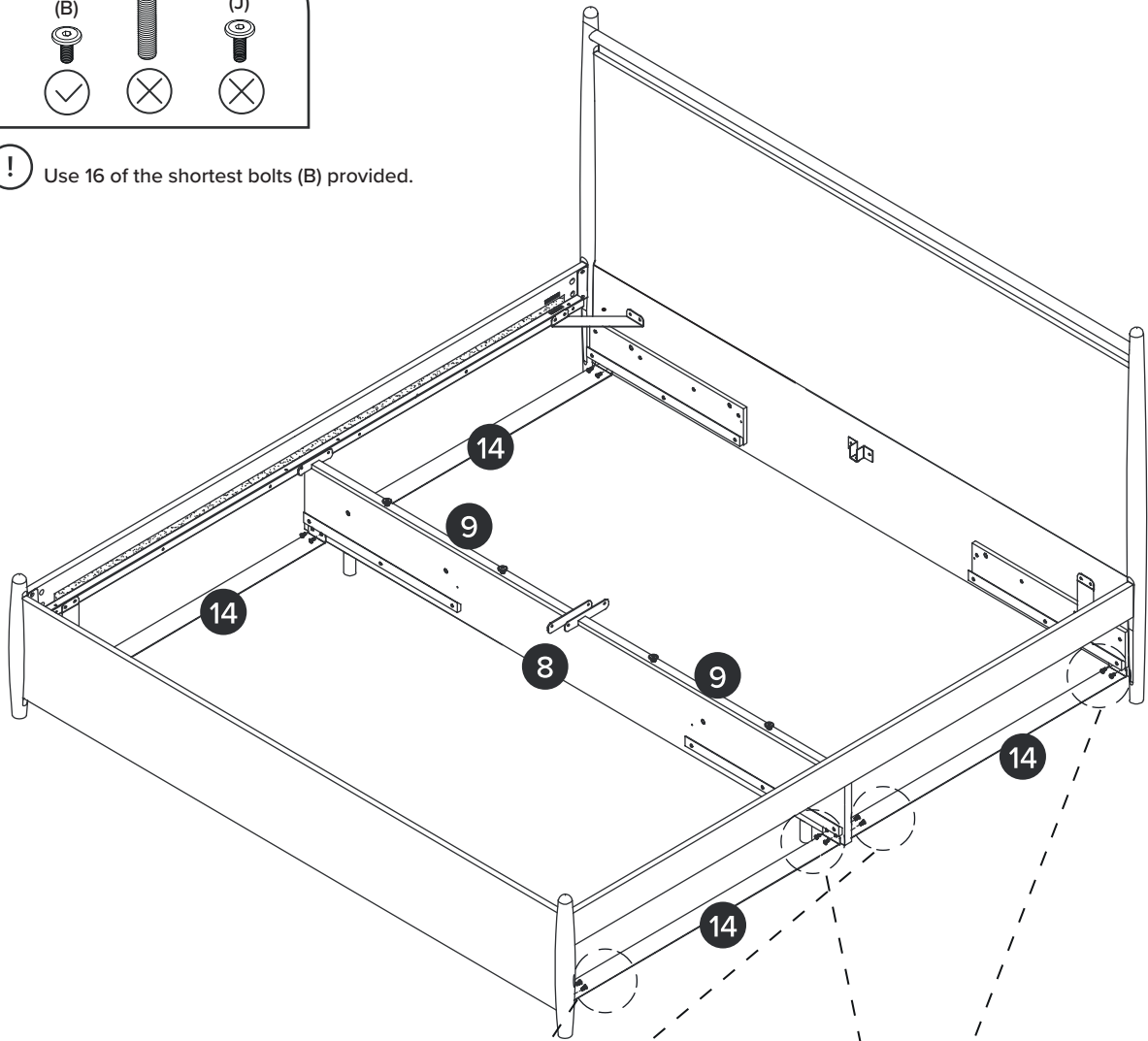


! Use 4 of the shortest bolts (B) provided.

5B

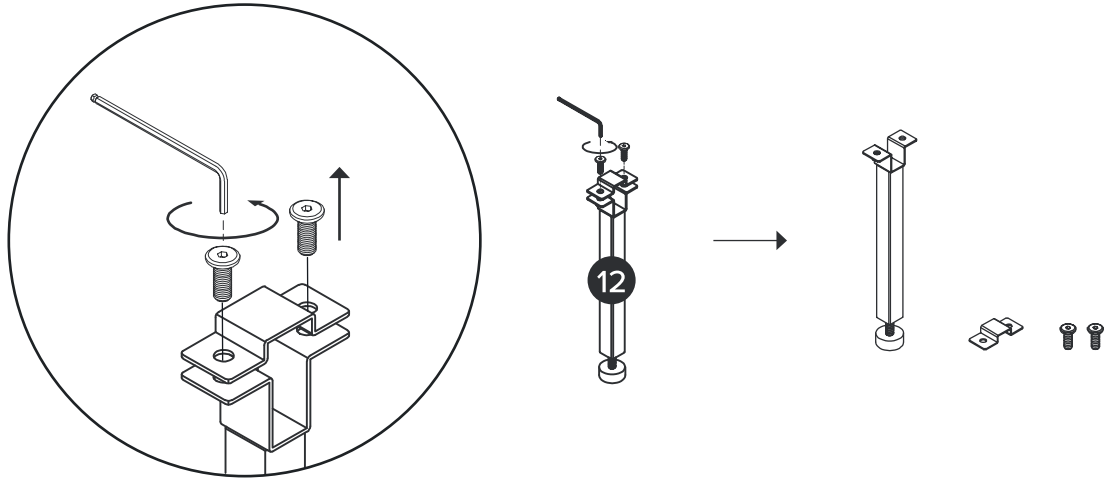


! Use 16 of the shortest bolts (B) provided.



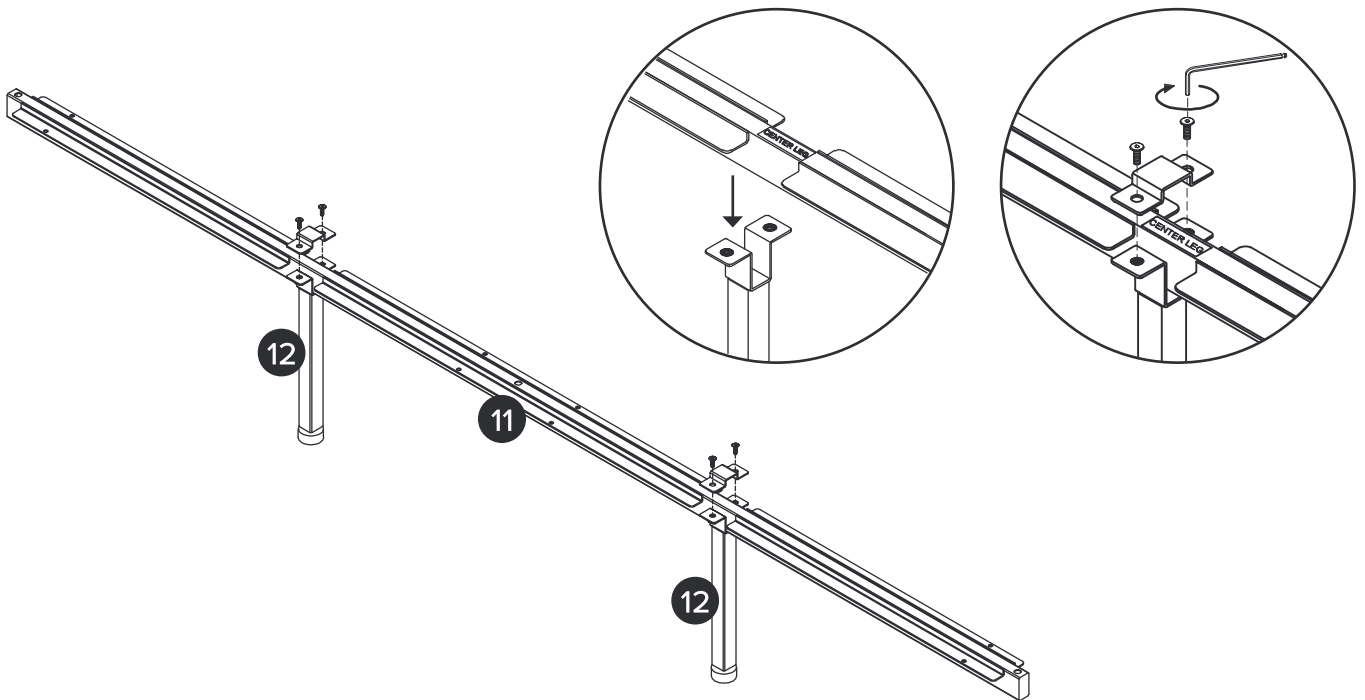
6A

Unscrew the bolts.

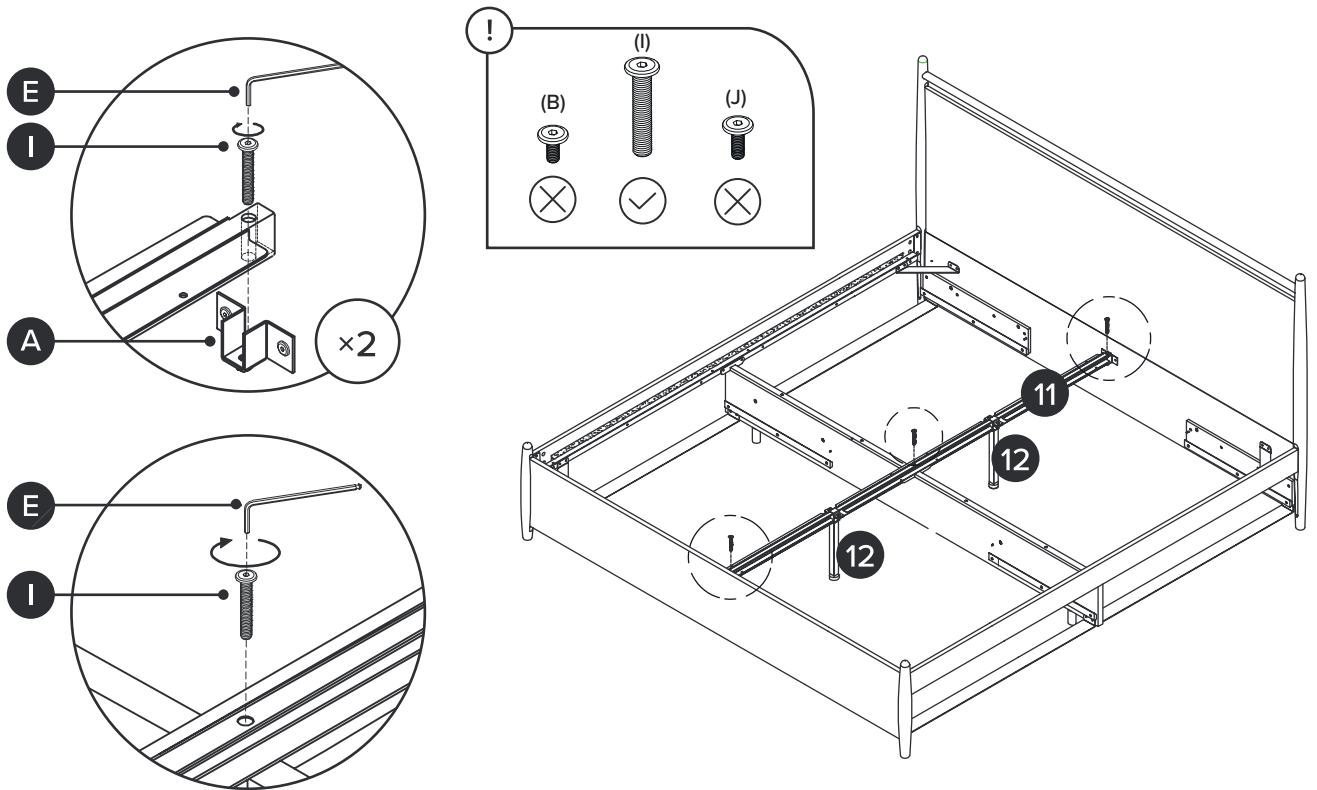


6B

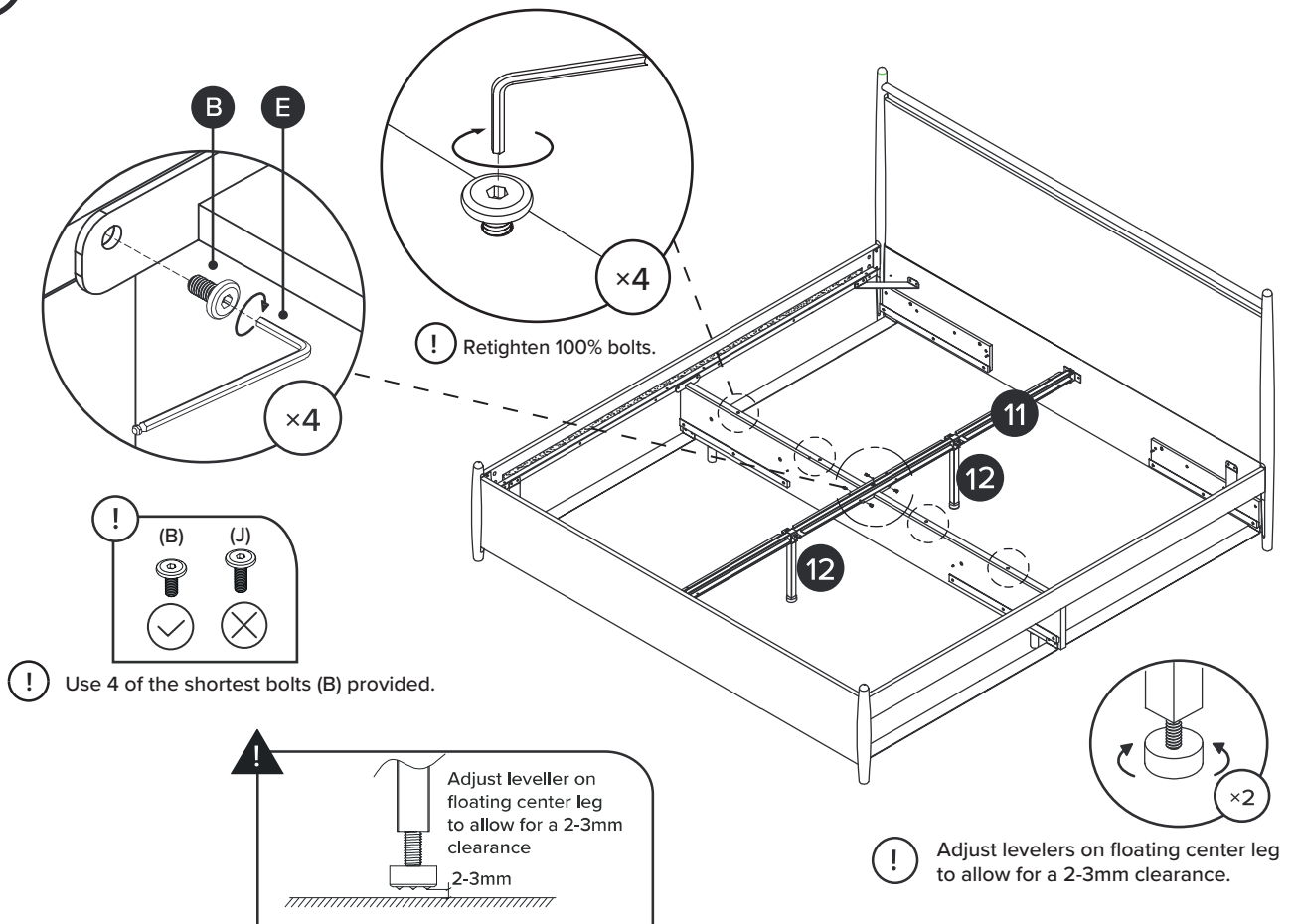
Attach center beam legs (12) to center beam (11) and tighten with the same bolts.



7A

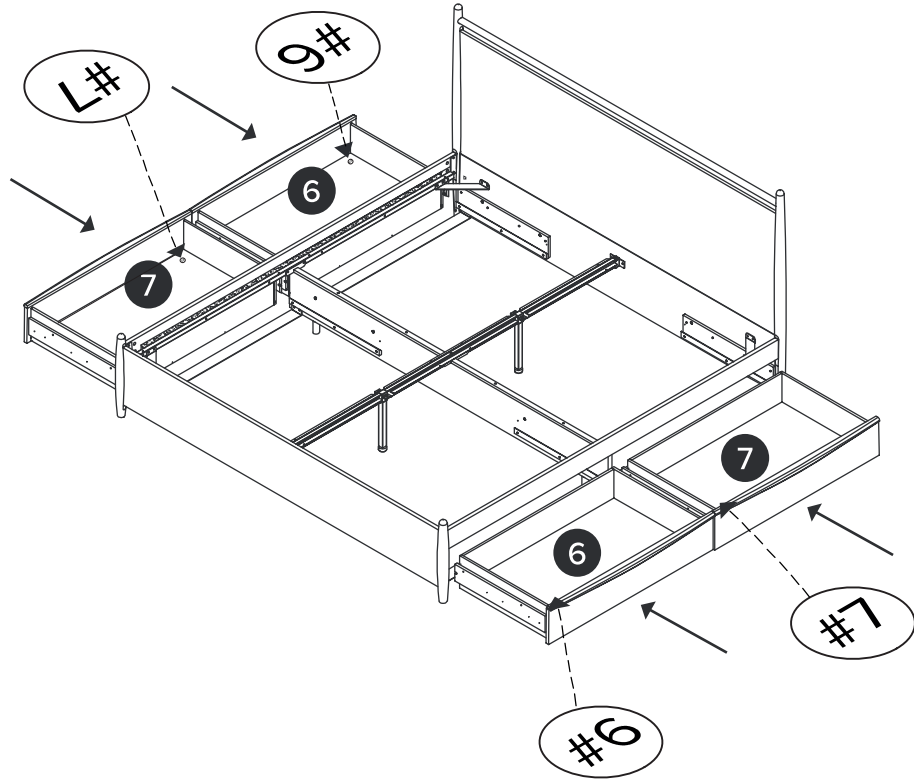


7B

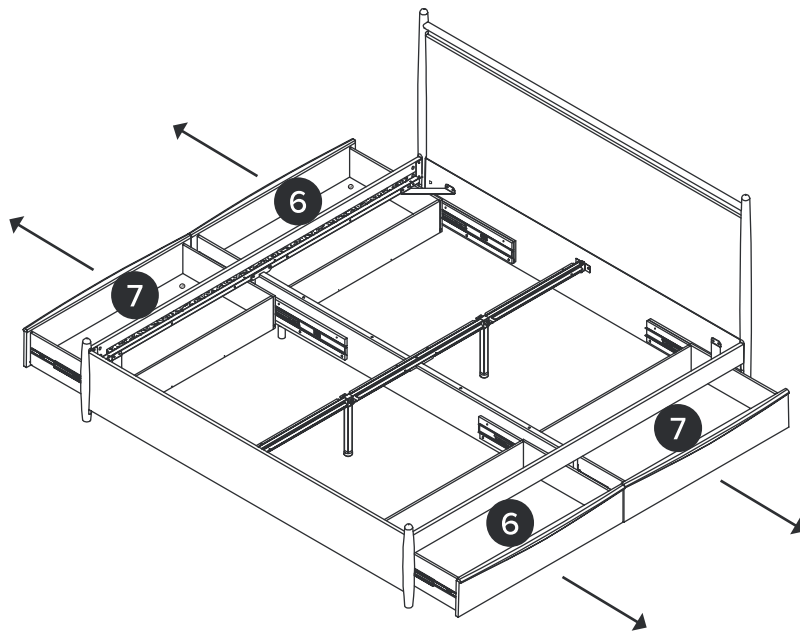


8A

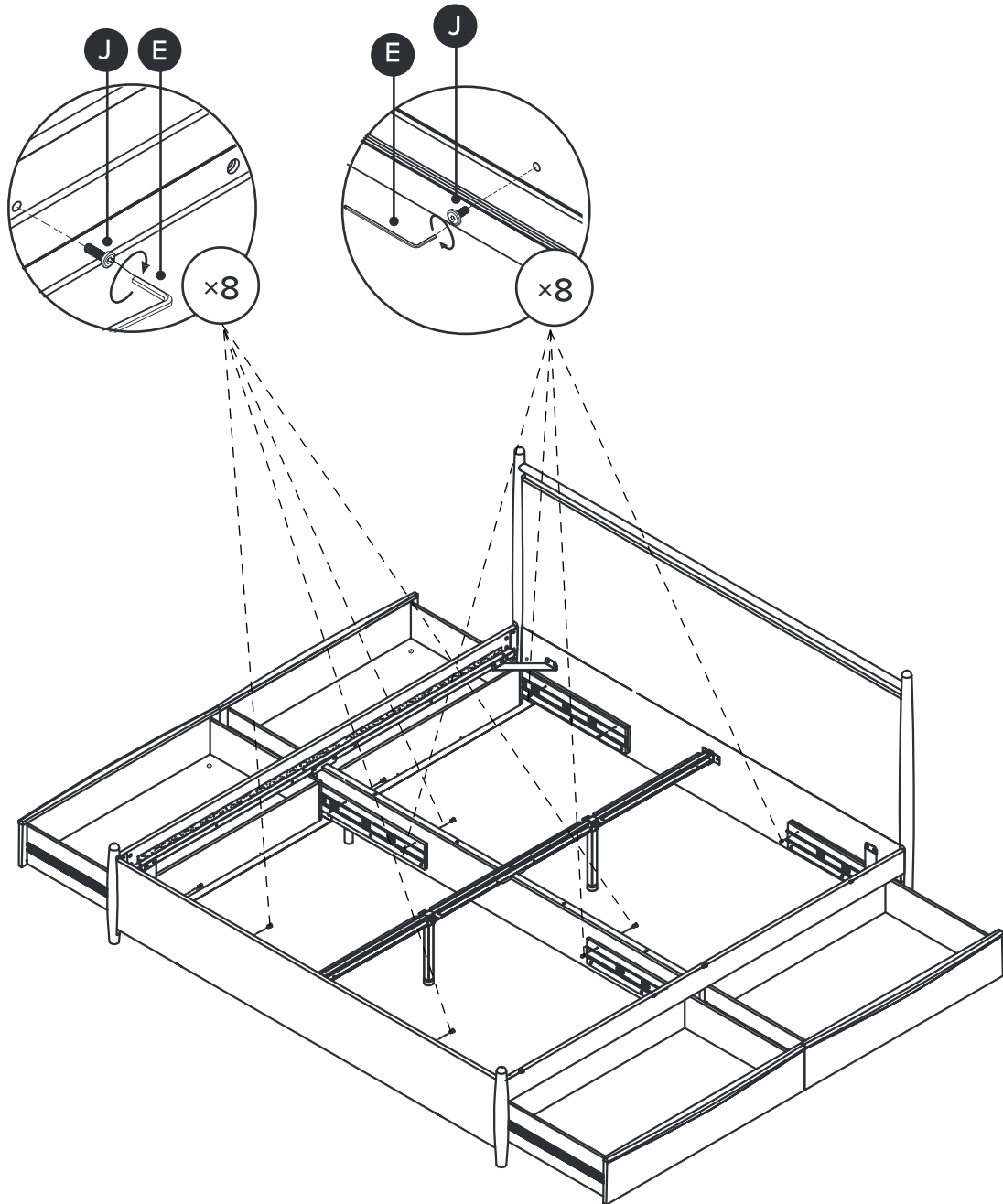
Push drawer boxes in the frame until stop.



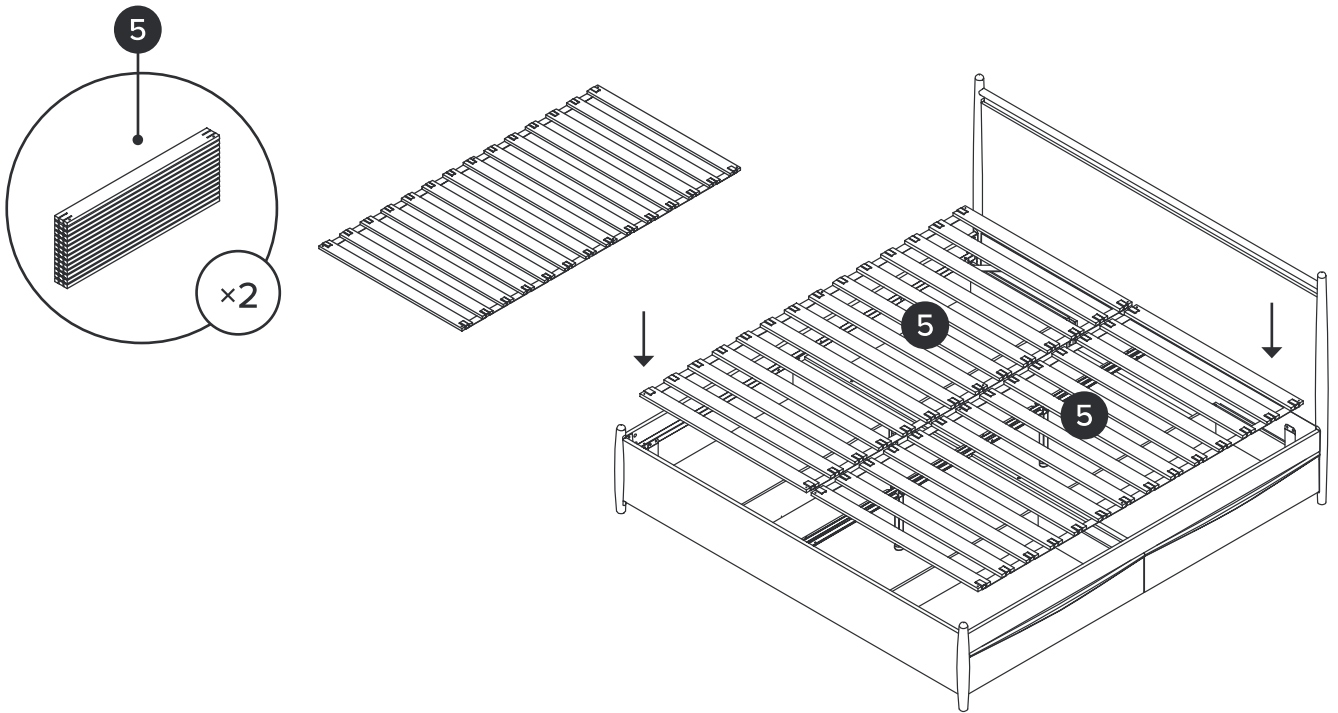
Pull out the drawers only to attach the bolts.



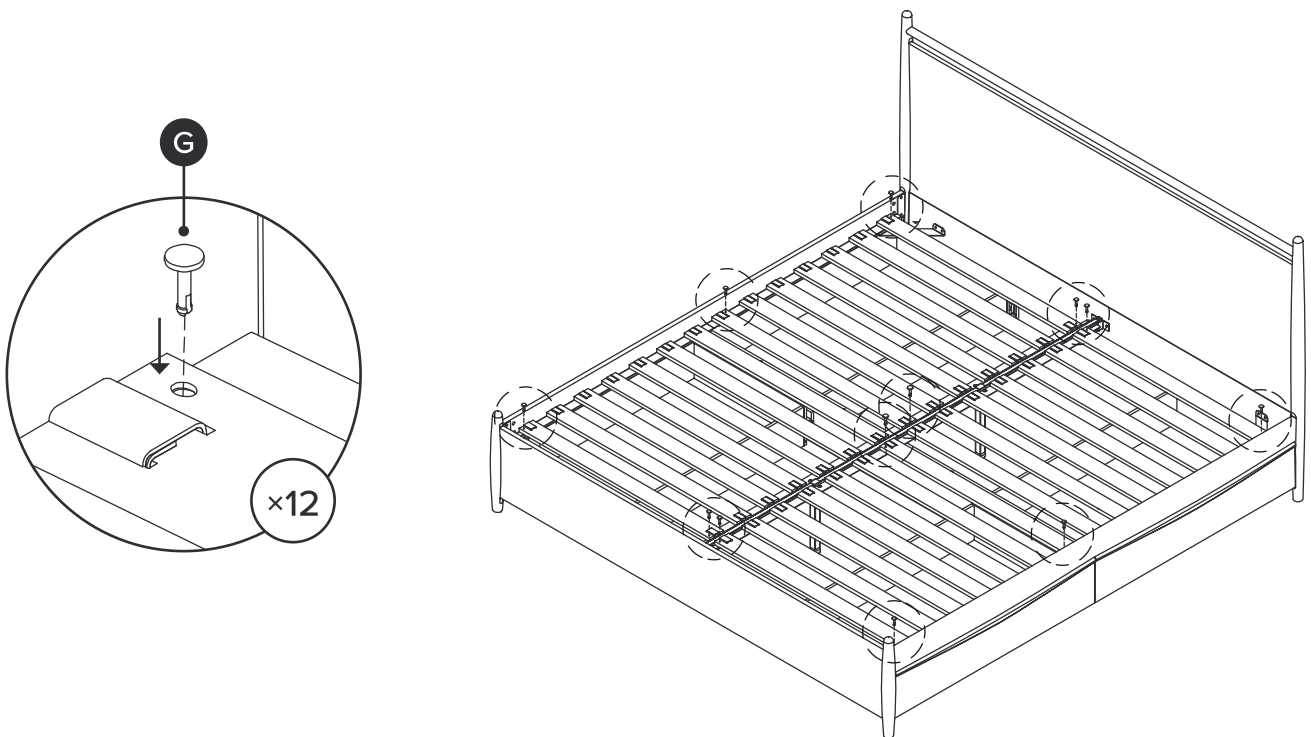
8B



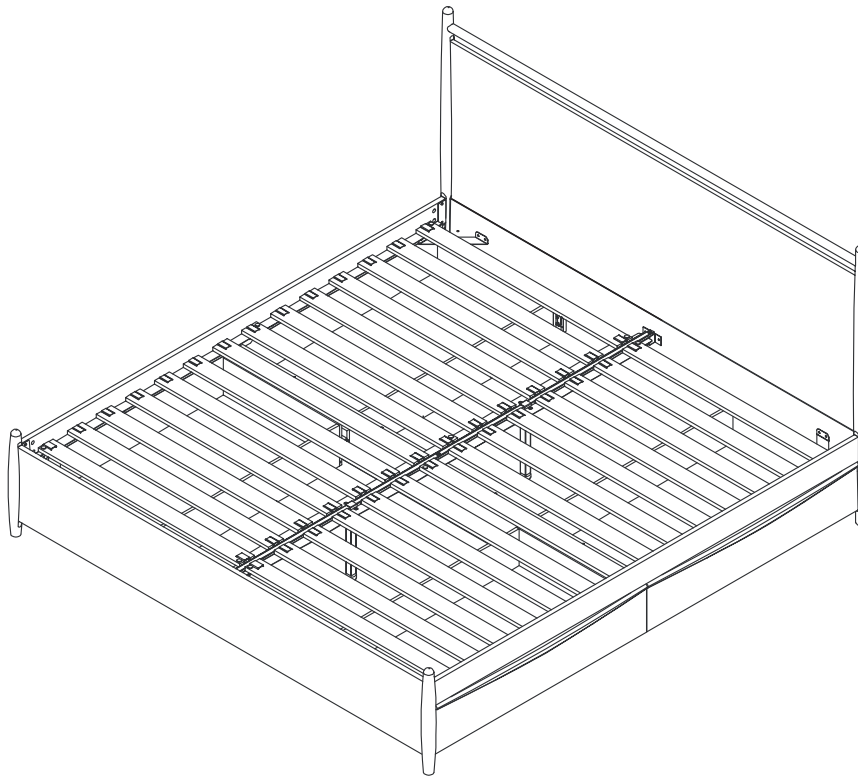
9A



9B



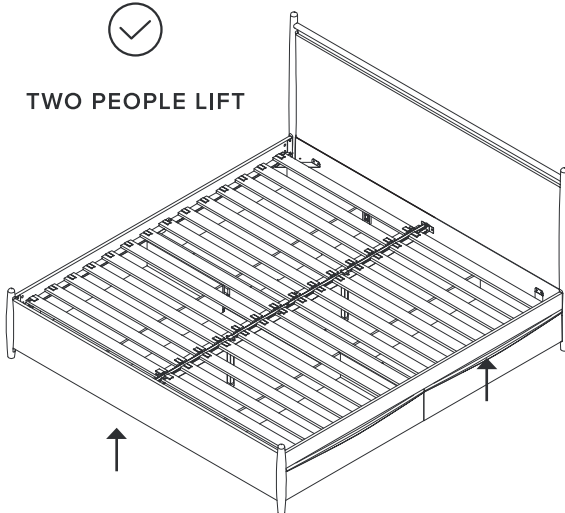
10A



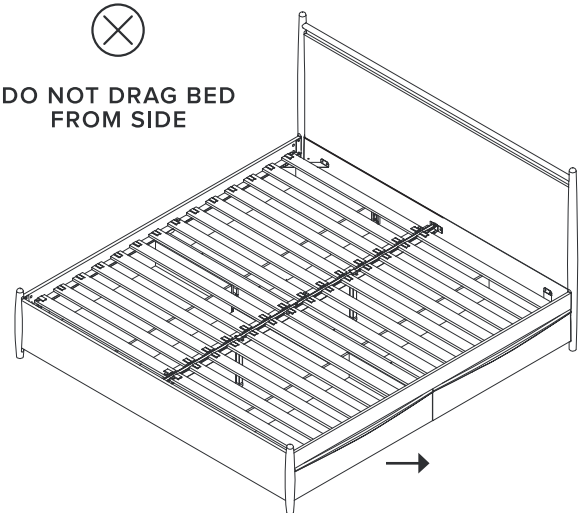
10B



TWO PEOPLE LIFT

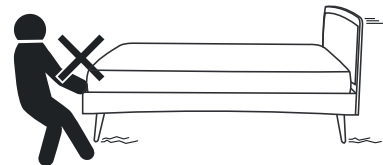


DO NOT DRAG BED FROM SIDE



Adjust leveller on floating center leg to allow for a 2-3mm clearance

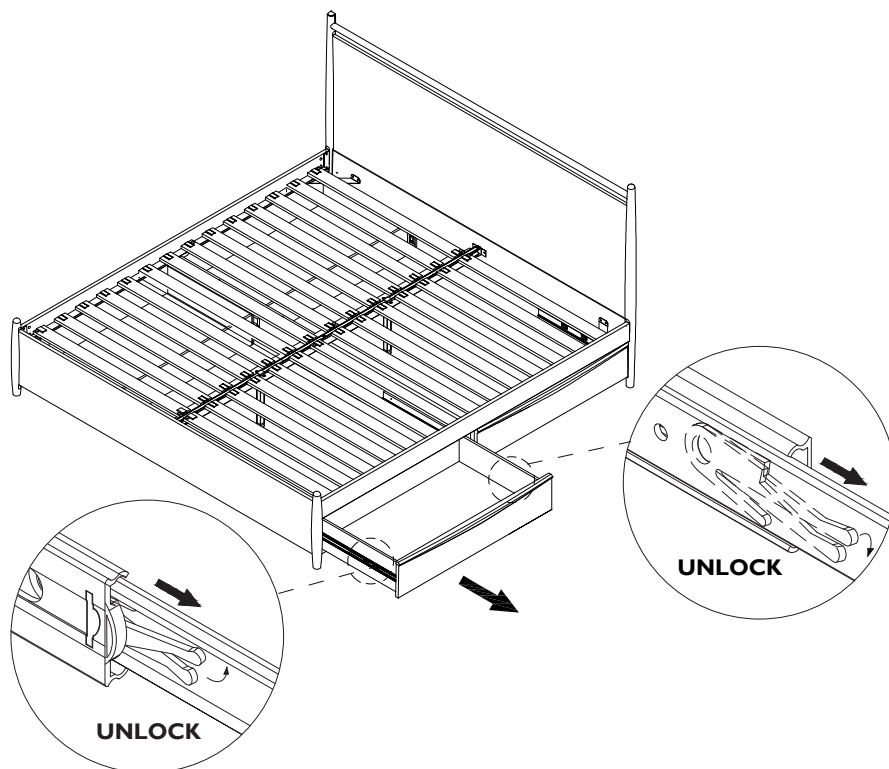
2-3mm



DO NOT DRAG BED, ALWAYS LIFT WITH AT LEAST TWO PEOPLE BEFORE MOVING

11

Remove drawer



12

Install drawer

