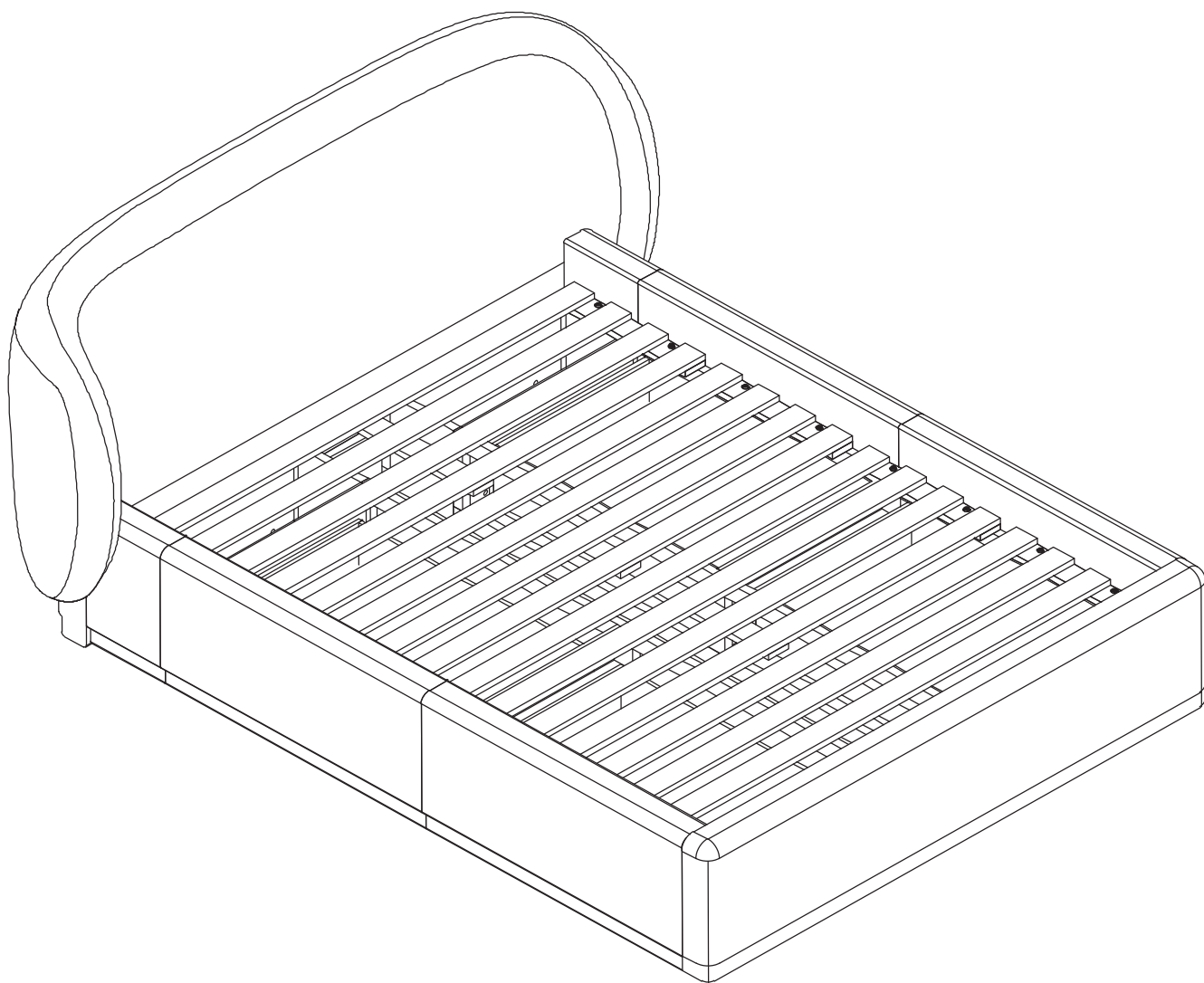


ARTICLE.

VERSION 1.0

Assembly Instructions



KAYRA STORAGE

BED

ASSEMBLY INSTRUCTIONS

Read these instructions carefully and keep for future reference. Refer to parts inventory for guidance, and ensure you have all pieces before starting.

When assembling, place all parts on a soft, clean, and flat surface such as a carpet to prevent scratches.

If you're having difficulty, our friendly Customer Care team is always here to help. Call us at 1.888.746.3455 during business hours, email service@article.com or chat live at [article.com](https://www.article.com).



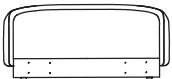
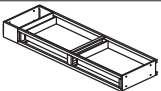
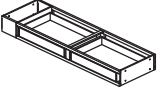

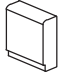
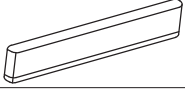

TIME

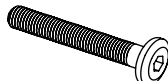
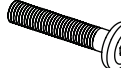


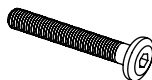


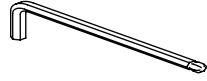


OF PEOPLE

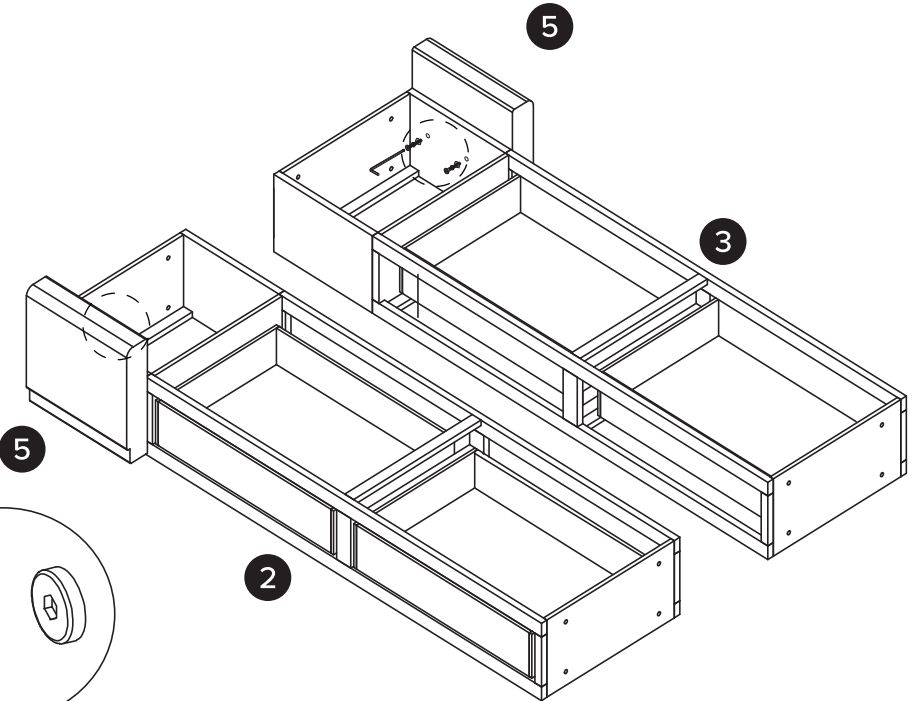
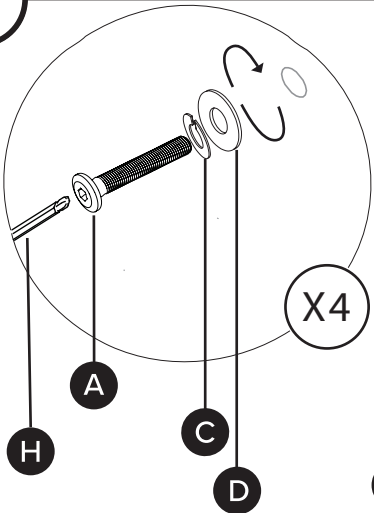


DIFFICULTY

PARTS INVENTORY		
ID	DESCRIPTION	QTY
1	HEADBOARD 	1
2	LEFT STORAGE BED FRAME 	1
3	RIGHT STORAGE BED FRAME 	1
4	DRAWER PANELS 	4
5	SMALL PANELS 	2
6	FOOTBOARD 	1
7	SLATS 	4

HARDWARE LIST		
ID	DESCRIPTION	QTY
A	BOLT M8 x 50 	4
B	BOLT M8 x 40 	32
C	M8.5 LOCK WASHER 	36
D	M8.5 WASHER 	36
E	BOLT M6 x 40 	16
F	M6.5 LOCK WASHER 	16
G	M6.5 WASHER 	16
H	ALLEN KEY 	1

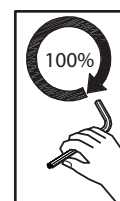
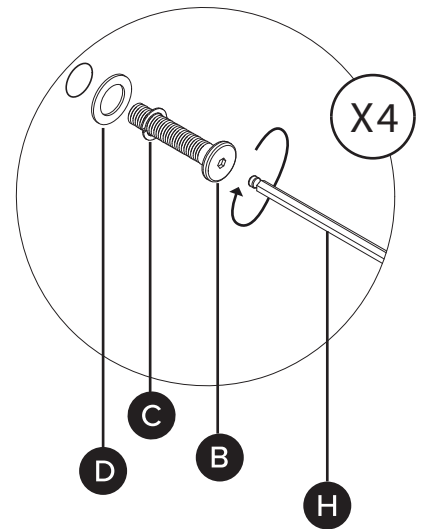
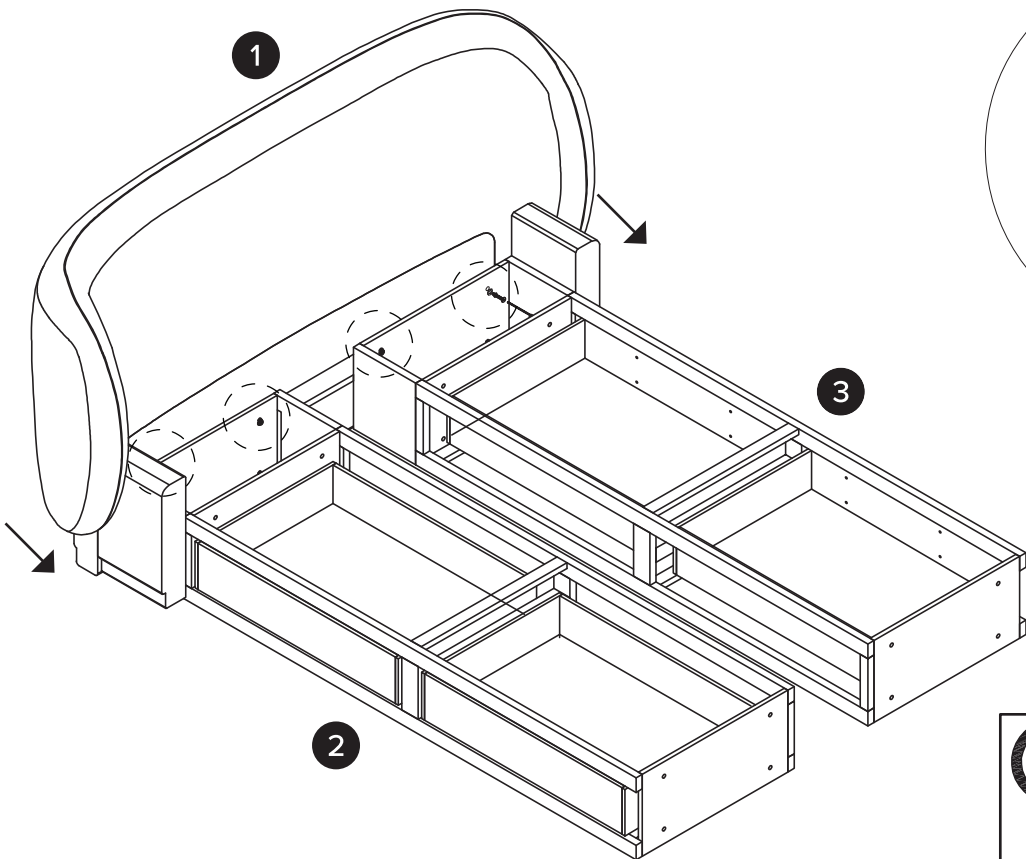
1



! Using short head of the allen key, fully tighten bolts.

2

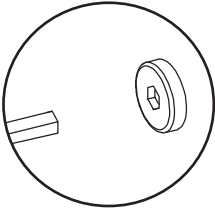
! Secure bolts on the top



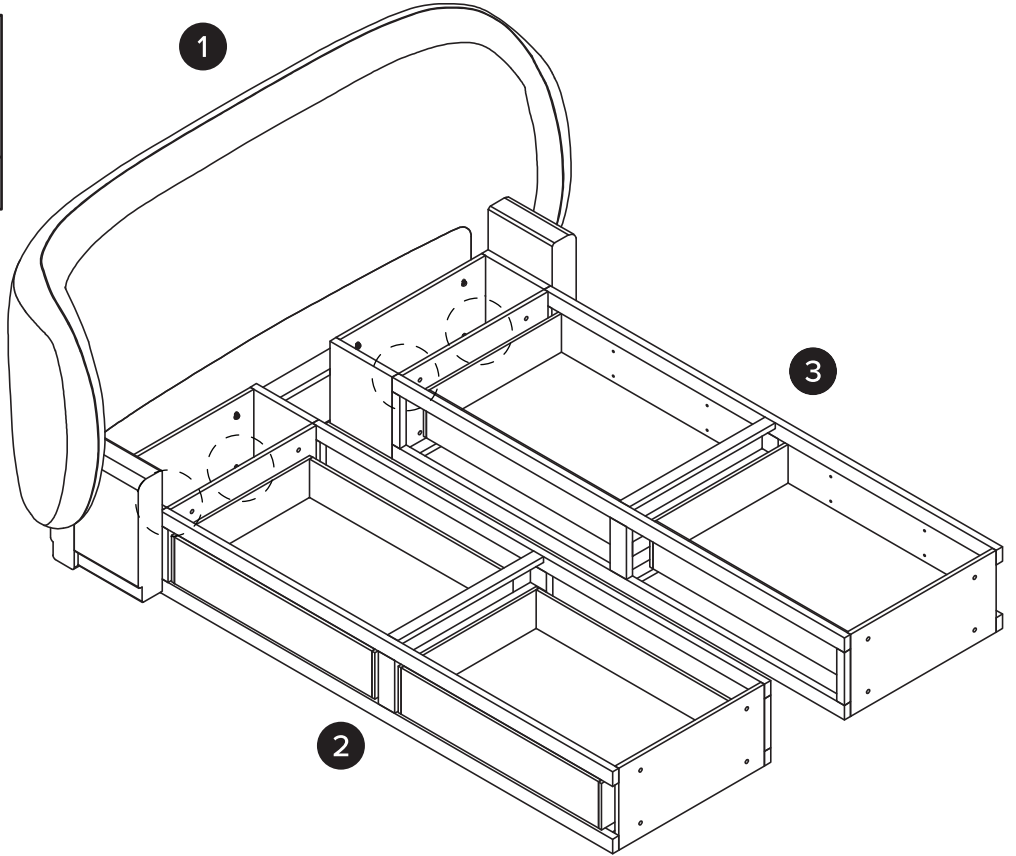
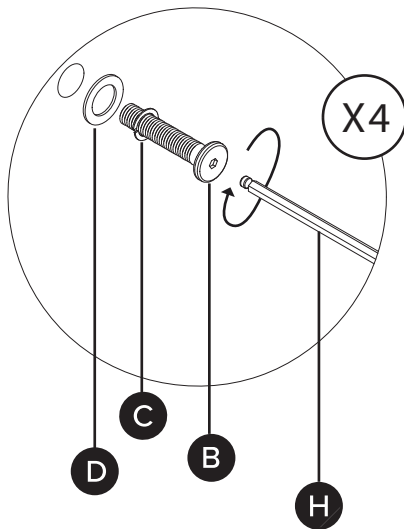
! Using short head of the allen key, fully tighten bolts.

3

Secure bolts at the bottom

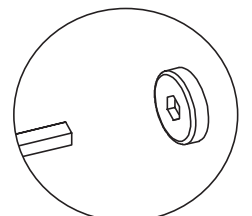
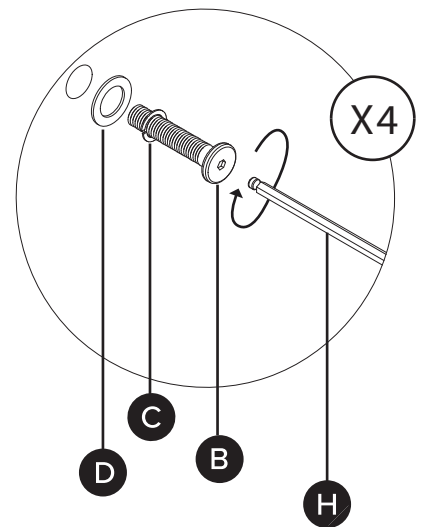
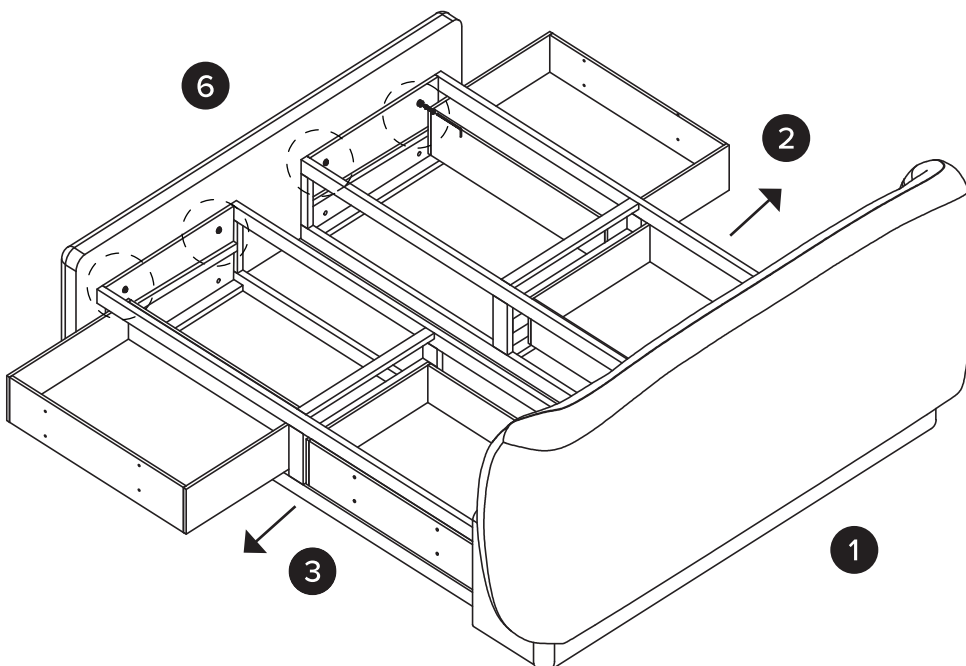


Using short head of the allen key, fully tighten bolts.



4

Secure bolts on the top

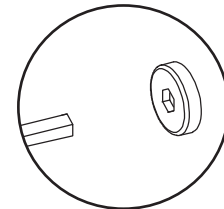
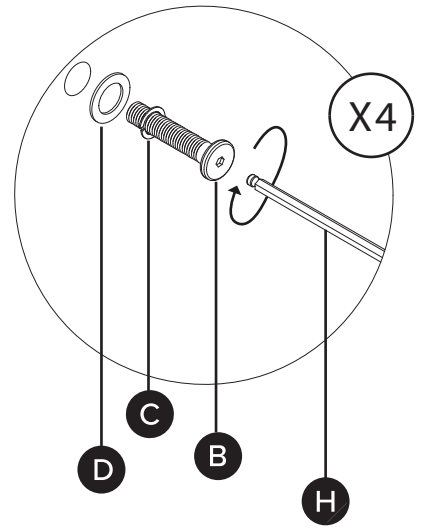
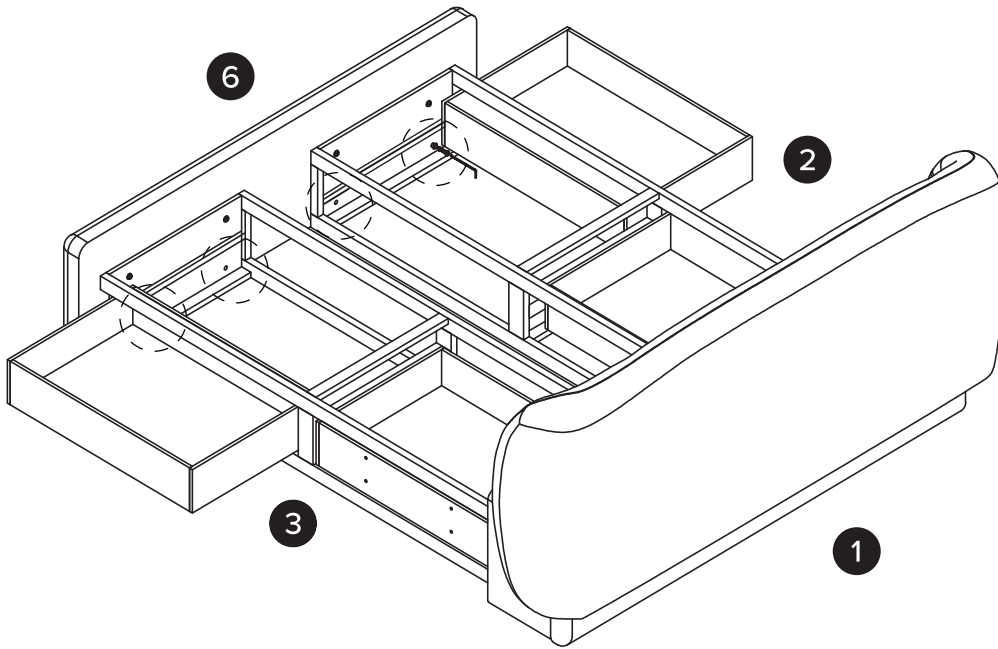


Using short head of the allen key, fully tighten bolts.

Pull out the drawers to assembly the bolts

5

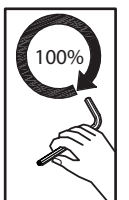
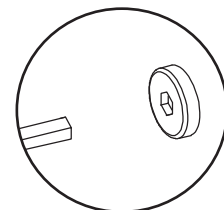
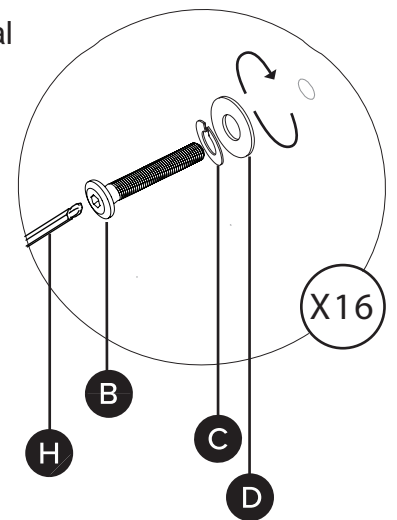
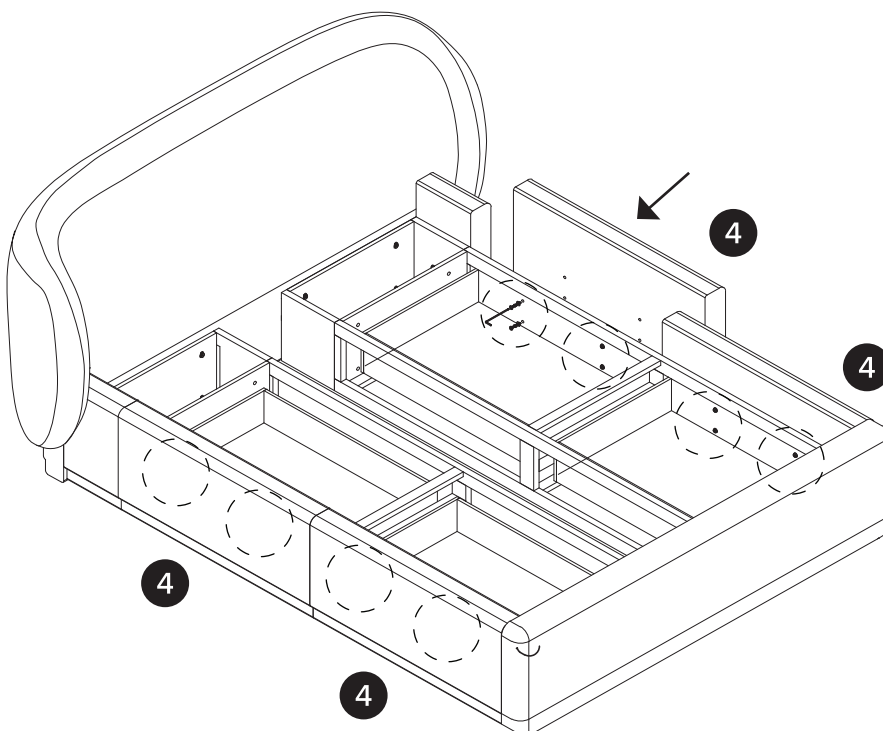
! Secure bolts at the bottom



! Using short head of the allen key, fully tighten bolts.

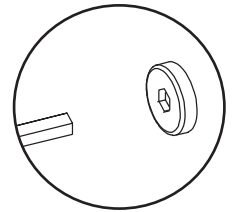
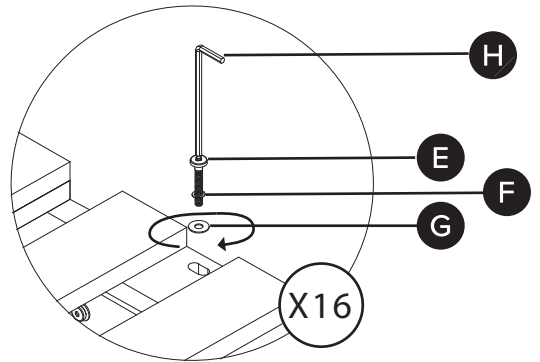
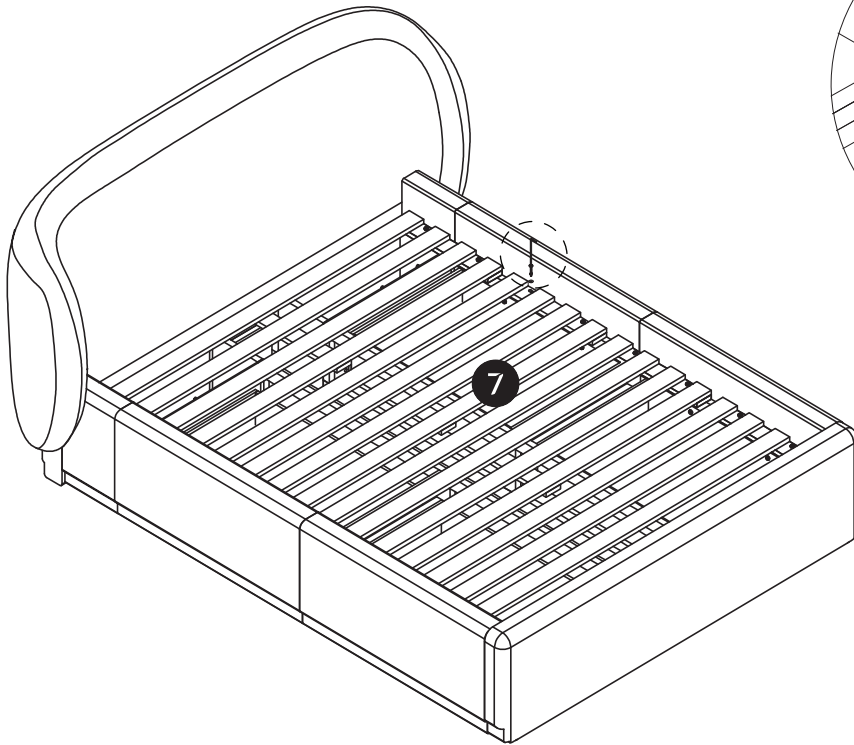
6

! Make sure the drawer panels are straight in line
The gap between the sides of the drawer panels are equal



! Using short head of the allen key, fully tighten bolts.

7



! Using short head of the allen key, fully tighten bolts.

8

