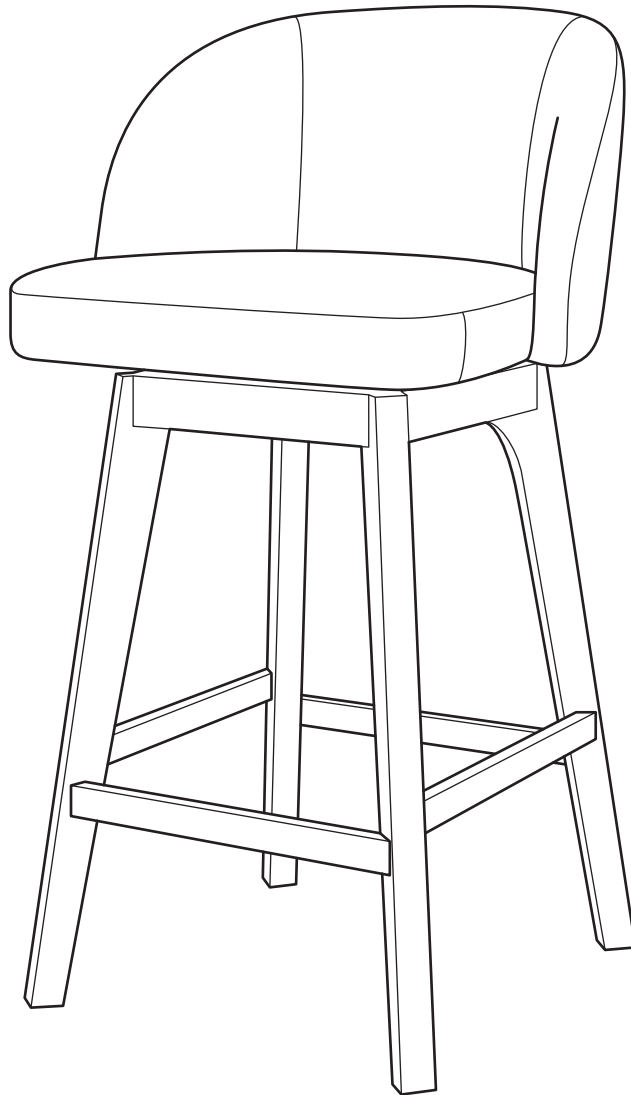


# ARTICLE.

VERSION 1.3

## Assembly Instructions



# ALTA

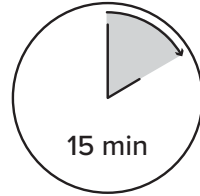
Swivel Stool

## ASSEMBLY INSTRUCTIONS

Read these instructions carefully and keep for future reference. Refer to parts inventory for guidance, and ensure you have all pieces before starting.

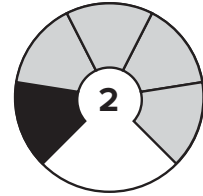
When assembling, place all parts on a soft, clean, and flat surface such as a carpet to prevent scratches.

If you're having difficulty, our friendly Customer Care team is always here to help. Call us at **1.888.746.3455** during business hours, email [service@article.com](mailto:service@article.com) or chat live at [article.com](https://www.article.com).



15 min

TIME



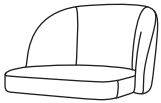
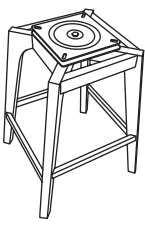




2

DIFFICULTY

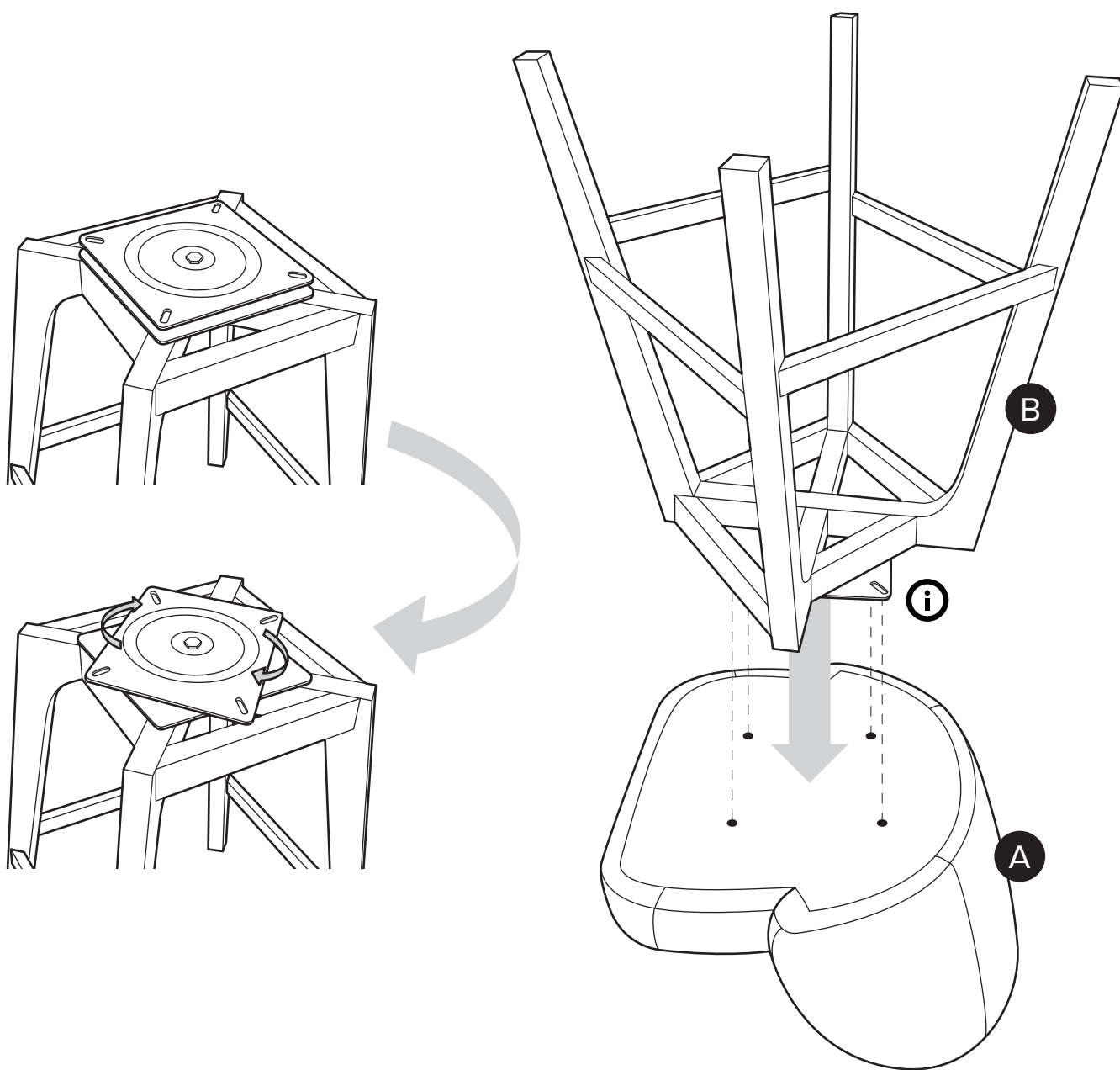


# OF PEOPLE

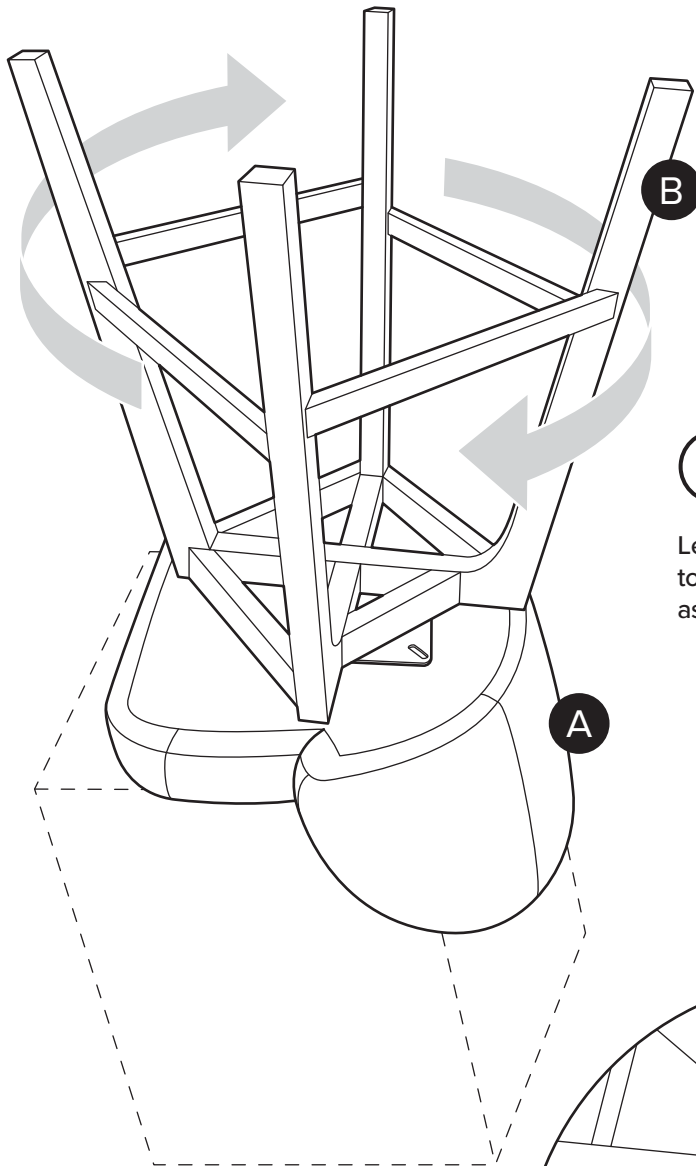
**!** Hardware may loosen over time, check the bolts regularly and tighten if necessary.

PARTS INVENTORY		
ID	DESCRIPTION	QTY
A	SEAT 	1
B	LEG FRAME 	1
C	BOLT 	4
D	LOCK WASHER 	4
E	WASHER 	4
F	ALLEN KEY 	1

1



2



Leg Frame (B) needs to be rotated either to the left or right to expose the pre-drilled holes on the swivel base during assembly.

