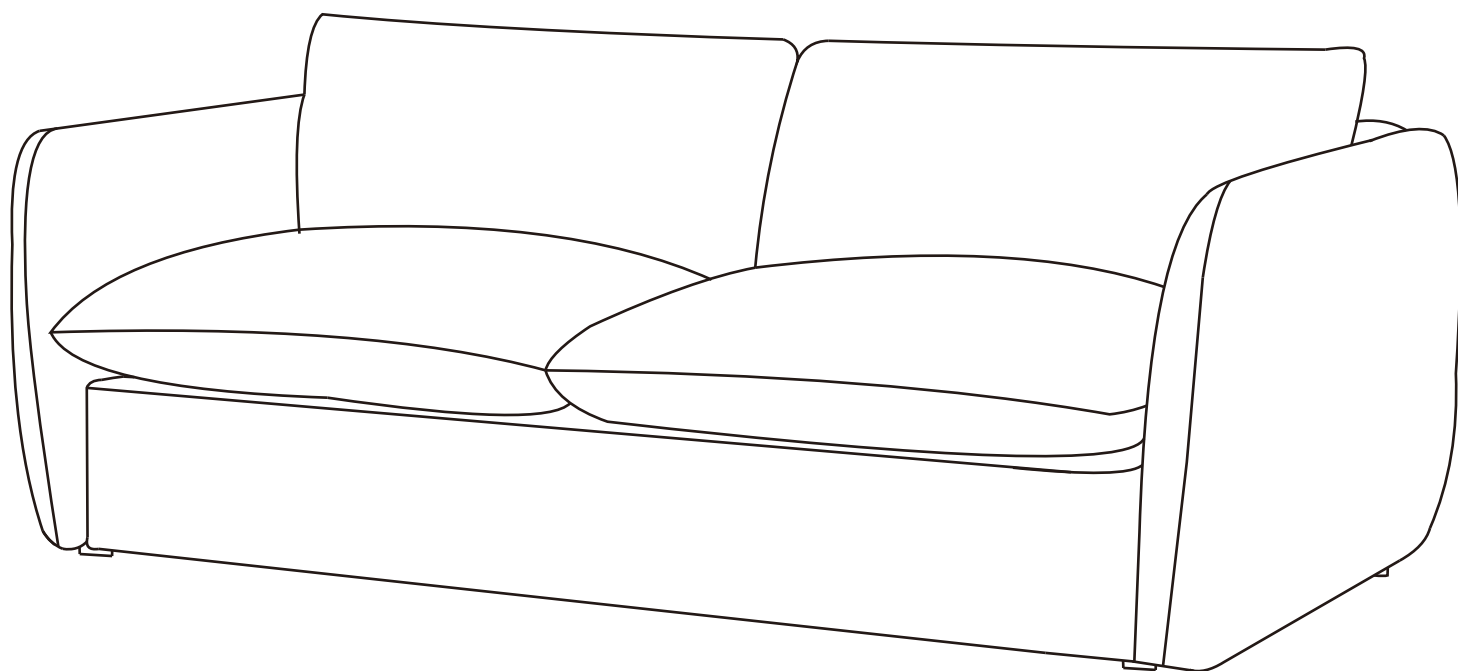


ARTICLE.

VERSION 1.0

Assembly Instructions



LEIGH

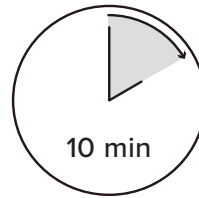
Sofa Bed

ASSEMBLY INSTRUCTIONS

Read these instructions carefully and keep for future reference. Refer to parts inventory for guidance, and ensure you have all pieces before starting.

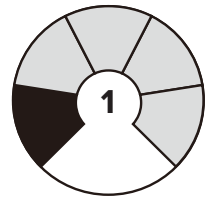
When assembling, place all parts on a soft, clean, and flat surface such as a carpet to prevent scratches.

If you're having difficulty, our friendly Customer Care team is always here to help. Call us at **1.888.746.3455** during business hours, email service@article.com or chat live at article.com.



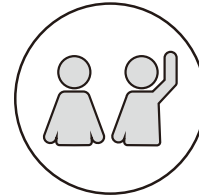
10 min

TIME

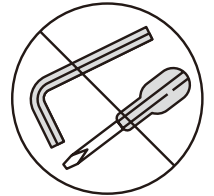


1


DIFFICULTY

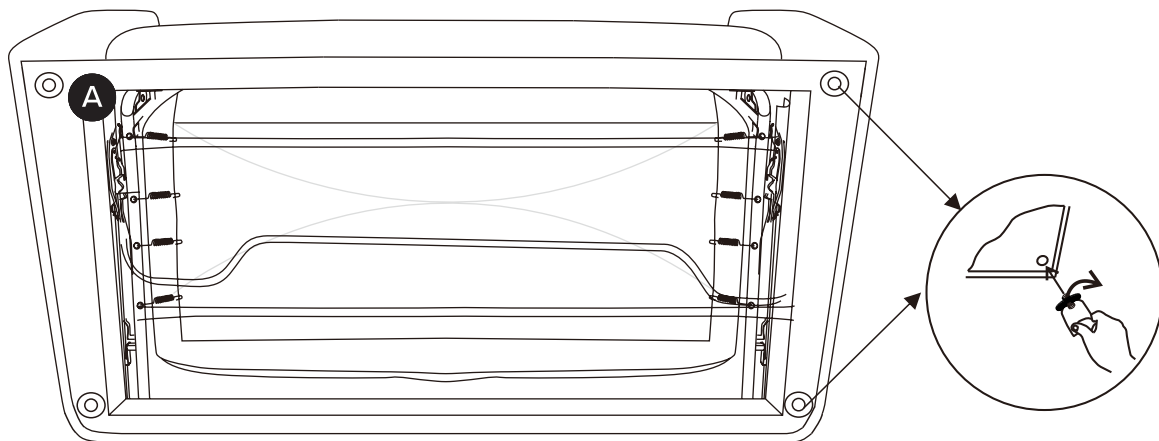


OF PEOPLE

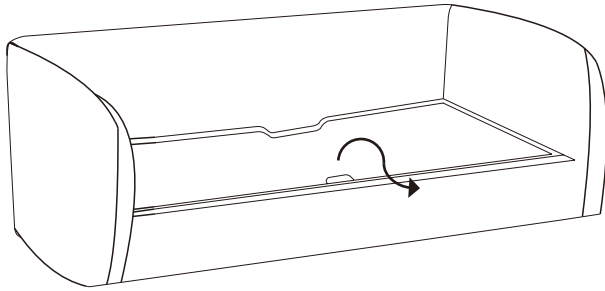


TOOL FREE

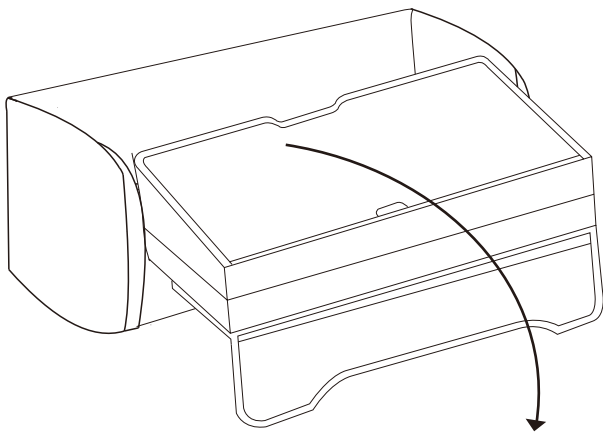
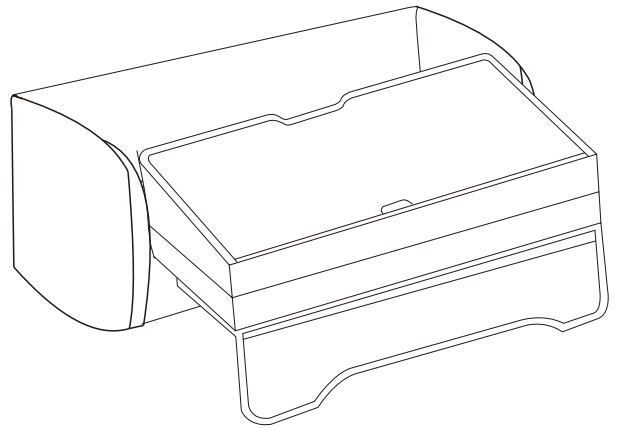
PARTS INVENTORY		
ID	DESCRIPTION	QTY
A	LEGS 	4



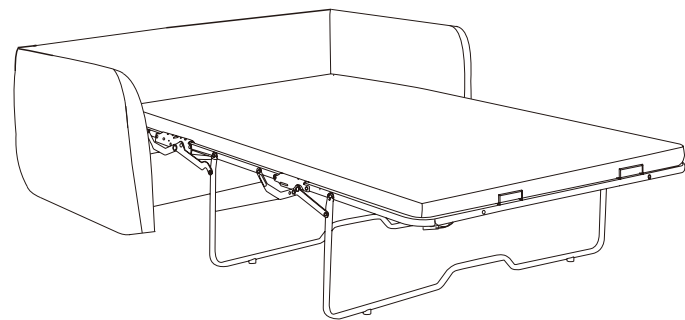
2



! Use the handle at the front edge of the sofa to pull bed up and out.



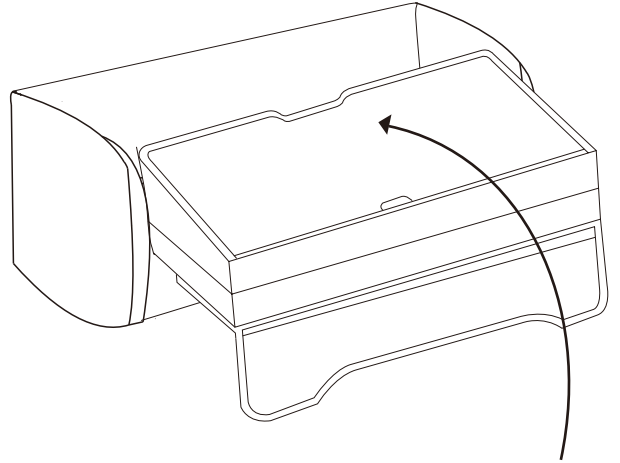
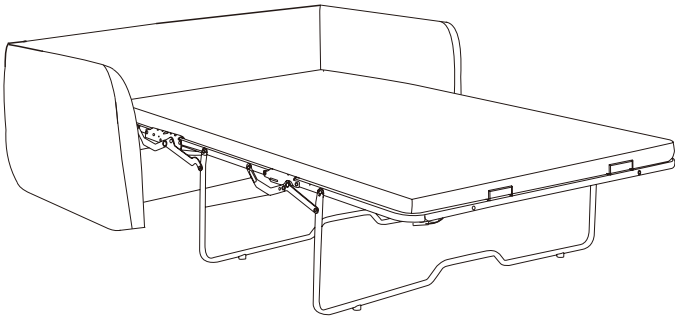
! Pull second leg up, around, and under to unfold mattress.



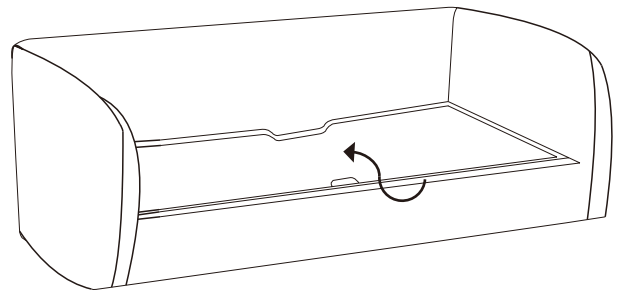
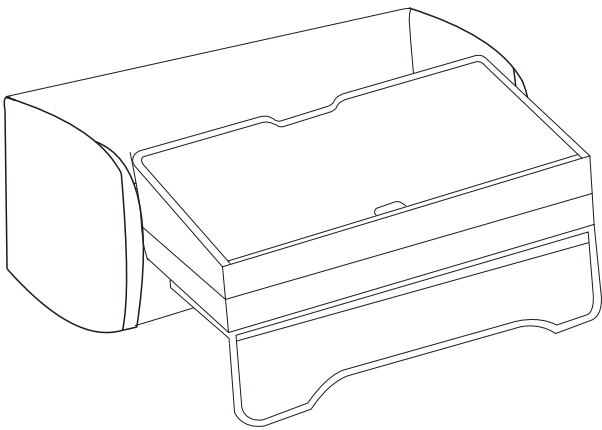
! Use the handle at the front edge of the sofa to pull bed up.

ARTICLE.

3



! Pull second leg up, around, and under to fold mattress.



! Use the handle at the front edge of the sofa to pull bed up.