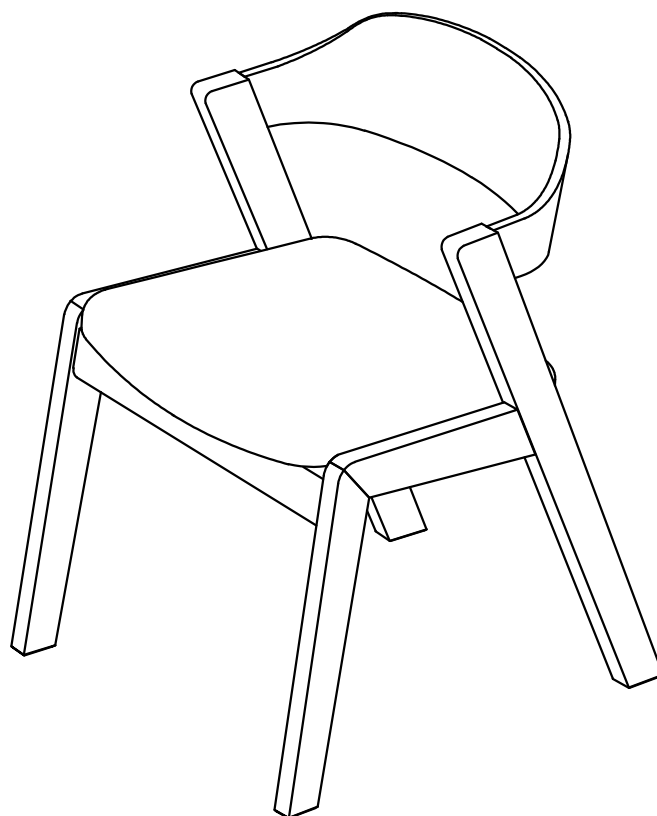


# ARTICLE.

VERSION 1.0

## Assembly Instructions



# MEJA

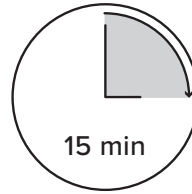
DINING CHAIR

## ASSEMBLY INSTRUCTIONS

Read these instructions carefully and keep for future reference. Refer to parts inventory for guidance, and ensure you have all pieces before starting.

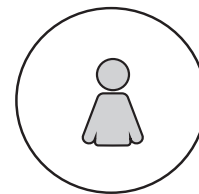
When assembling, place all parts on a soft, clean, and flat surface such as a carpet to prevent scratches.

If you're having difficulty, our friendly Customer Care team is always here to help. Call us at **1.888.746.3455** during business hours, email [service@article.com](mailto:service@article.com) or chat live at [article.com](http://article.com).

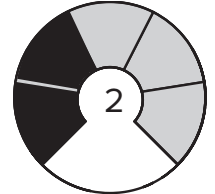


15 min

TIME



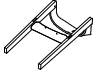



# OF PEOPLE


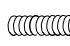

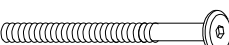







DIFFICULTY



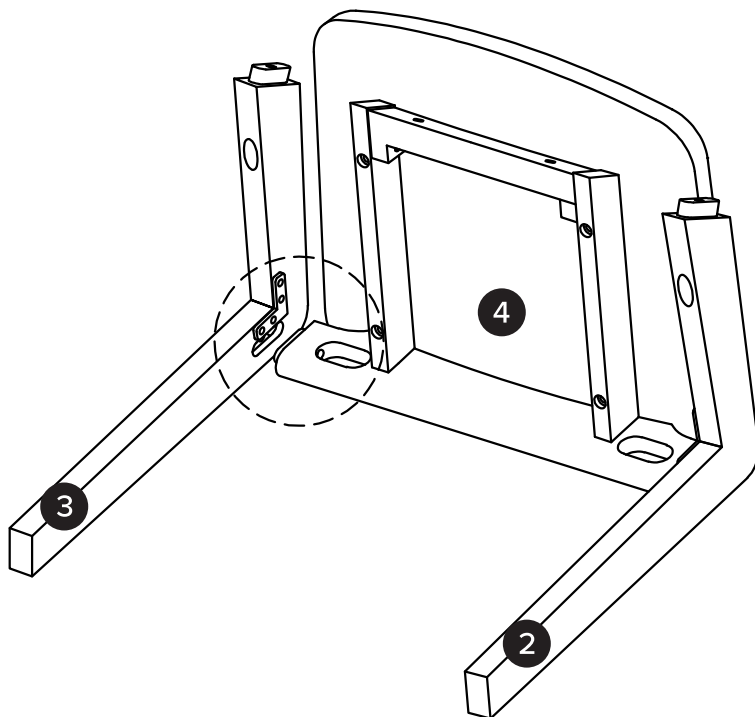
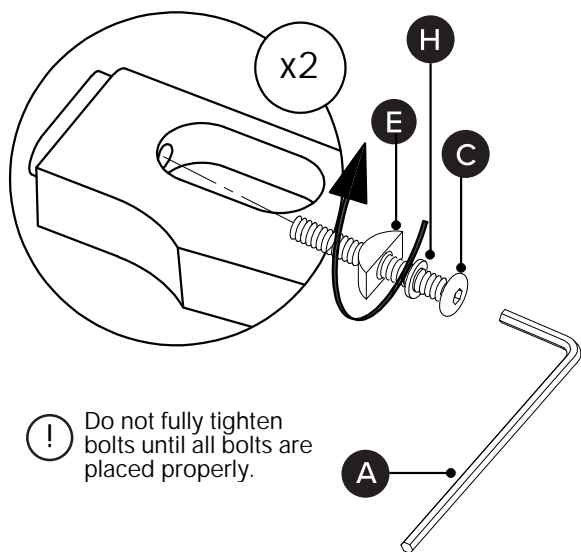
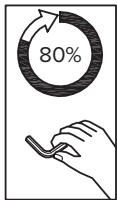
Hardware may loosen over time, check the bolts regularly and tighten every 2 months.

PARTS INVENTORY			
ID	DESCRIPTION		QTY
1	BACK FRAME		1
2	FRONT LEG (L)		1
3	FRONT LEG (R)		1
4	SEAT FRAME		1

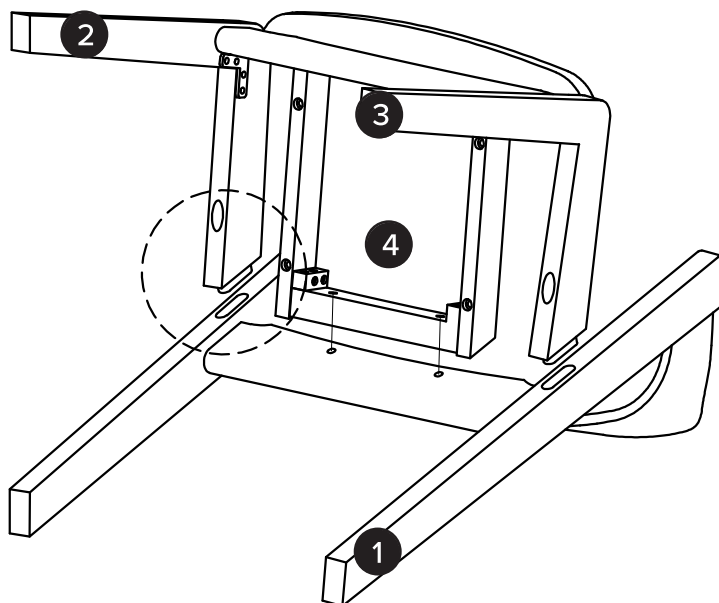
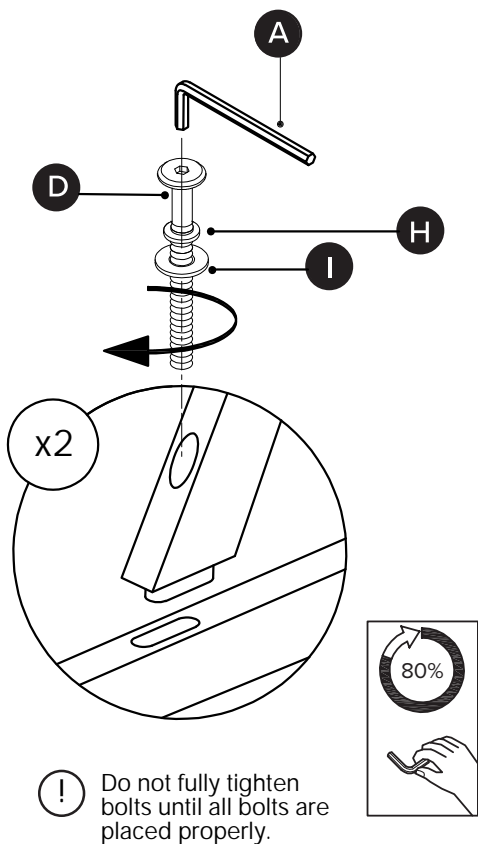
HARDWARE LIST			
ID	DESCRIPTION		QTY
A	ALLEN KEY		1
B	M6 X 45MM BOLT		2
C	M8 X 60MM BOLT		2
D	M8 X 80MM BOLT		2
E	HALF - MOON WASHER		2
F	M6 LOCK WASHER		2
G	M6 WASHER		2
H	M8 LOCK WASHER		4
I	M8 WASHER		2

1

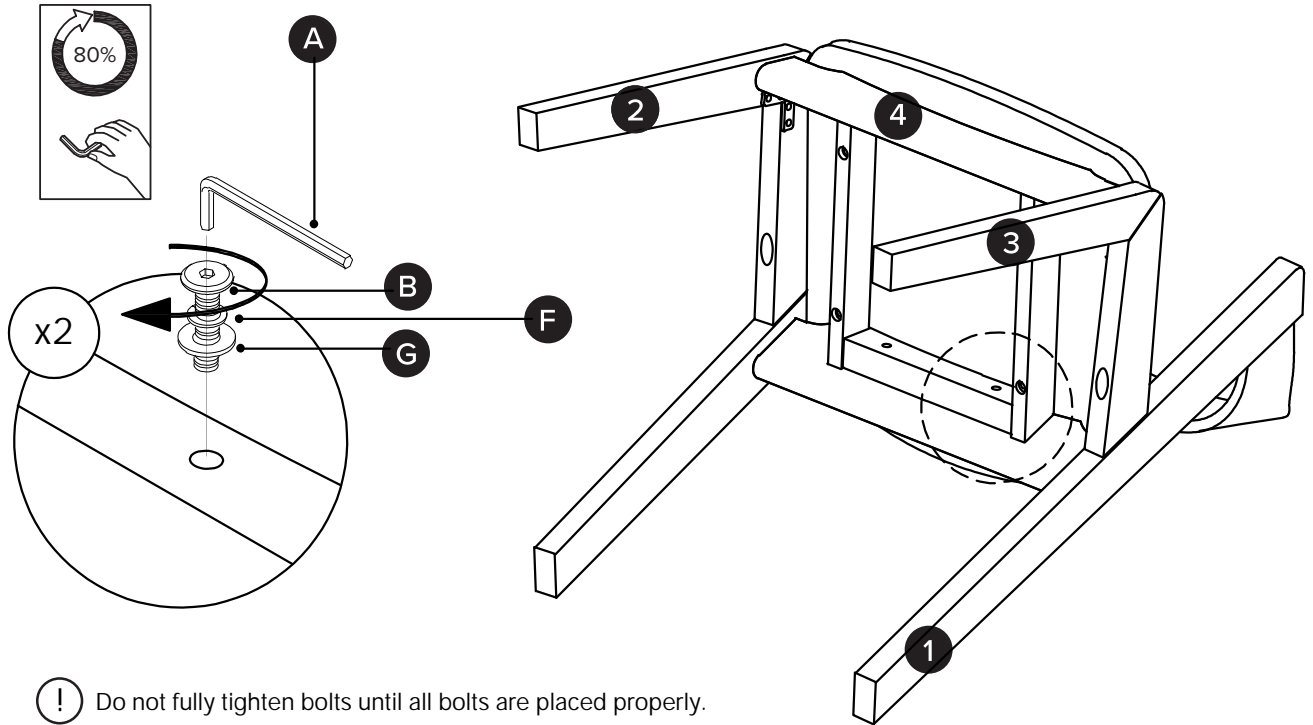
! Please ensure to put components on a flat and soft surface such as a cardboard or a rug.



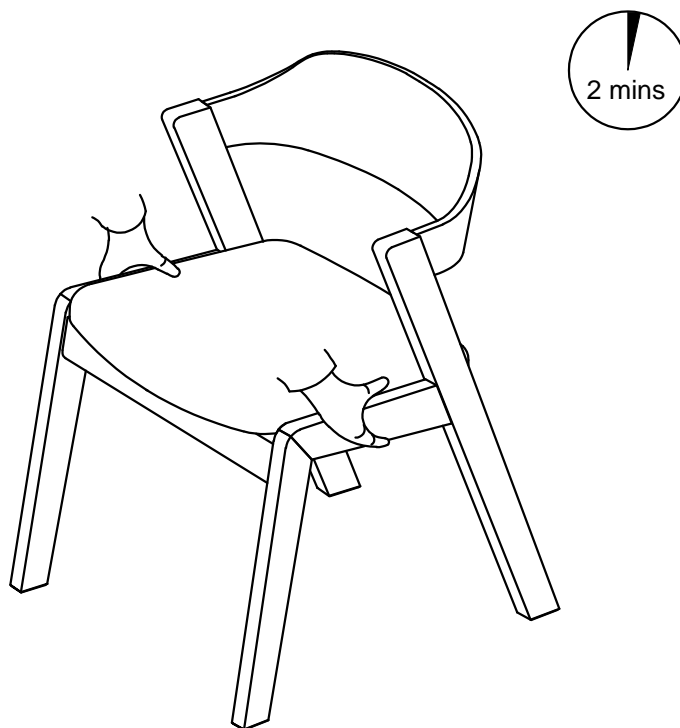
2



3

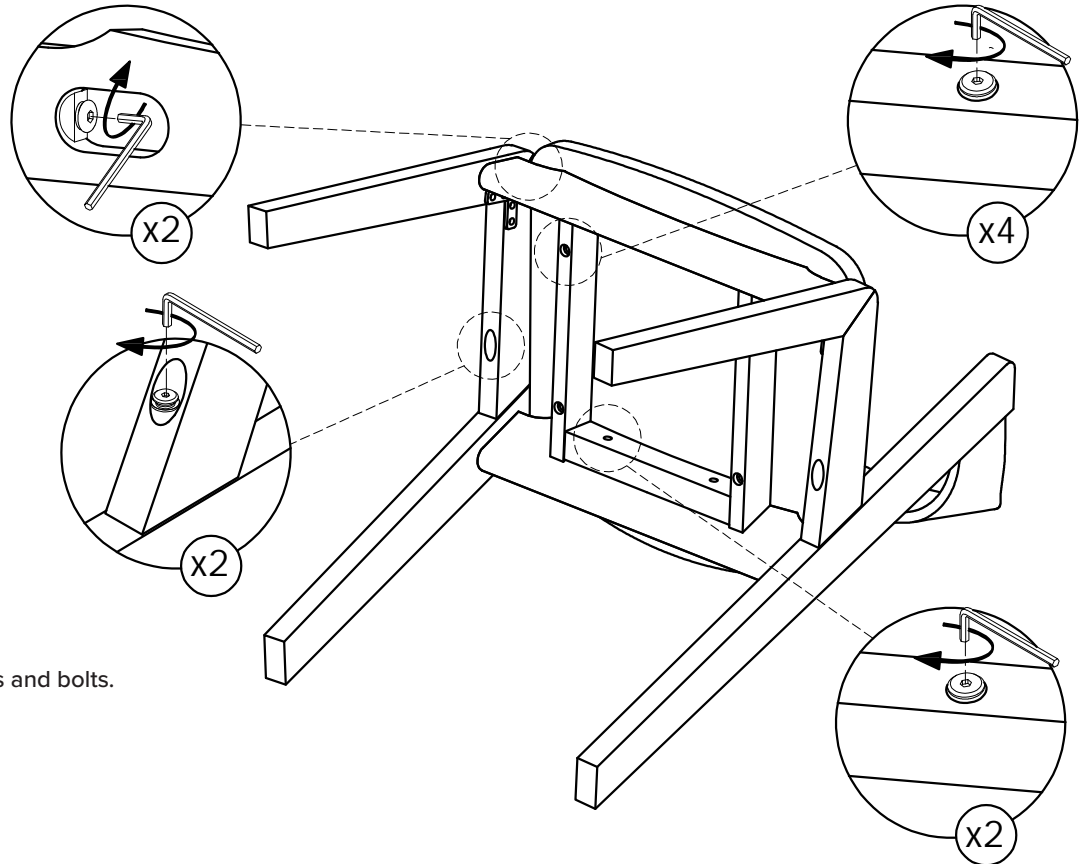


4



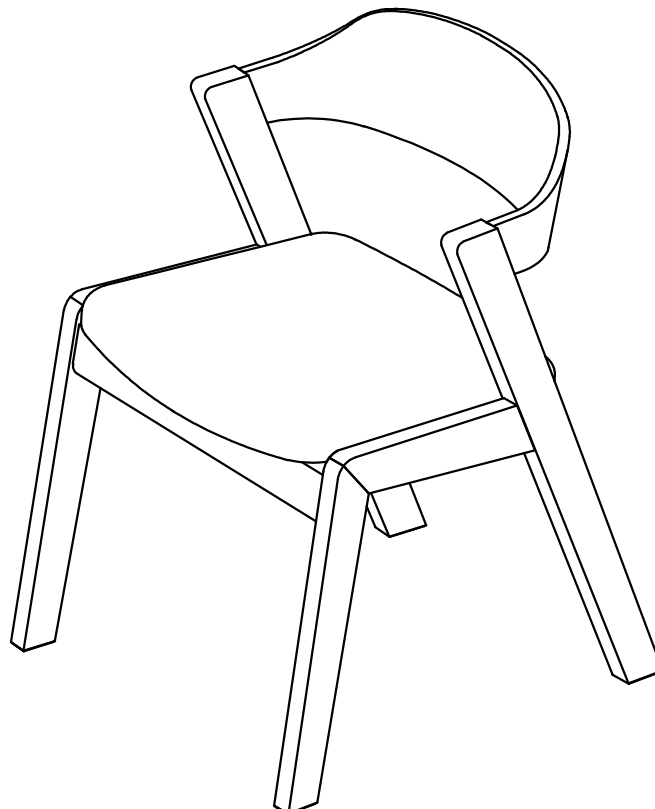
! Place the chair onto a flat surface, manually press chair down until it's stable within 2 mins in order to ensure all 4 legs are not wobbly on the floor.

5



! Fully tighten all nuts and bolts.

6



! It is important that all bolts are retightened 2 weeks after assembly and once every 2 months in order to assure stability throughout the lifespan of this product.