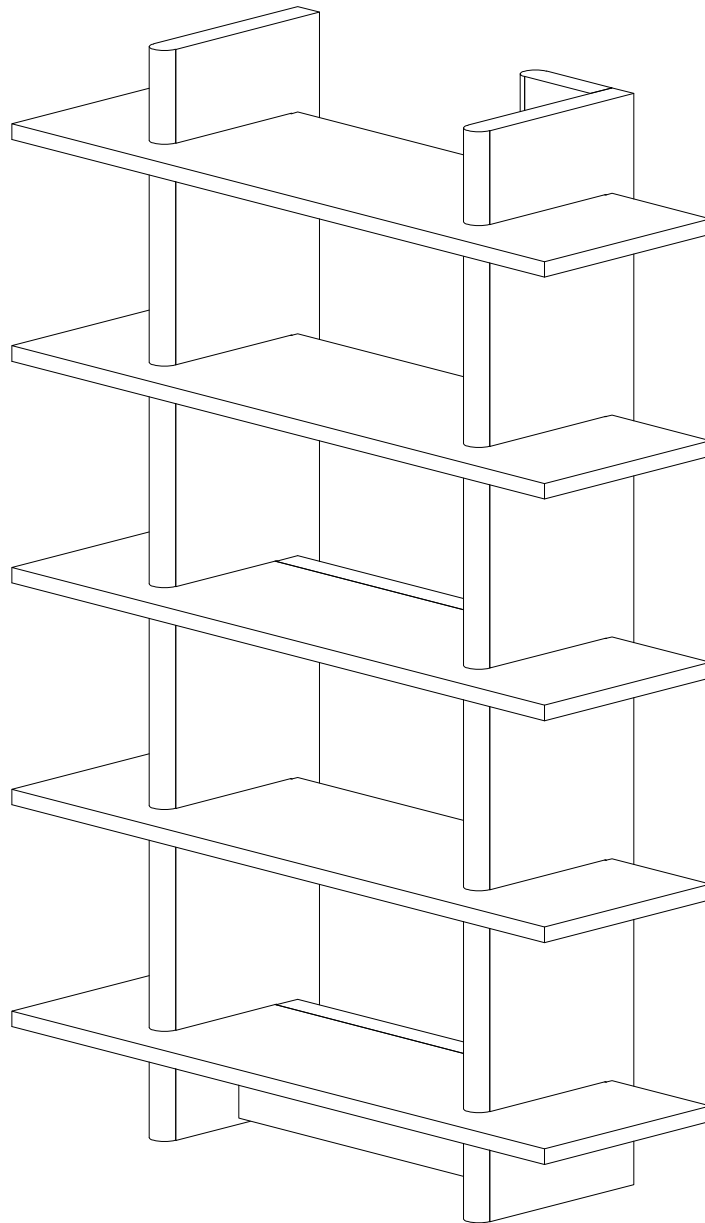


**ARTICLE.**

VERSION 1.0

## Assembly Instructions



**TORME**

Open Bookcase

## ASSEMBLY INSTRUCTIONS

Read these instructions carefully and keep for future reference. Refer to parts inventory for guidance, and ensure you have all pieces before starting.

When assembling, place all parts on a soft, clean, and flat surface such as a carpet to prevent scratches.

If you're having difficulty, our friendly Customer Care team is always here to help. Call us at 1.888.746.3455 during business hours, email [service@article.com](mailto:service@article.com) or chat live at article.com.

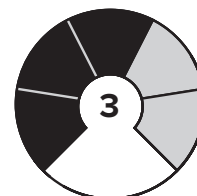


20 min

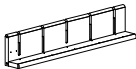
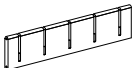
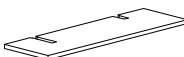
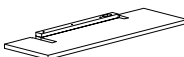
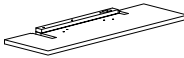
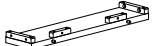
TIME





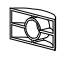




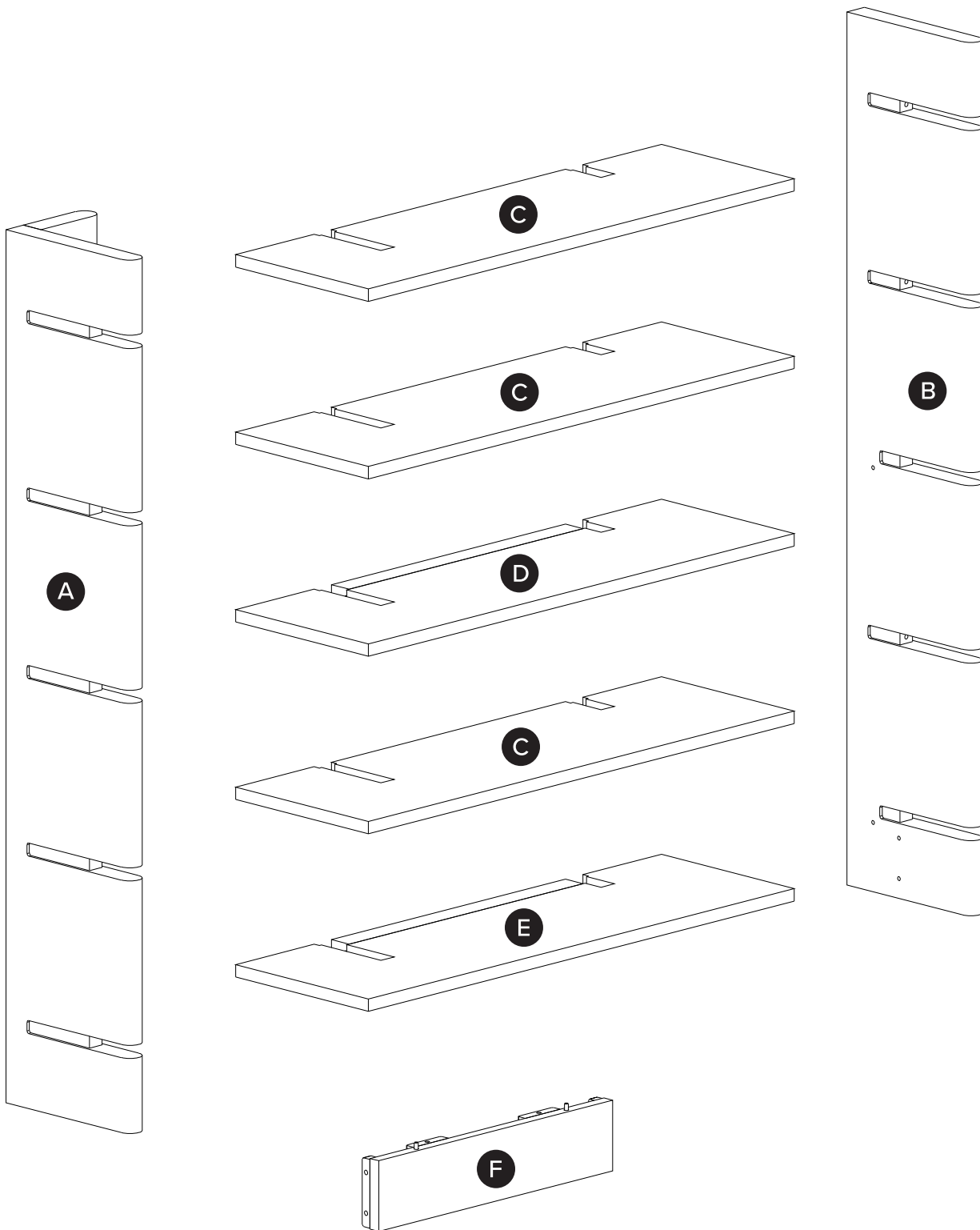
# OF PEOPLE



DIFFICULTY

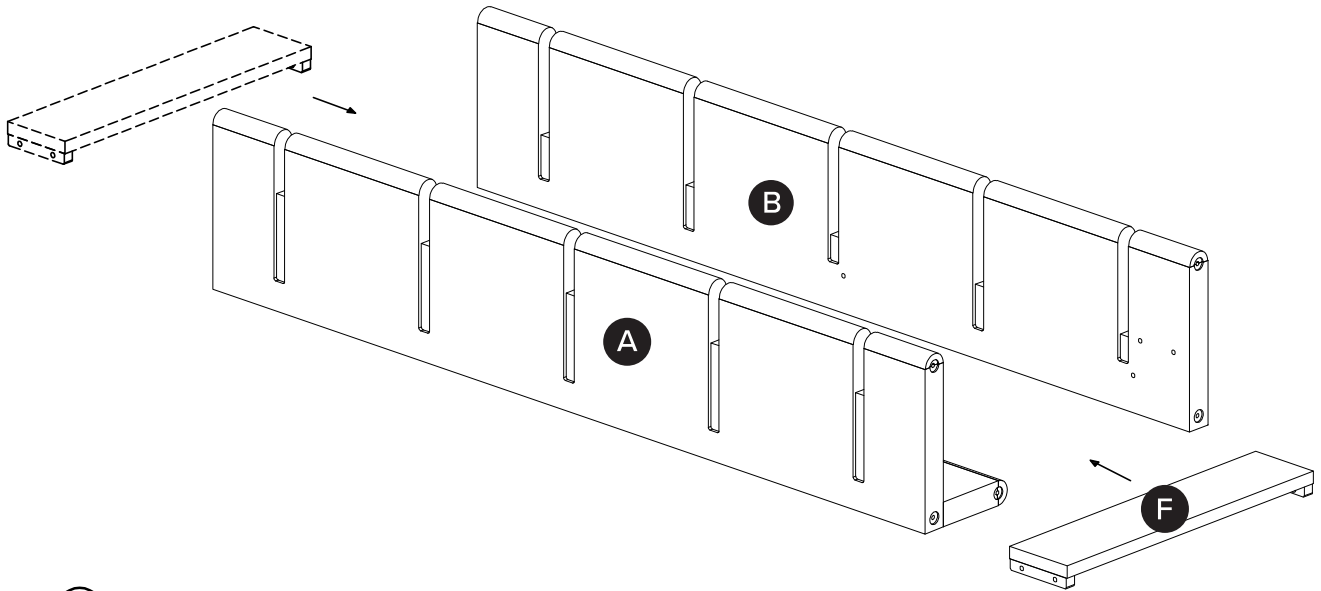
PARTS INVENTORY		
ID	DESCRIPTION	QTY
A	LEFT SIDE PANEL 	1
B	RIGHT SIDE PANEL 	1
C	SHELVES 	3
D	MID SHELF 	1
E	BOTTOM SHELF 	1
F	SUPPORT BAR 	1

HARDWARE INVENTORY		
ID	DESCRIPTION	QTY
G	ALLEN KEY 	1
H	M6 x 110 BOLT 	3
I	M6 x 60 BOLT 	12
J	M6 x 35 BOLT 	6
K	HALF- MOON WASHER 	2
L	WASHER 	19
M	LOCK WASHER 	19



⚠ Place all parts on a soft, clean, and flat surface such as a carpet to prevent scratches

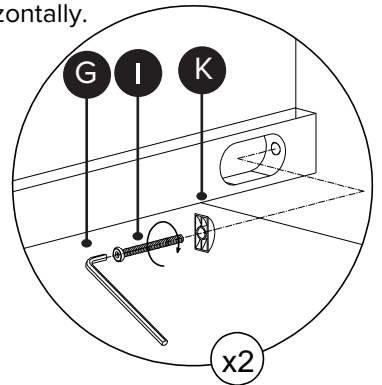
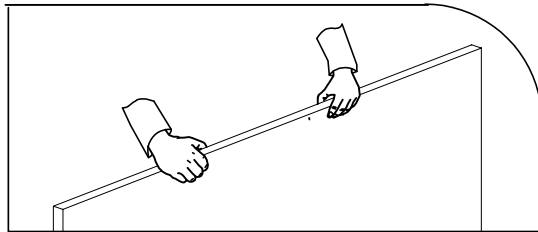
1



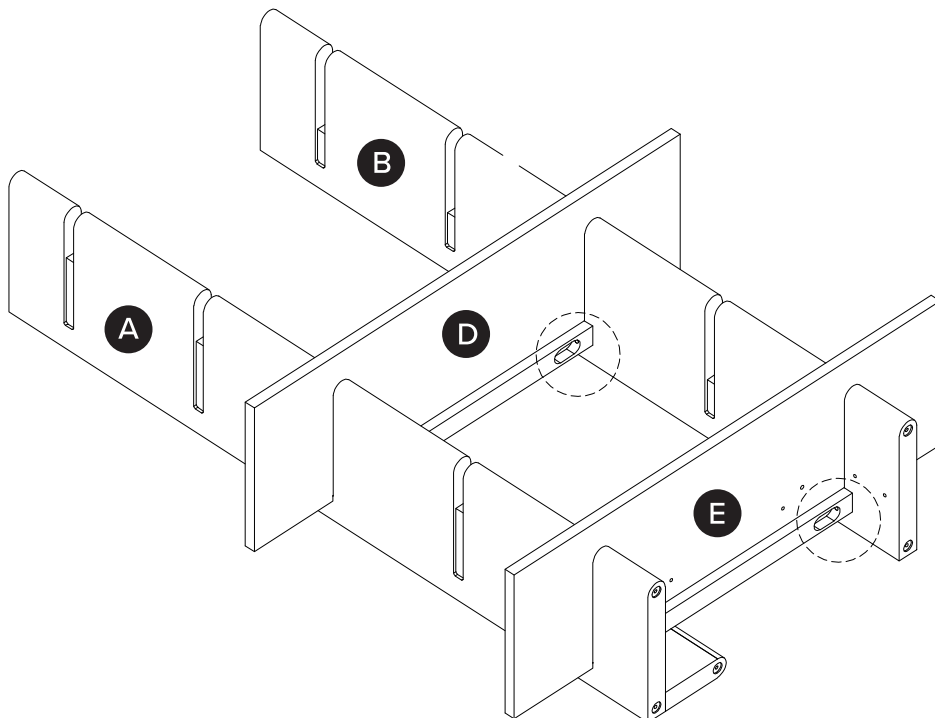
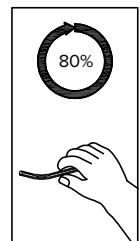
! Assembly tip : align (A) and (B) at its position properly by using part (F).

2

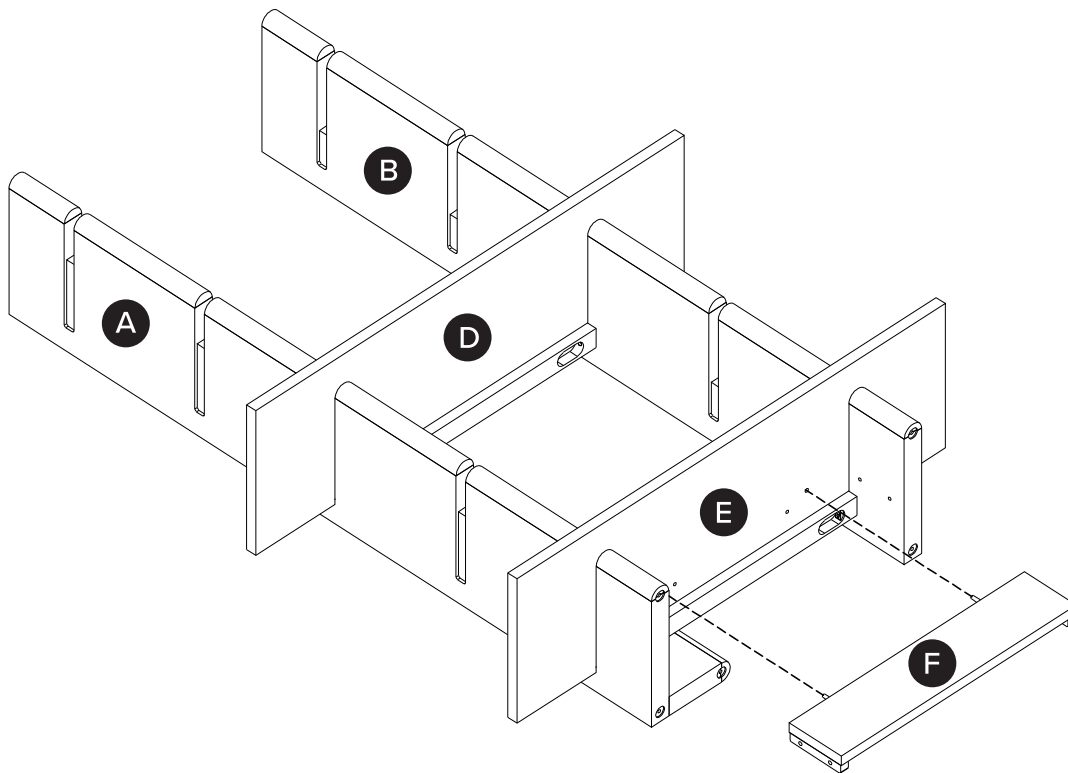
! Assembly tip : one person move each shelf horizontally.



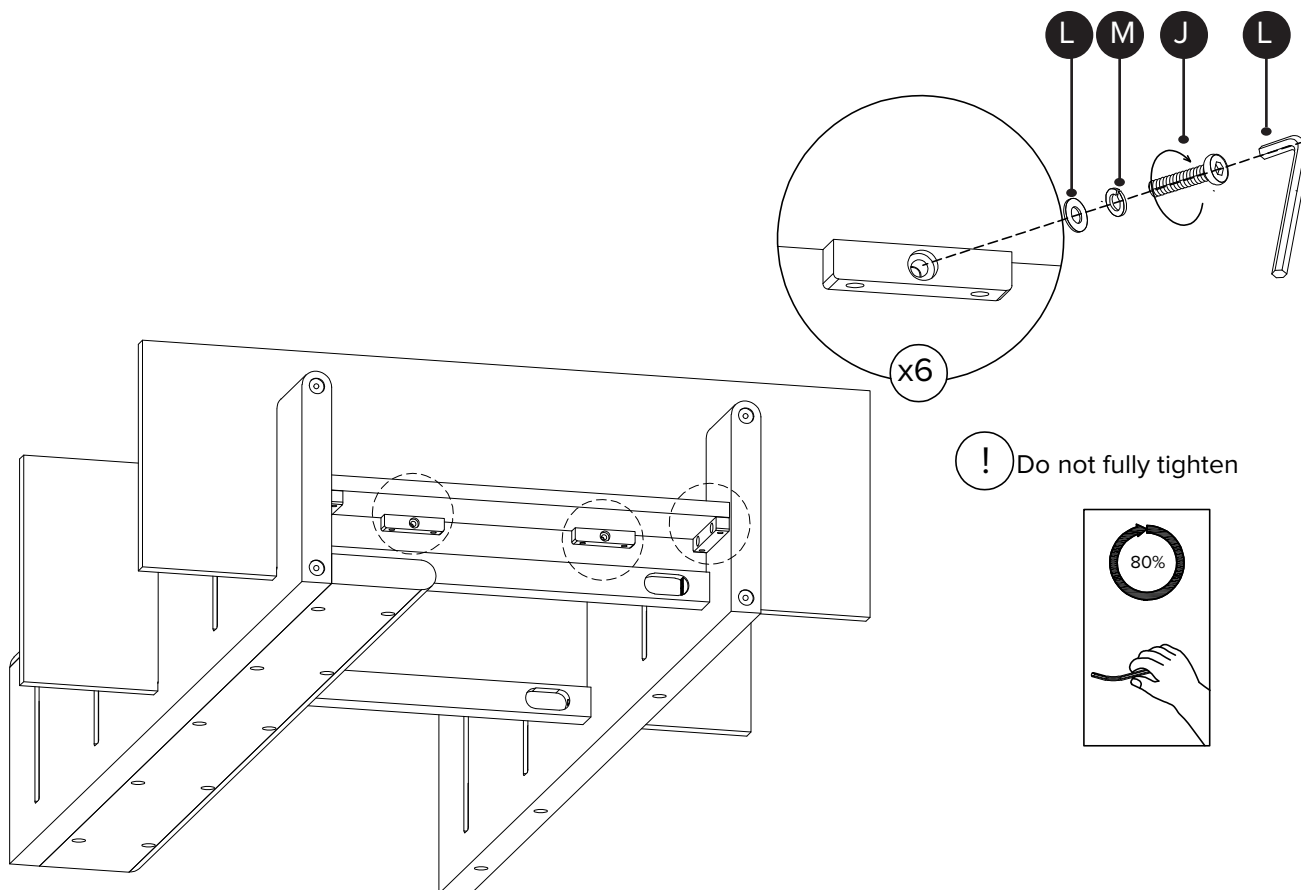
! Do not fully tighten



3

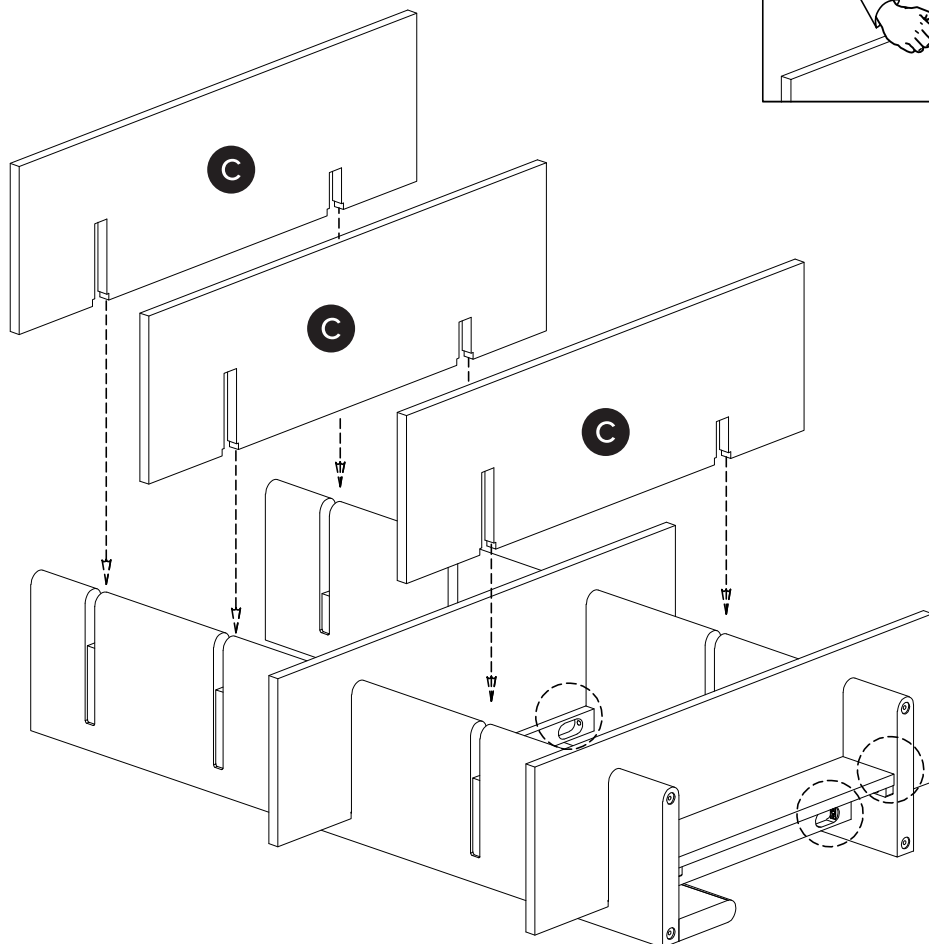
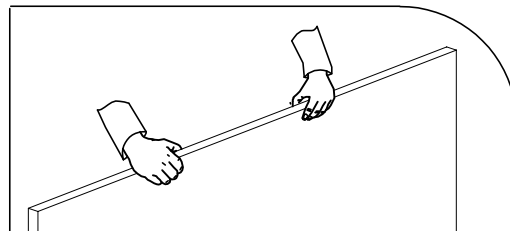


4

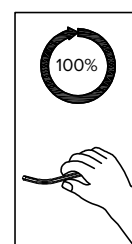


5

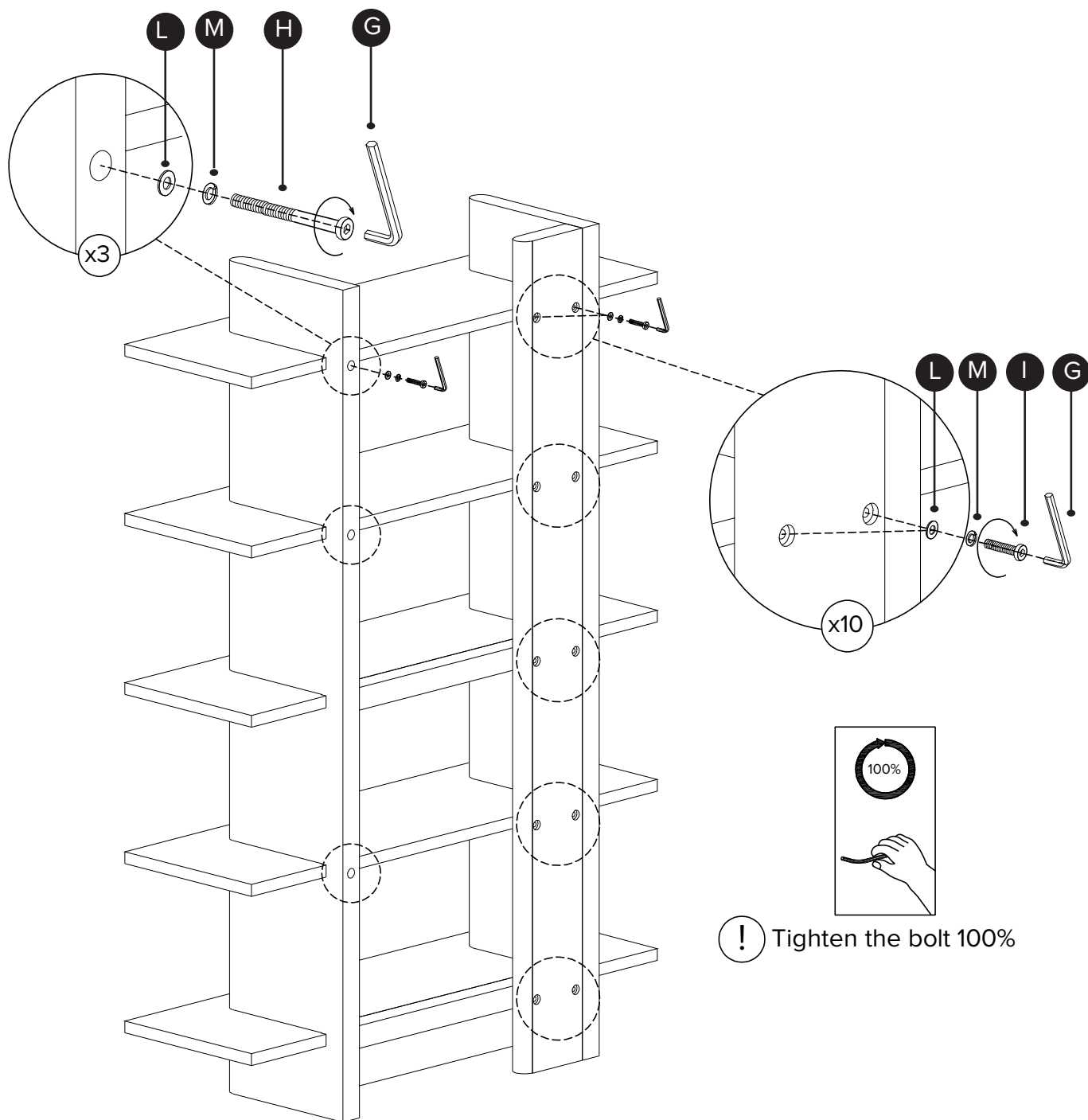
! Assembly tip : one person moves each shelf horizontally.



! Tighten all the bolt 100%

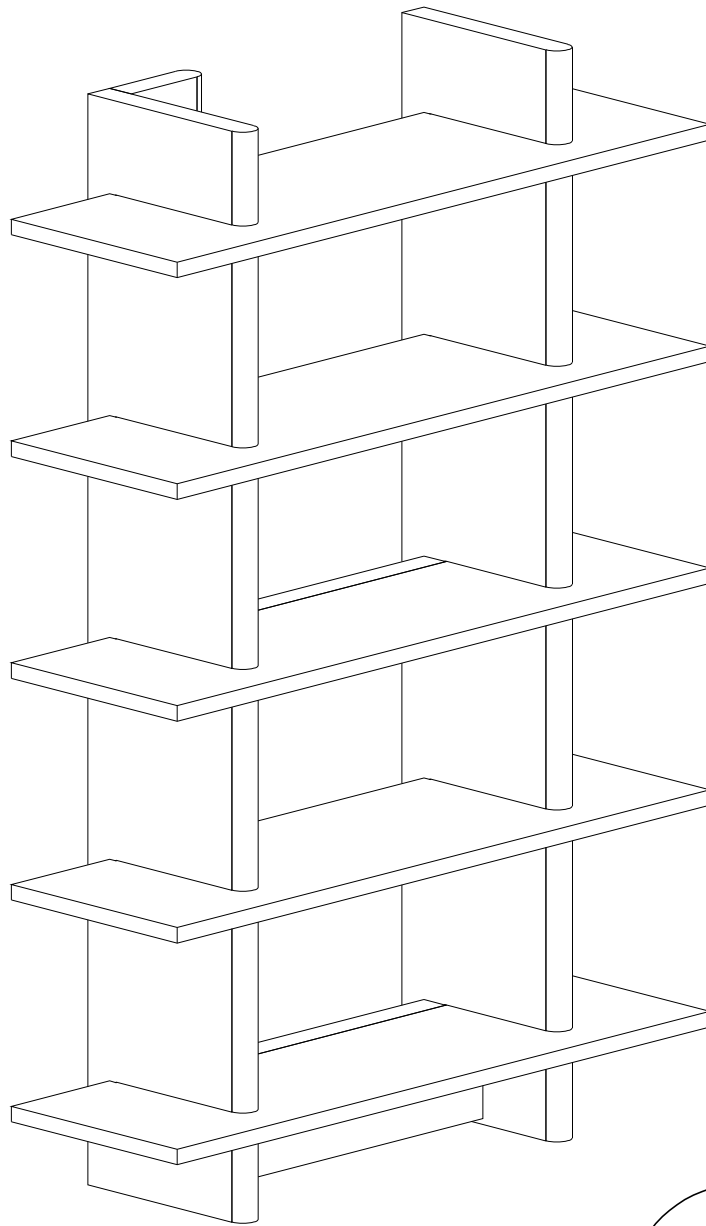


6



7

---



Adjust levelers as needed.



# ARTICLE.

1010 Raymur Ave  
Vancouver, BC V6a 3T2



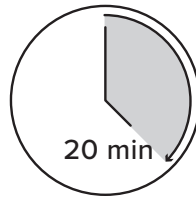
## ANTI-TIP RESTRAINT INSTALLATION

### WARNING!

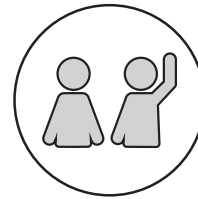
Serious or fatal crushing injuries can occur from furniture tip-over. To help prevent tip-over:

- Install tip-over restraint provided.
- Do not set heavy objects on top of this product, unless the product is specifically designed to accommodate them.
- Never allow children to climb or hang on mirrors, shelves, consoles, or cabinets with doors and/or drawers.

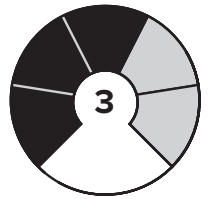
Use of tip-over restraints may only reduce but not eliminate, the risk of tip-over.



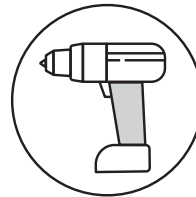
TIME



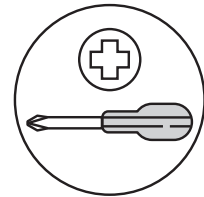
# OF PEOPLE




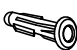



DIFFICULTY




REQUIRED TOOL  
8MM / 5/16" DRILL BIT



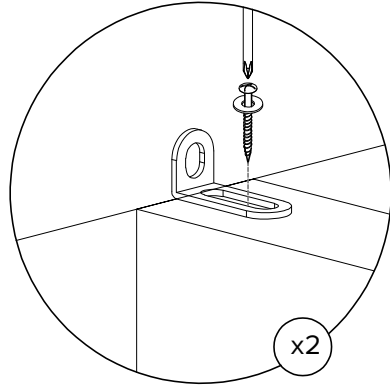
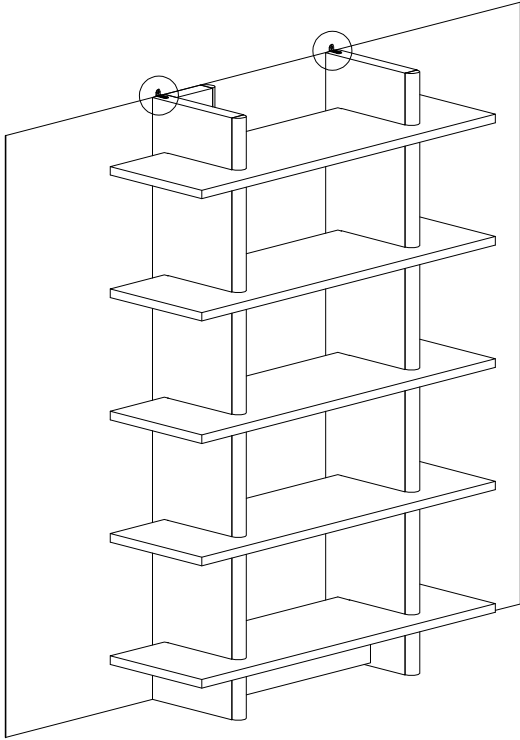
REQUIRED TOOL

PARTS INVENTORY CONT.		
ID	DESCRIPTION	QTY
N	BRACKET 	2
O	M8 × 51MM PLUG 	2
P	M6 × 70MM SCREW 	2
Q	M4 × 15MM SCREW 	2
R	WASHER 	2

 Hardware (O/P) to attach brackets to wall is designed for drywall. To attach this unit to another type of wall, consult with your local hardware store.

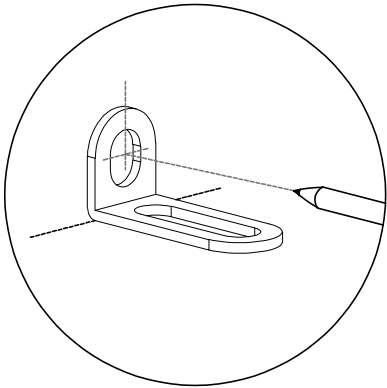
# ARTICLE.

1

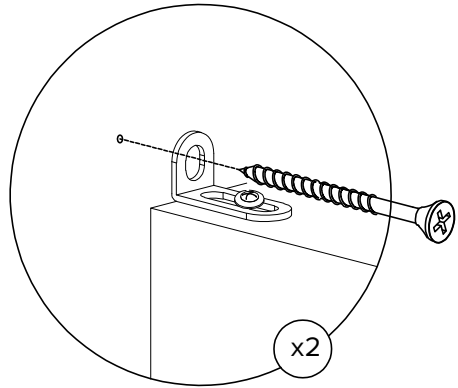


! Attach the bracket (A) into the top shelf as shown in the illustration. use screw (B) and washer (E) to attach the bracket into the pre-drilled hole underside of top shelf.

2



Place unit in desired location and mark on wall where holes should be drilled.



Drill holes into drywall, and attach unit to wall with appropriate hardware.