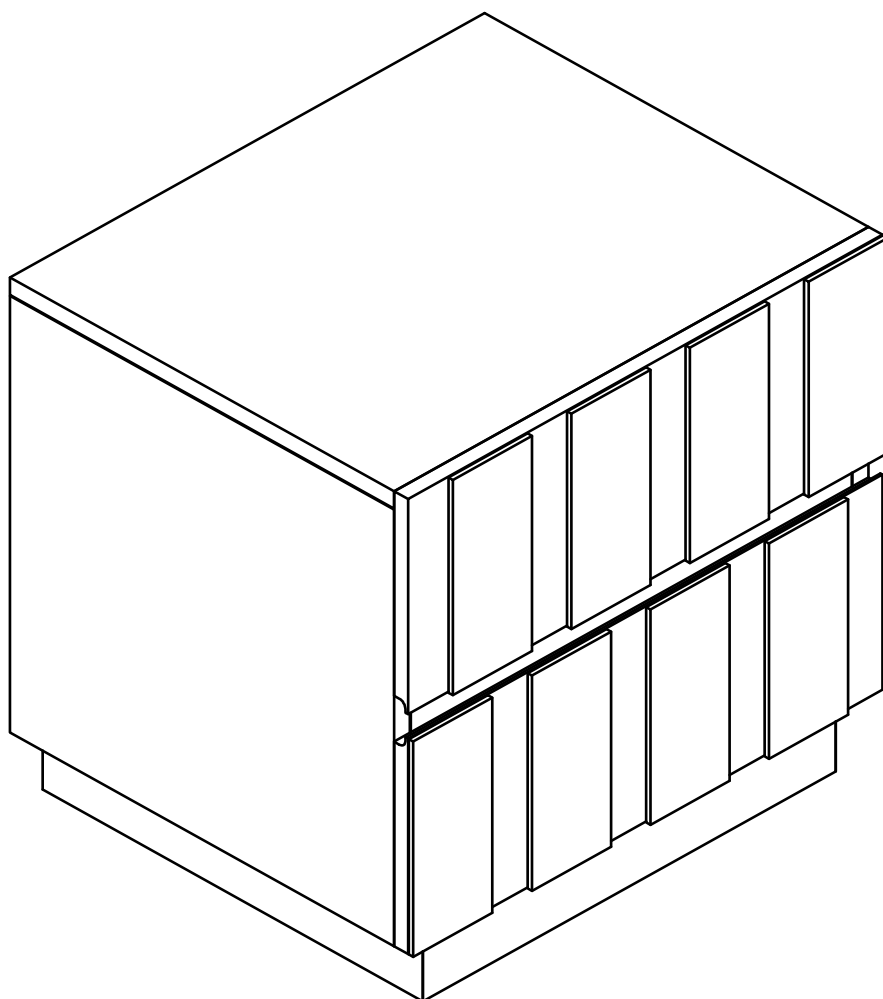


ARTICLE.

VERSION 1.0

Assembly Instructions



MARKO

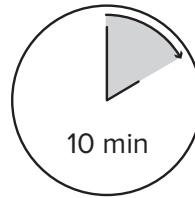
2-Drawer Nightstand

ASSEMBLY INSTRUCTIONS

Read these instructions carefully and keep for future reference. Refer to parts inventory for guidance, and ensure you have all pieces before starting.

When assembling, place all parts on a soft, clean, and flat surface such as a carpet to prevent scratches.

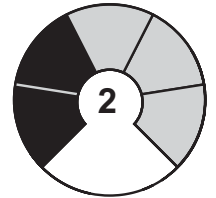
If you're having difficulty, our friendly Customer Care team is always here to help. Call us at **1.888.746.3455** during business hours, email service@article.com or chat live at article.com.



TIME



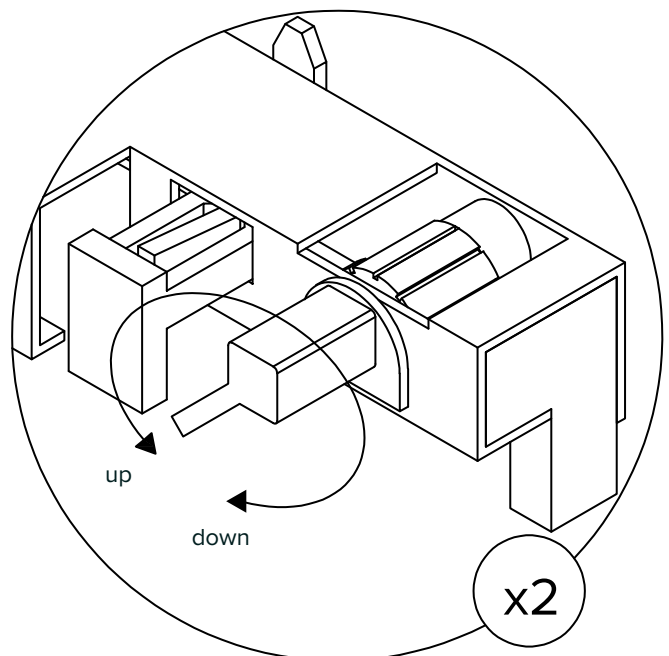
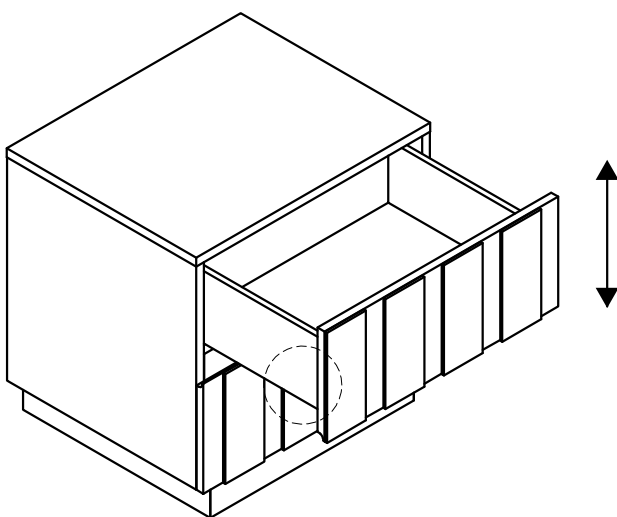
OF PEOPLE



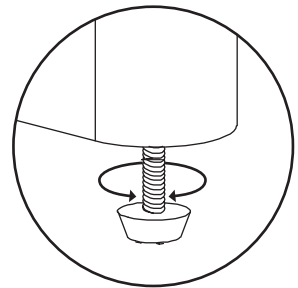
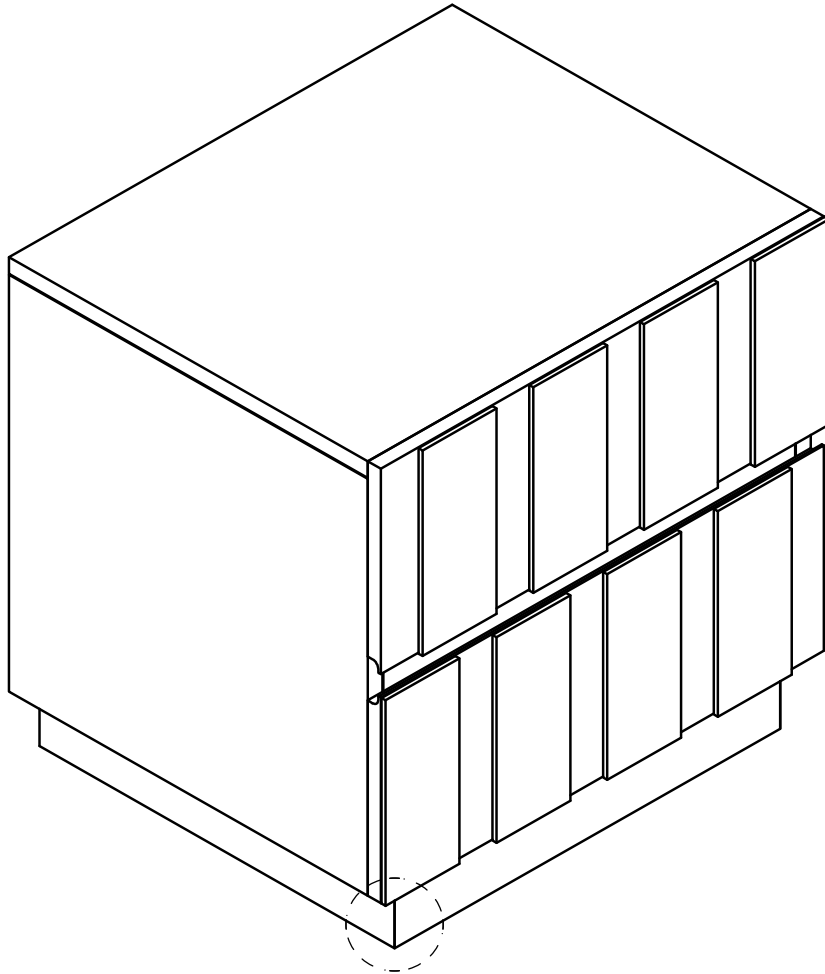
DIFFICULTY

! During shipping, the drawers may have shifted slightly. This can easily be corrected as below instructions. Always start by adjusting on the affected drawers.

FIX A CROOKED DRAWER



! Adjust a drawer up and down.



! Adjust levelers as needed.