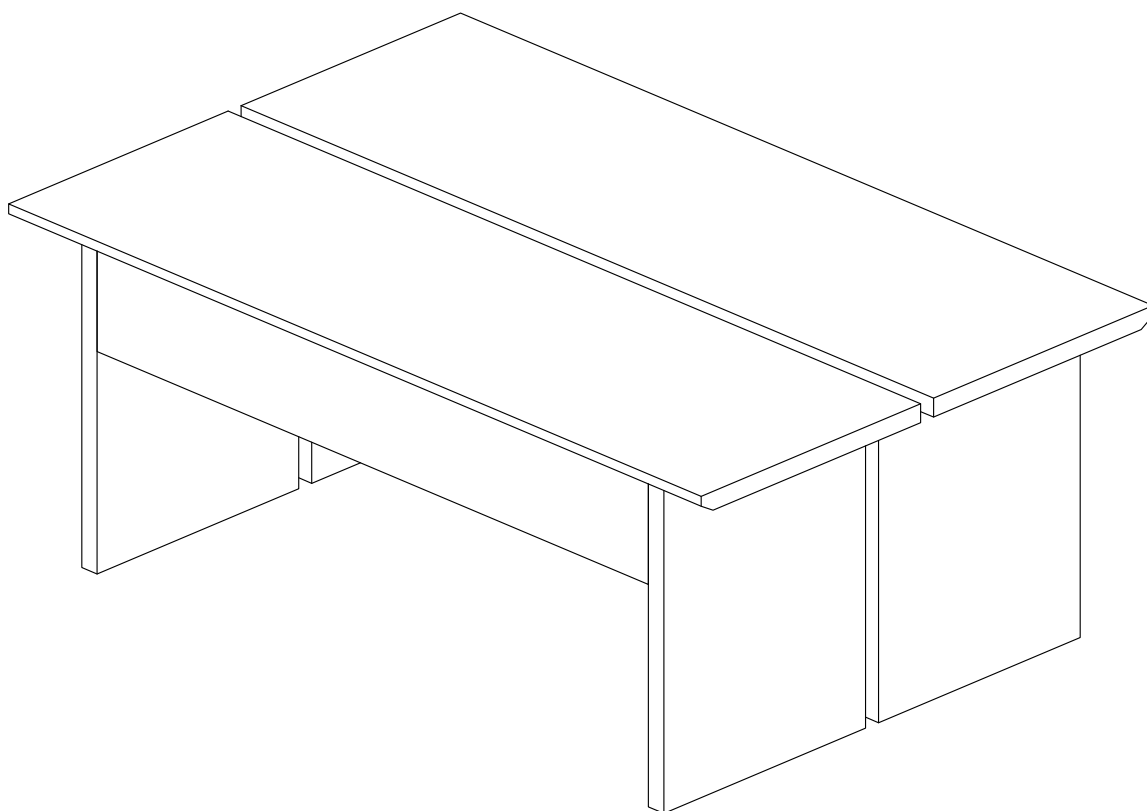


ARTICLE.

VERSION 1.0

Assembly Instructions



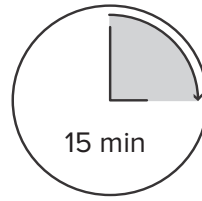
KARL
Coffee Table

ASSEMBLY INSTRUCTIONS

Read these instructions carefully and keep for future reference. Refer to parts inventory for guidance, and ensure you have all pieces before starting.

When assembling, place all parts on a soft, clean, and flat surface such as a carpet to prevent scratches.

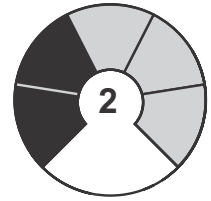
If you're having difficulty, our friendly Customer Care team is always here to help. Call us at **1.888.746.3455** during business hours, email service@article.com or chat live at [article.com](https://www.article.com).



TIME


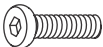





OF PEOPLE

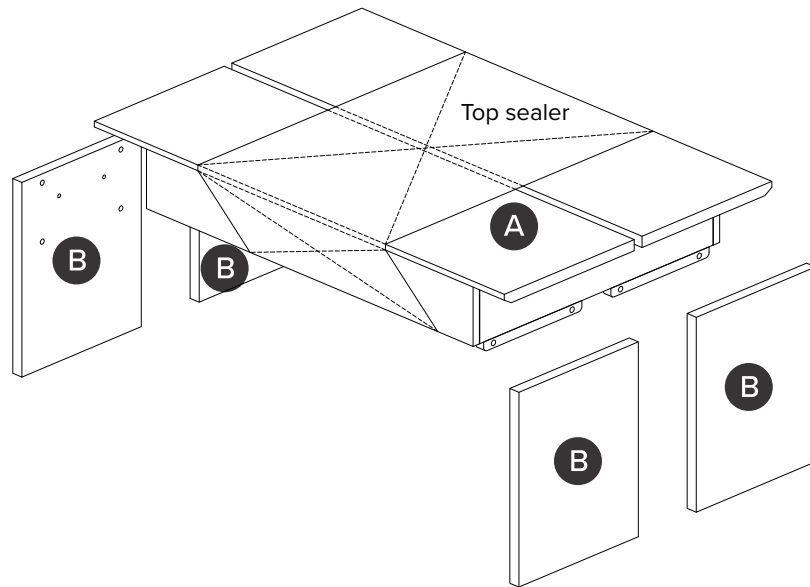


DIFFICULTY

PARTS INVENTORY		
ID	DESCRIPTION	QTY
A	TOP BODY	1
B	LEG PANELS	4

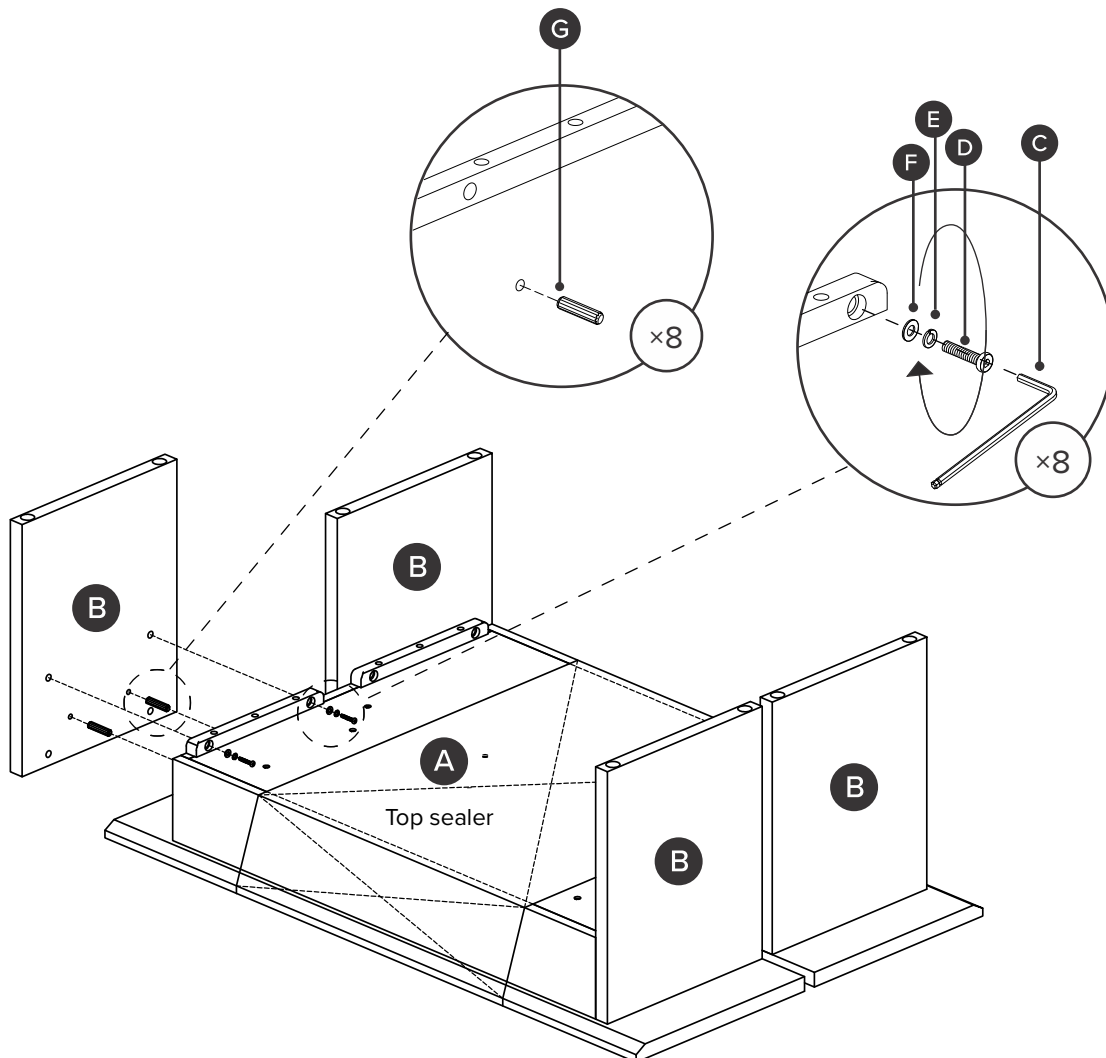
PARTS INVENTORY CONT.		
ID	DESCRIPTION	QTY
C	ALLEN KEY 	1
D	M8 × 35MM BOLT 	16
E	M8 WASHER 	16
F	M8 FLAT WASHER 	16
G	WOODEN DOWEL 	8

i



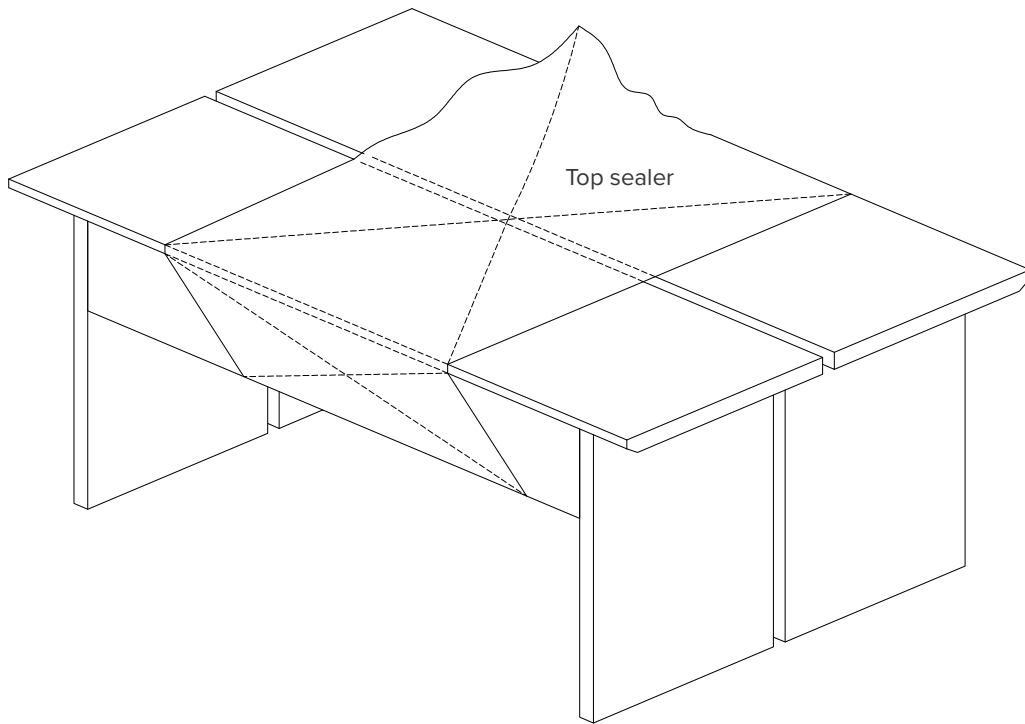
! Do not open the top sealer before step 2 completion !

1

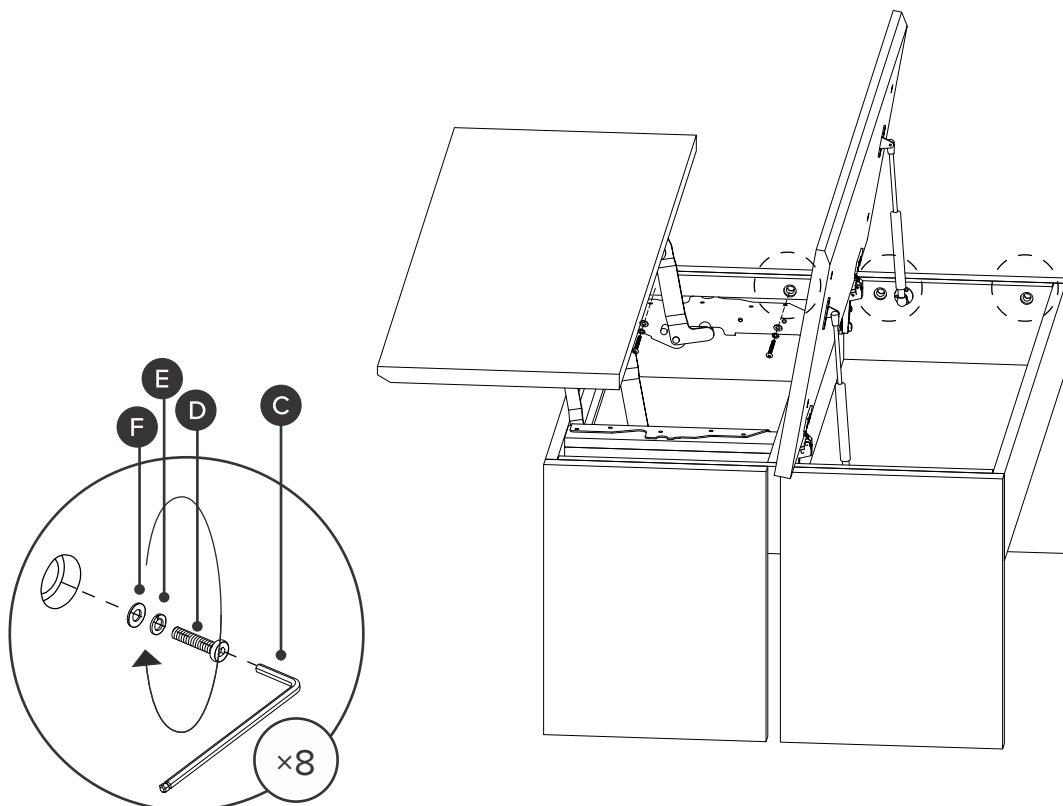


2

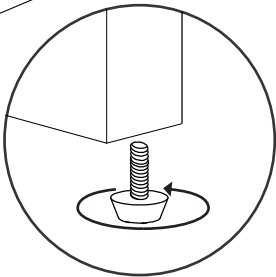
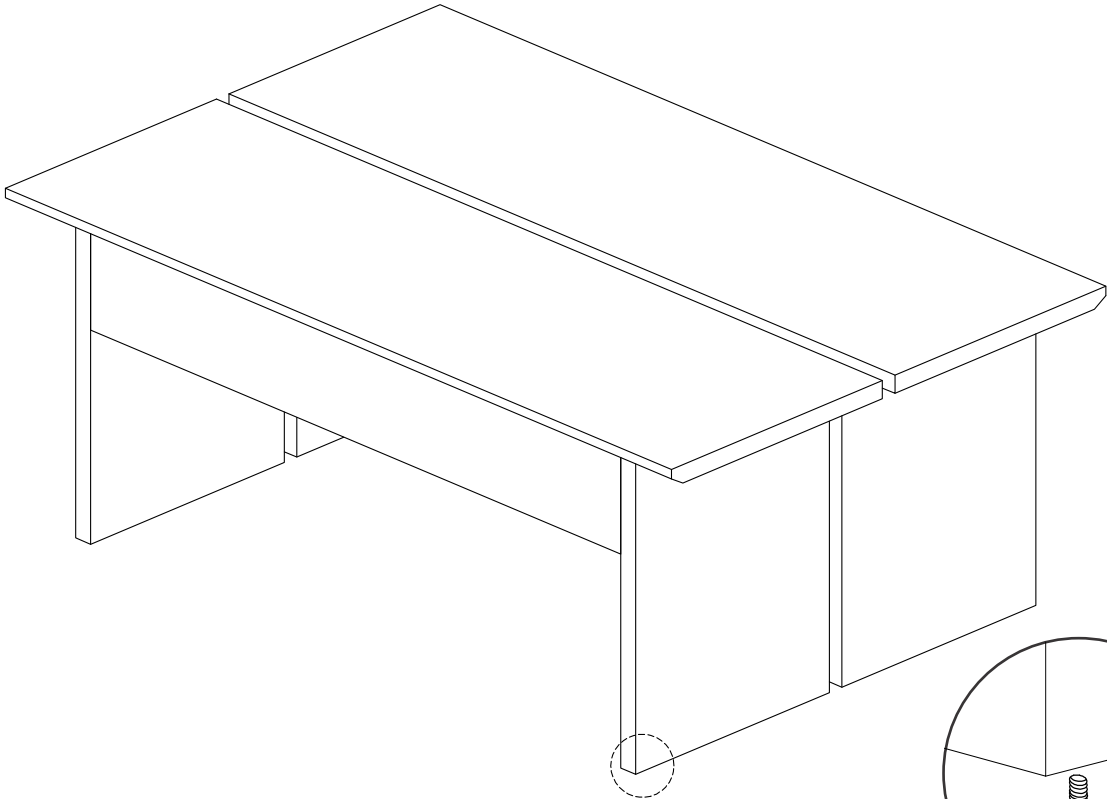
! Only open this sealing sheet when the table top is at proper position.



3



4



! Adjust leveler as needed.