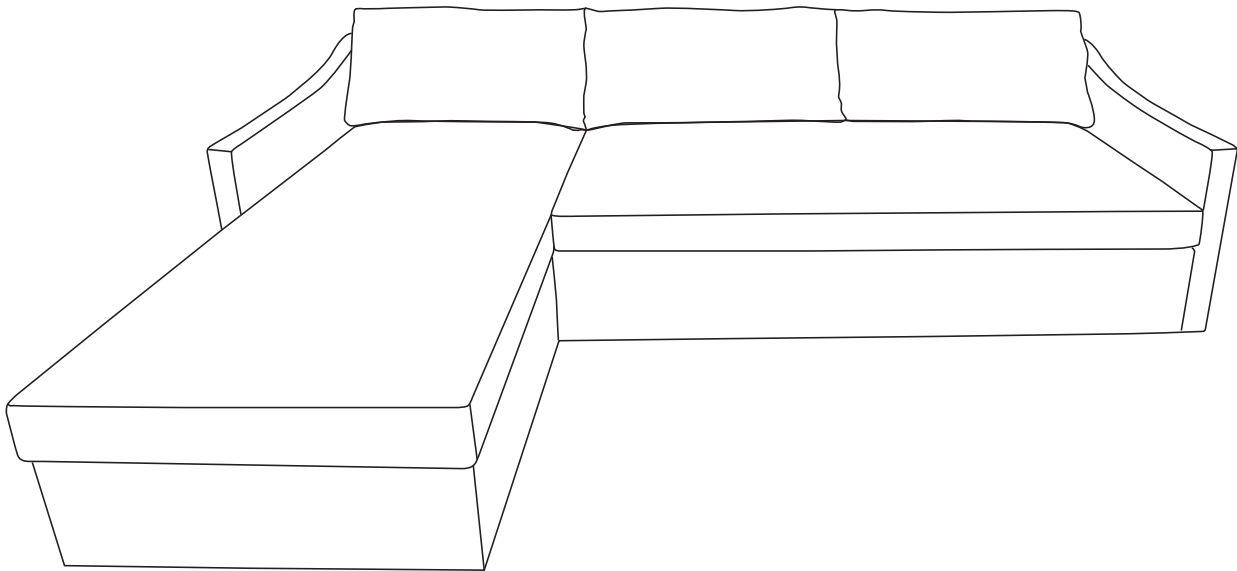


ARTICLE.

VERSION 1.0

Assembly Instructions

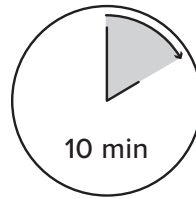


LANDRY

Left Chaise Sectional

ASSEMBLY INSTRUCTIONS

Read these instructions carefully and keep for future reference. Refer to parts inventory for guidance, and ensure you have all pieces before starting. When assembling, place all parts on a soft, clean, and flat surface such as a carpet to prevent scratches. If you're having difficulty, our friendly Customer Care team is always here to help. Call us at **1.888.746.3455** during business hours, email **service@article.com** or chat live at **article.com**.

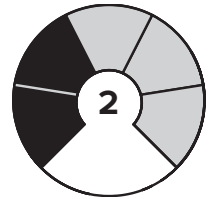


10 min

TIME

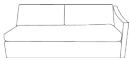






OF PEOPLE



2

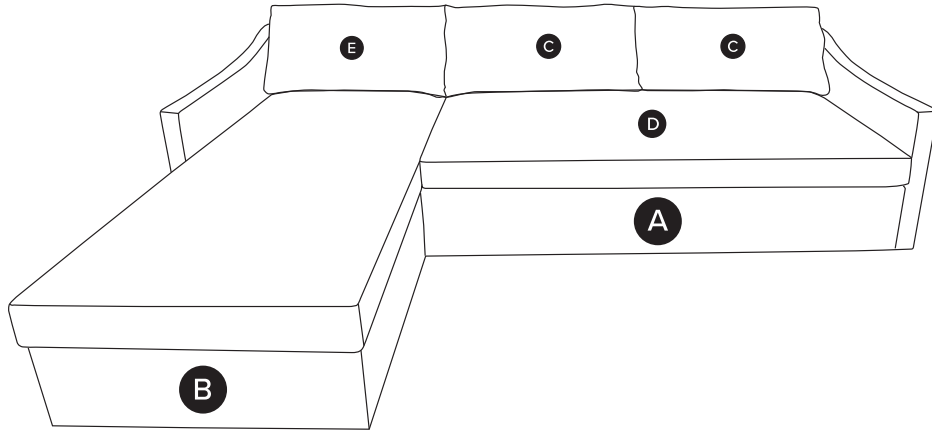
DIFFICULTY

PARTS INVENTORY		
ID	DESCRIPTION	QTY
A	SOFA BED SECTION 	1
B	CHAISE SECTION 	1
C	SOFA BED PILLOW 	2
D	SOFA BED SEAT CUSHION 	1
E	CHAISE PILLOW 	1

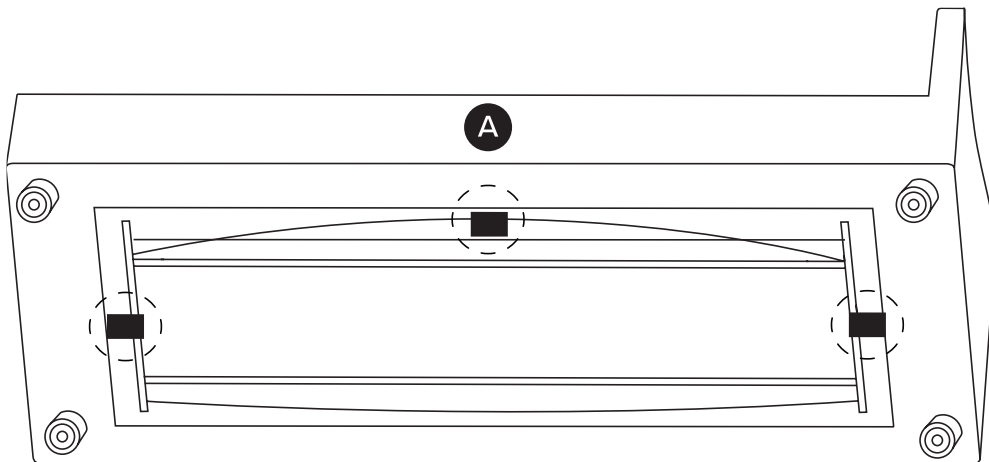
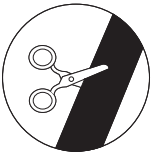


- After using the bed, leave it open for a few hours to ensure the mattress has the opportunity to air out before packing away. People expel a surprising amount of moisture while sleeping, and it's important to give the mattress the chance to dry.
- If you are using the mattress/bed functionality regularly, flip the mattress over to allow the underside to air out too. Just be sure to flip it back so you only sleep on the memory foam (the white quilted side).
- To clean your removable mattress cover, hand wash gently in cold water and hang to dry. Make sure it is completely dry before putting it back on your mattress.
- If you live in an older home, a humid climate, or keep the sofa bed in a room that is below ground-level, we recommend using a dehumidifier to protect your furniture from moisture.

i



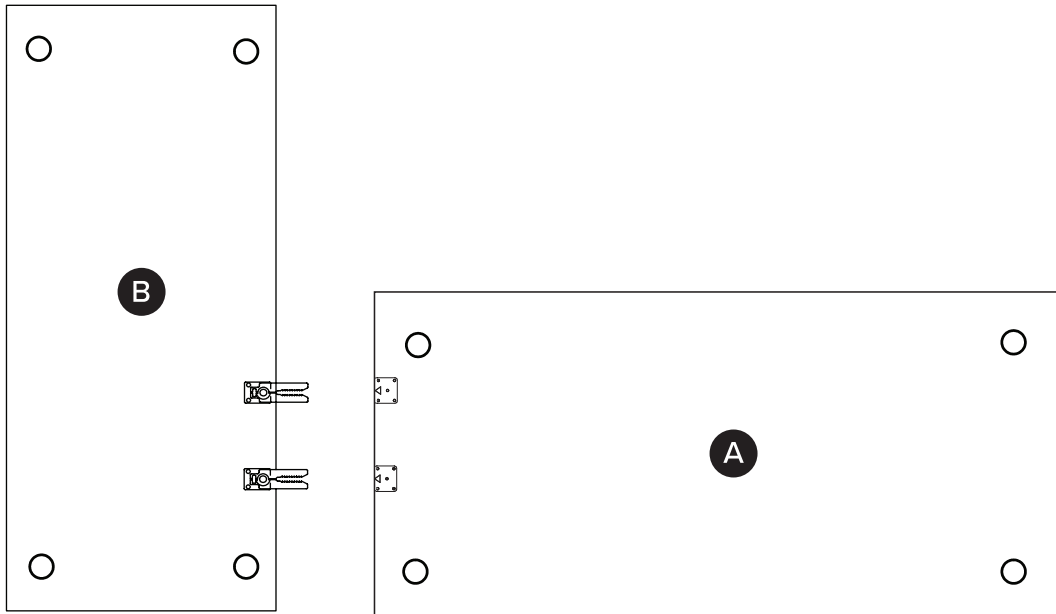
ii



!

Before pulling out of the sofa bed ensure strips are removed.

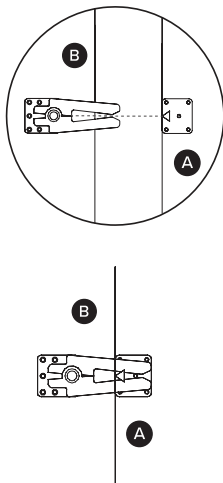
1



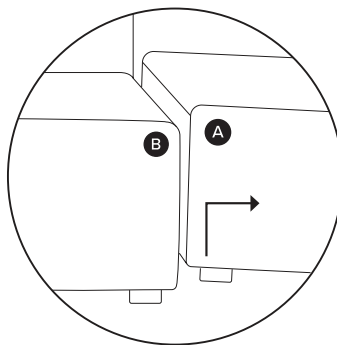
LEFT CHAISE STORAGE

SOFA BED SLEEPER

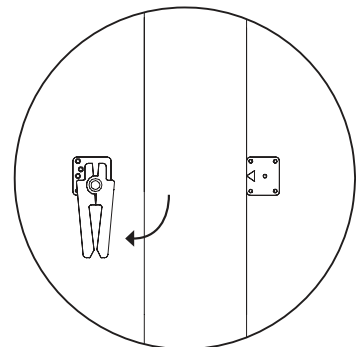
2



Align alligator clips and pegs, then push sofa modules together firmly.

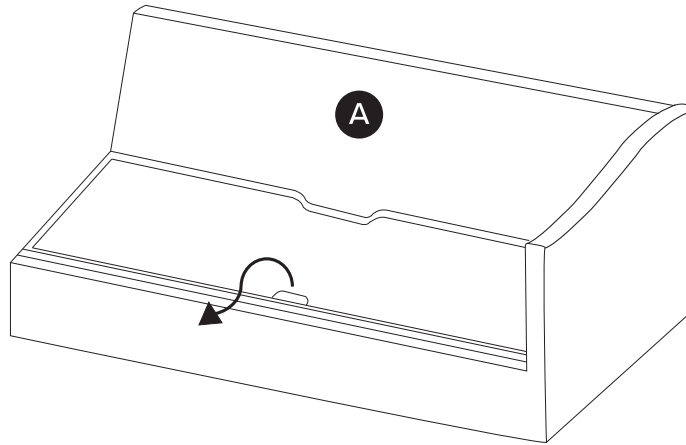


To separate sections, lift section with pegs straight up and out of the teeth of the clips.



Rotate clips underneath furniture when not in use.

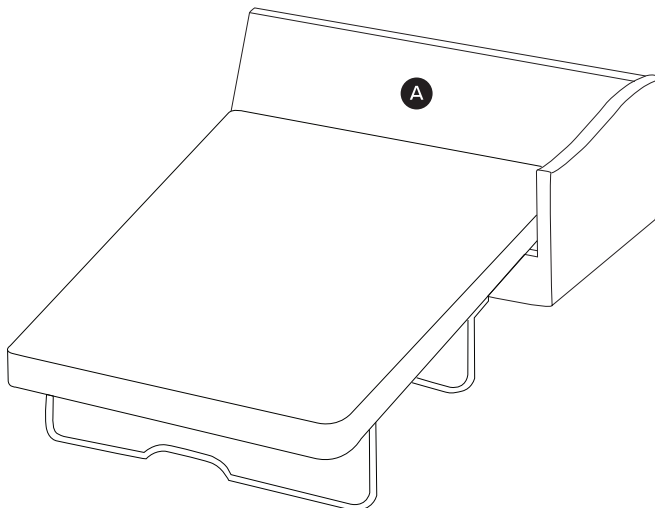
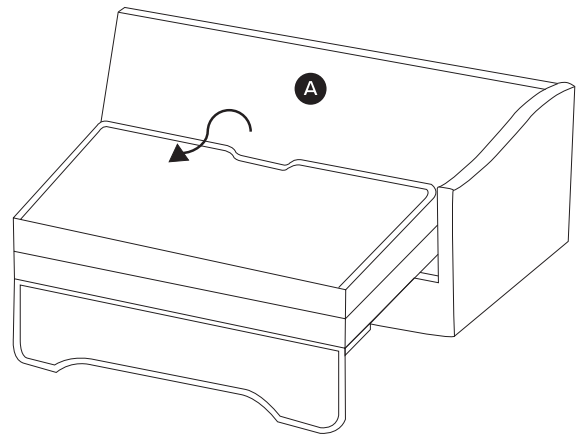
3



i Remove the seat cushion and pillows.
Use the handle at the front edge of the sofa to pull bed up out.

3B

i Pull second leg up, around, and under to unfold mattress.



4

i Lift up of chaise section on the middle to access storage compartment

