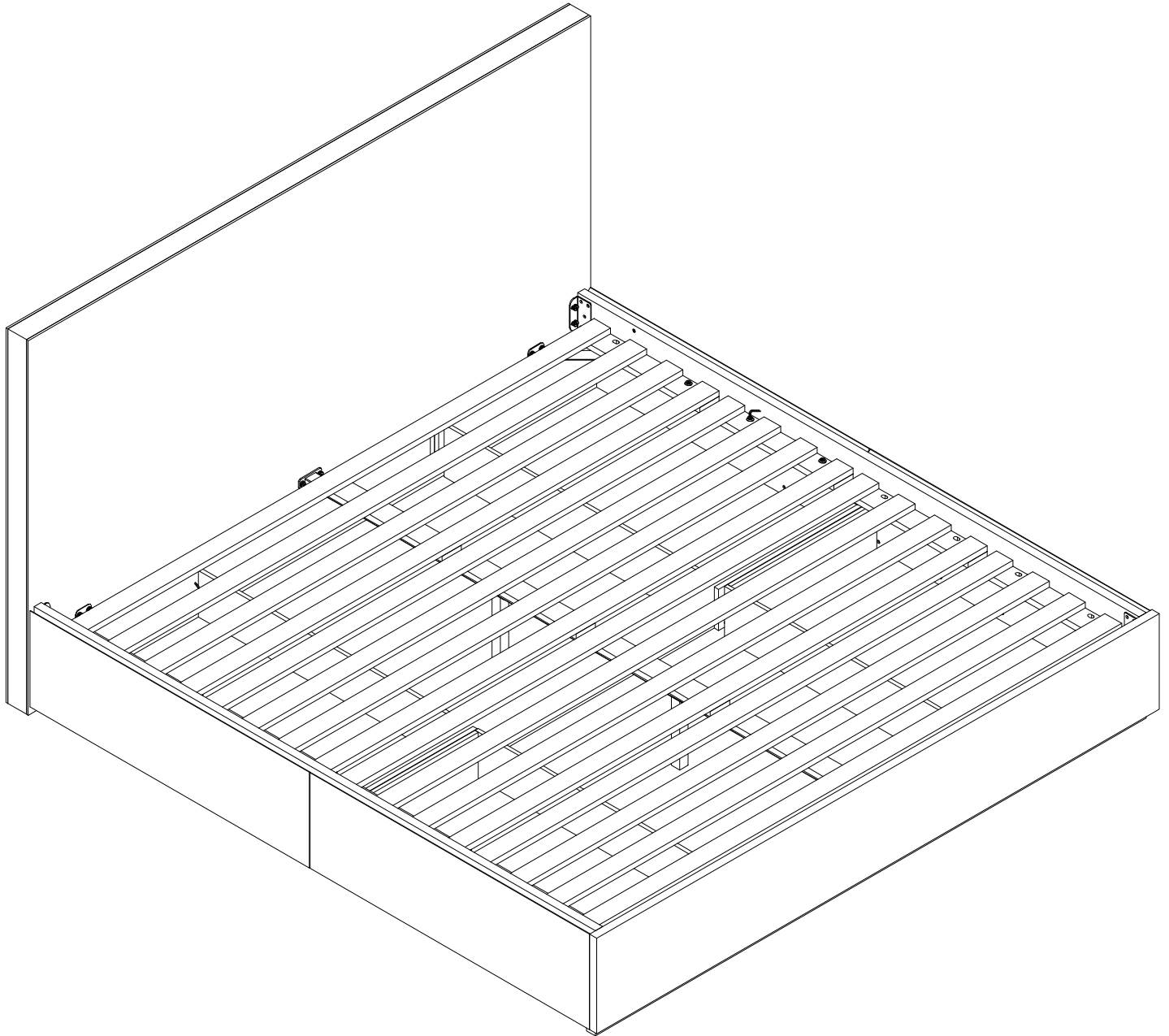


# ARTICLE.

VERSION 1.0

## Assembly Instructions



# LEIF STORAGE

Bed

## ASSEMBLY INSTRUCTIONS

Read these instructions carefully and keep for future reference. Refer to parts inventory for guidance, and ensure you have all pieces before starting.

When assembling, place all parts on a soft, clean, and flat surface such as a carpet to prevent scratches.

If you're having difficulty, our friendly Customer Care team is always here to help. Call us at **1.888.746.3455** during business hours, email **service@article.com** or chat live at **article.com**.



TIME



# OF PEOPLE

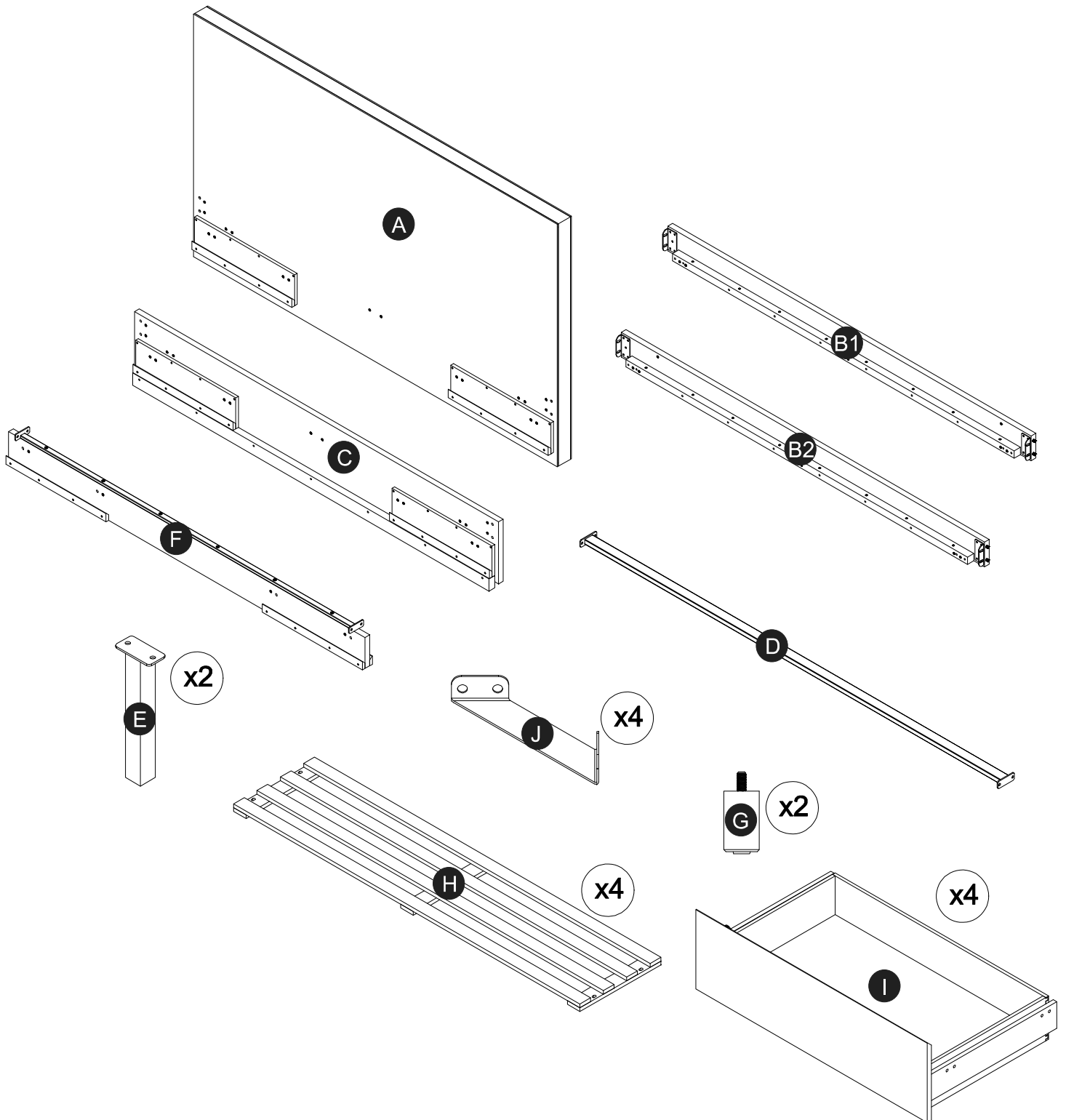


DIFFICULTY

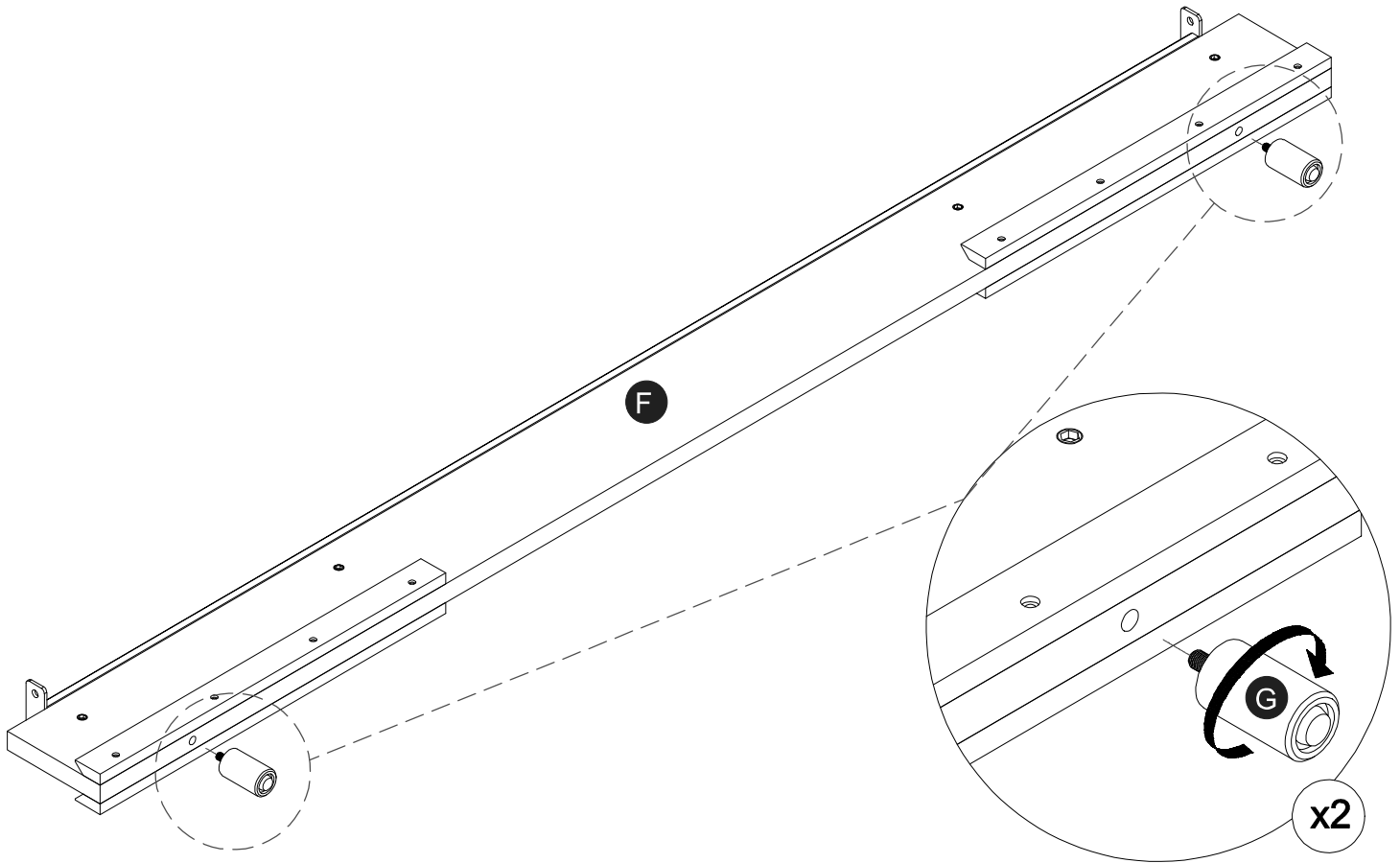


PARTS INVENTORY		
ID	DESCRIPTION	QTY
<b>A</b>	HEADBOARD	1
<b>B1</b>	SIDE RAIL-LEFT	1
<b>B2</b>	SIDE RAIL-RIGHT	1
<b>C</b>	FOOTBOARD	1
<b>D</b>	CENTER BEAM	1
<b>E</b>	CENTER LEG	2
<b>F</b>	MIDDLE BOARD	1
<b>G</b>	SUPPORT LEG	2
<b>H</b>	SLATS	4
<b>I</b>	DRAWERS BOXES	4
<b>J</b>	CORNER BRACKET	4

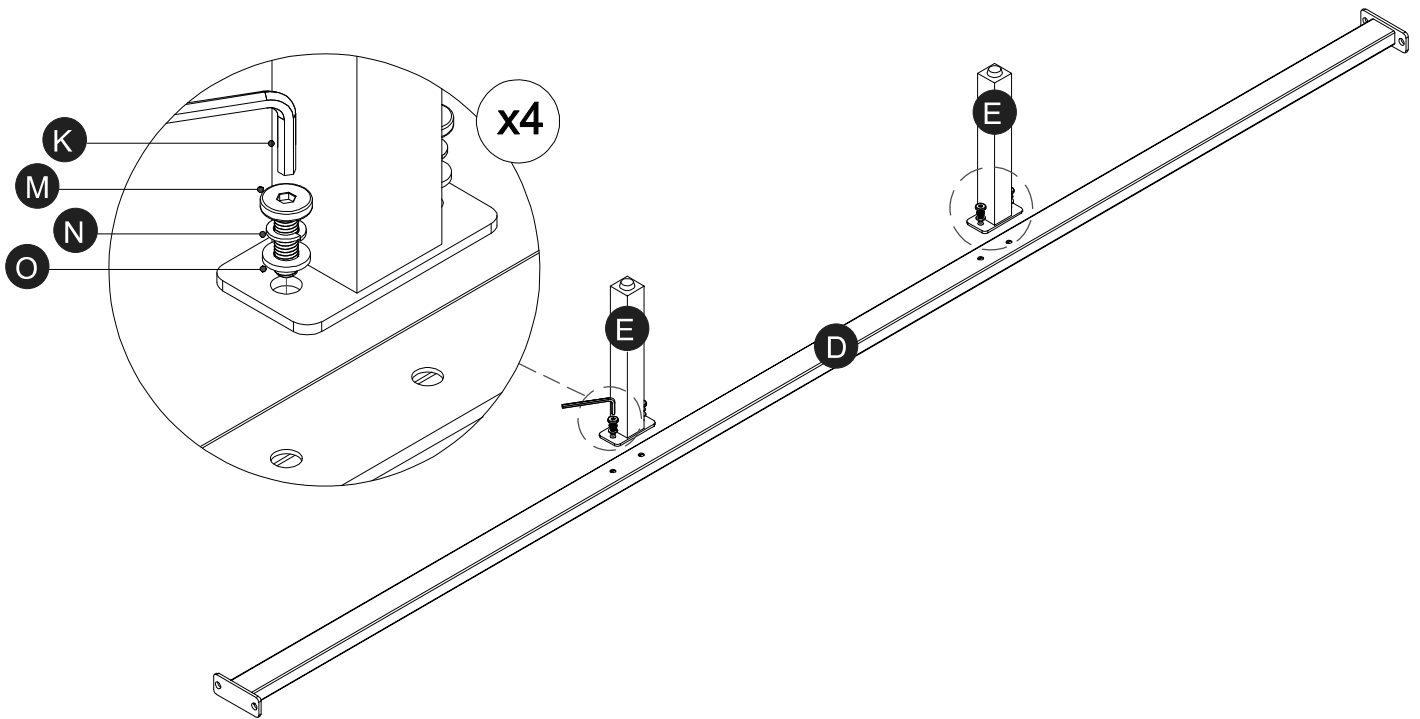
HARDWARE LIST			
ID	DESCRIPTION		QTY
<b>K</b>	ALLEN KEY		2
<b>L</b>	M6 × 35MM BOLT		16
<b>M</b>	M6 × 20MM BOLT		4
<b>N</b>	M6 LOCK WASHER		28
<b>O</b>	M6 WASHER		28
<b>P</b>	M8 × 20MM BOLT		32
<b>Q</b>	M6 × 30MM BOLT		12
<b>R</b>	M8 LOCK WASHER		32
<b>S</b>	M8 WASHER		40
<b>T</b>	BOLT CAPS M6 x 40MM		4



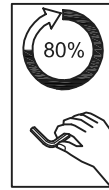
1



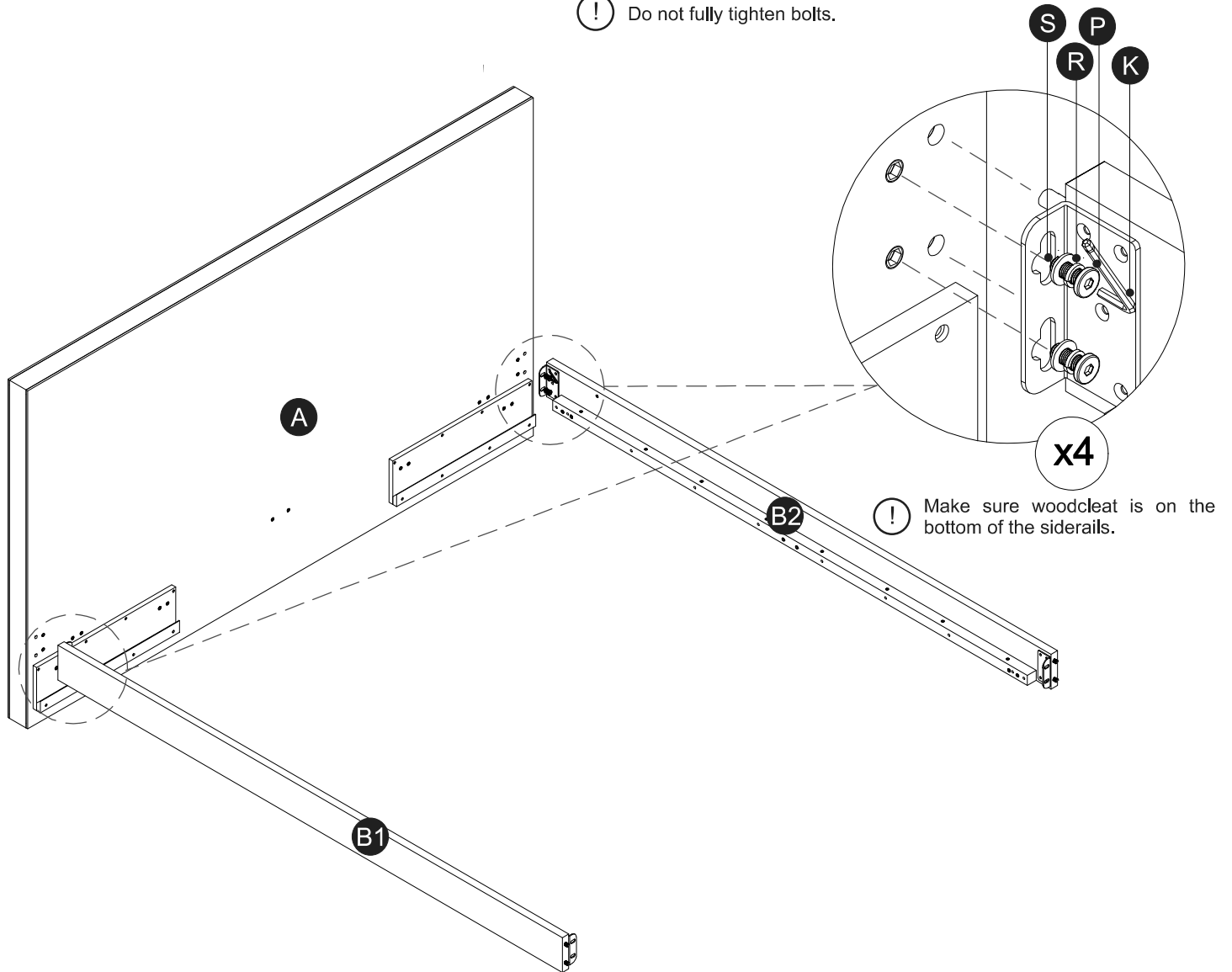
2



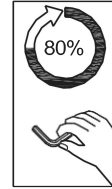
3



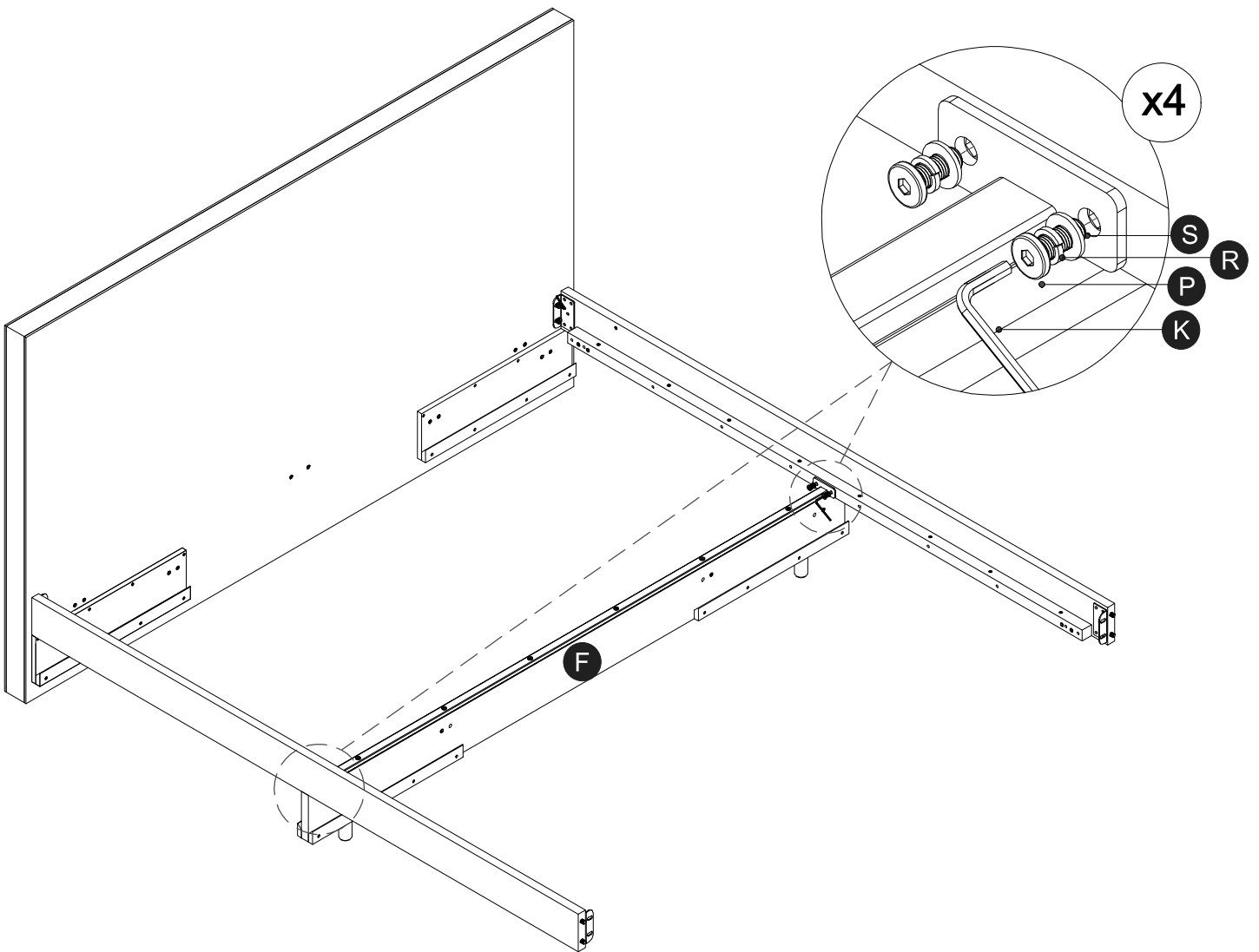
! Do not fully tighten bolts.



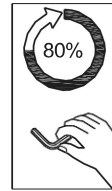
4



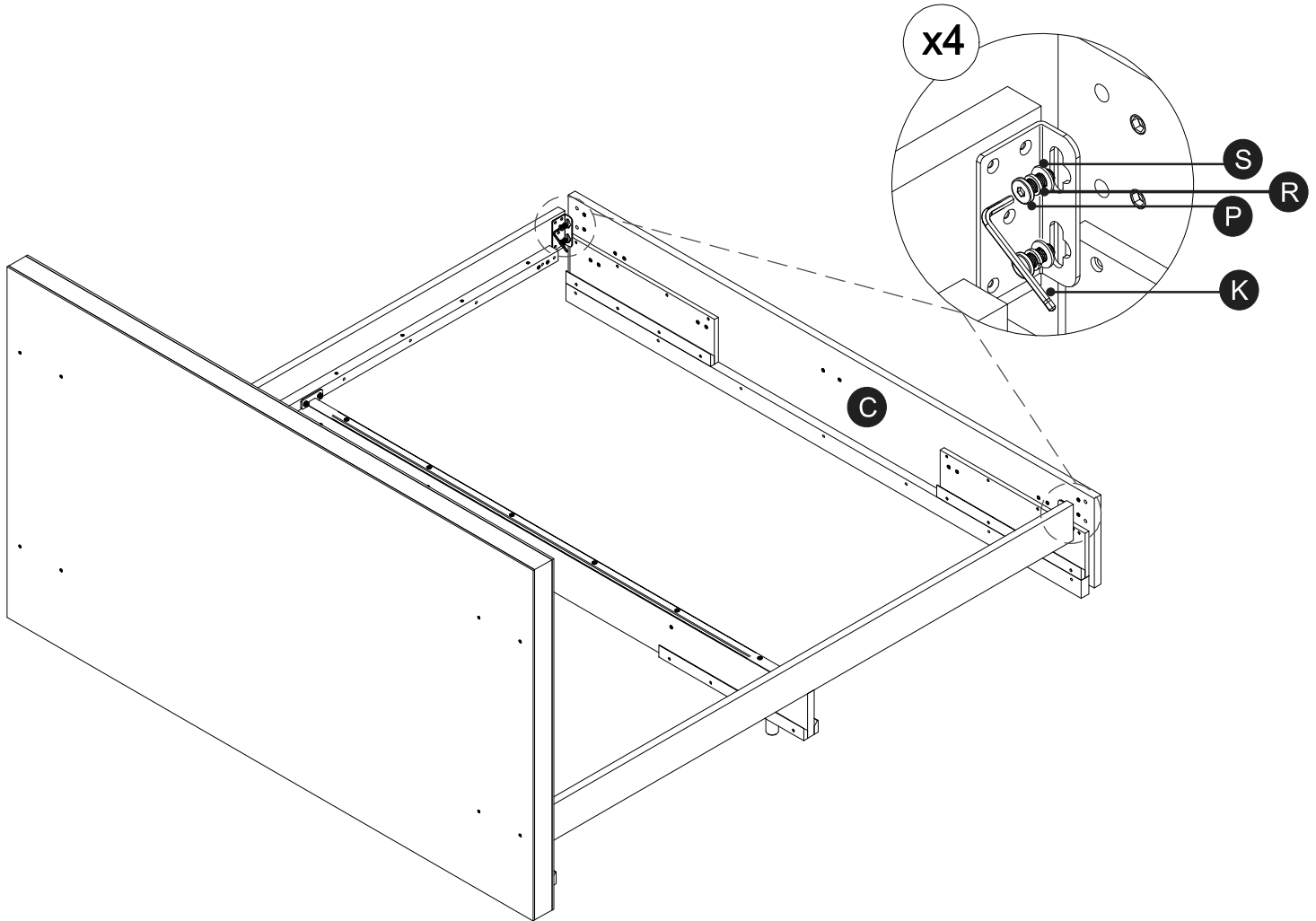
! Do not fully tighten bolts.



5

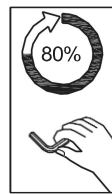


! Do not fully tighten bolts.

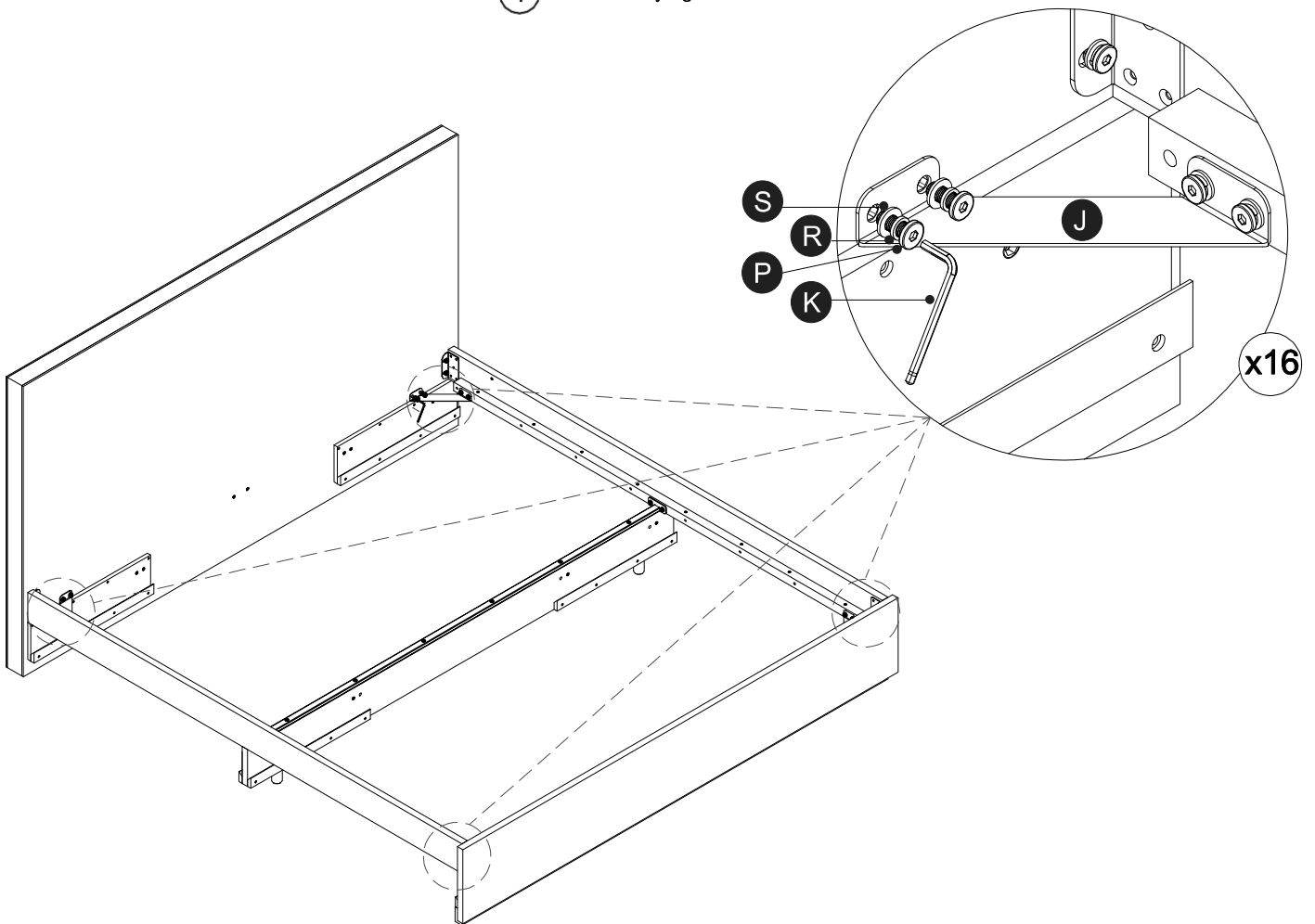




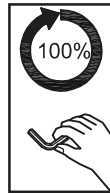
6



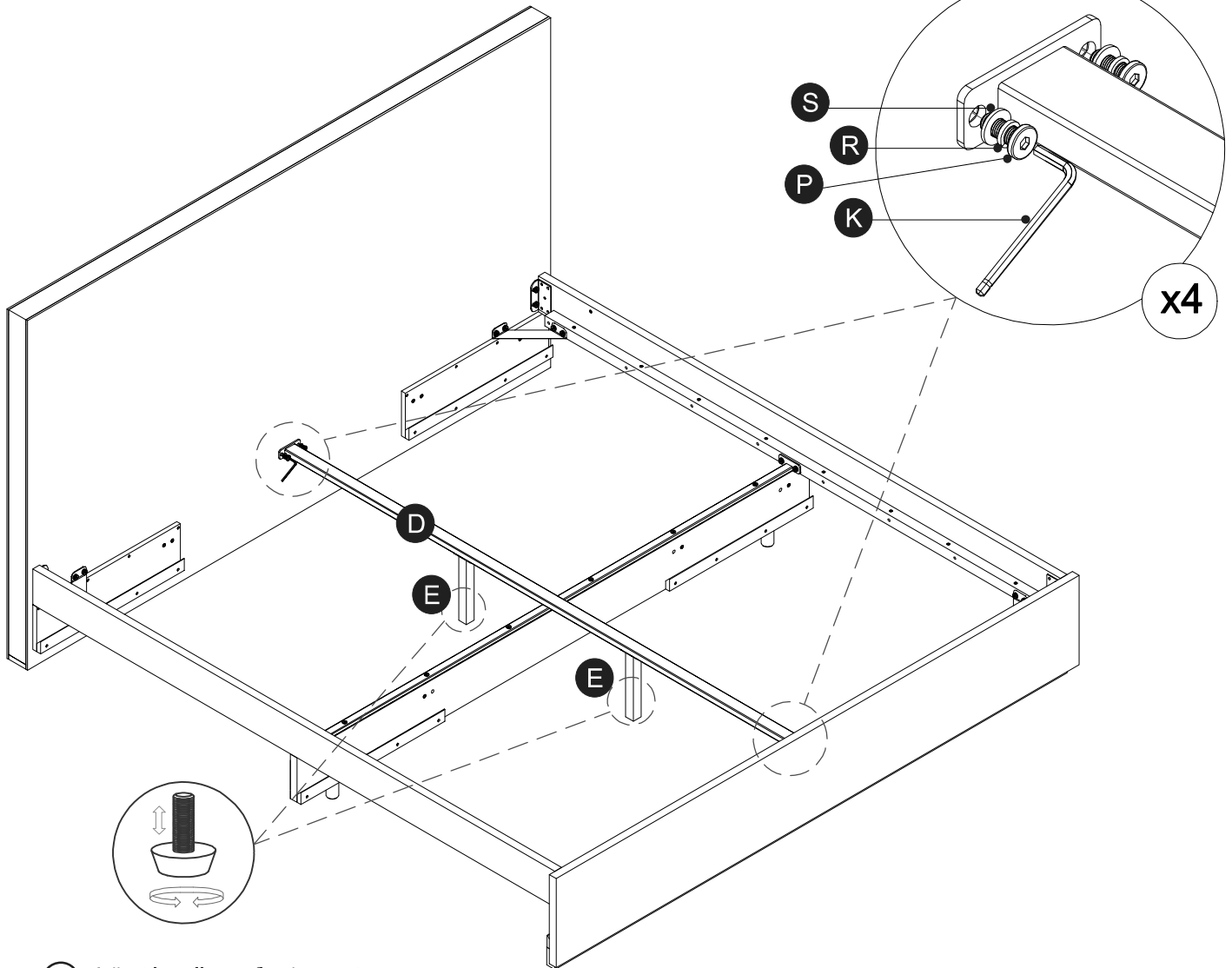
! Do not fully tighten bolts.



7



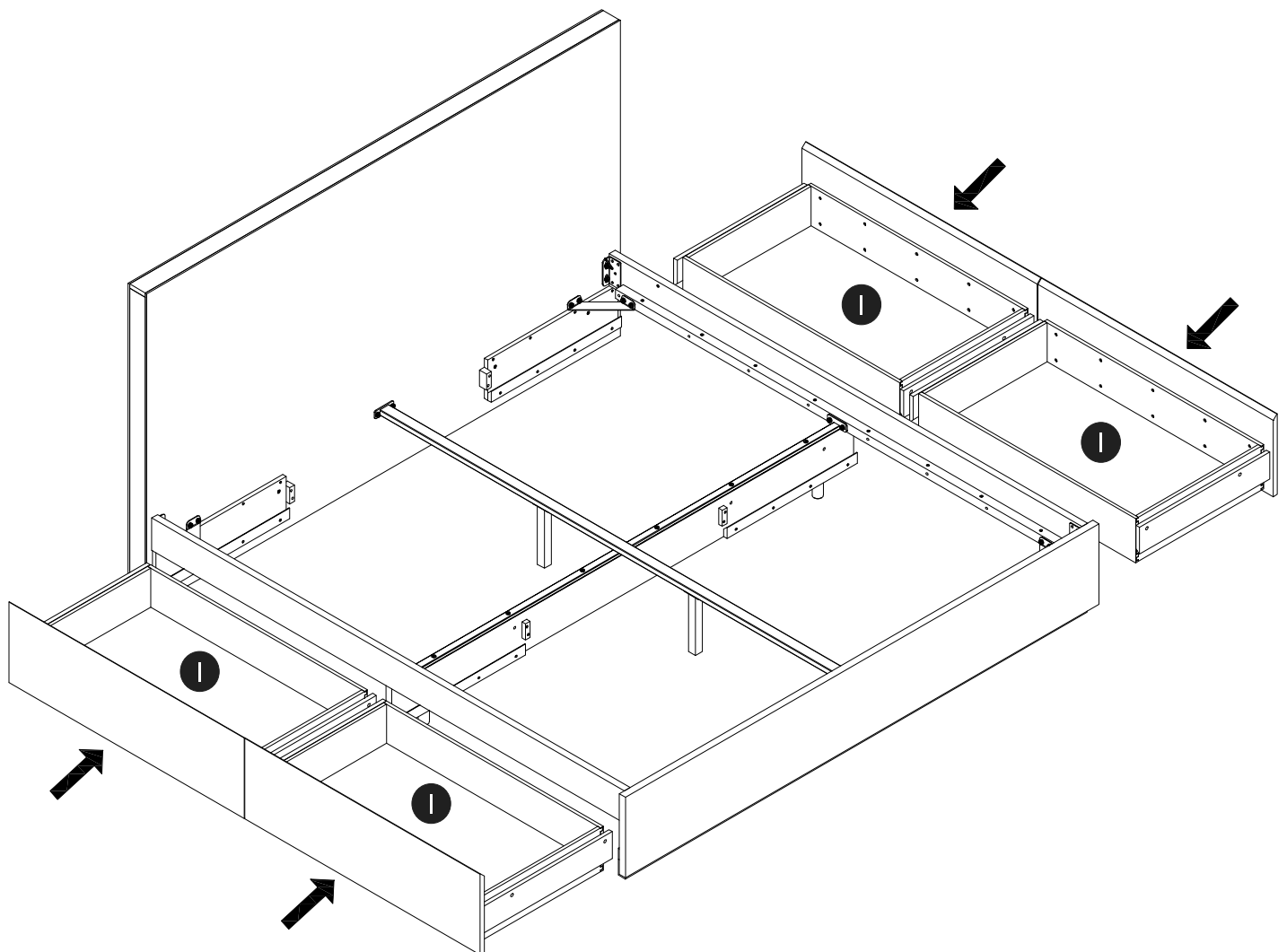
! Fully tighten all bolts on each corners and center frame after assembling the center frame.



! Adjust lever on floating center leg to allow for a 2-3mm clearance

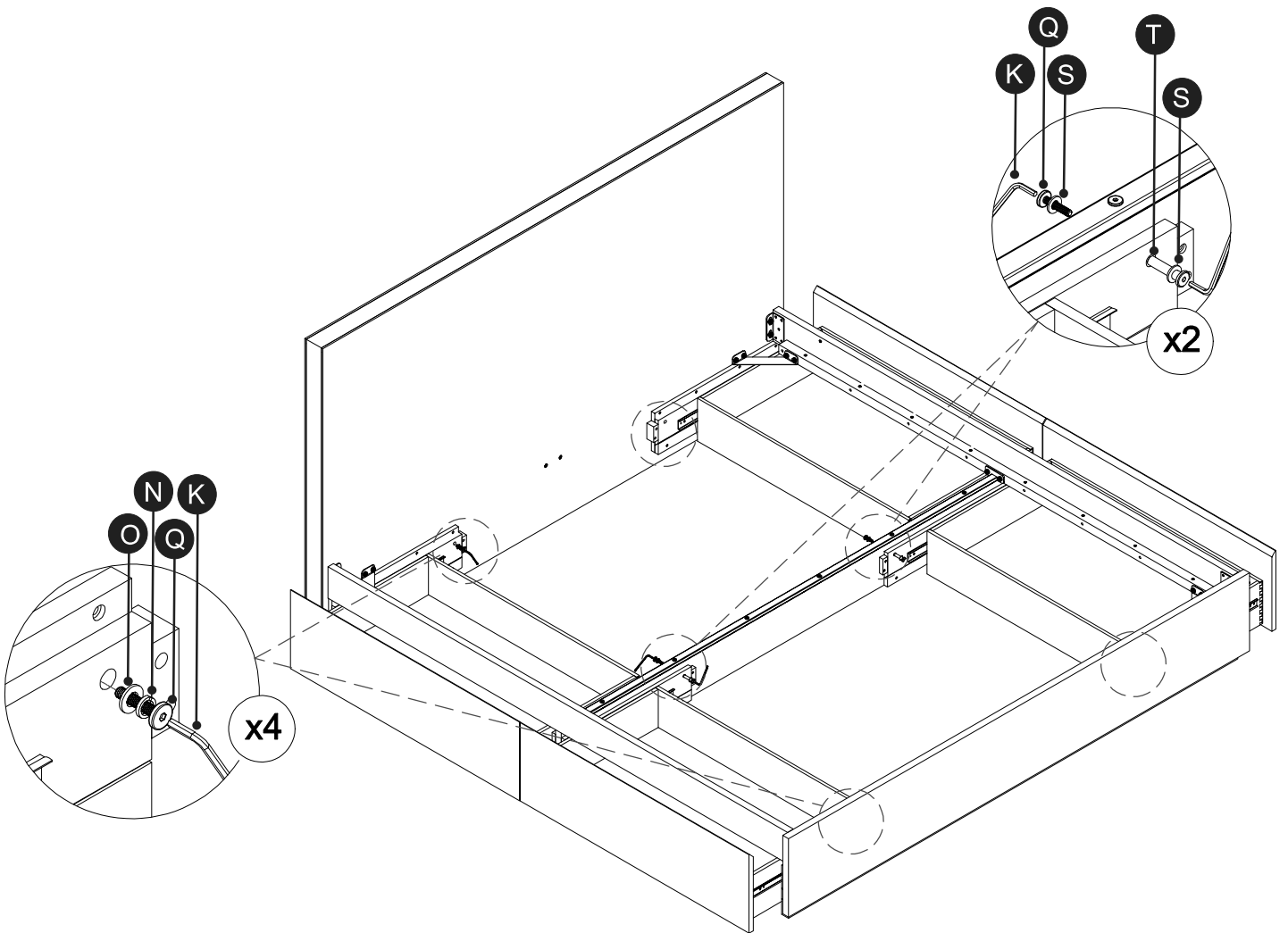
8

! Push drawers boxes in until stop.



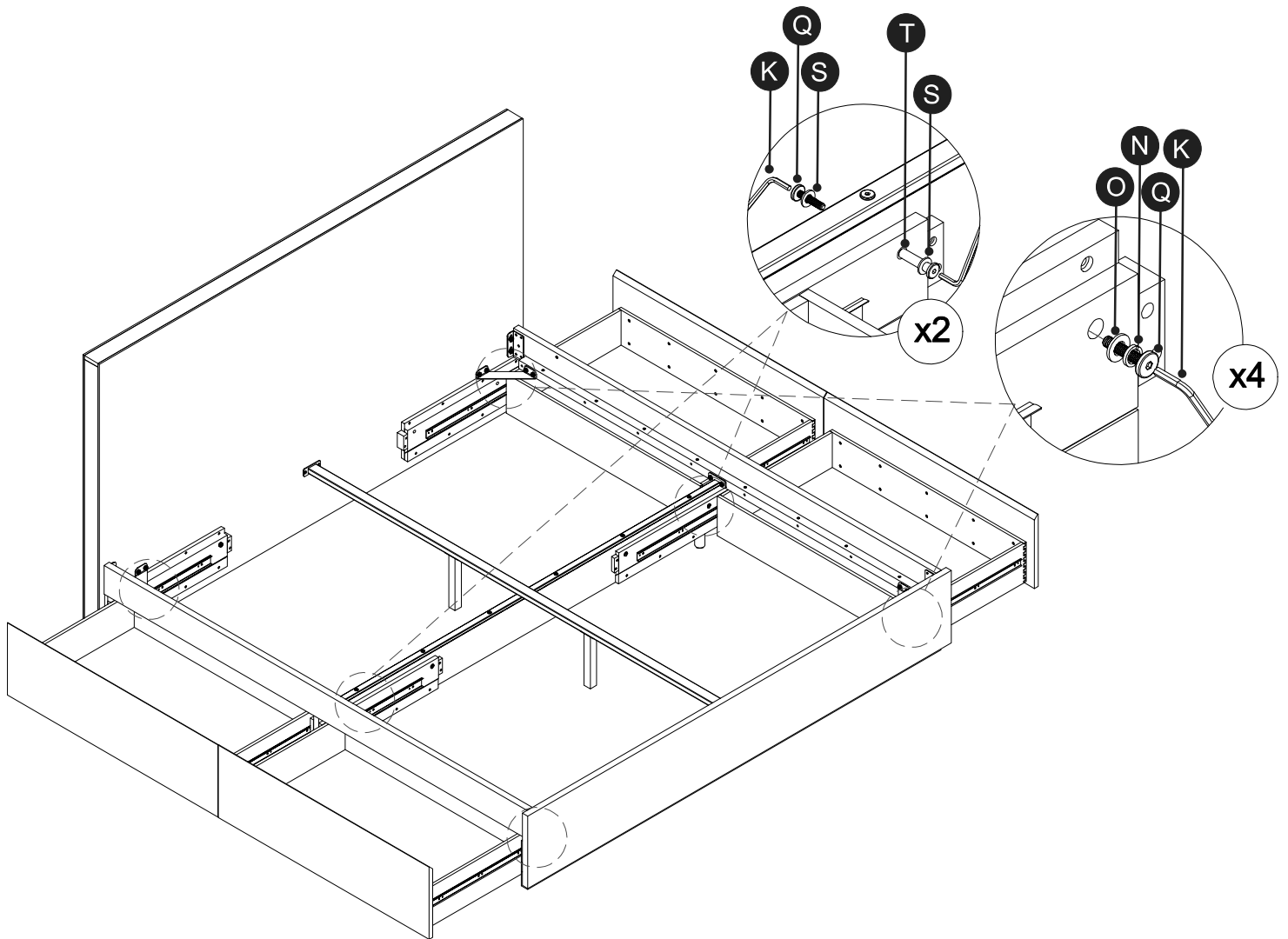
9

ⓘ Pull out the drawers halfway and attach screws.

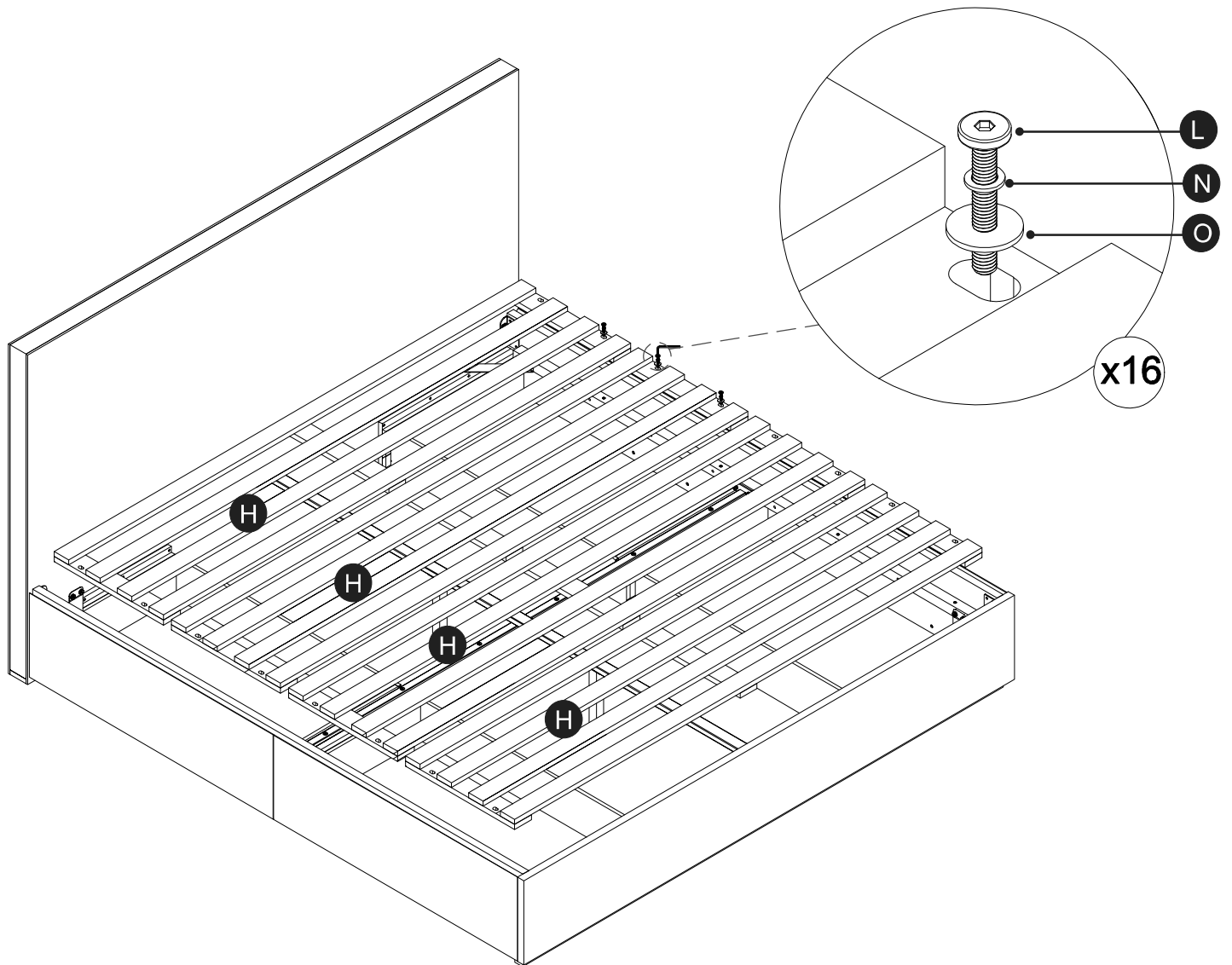


10

ⓘ Pull out drawers fully and insert screws.

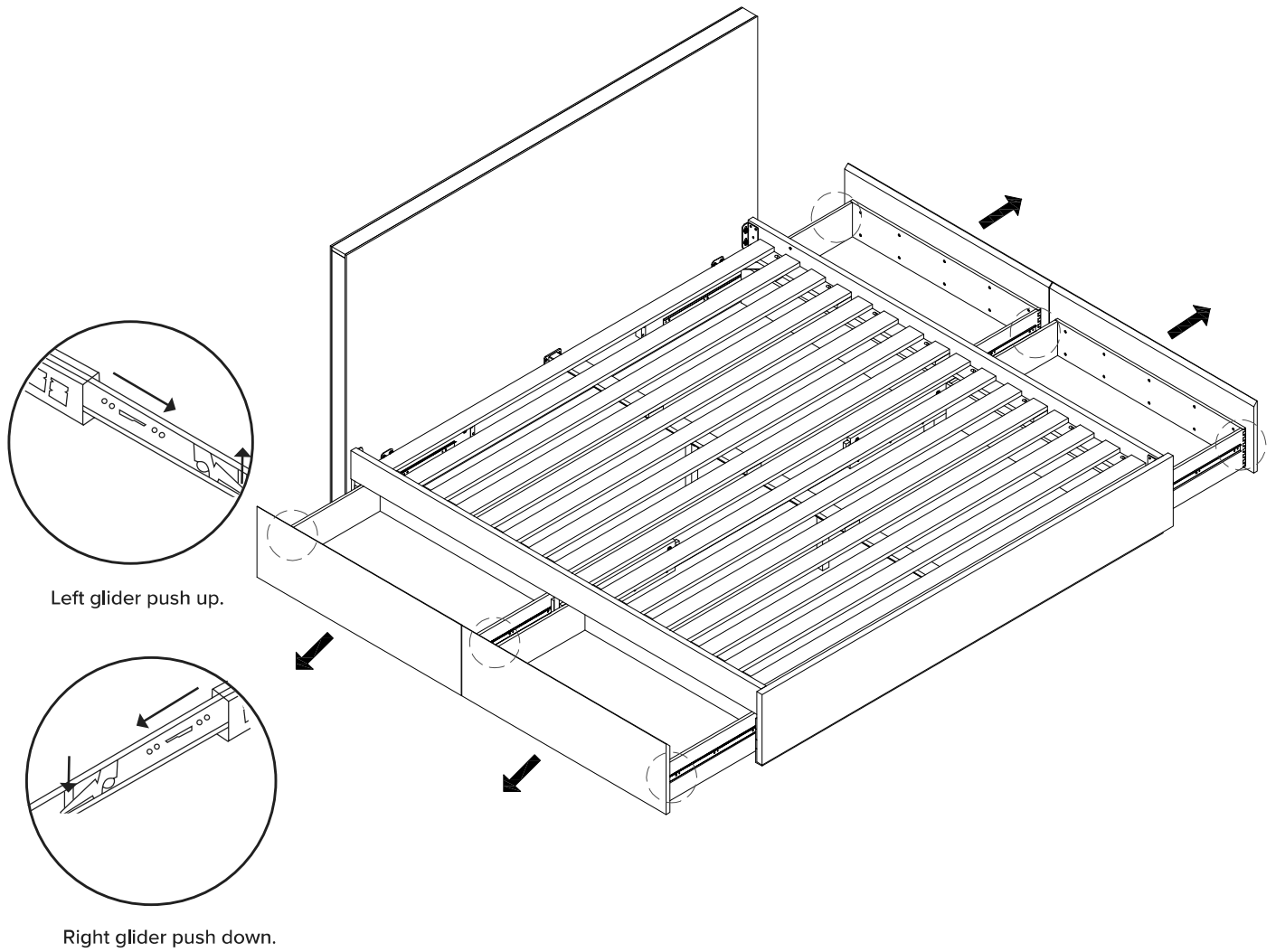


11



12

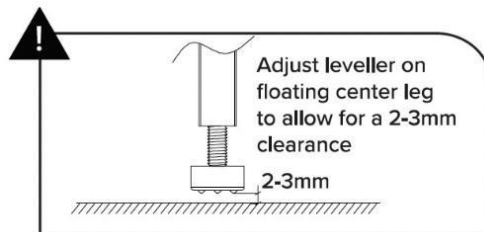
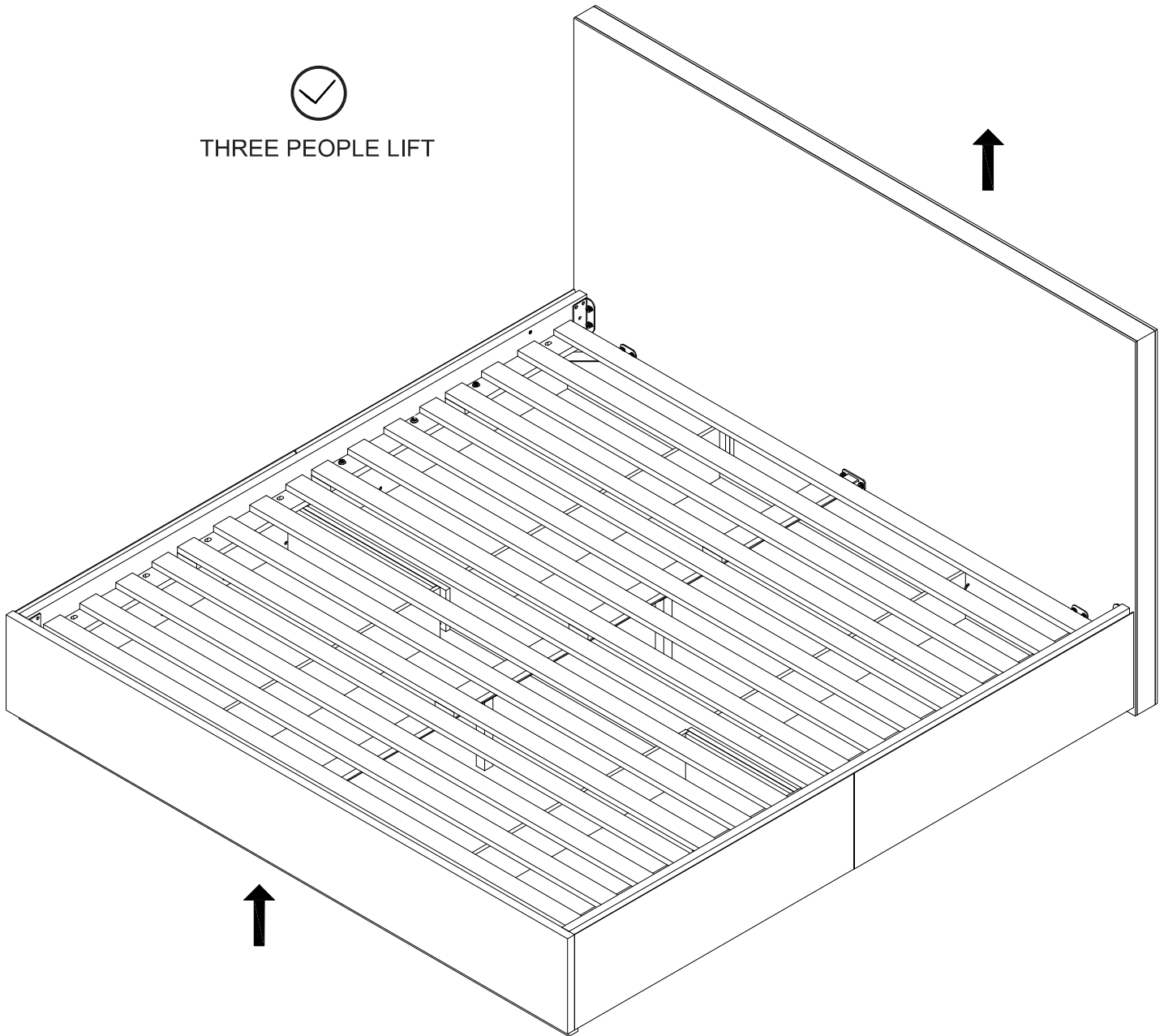
HOW TO REMOVE DRAWERS



13



THREE PEOPLE LIFT

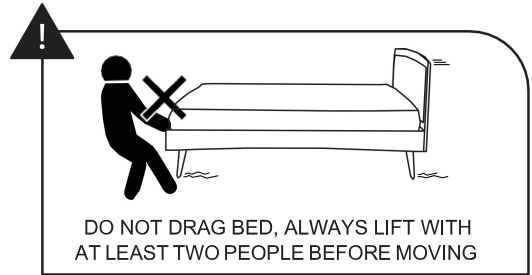
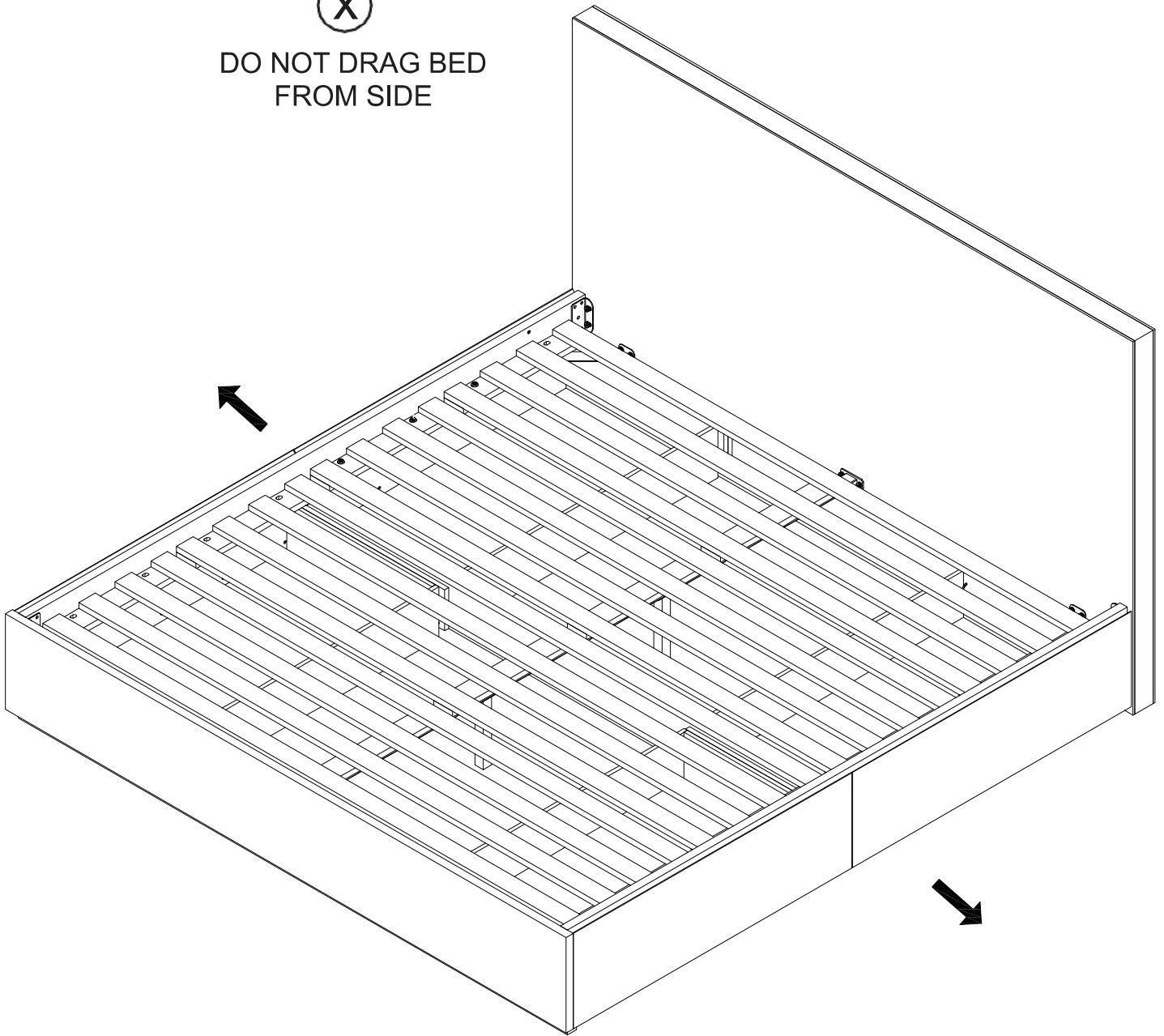




14



DO NOT DRAG BED  
FROM SIDE



DO NOT DRAG BED, ALWAYS LIFT WITH  
AT LEAST TWO PEOPLE BEFORE MOVING