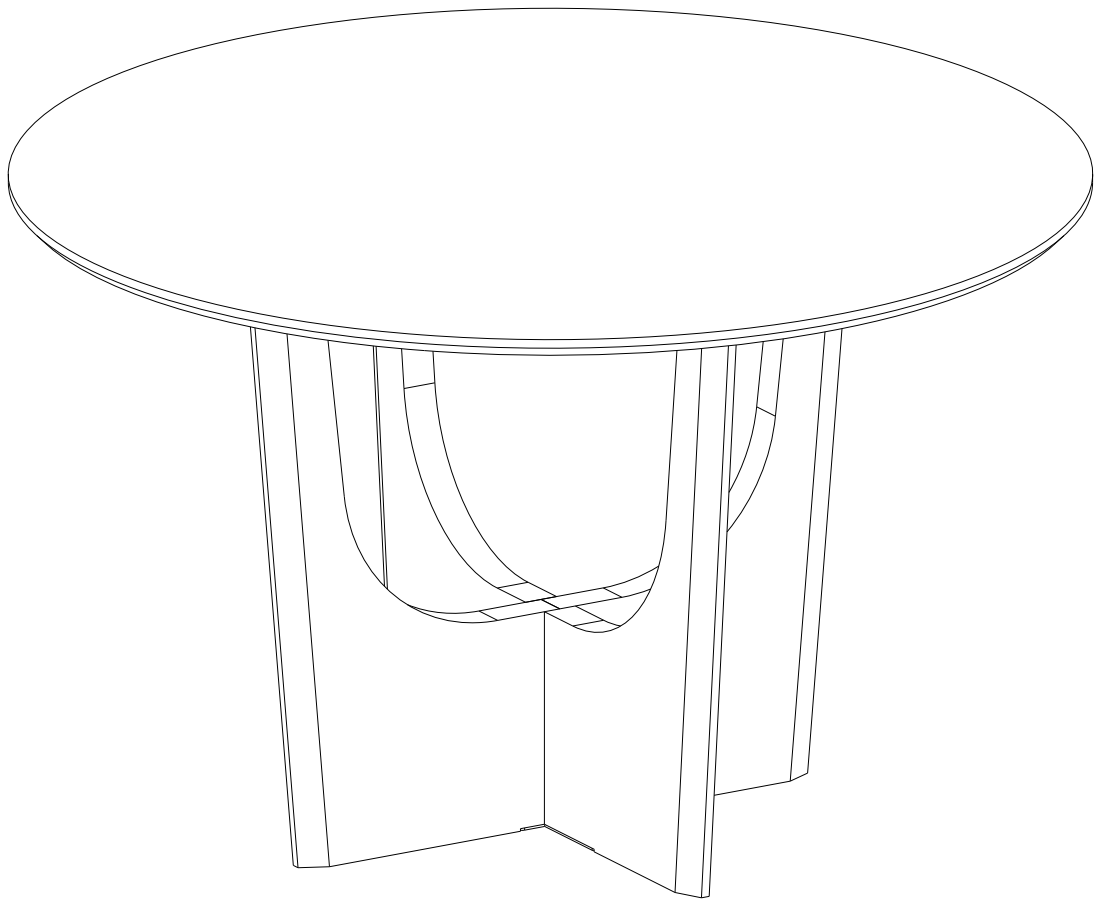


ARTICLE.

VERSION 1.0

Assembly Instructions



TOVI

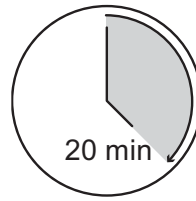
Round Dining Table

ASSEMBLY INSTRUCTIONS

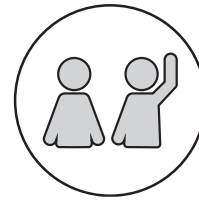
Read these instructions carefully and keep for future reference. Refer to parts inventory for guidance, and ensure you have all pieces before starting.

When assembling, place all parts on a soft, clean, and flat surface such as a carpet to prevent scratches.

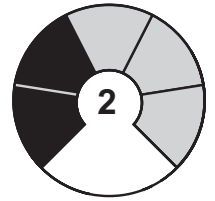
If you're having difficulty, our friendly Customer Care team is always here to help. Call us at **1.888.746.3455** during business hours, email service@article.com or chat live at article.com



TIME



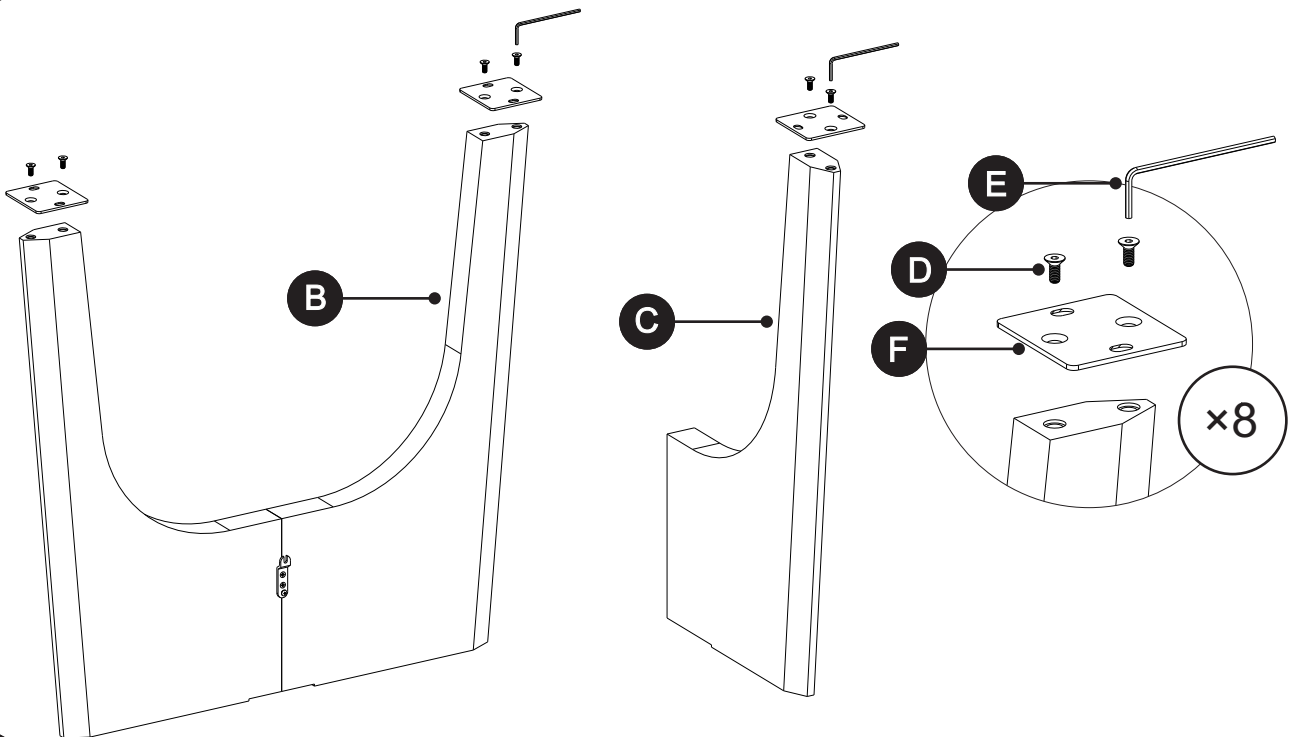
OF PEOPLE



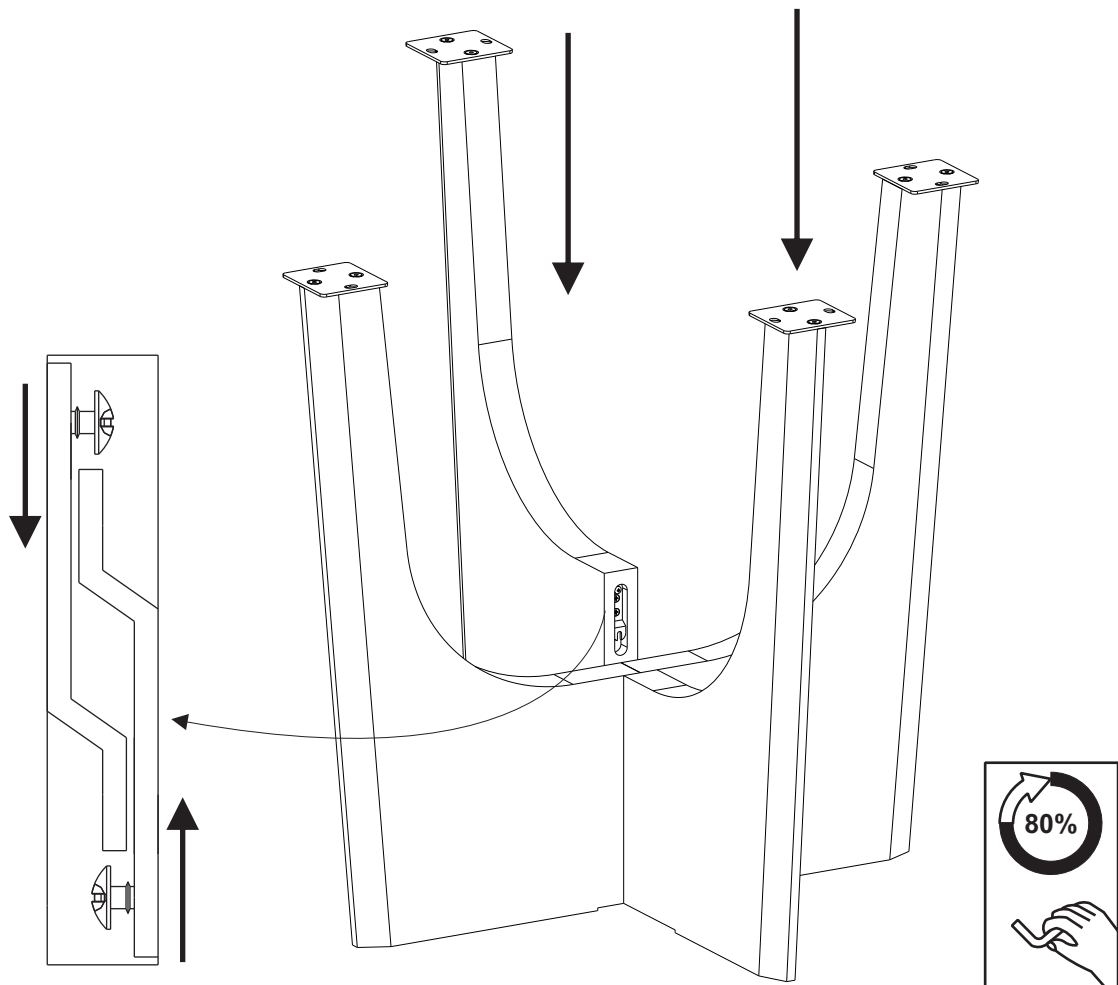
DIFFICULTY

PARTS INVENTORY			
ID	DESCRIPTION		QTY
A	TABLE TOP		1
B	CENTRAL LEG		1
C	SIDE LEG		2
D	M6 × 15MM BOLT		22
E	ALLEN KEY		2
F	85 × 80MM STEEL PAT		4
G	100×250MM STEEL PAT		1

1



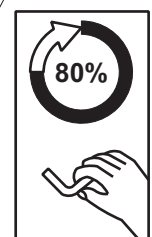
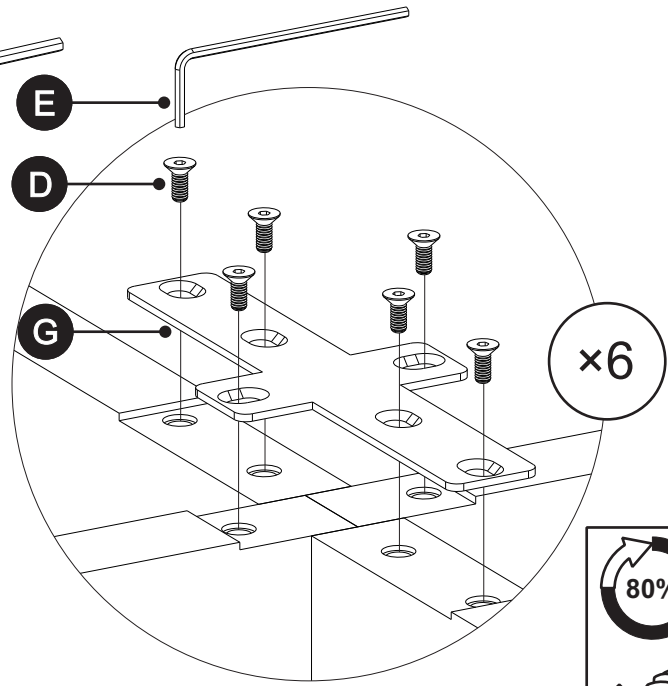
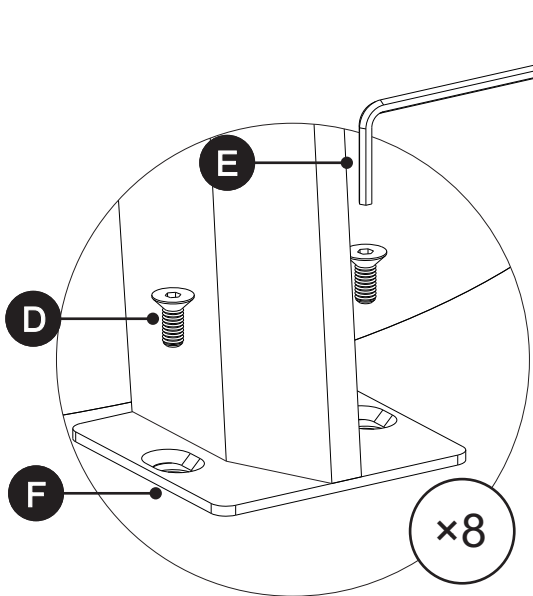
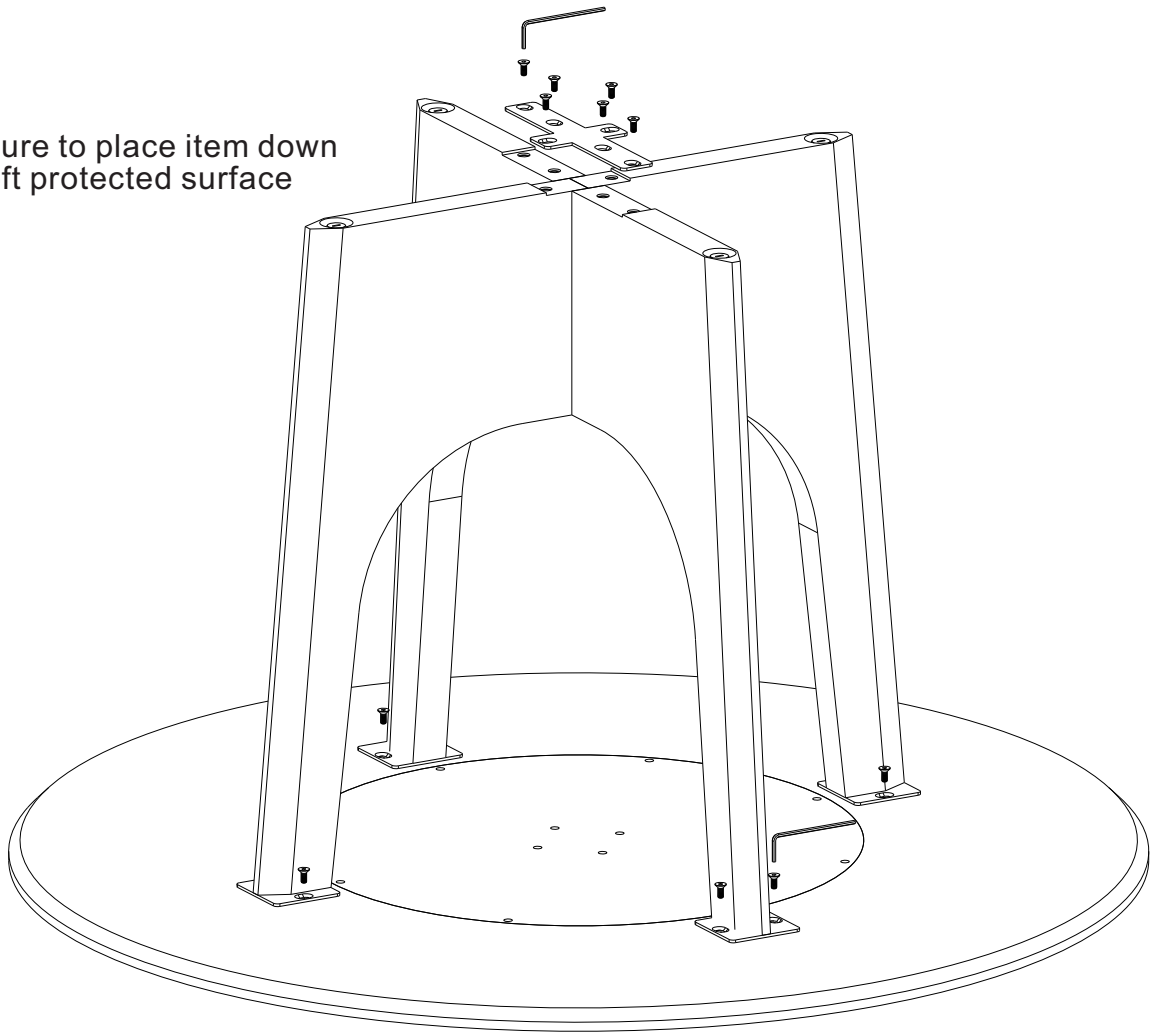
2



⚠ Do not fully tighten bolts until all bolts are placed properly

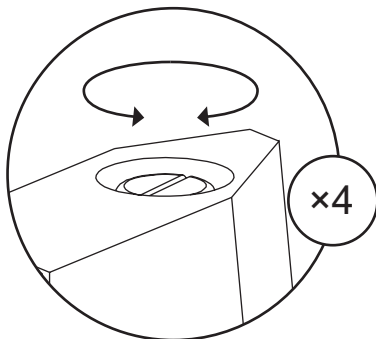
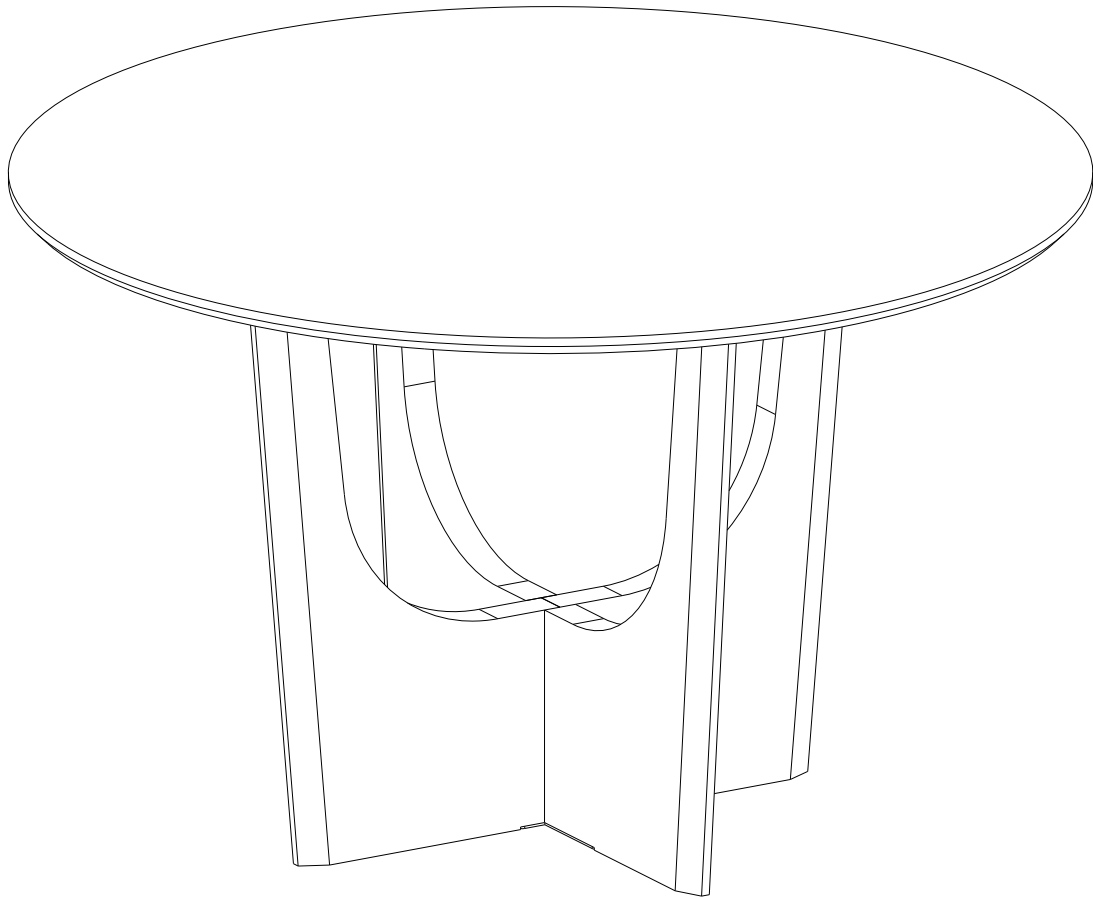
3

! Make sure to place item down on a soft protected surface



! Do not fully tighten bolts until all bolts are placed properly

4



! Adjust levelers on legs as needed.



! Tighten all bolts 100%

IMPORTANT !

It is important that all bolts are re-tightened 2 weeks after assembly and once every 2 months in order to assure stability through-out the lifespan of this product.