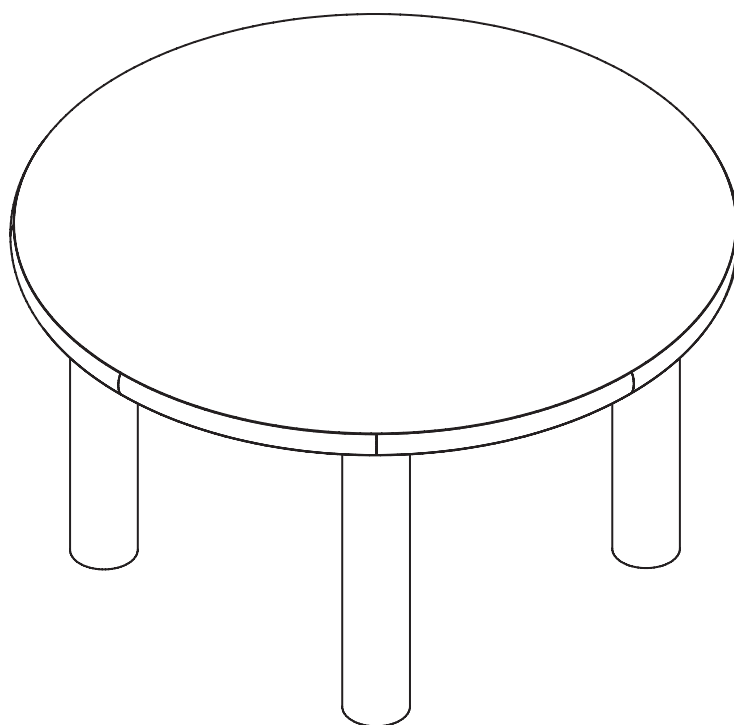


ARTICLE.

VERSION 1.0

Assembly Instructions



MUHLY

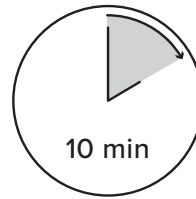
Round Dining Table

ASSEMBLY INSTRUCTIONS

Read these instructions carefully and keep for future reference. Refer to parts inventory for guidance, and ensure you have all pieces before starting.

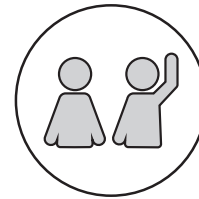
When assembling, place all parts on a soft, clean, and flat surface such as a carpet to prevent scratches.

If you're having difficulty, our friendly Customer Care team is always here to help. Call us at **1.888.746.3455** during business hours, email service@article.com or chat live at [article.com](https://www.article.com).

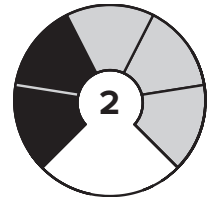


10 min

TIME


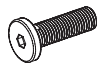
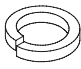
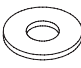



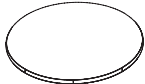


OF PEOPLE

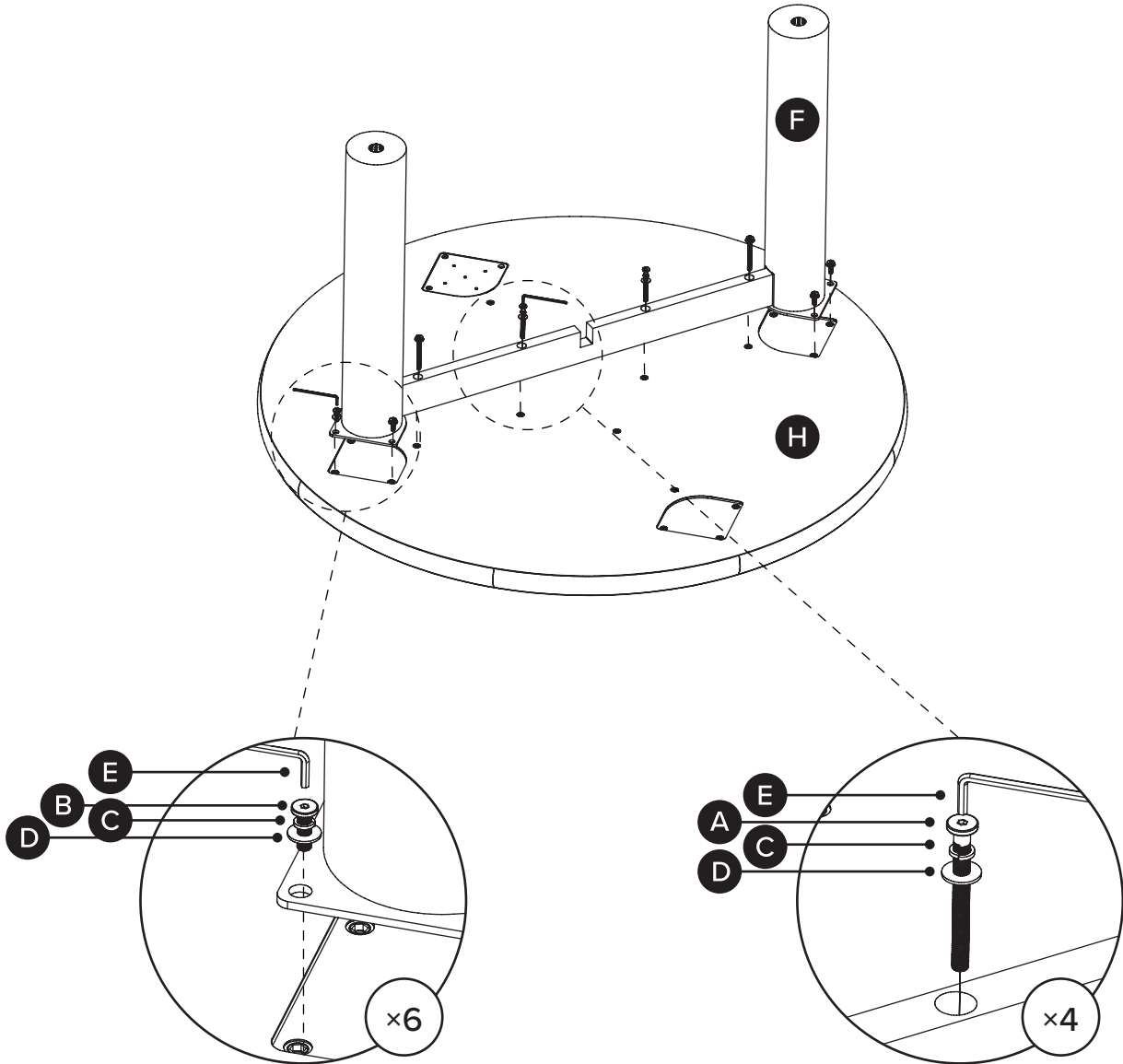


2

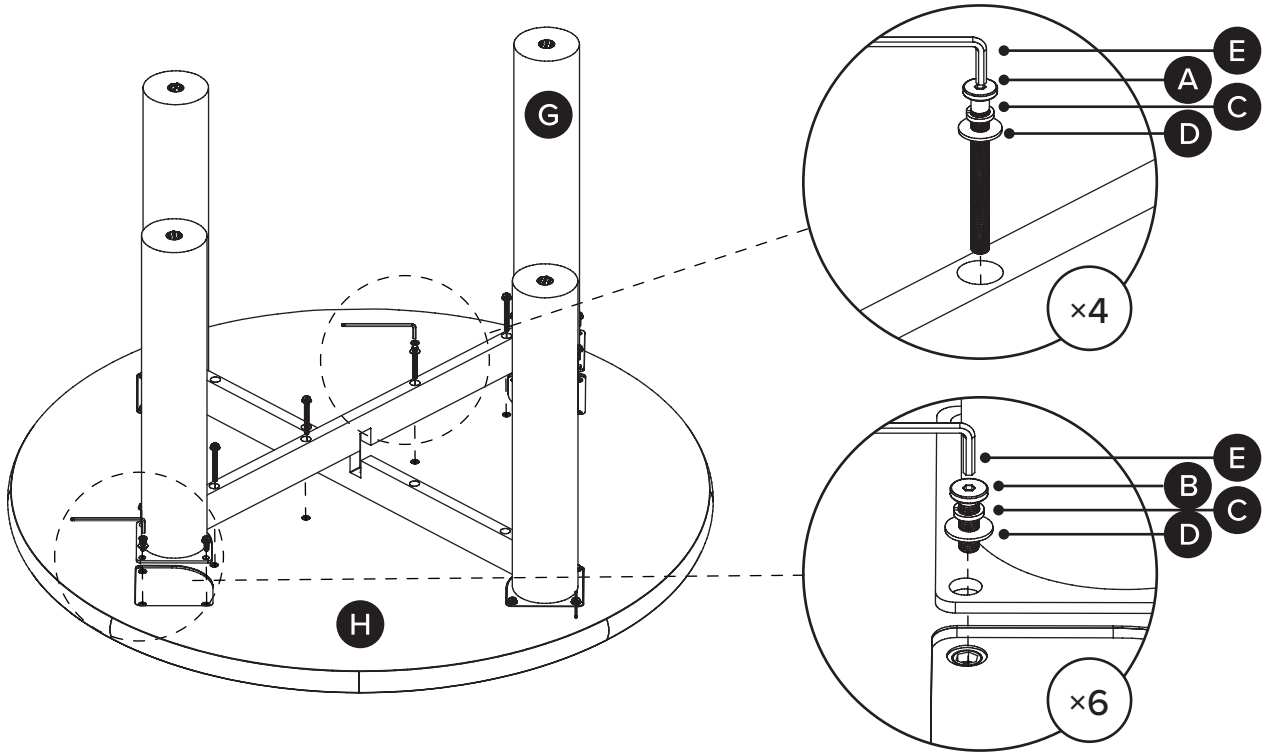
DIFFICULTY

PARTS INVENTORY		
ID	DESCRIPTION	QTY
A	M8 x 80MM BOLT 	8
B	M8 x 25MM BOLT 	12
C	LOCK WASHER 	20
D	WASHER 	20
E	ALLEN KEY 	1
F	LEG 1 	1
G	LEG 2 	1
H	TABLE TOP 	1

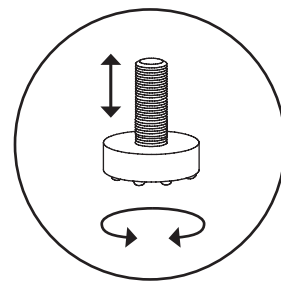
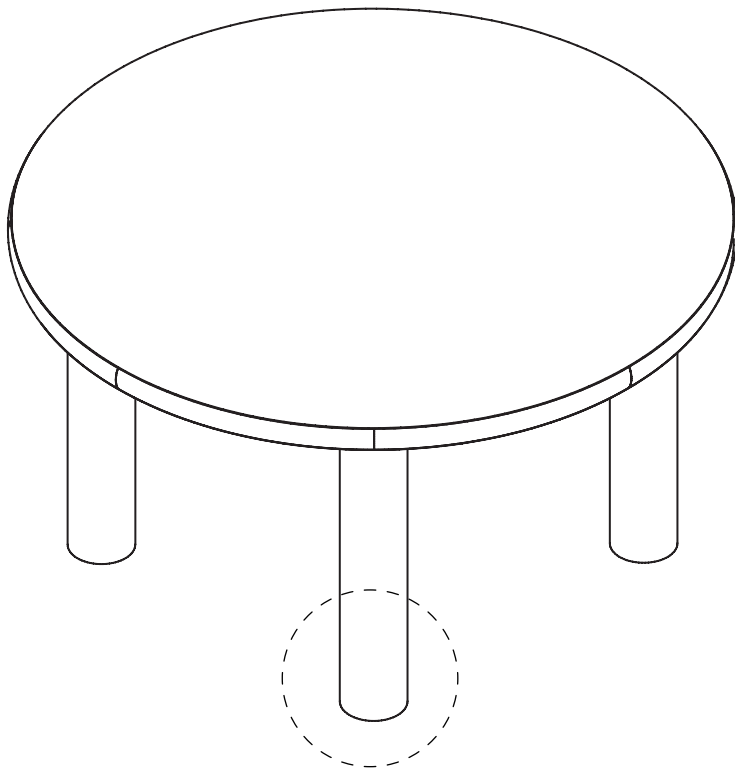
2



4



5



! Adjust leveler legs as needed.