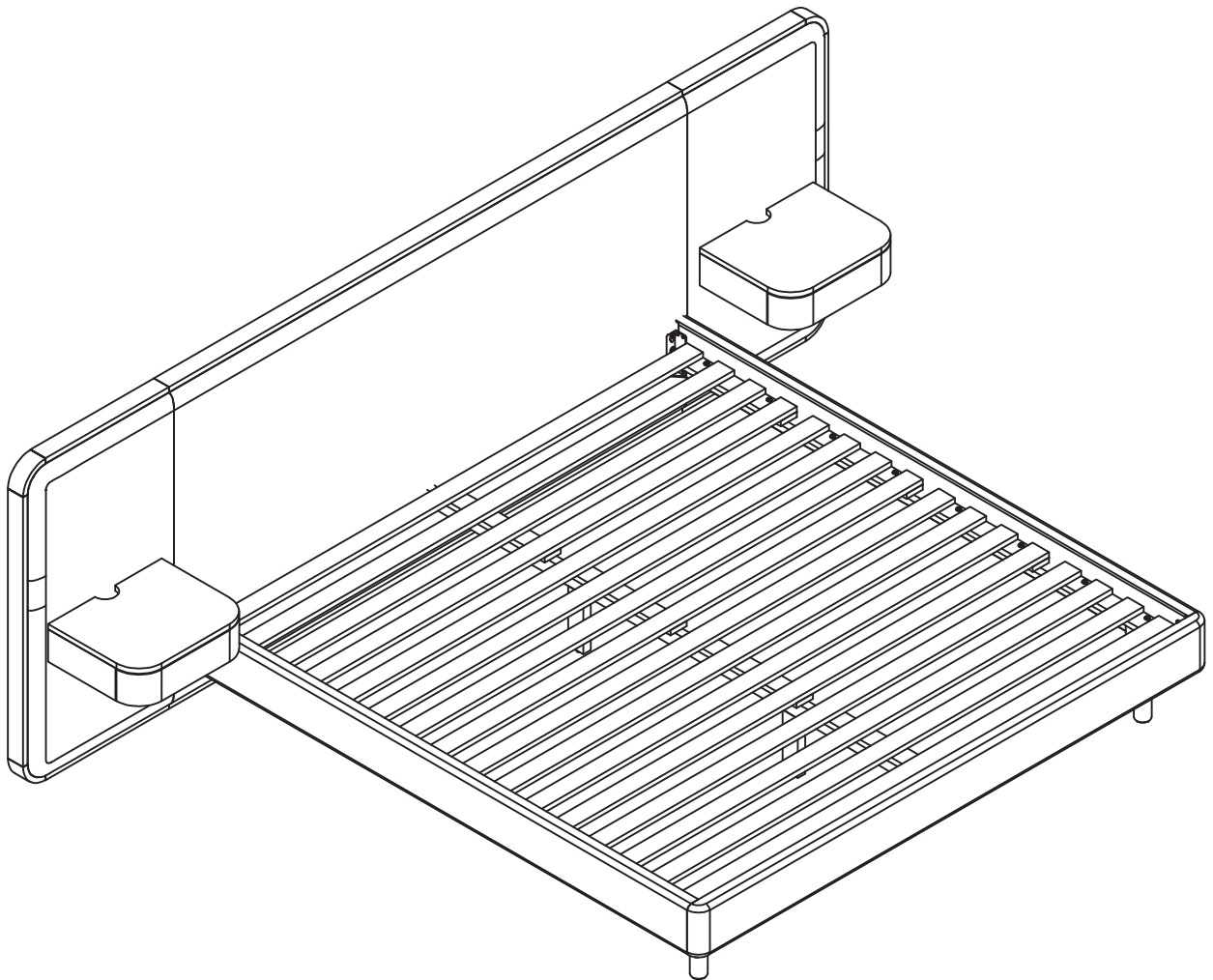


ARTICLE.

VERSION 1.0

Assembly Instructions



BJORN WITH NIGHTSTANDS

BED

ASSEMBLY INSTRUCTIONS

Read these instructions carefully and keep for future reference. Refer to parts inventory for guidance, and ensure you have all pieces before starting.

When assembling, place all parts on a soft, clean, and flat surface such as a carpet to prevent scratches.

If you're having difficulty, our friendly Customer Care team is always here to help. Call us at 1.888.746.3455 during business hours, email service@article.com or chat live at article.com.



TIME



OF PEOPLE



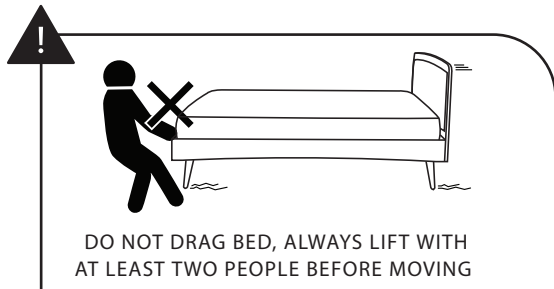
DIFFICULTY

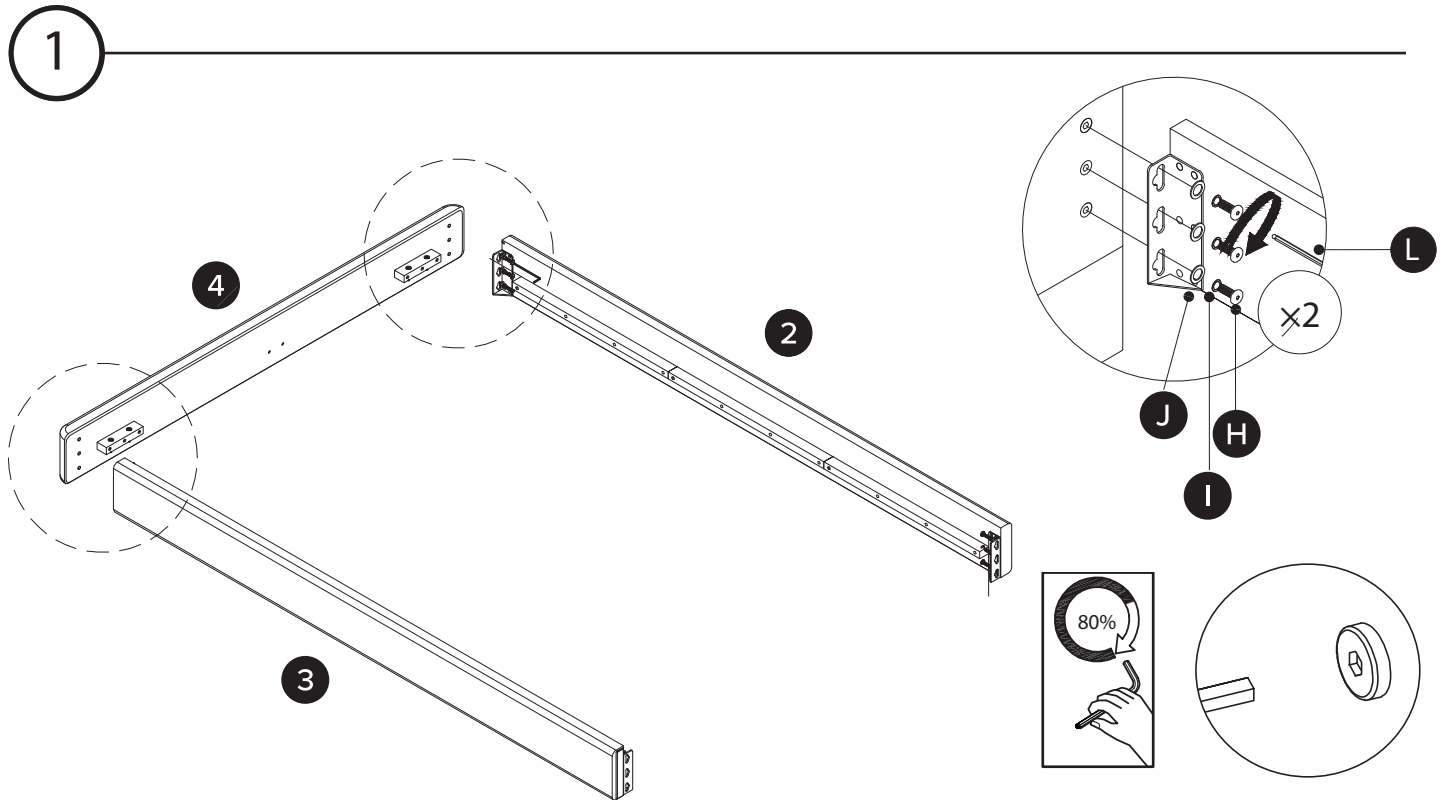
PARTS INVENTORY			
ID	DESCRIPTION		QTY
1	HEADBOARD		1
2	SIDE RAIL (LEFT)		1
3	SIDE RAIL (RIGHT)		1
4	FOOTBOARD		1
5	CENTER BEAM METAL BRACKETS		2
6	CENTER BEAM		1
7	CENTER LEGS		2
8	WOOD CORNER		2
9	LEGS		2
10	SLATS		4
11	SIDE HEADBOARD (LEFT)		1
12	SIDE HEADBOARD (RIGHT)		1
13	SIDE HEADBOARD BACK SUPPORT RAIL		4
14	NIGHTSTAND		2

PARTS INVENTORY			
ID	DESCRIPTION		QTY
A	M6 × 90MM BOLT		8
B	M6 × 80MM BOLT		6
C	M6 × 60MM BOLT		4
D	M6 × 40MM BOLT		40
E	M6 × 20MM BOLT		6
F	M6.5 LOCK WASHER		60
G	M6.5 WASHER		60
H	M8 × 25MM BOLT		12
I	M8.5 LOCK WASHER		12
J	M8.5 WASHER		12
K	WOODEN DOWEL		4
L	ALLEN KEY		1

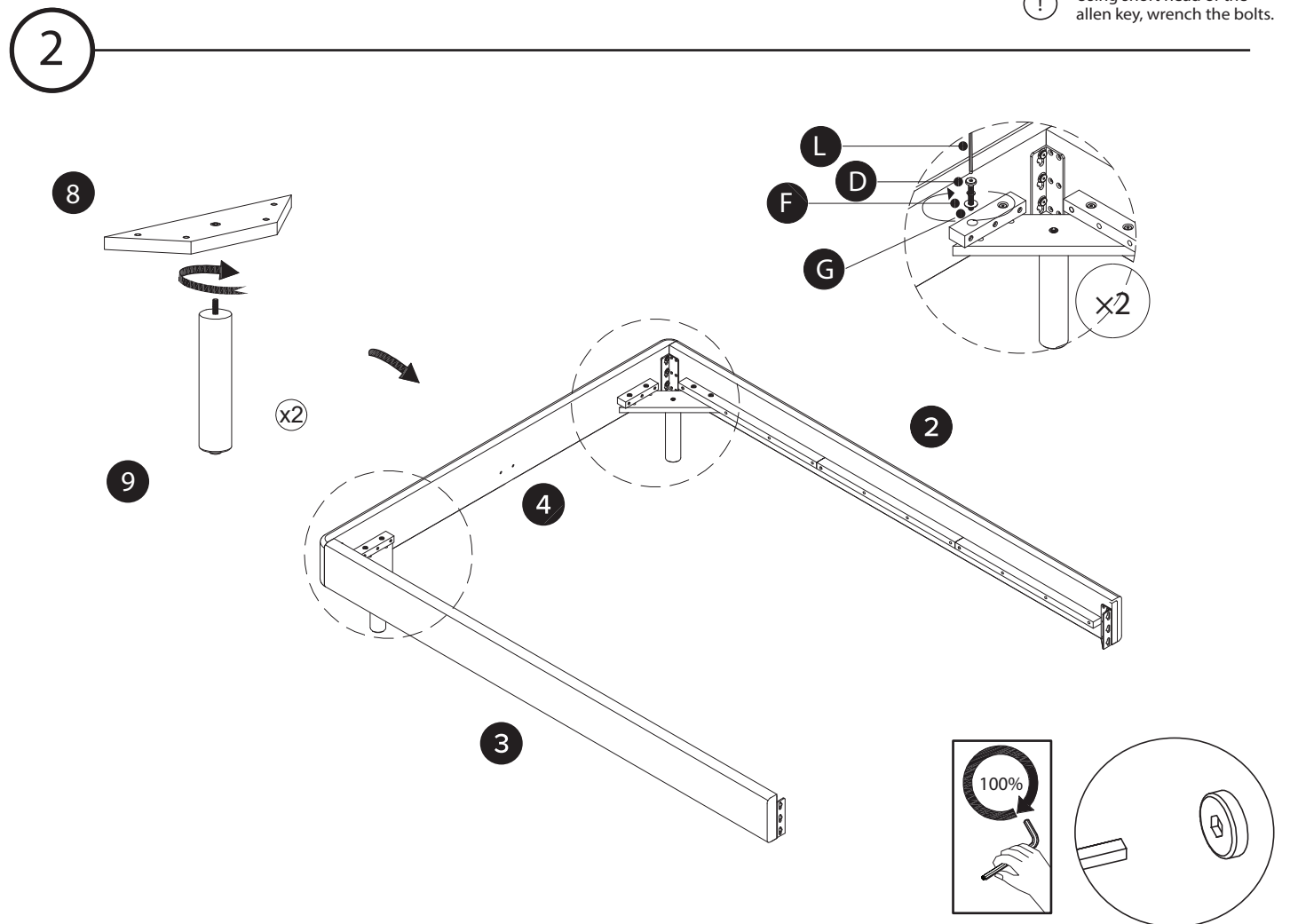


! Structural integrity is warranted only if all fasteners are properly installed & tightened, and the bed is moved only per instructions.



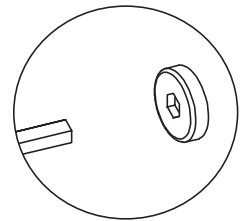
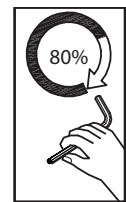
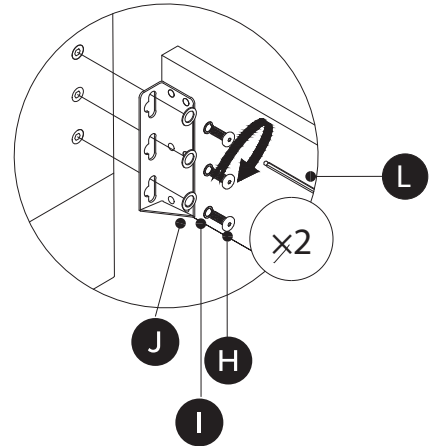
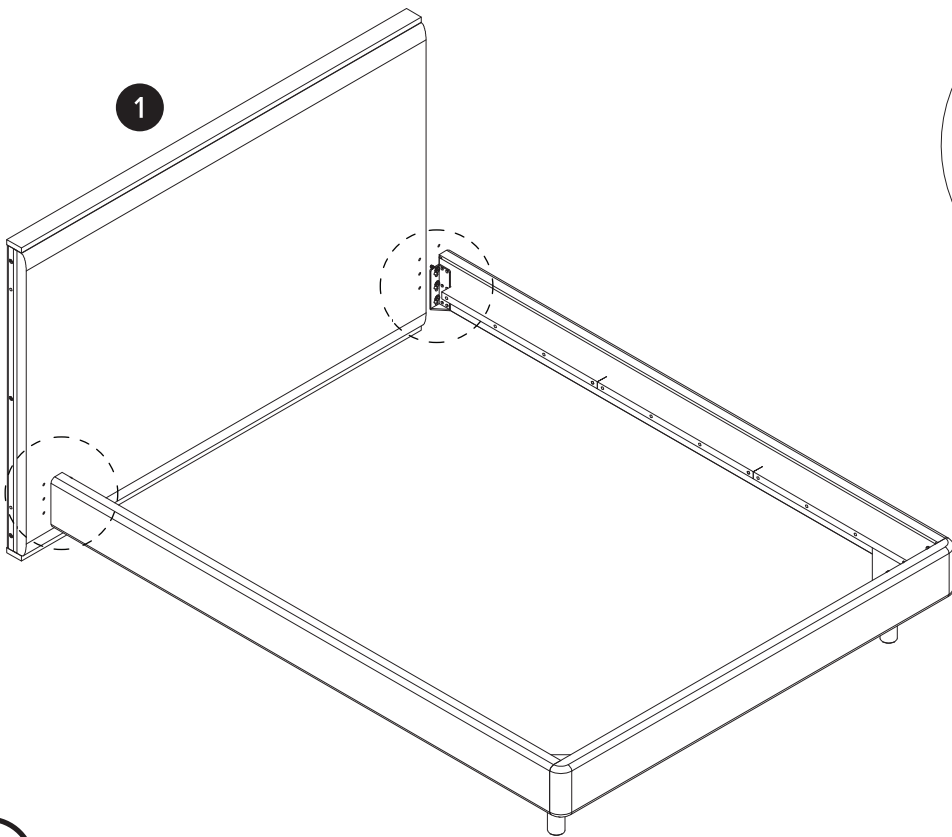


! Using short head of the allen key, wrench the bolts.



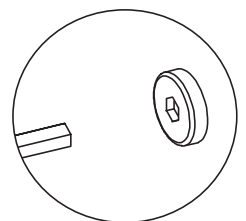
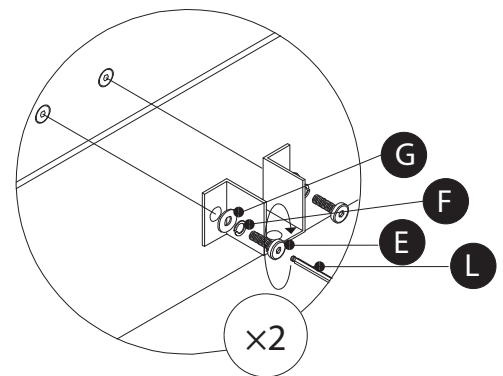
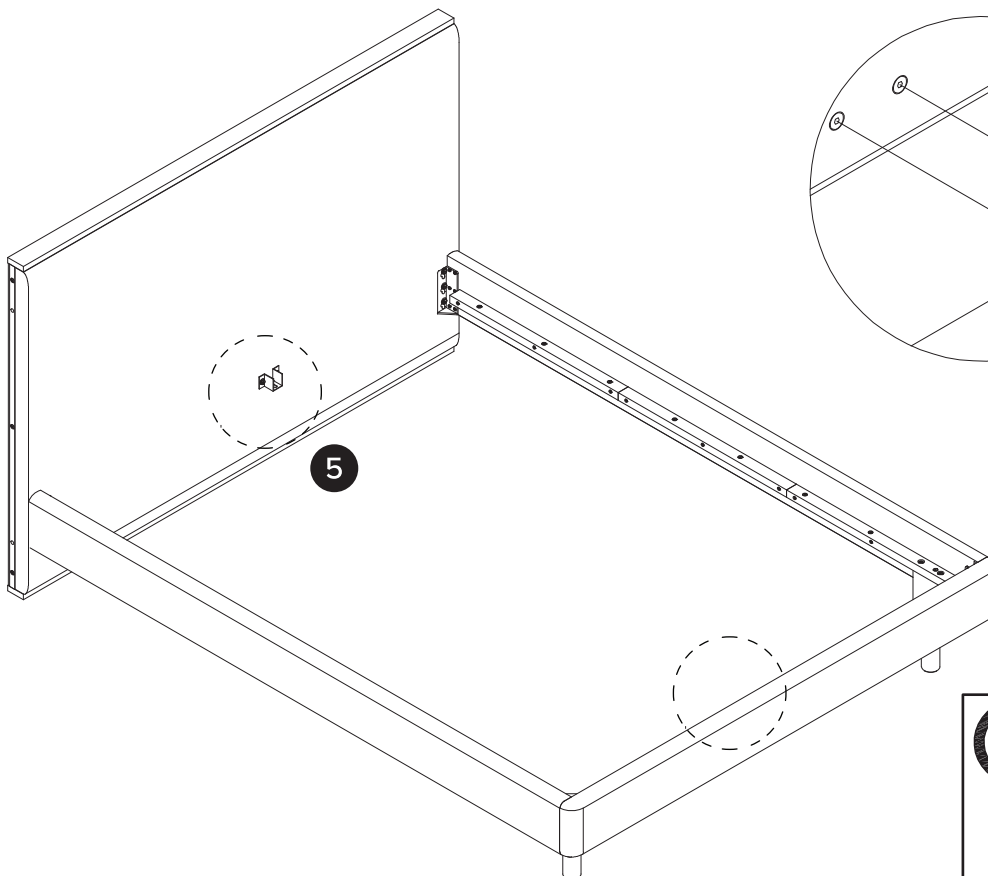
! Using short head of the allen key, fully tighten bolts.

3



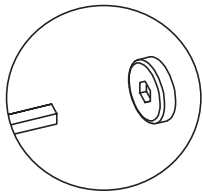
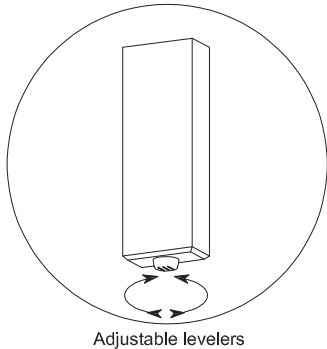
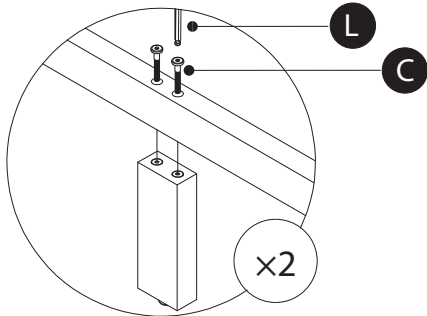
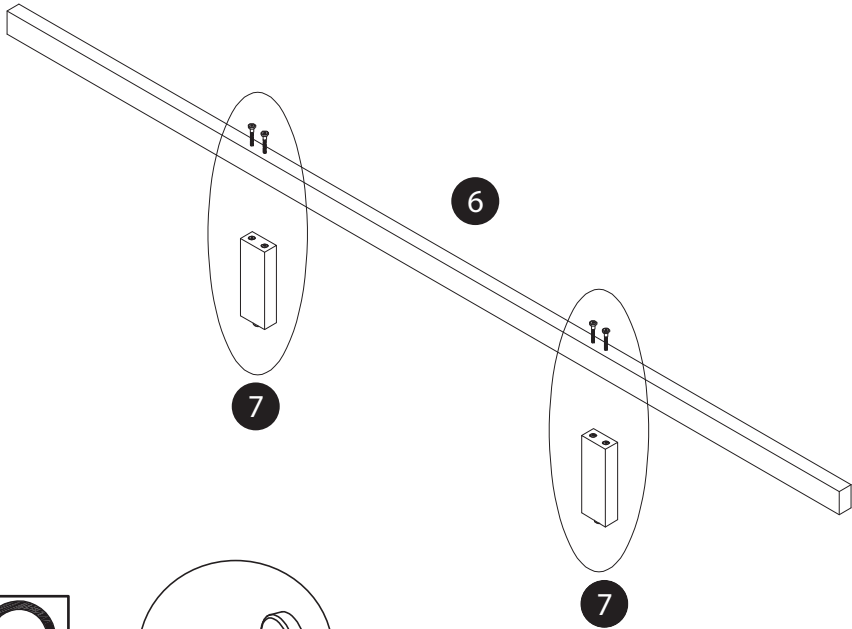
! Using short head of the allen key, wrench the bolts.

4



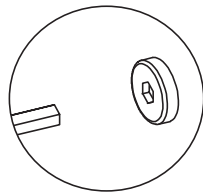
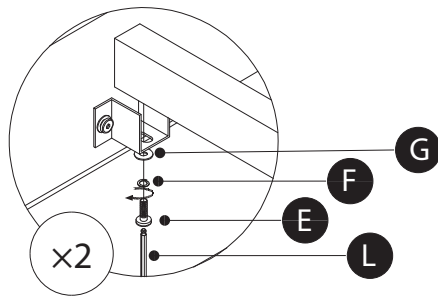
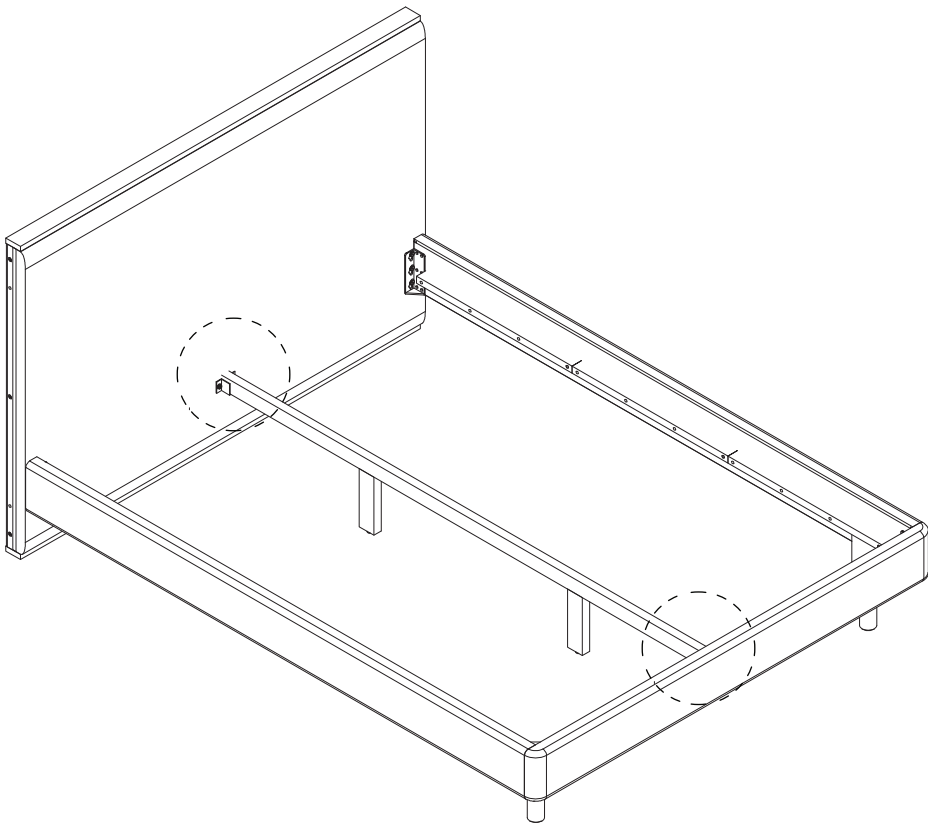
! Using short head of the allen key, fully tighten bolts.

5



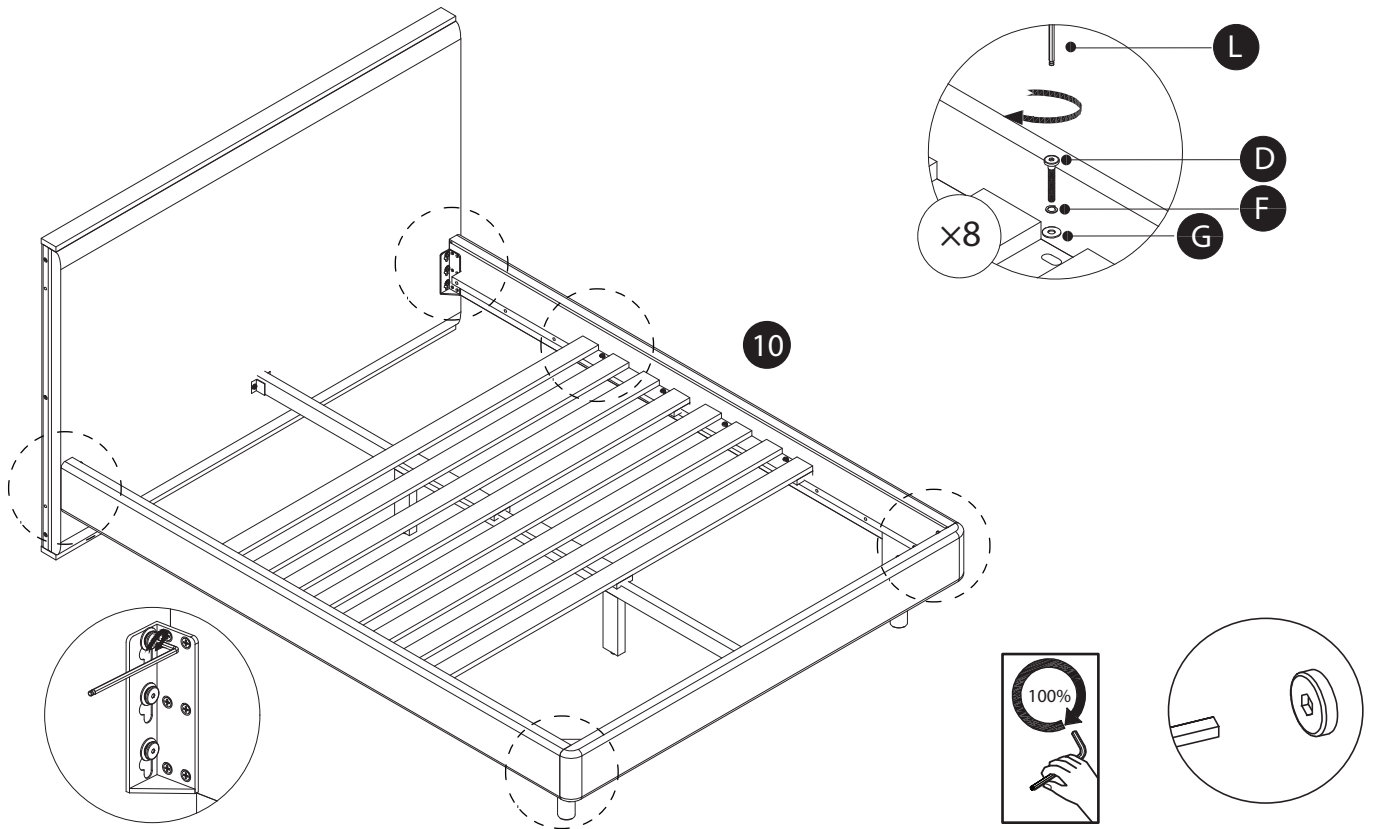
! Using short head of the allen key, fully tighten bolts.

6

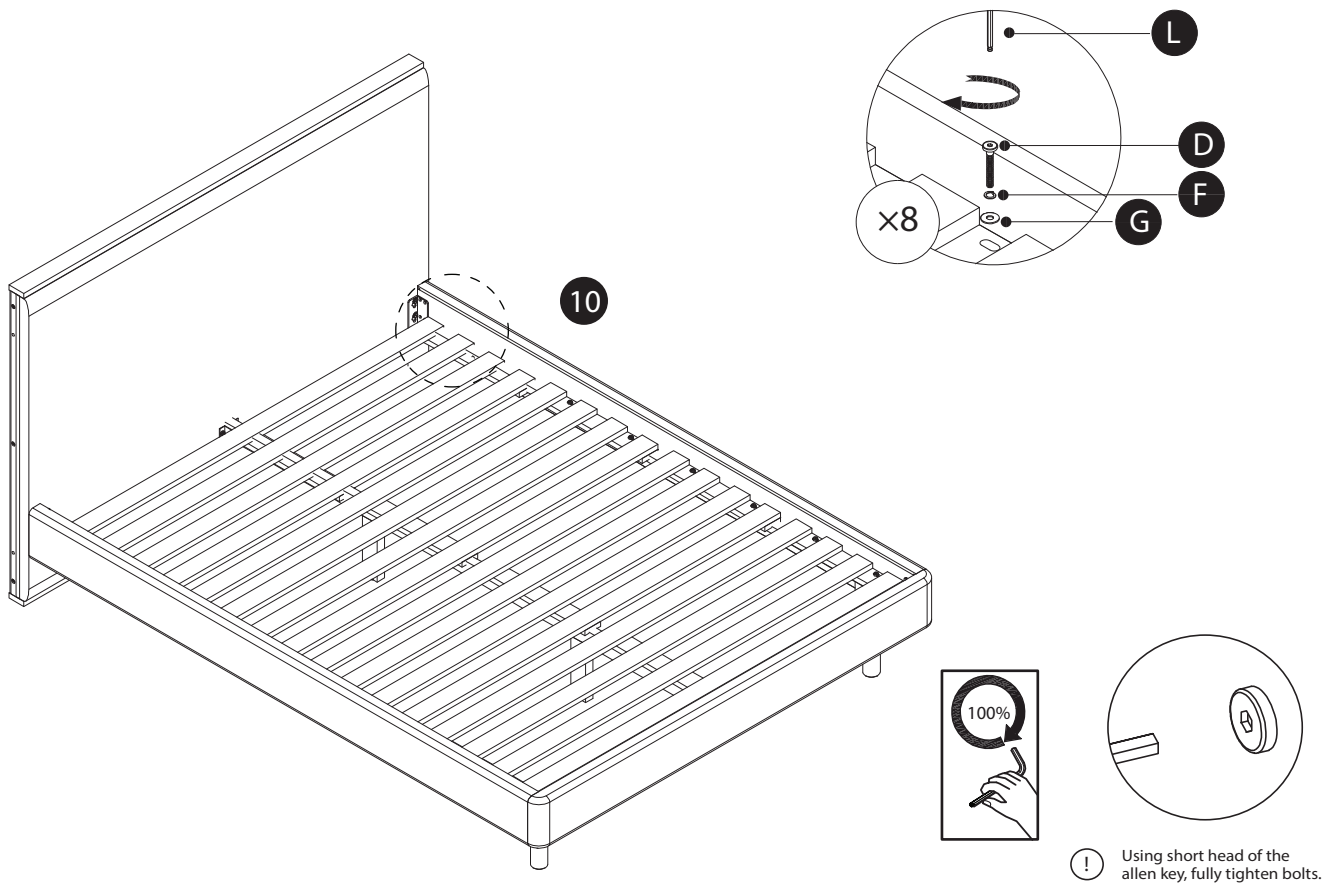


! Using short head of the allen key, fully tighten bolts.

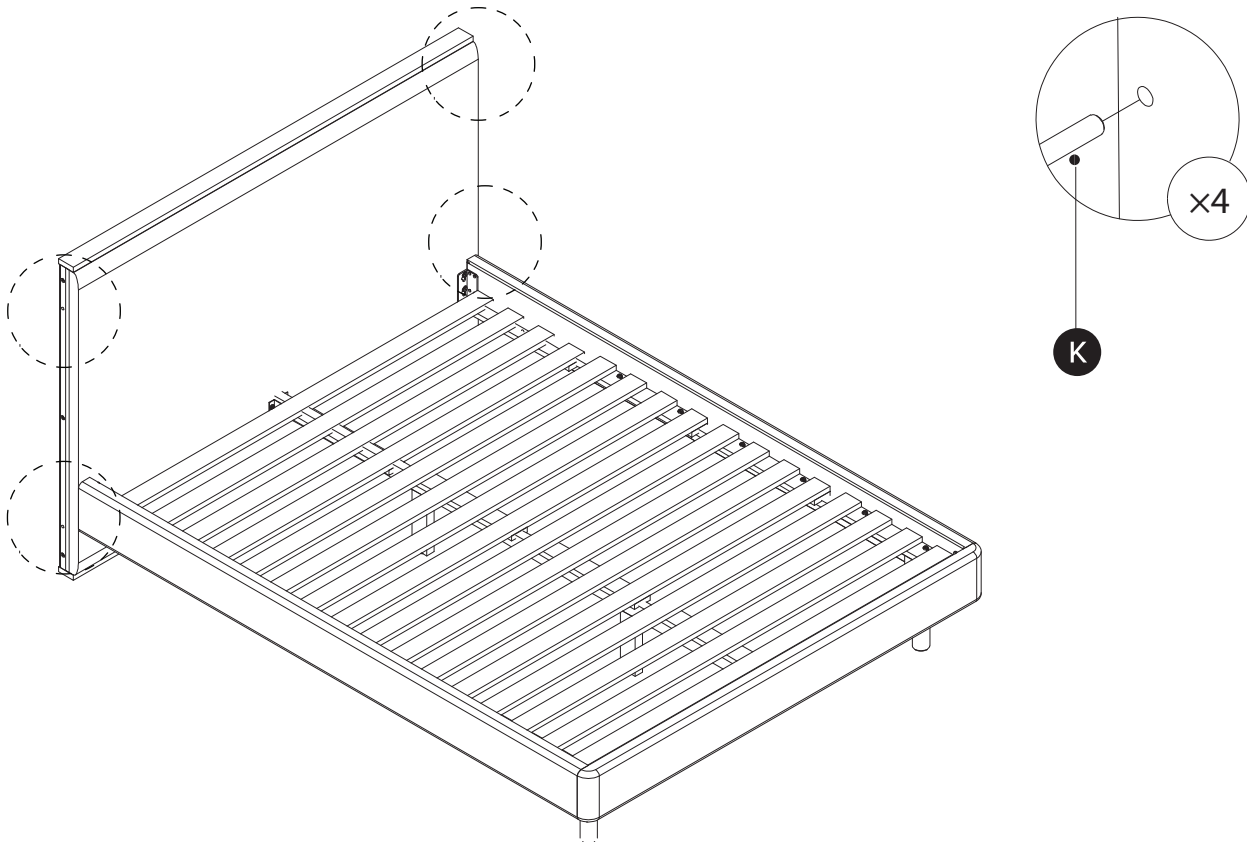
7



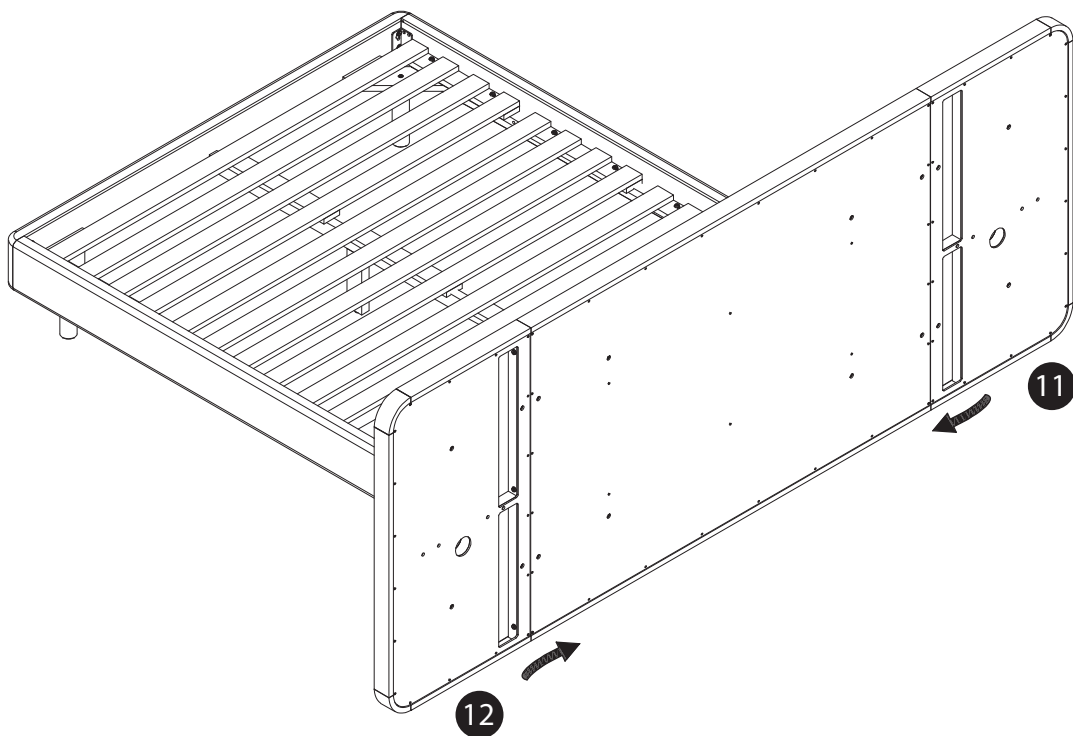
8



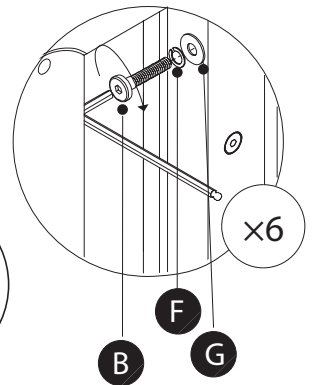
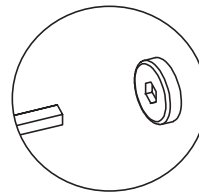
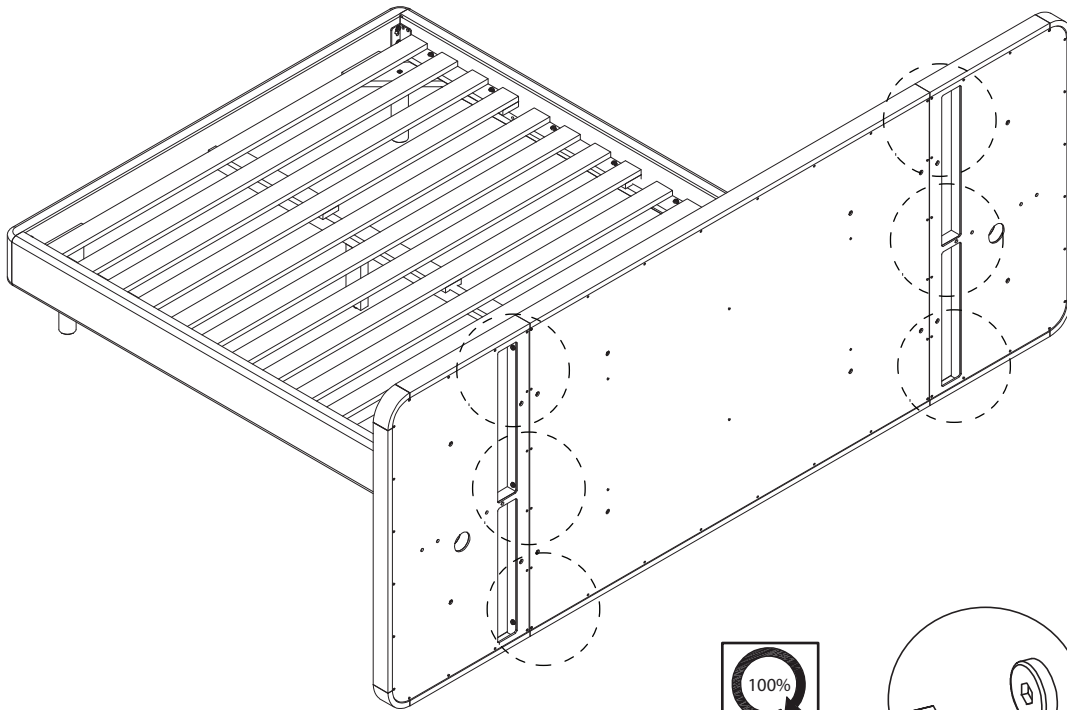
9



10

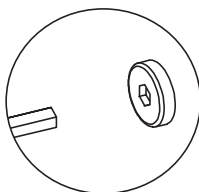
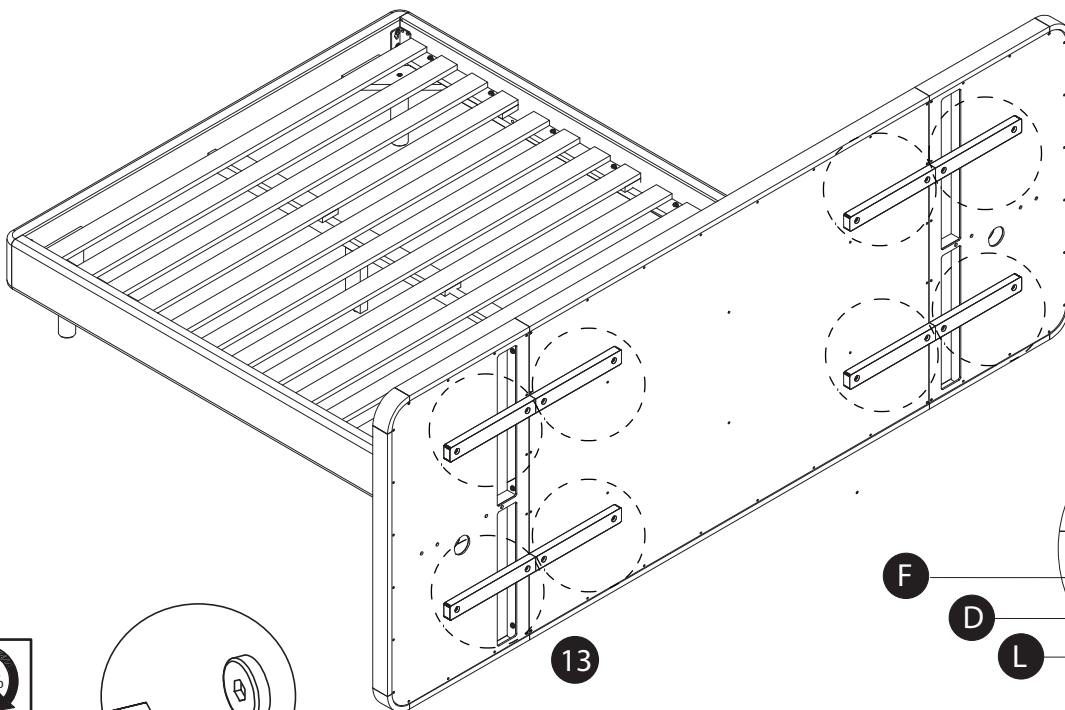


11

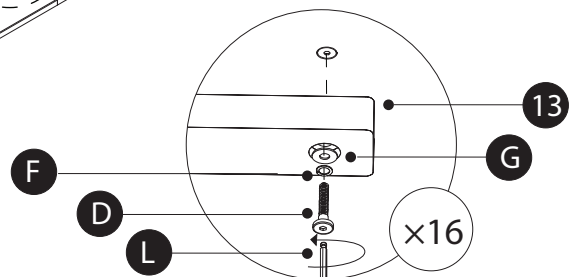


! Using short head of the allen key, fully tighten bolts.

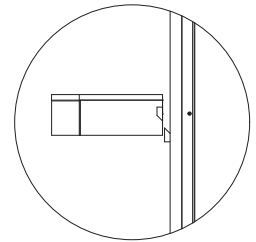
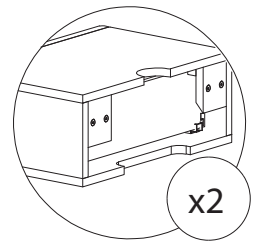
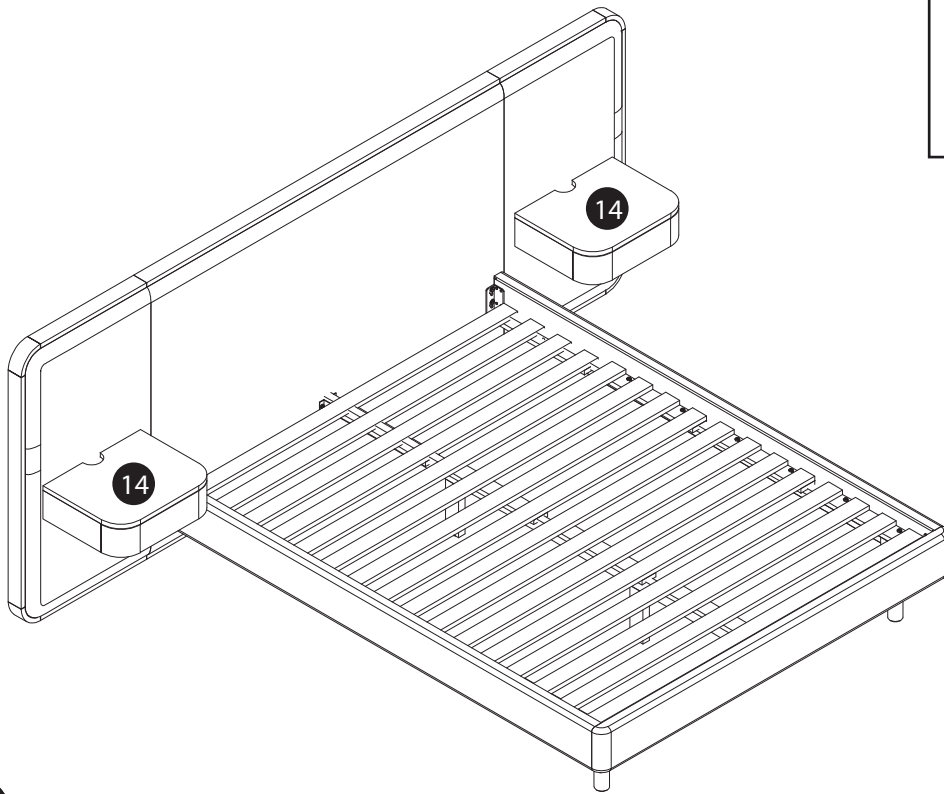
12



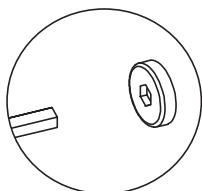
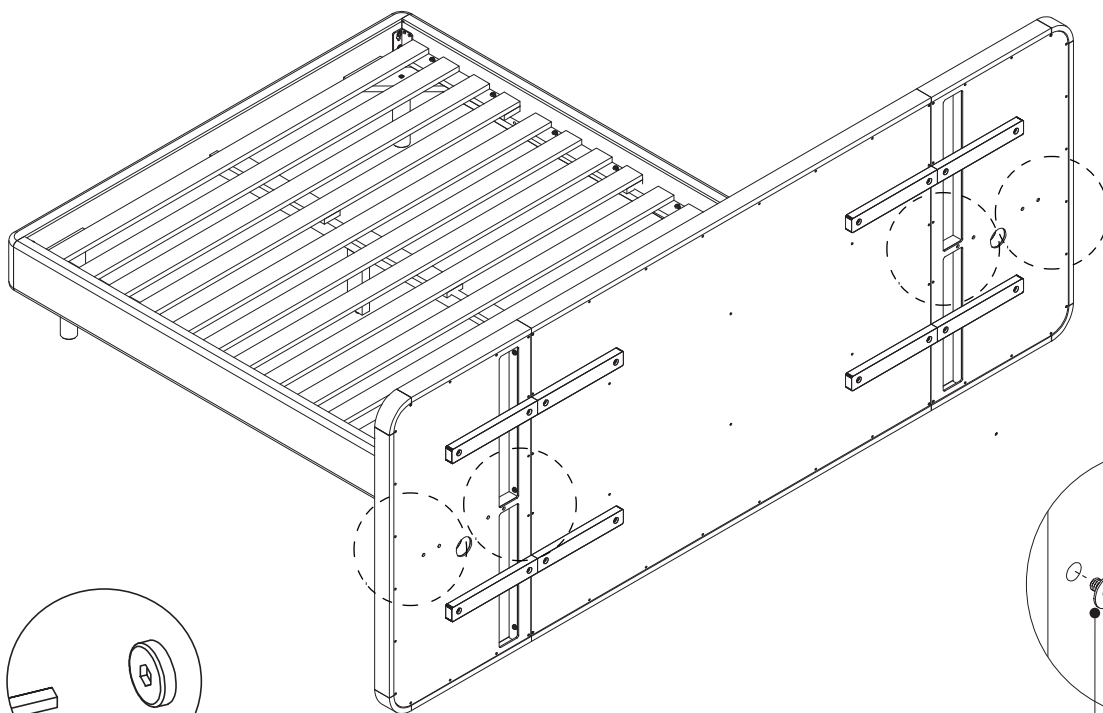
! Using short head of the allen key, fully tighten bolts.



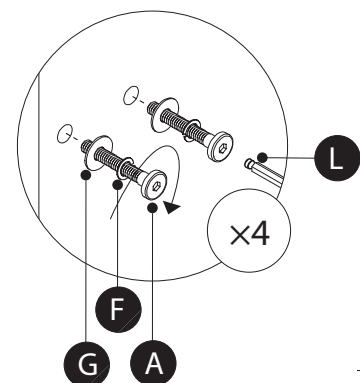
13



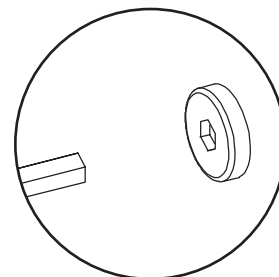
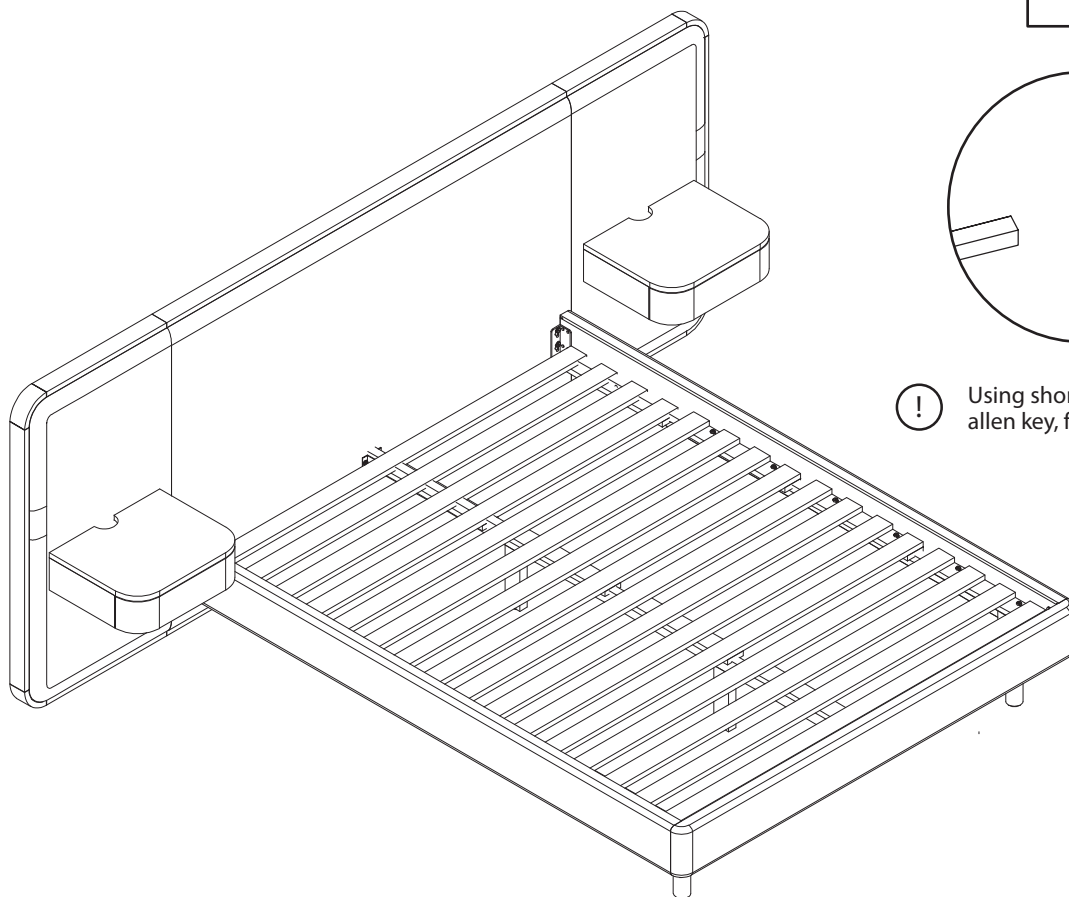
14



! Using short head of the allen key, fully tighten bolts.



15



! Using short head of the allen key, fully tighten bolts.

