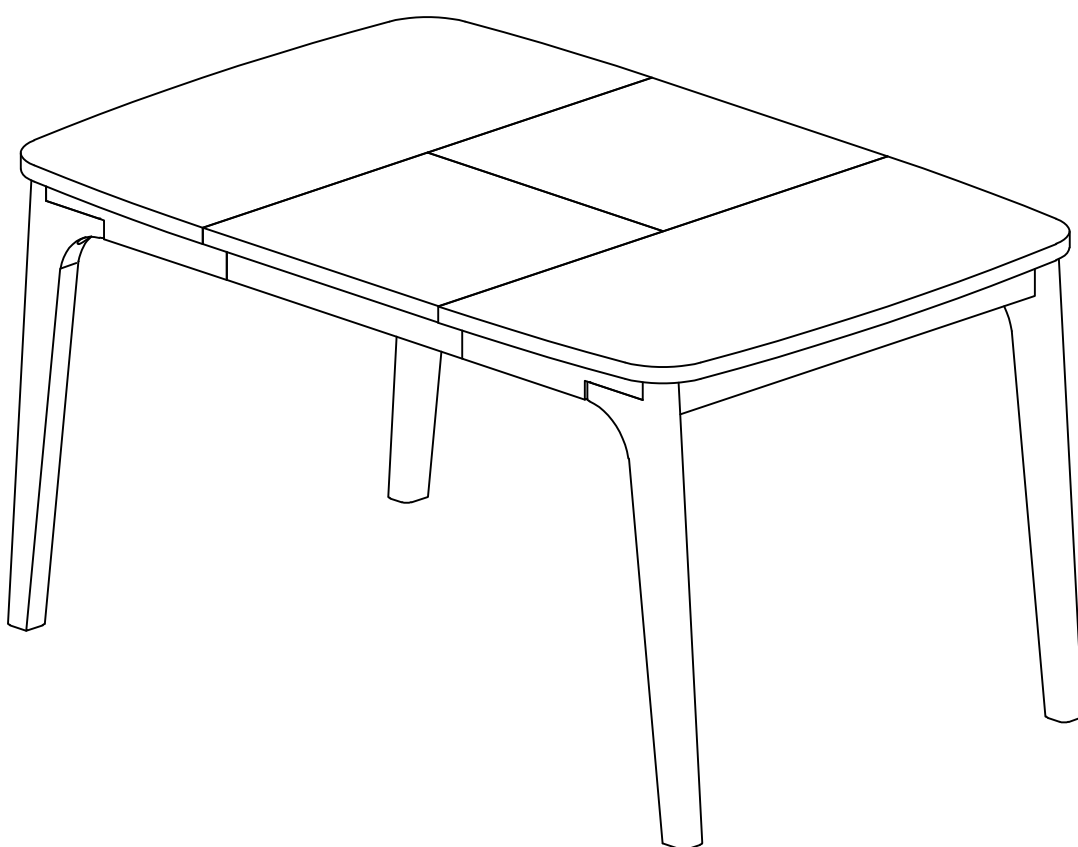


# ARTICLE.

VERSION 1.0

## Assembly Instructions



# PLUMAS

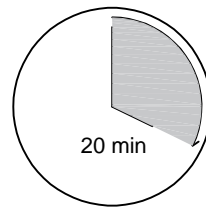
**Dining Table for 4, Extendable**

## ASSEMBLY INSTRUCTIONS

Read these instructions carefully and keep for future reference. Refer to parts inventory for guidance, and ensure you have all pieces before starting.

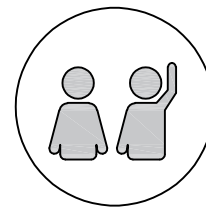
When assembling, place all parts on a soft, clean, and flat surface such as a carpet to prevent scratches.

If you're having difficulty, our friendly Customer Care team is always here to help. Call us at **1.888.746.3455** during business hours, email [service@article.com](mailto:service@article.com) or chat live at [article.com](http://article.com).

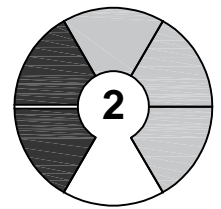


20 min

TIME


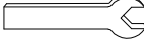





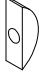
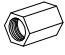


# OF PEOPLE

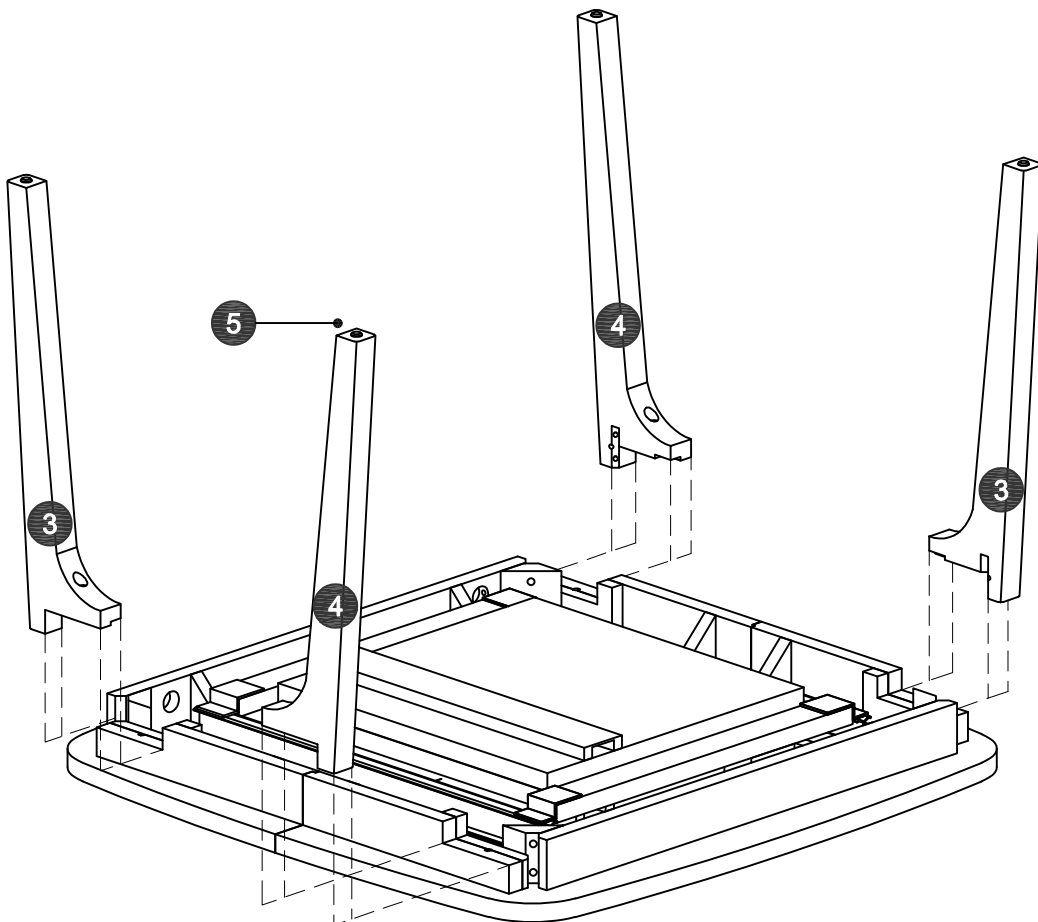
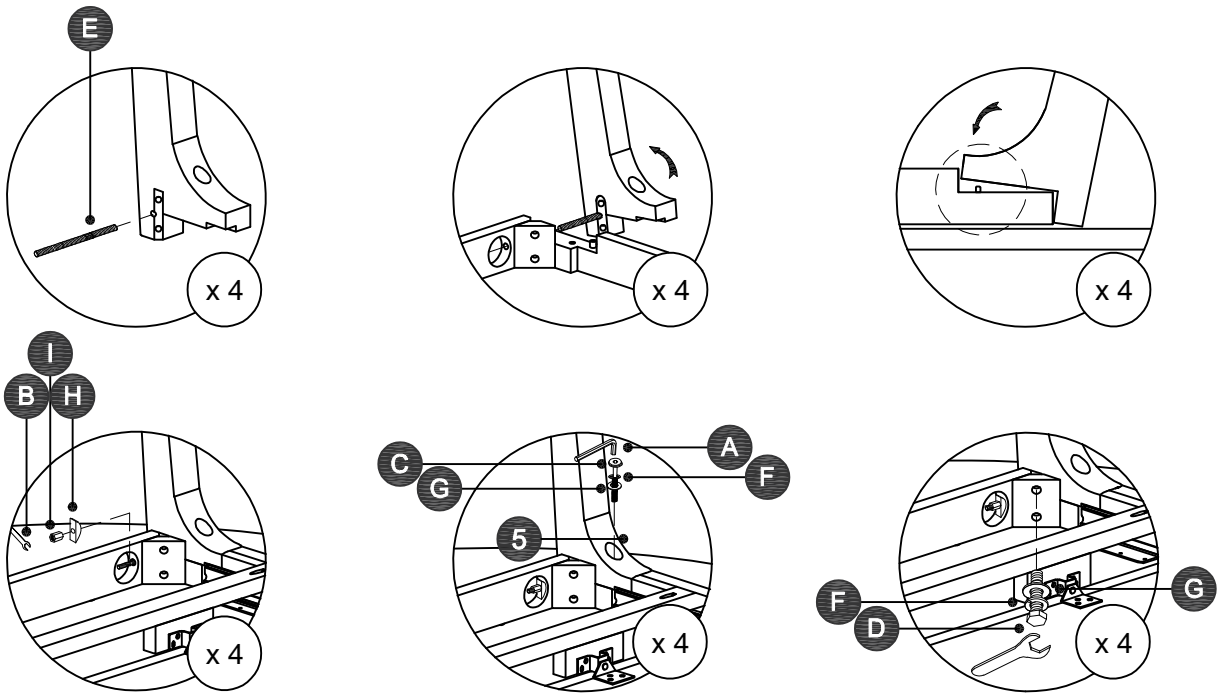


DIFFICULTY

PARTS INVENTORY		
ID	DESCRIPTION	QTY
1	TABLE TOP	1
2	LEAF	1
3	LEFT LEG	2
4	RIGHT LEG	2
5	LEVELER	4

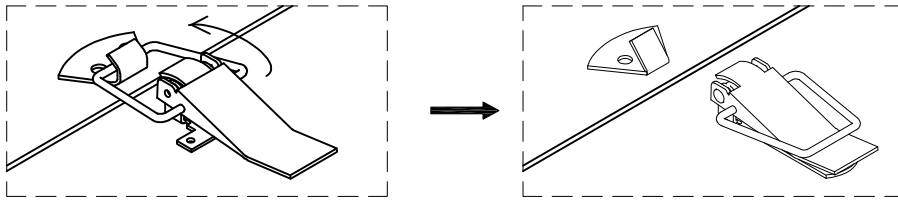
PARTS INVENTORY CONT.			
ID	DESCRIPTION		QTY
A	ALLEN KEY		1
B	WRENCH		1
C	M8 x 50MM BOLT		4
D	M8 x 70MM BOLT		8
E	M8 x 115MM BOLT		4
F	LOCK WASHER		12
G	FLAT WASHER		12
H	HALF MOON WASHER		4
I	NUT M8		4

1

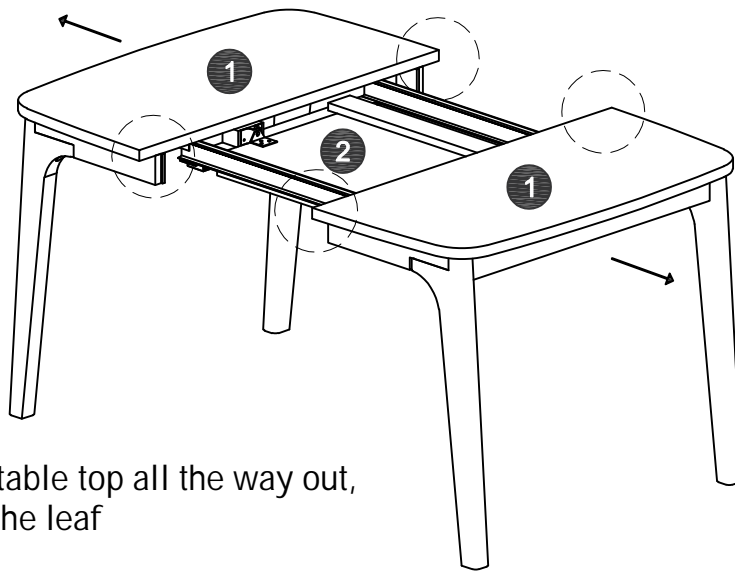


Noted: Adjust the leg aligned with apron before tighten all bolt

2

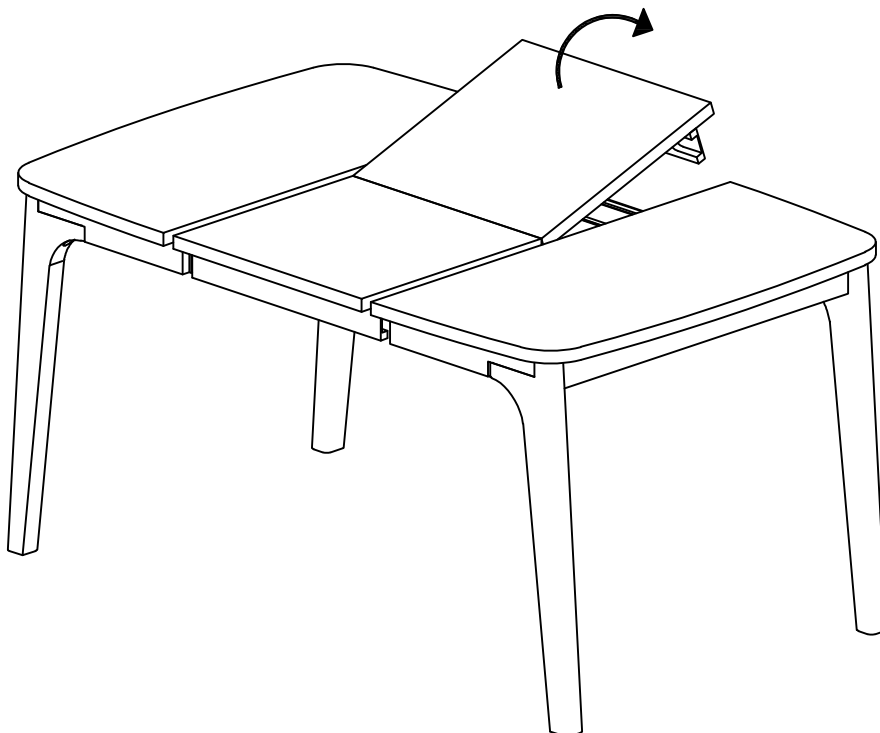


! Unlock



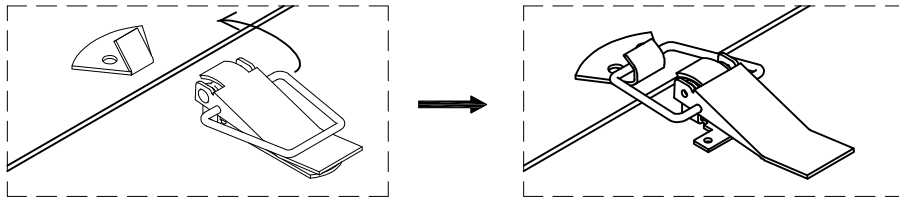
Tip: Extend the table top all the way out, before opening the leaf

3

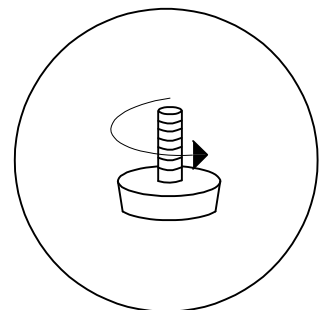
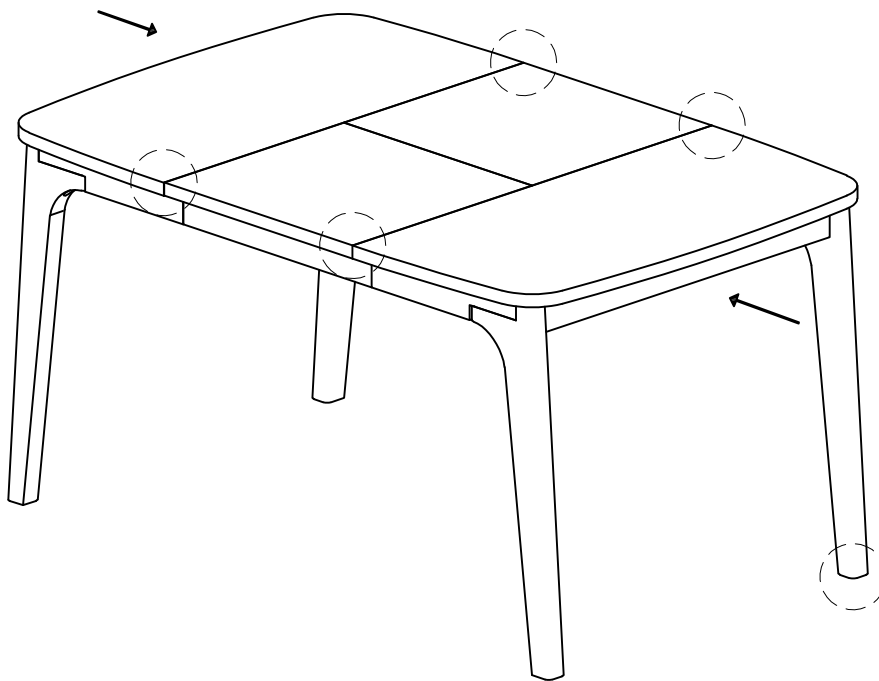


Tip: Make sure you open the folded aprons before assembly

4



! Locked



! Adjust levelers as needed.