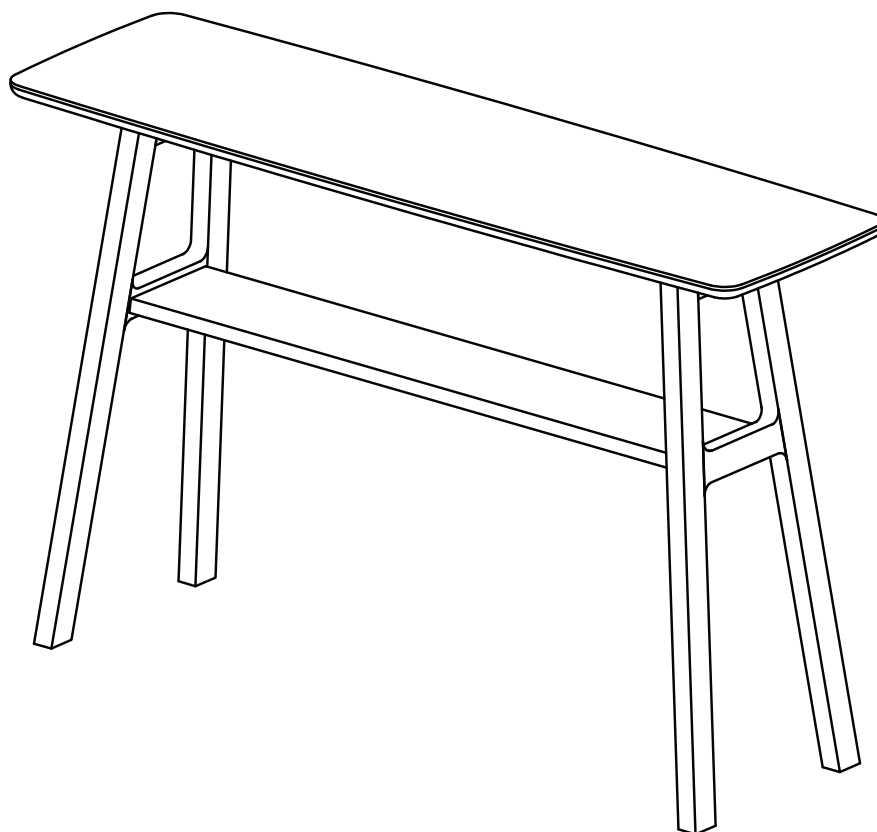


# ARTICLE.

VERSION 1.0

## Assembly Instructions



# KIRUN

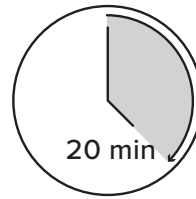
Console

## ASSEMBLY INSTRUCTIONS

Read these instructions carefully and keep for future reference. Refer to parts inventory for guidance, and ensure you have all pieces before starting.

When assembling, place all parts on a soft, clean, and flat surface such as a carpet to prevent scratches.

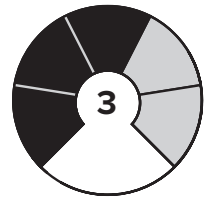
If you're having difficulty, our friendly Customer Care team is always here to help. Call us at **1.888.746.3455** during business hours, email [service@article.com](mailto:service@article.com) or chat live at [article.com](https://www.article.com).





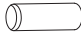



TIME



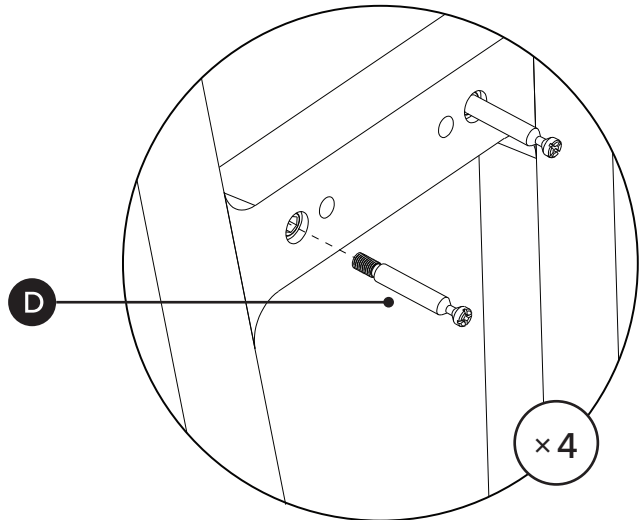
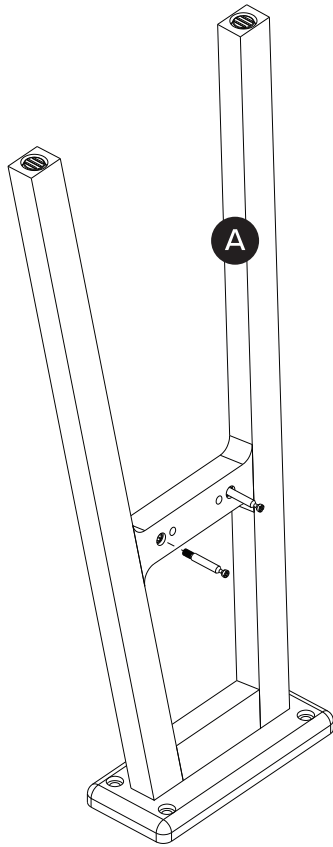
# OF PEOPLE



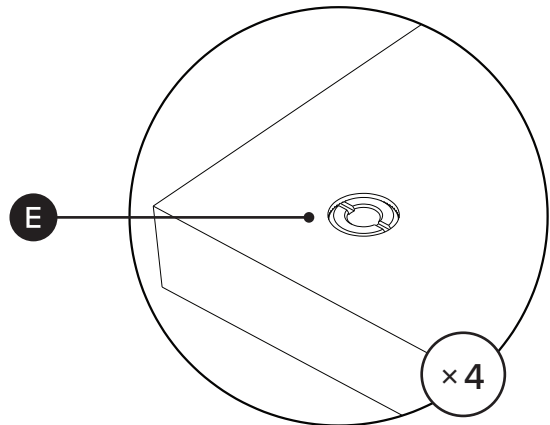
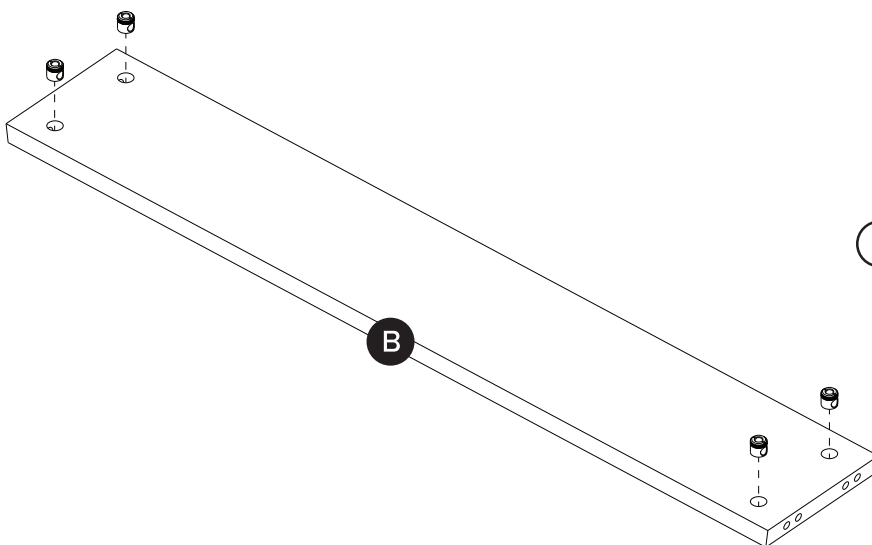
DIFFICULTY

PARTS INVENTORY		
ID	DESCRIPTION	QTY
A	LEG FRAME	2
B	SHELF	1
C	TABLE TOP	1
D	ANCHOR 	4
E	LOCK NUT 	4
F	WOOD DOWEL 	4
G	ALLEN KEY 	1
H	M8 × 30MM BOLT 	8
I	SCREW 	4

1

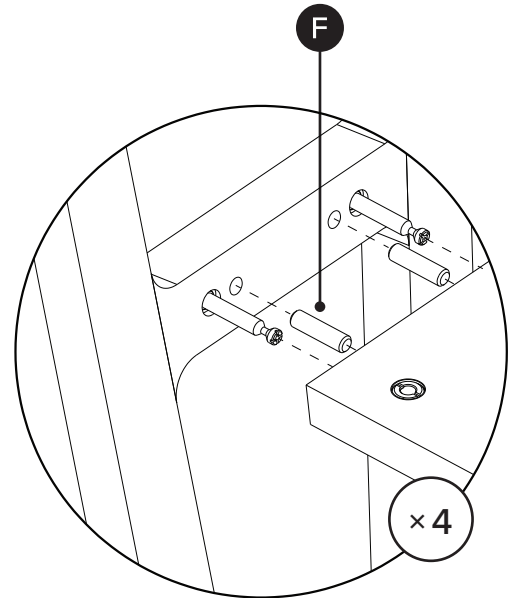
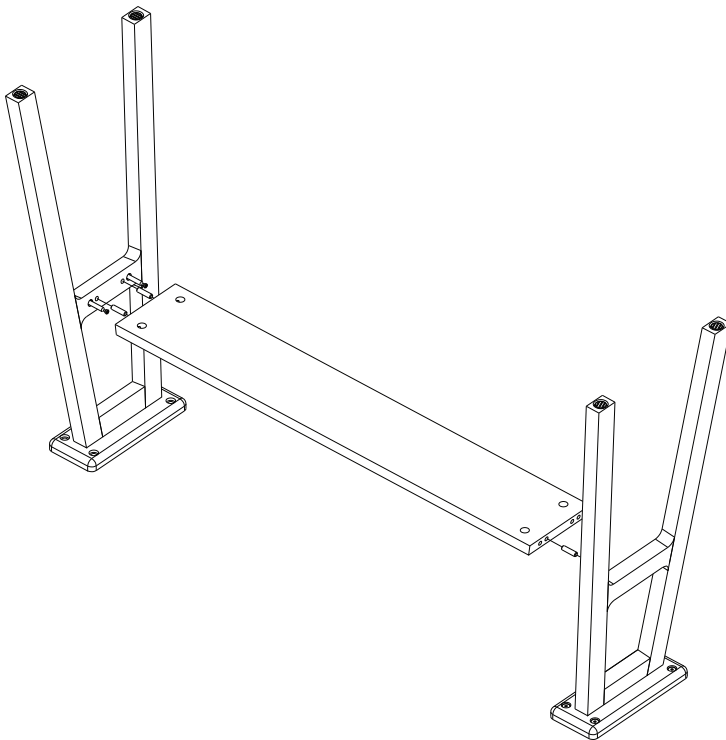


2

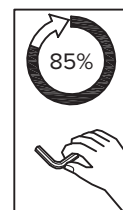
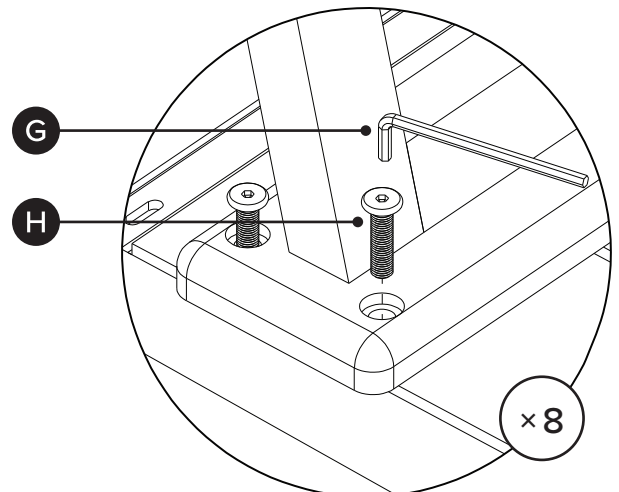
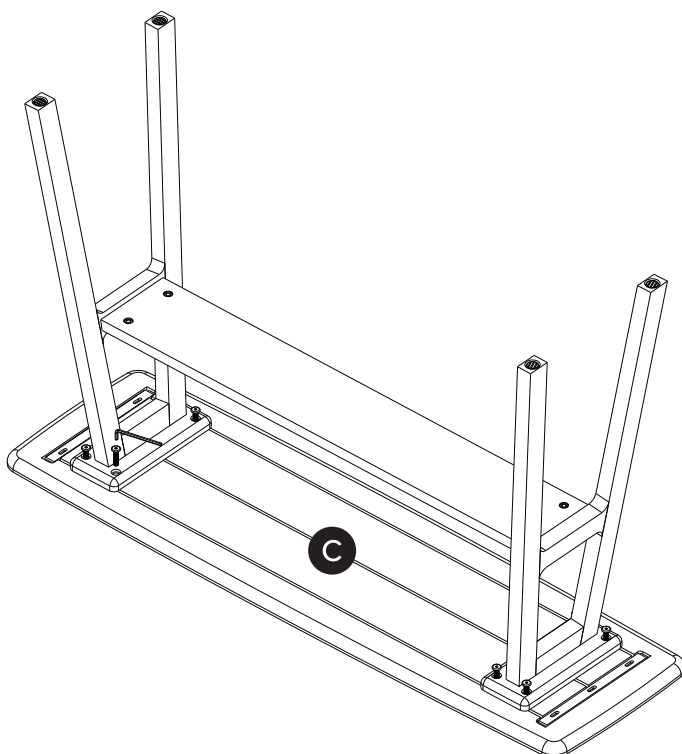


! Lines on lock nuts (E) must be parallel with the length of the shelf (B).

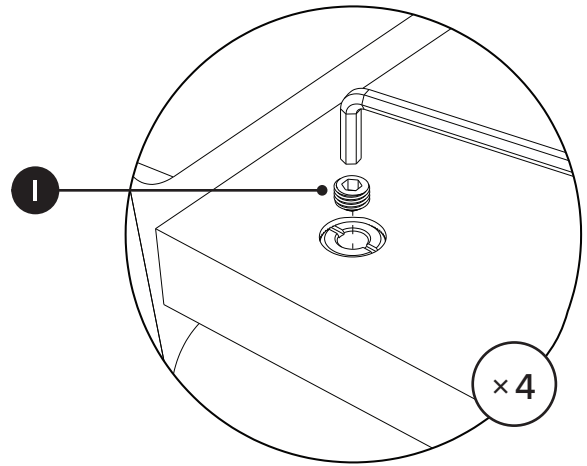
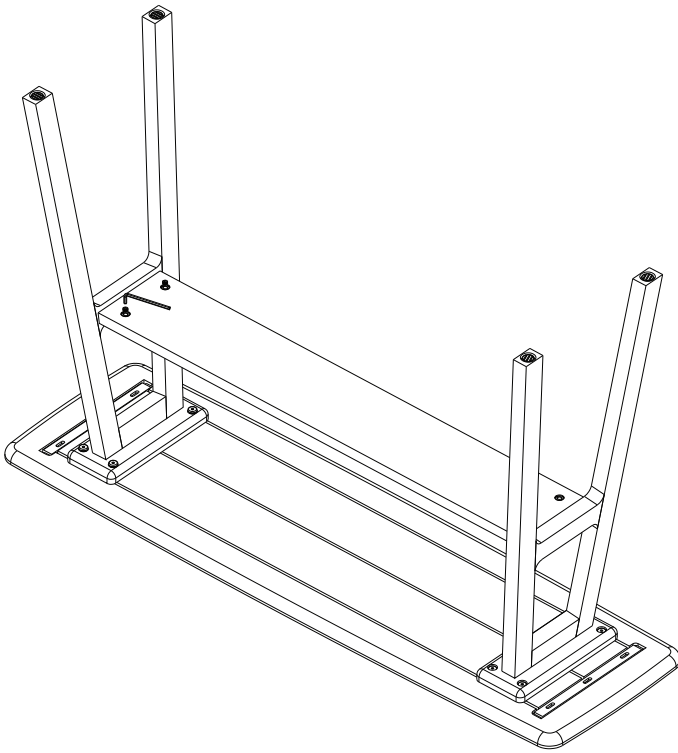
3



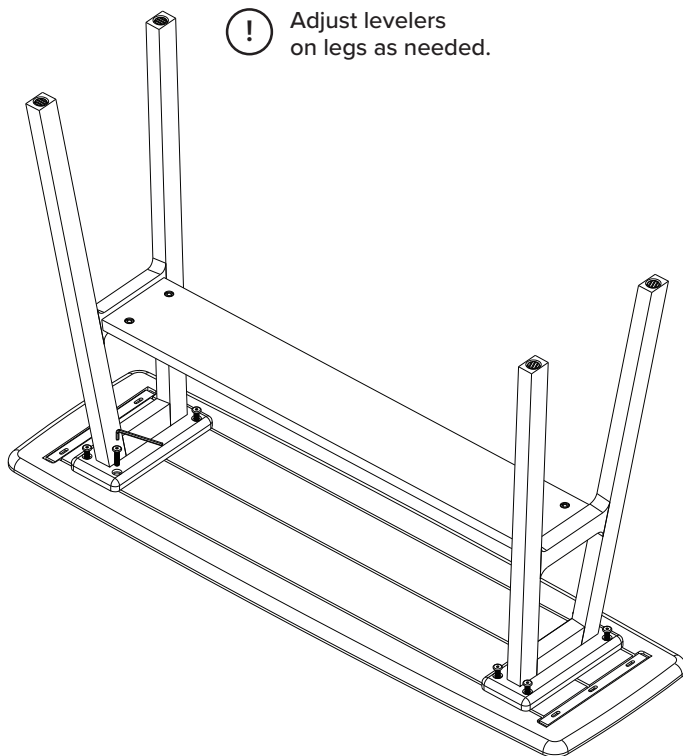
4



5



6



! Adjust levelers on legs as needed.

