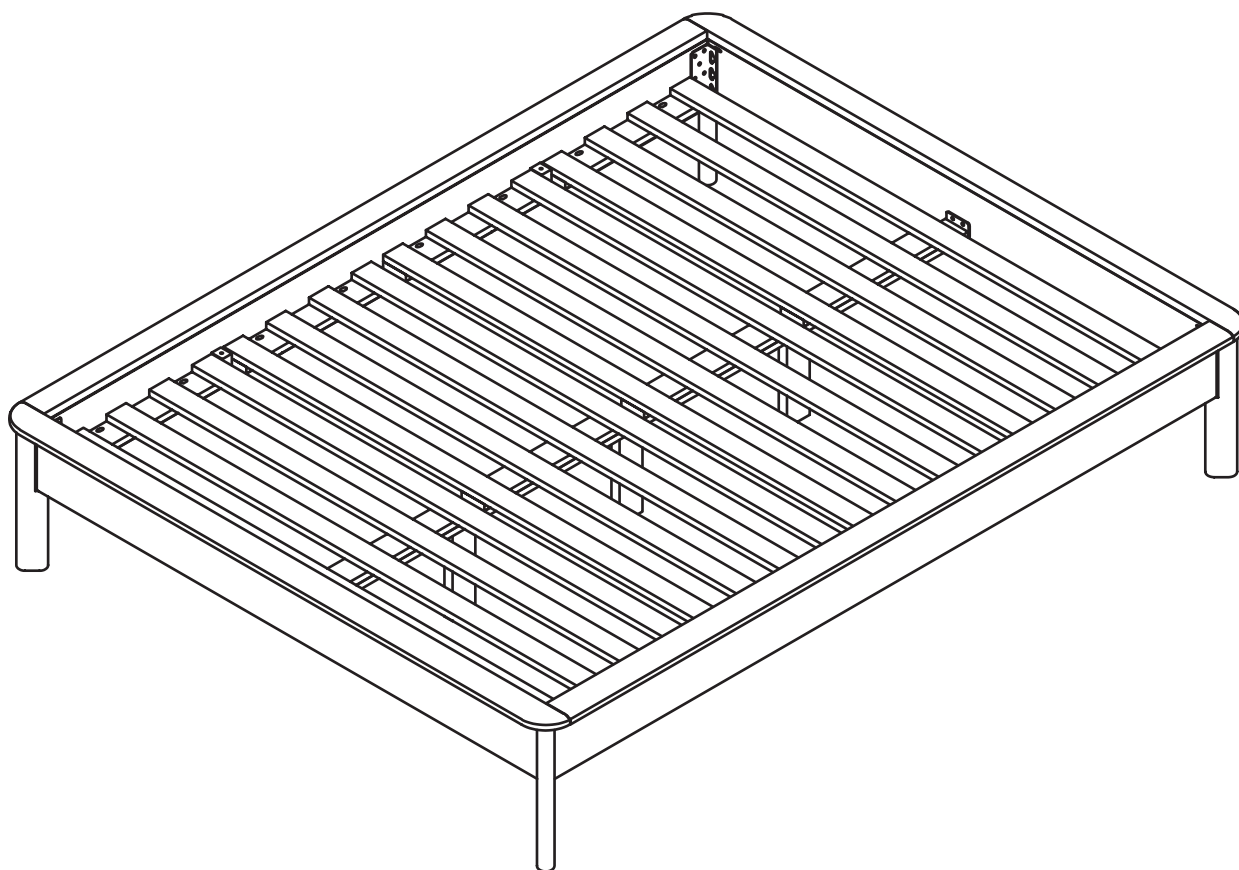


# ARTICLE.

VERSION 1.0

## Assembly Instructions



# PACTERA

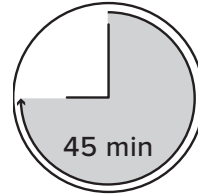
Bed

## ASSEMBLY INSTRUCTIONS

Read these instructions carefully and keep for future reference. Refer to parts inventory for guidance, and ensure you have all pieces before starting.

When assembling, place all parts on a soft, clean, and flat surface such as a carpet to prevent scratches.

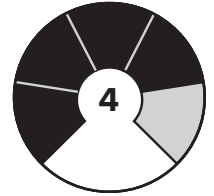
If you're having difficulty, our friendly Customer Care team is always here to help. Call us at **1.888.746.3455** during business hours, email [service@article.com](mailto:service@article.com) or chat live at [article.com](https://www.article.com).



TIME




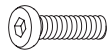



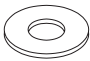



# OF PEOPLE

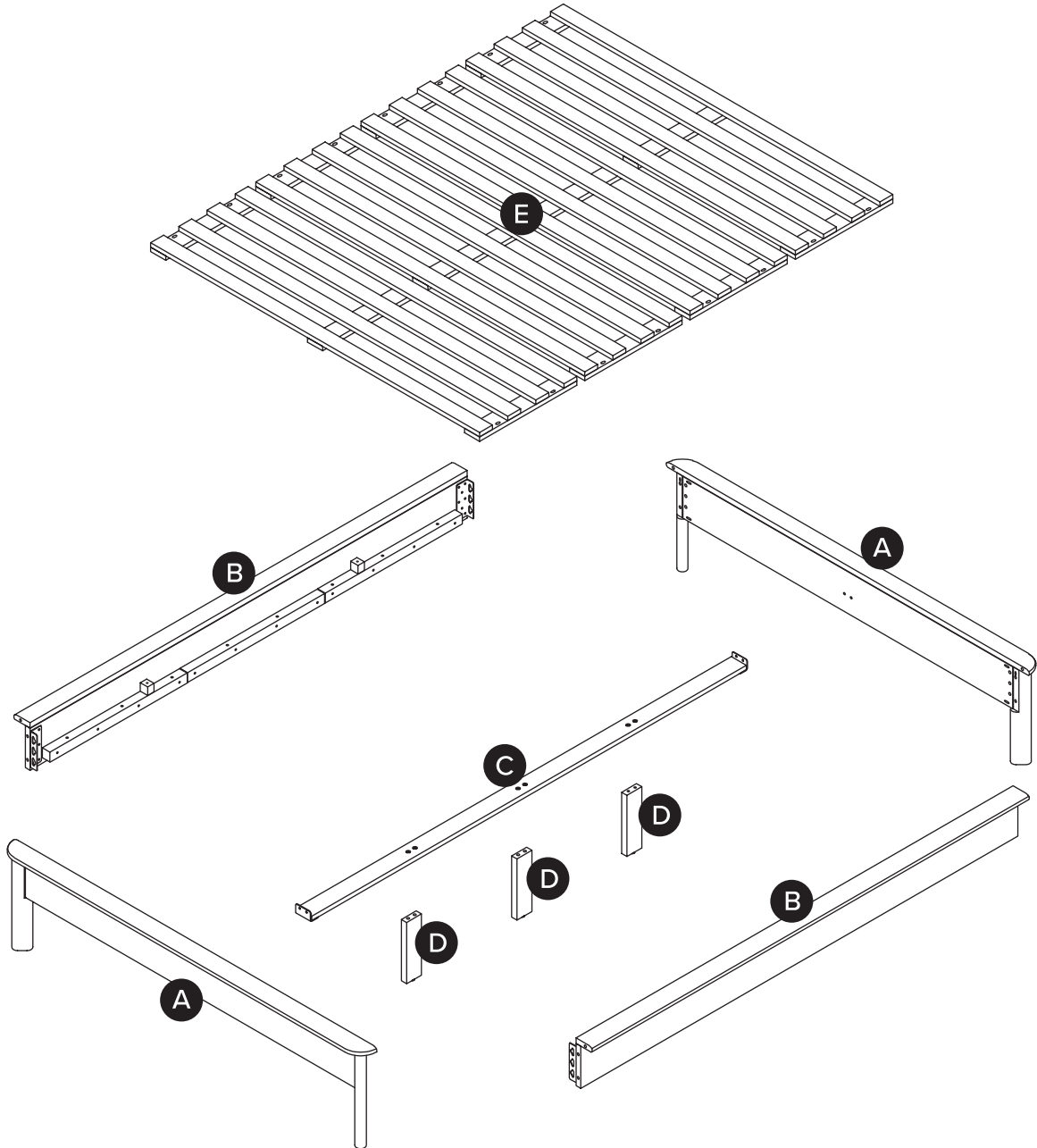


DIFFICULTY

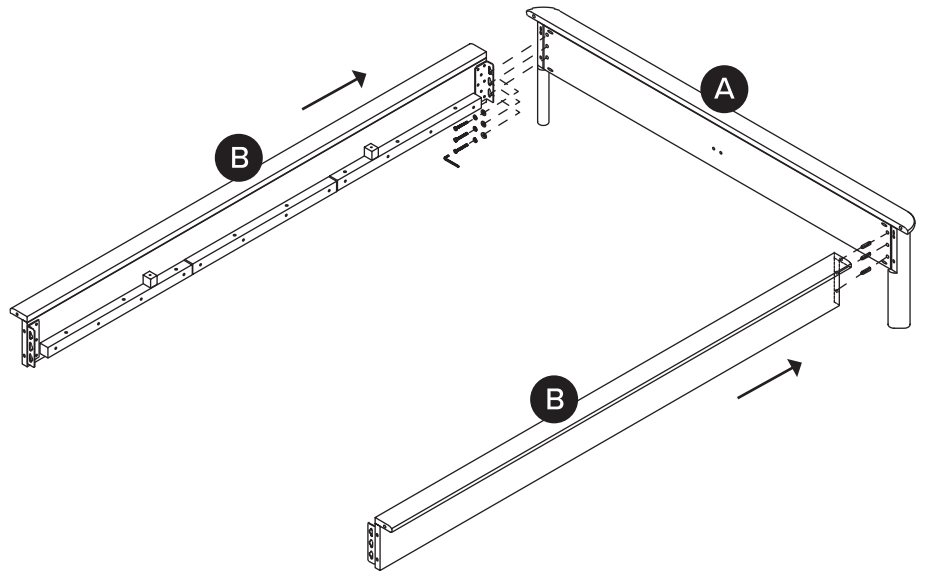
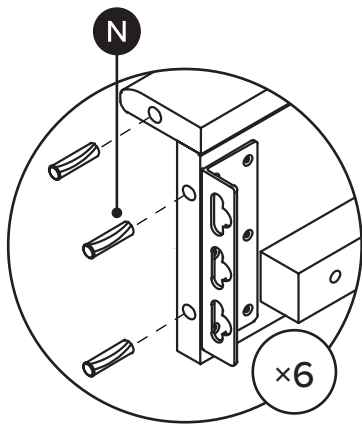
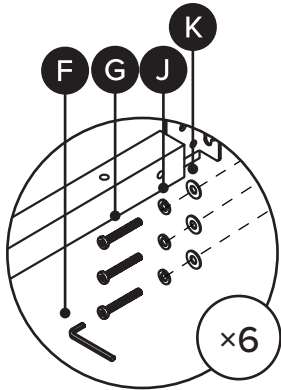
**!** Structural integrity is warranted only if all fasteners are properly installed & tightened, and the bed is moved only per instructions.

PARTS INVENTORY		
ID	DESCRIPTION	QTY
<b>A</b>	HEADBOARD, FOOTBOARD	2
<b>B</b>	SIDEBOARD	2
<b>C</b>	CENTER BEAM	1
<b>D</b>	SUPPORT LEG	3
<b>E</b>	SLATS	4

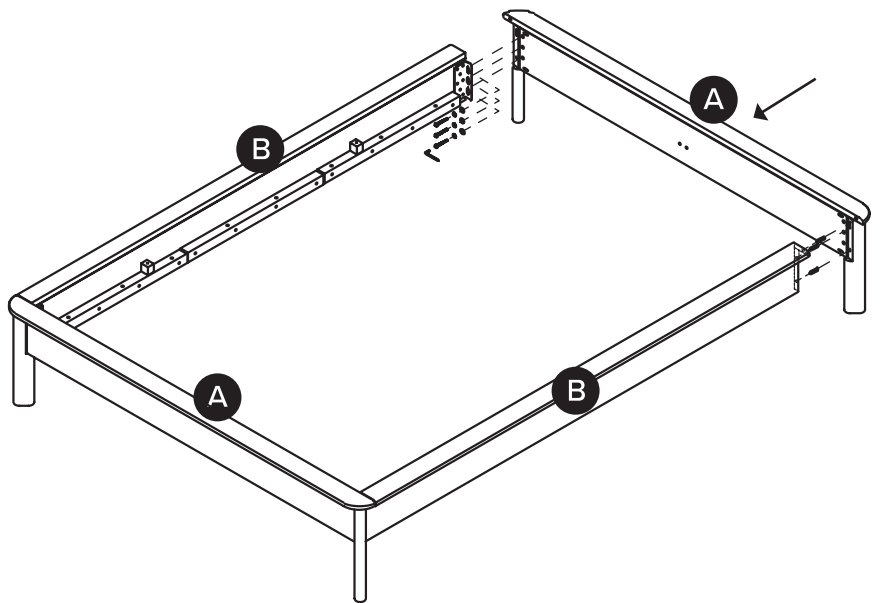
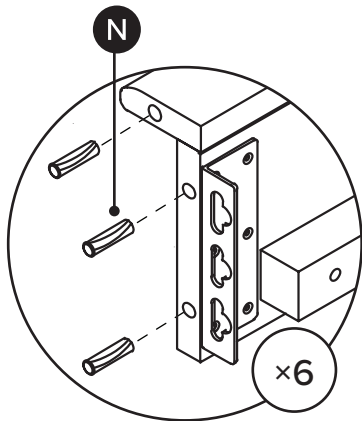
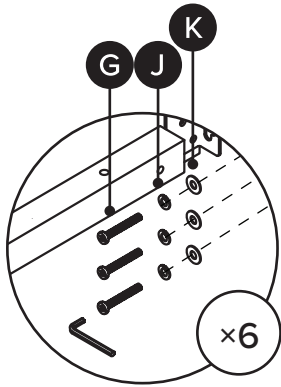
PARTS INVENTORY CONT.		
ID	DESCRIPTION	QTY
<b>F</b>	ALLEN KEY 	1
<b>G</b>	M8 × 20MM BOLT 	12
<b>H</b>	M6 × 35MM BOLT 	22
<b>I</b>	M6 × 15MM BOLT 	4
<b>J</b>	M8 LOCK WASHER 	12
<b>K</b>	M8 WASHER 	12
<b>L</b>	M6 LOCK WASHER 	20
<b>M</b>	M6 WASHER 	20
<b>N</b>	WOODEN DOWEL 	12



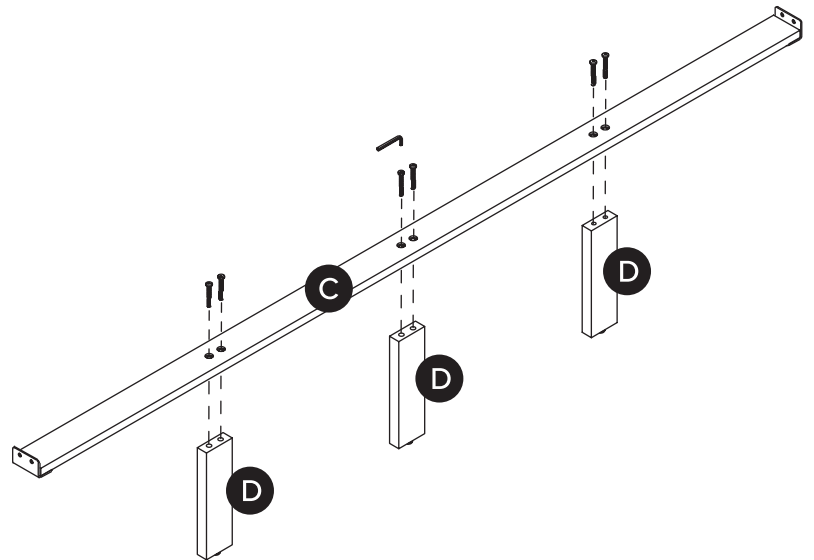
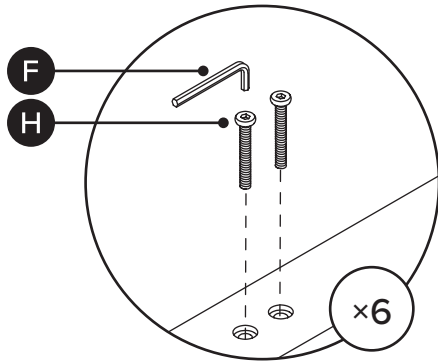
1



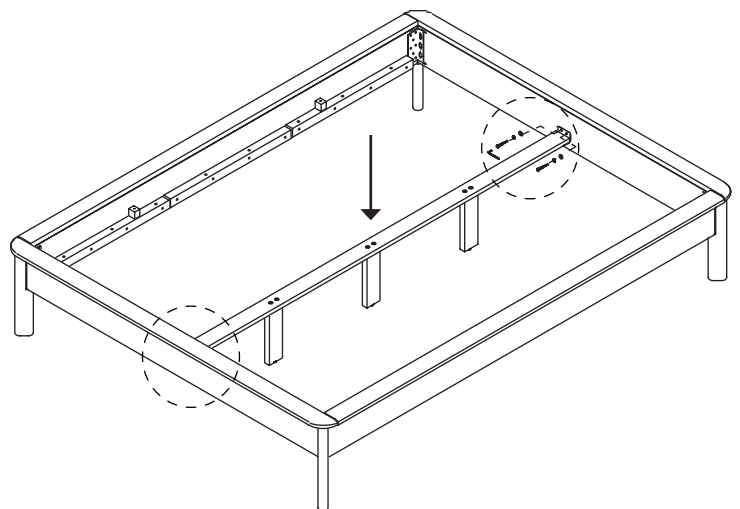
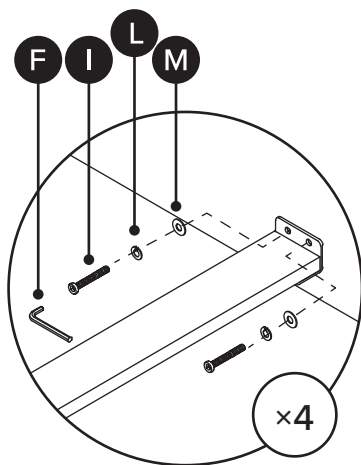
2



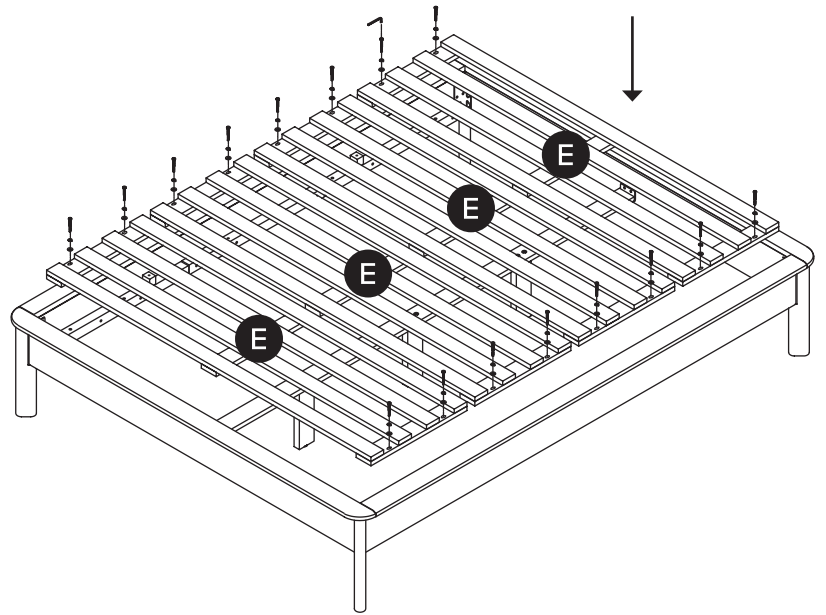
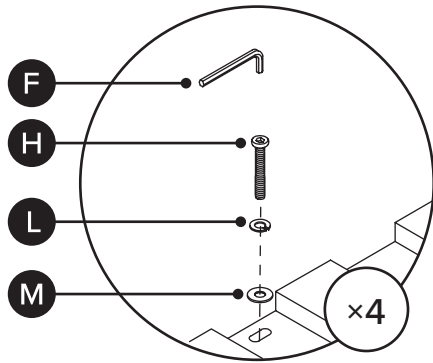
3



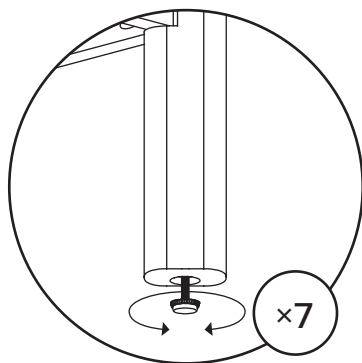
4



5



6



! Adjust levelers as needed.

