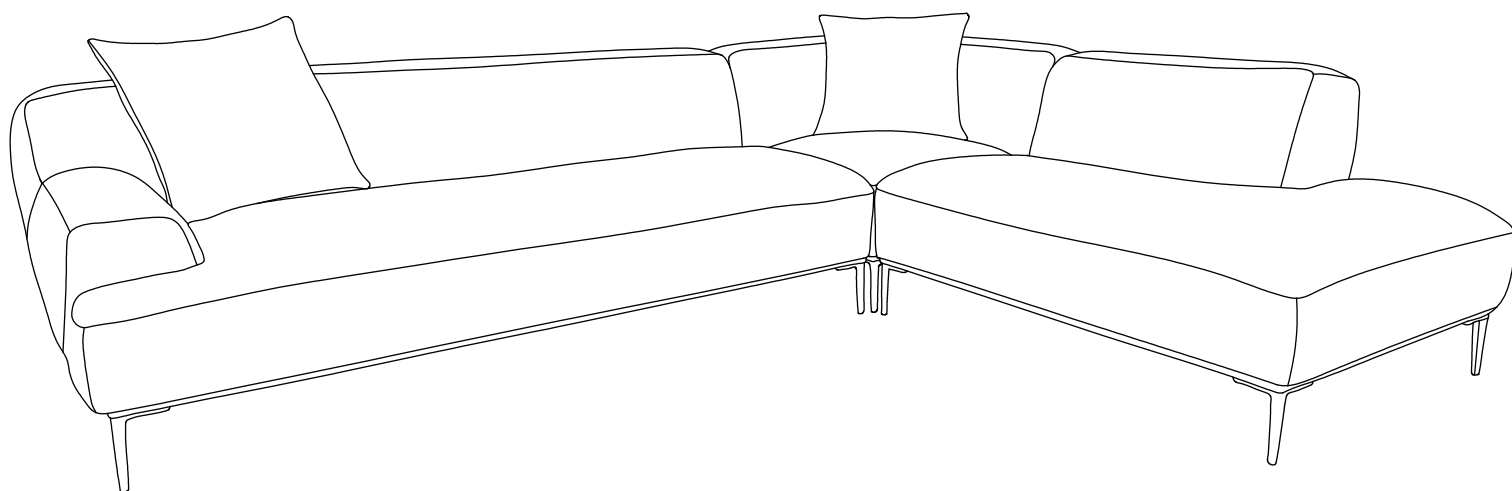


ARTICLE.

VERSION 1.1

Assembly Instructions



ABISKO

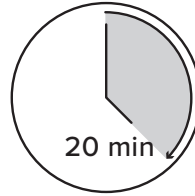
Right Corner Sectional

ASSEMBLY INSTRUCTIONS

Read these instructions carefully and keep for future reference. Refer to parts inventory for guidance, and ensure you have all pieces before starting.

When assembling, place all parts on a soft, clean, and flat surface such as a carpet to prevent scratches.

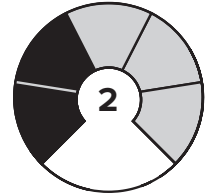
If you're having difficulty, our friendly Customer Care team is always here to help. Call us at **1.888.746.3455** during business hours, email service@article.com or chat live at [article.com](https://www.article.com).



TIME

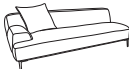





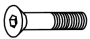


OF PEOPLE

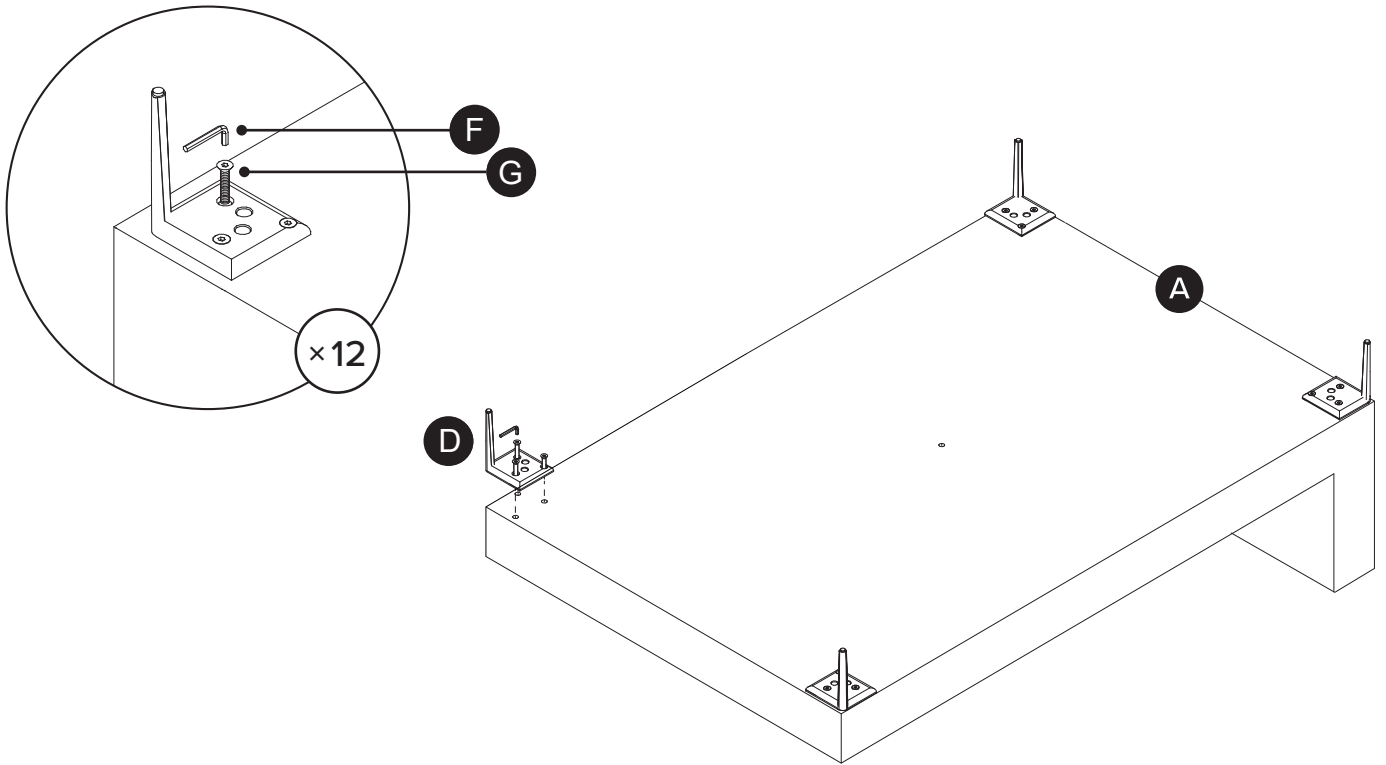


DIFFICULTY

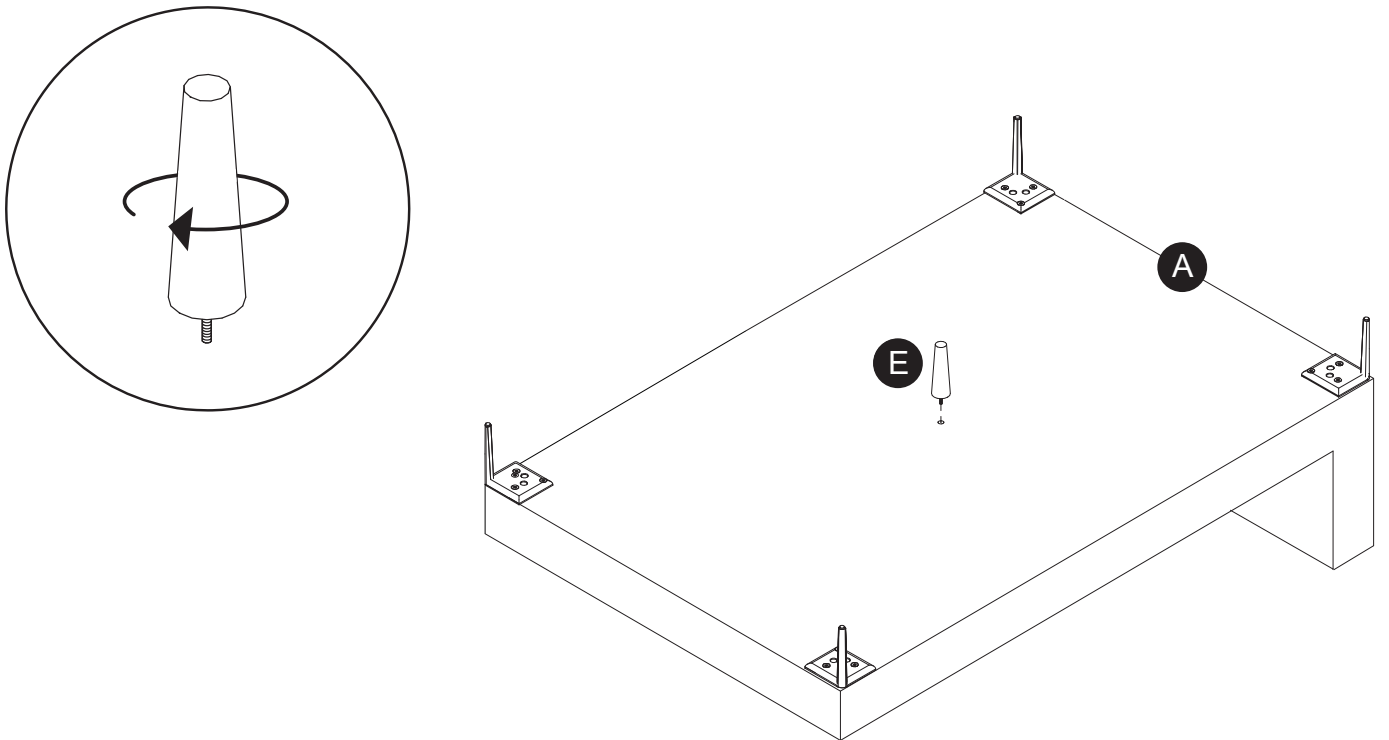
! Hardware may loosen over time, check the bolts regularly and tighten if necessary.

PARTS INVENTORY		
ID	DESCRIPTION	QTY
A	LEFT SOFA SECTION 	1
B	CORNER SECTION 	1
C	RIGHT ARMLESS CHAISE SECTION 	1
D	CORNER LEG 	12
E	CENTER LEG 	1
F	ALLEN KEY 	3
G	BOLT 	36

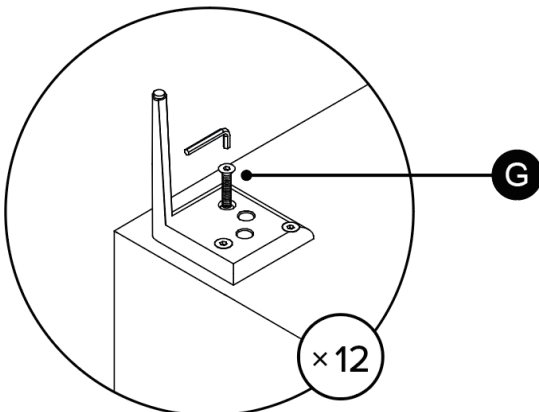
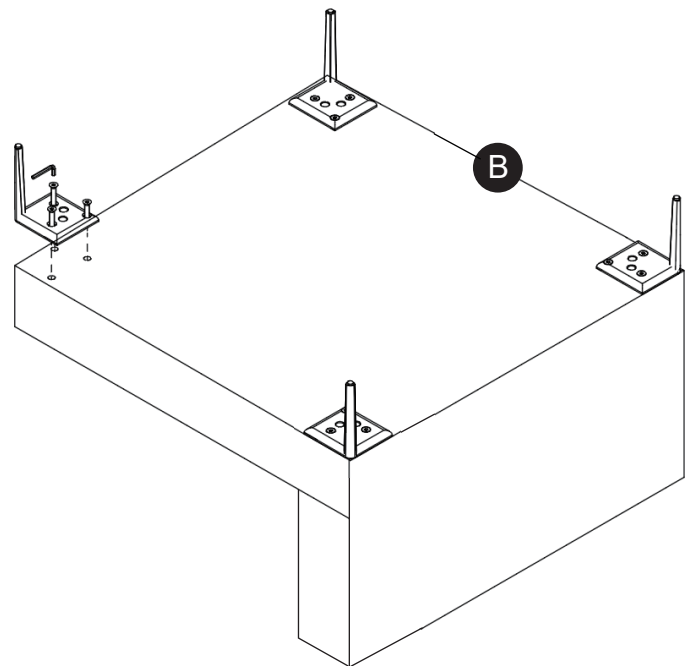
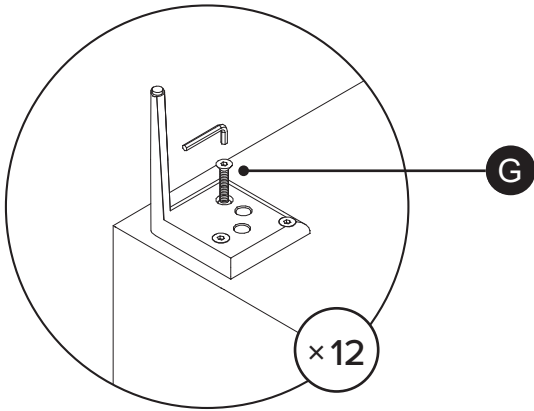
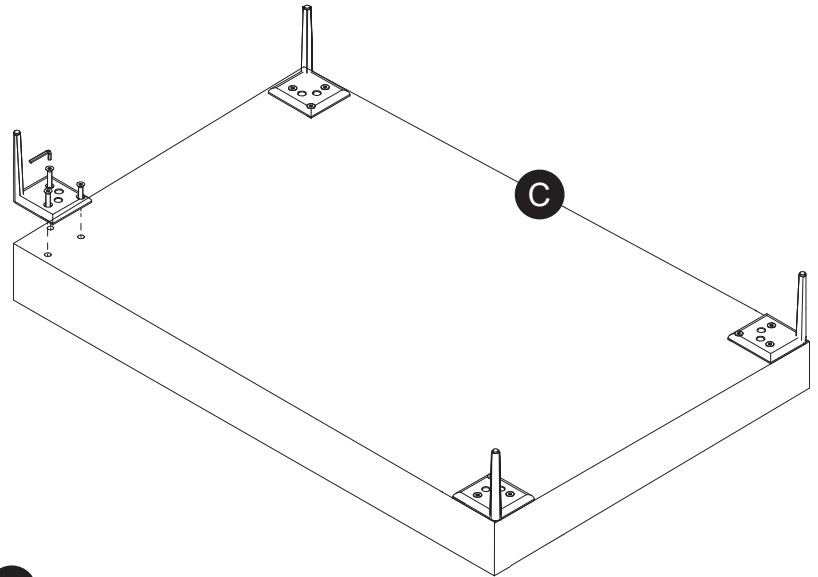
1A



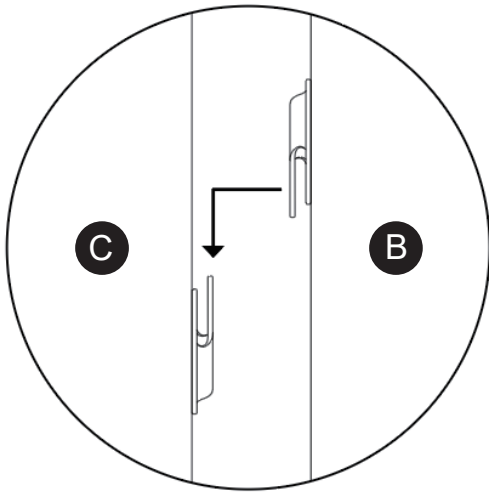
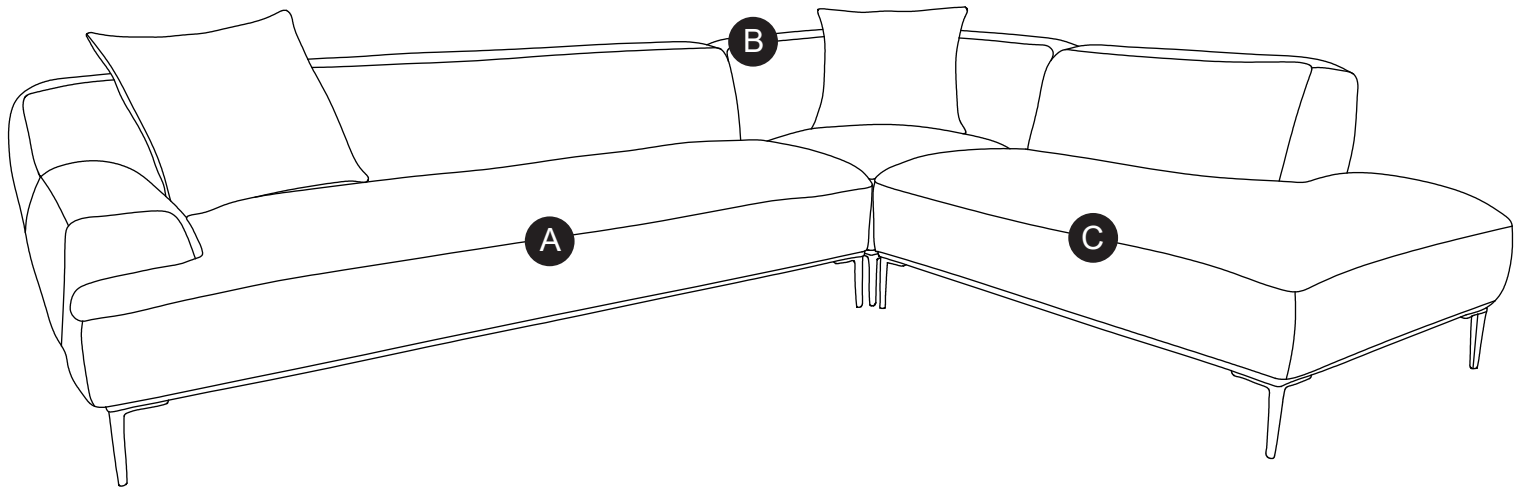
1B



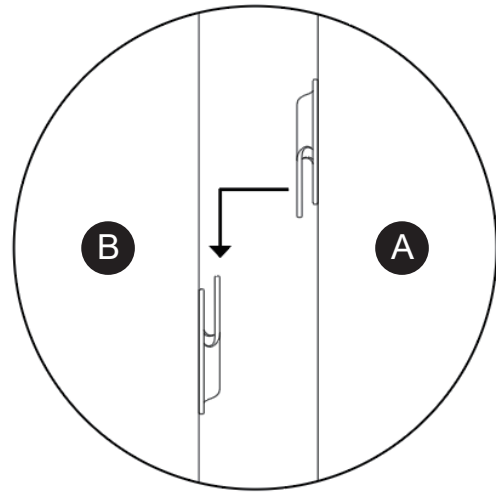
2



2



1



2