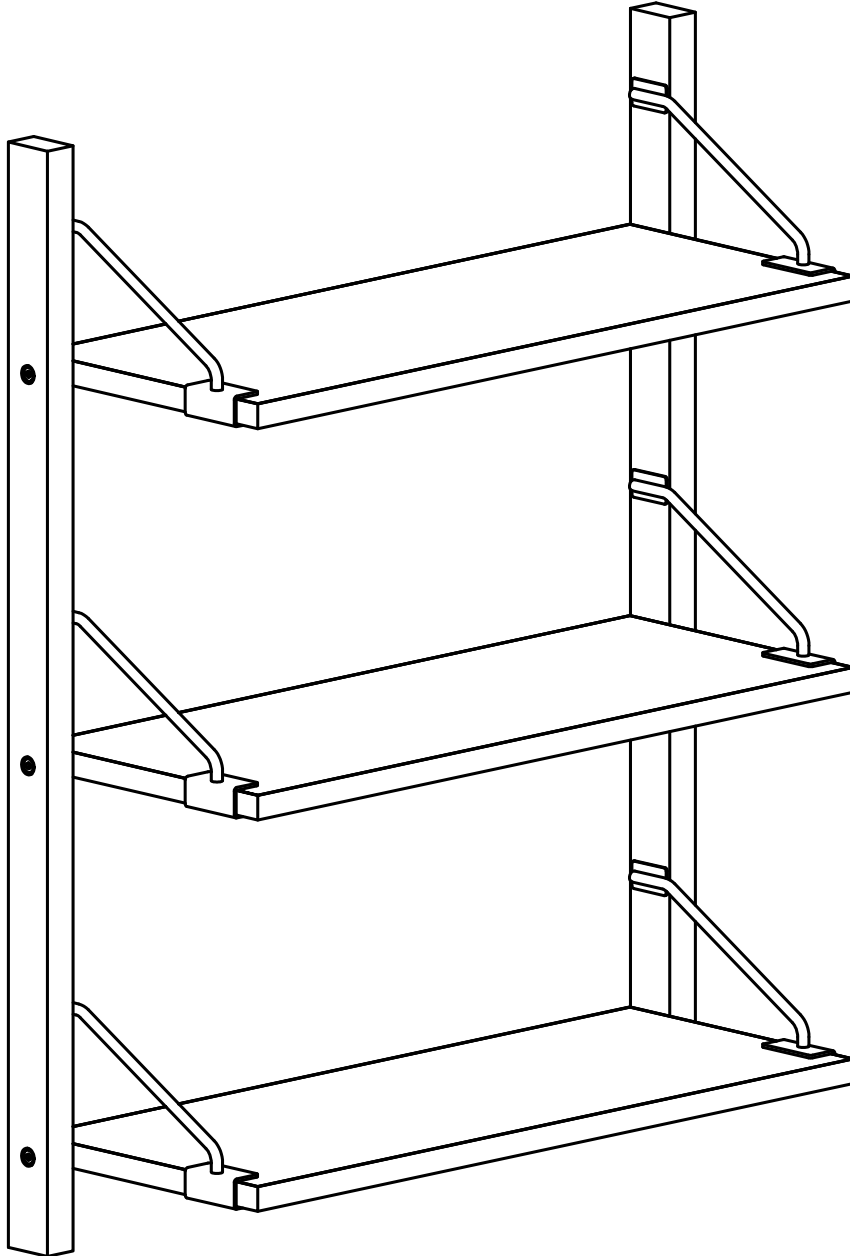


# ARTICLE.

VERSION 1.0

## Assembly Instructions



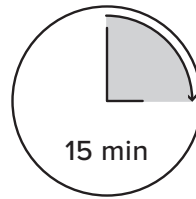
## Stark Narrow 3-Tier Shelf

## ASSEMBLY INSTRUCTIONS

Read these instructions carefully and keep for future reference. Refer to parts inventory for guidance, and ensure you have all pieces before starting.

When assembling, place all parts on a soft, clean, and flat surface such as a carpet to prevent scratches.

If you're having difficulty, our friendly Customer Care team is always here to help. Call us at **1.888.746.3455** during business hours, email [service@article.com](mailto:service@article.com) or chat live at [article.com](https://www.article.com).

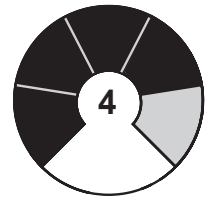


15 min

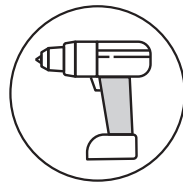
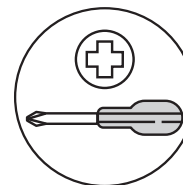
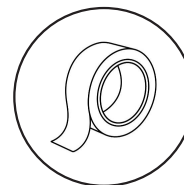
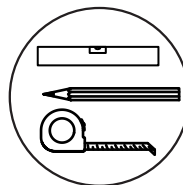
TIME



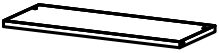

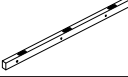


# OF PEOPLE


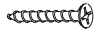



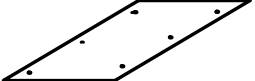


DIFFICULTY

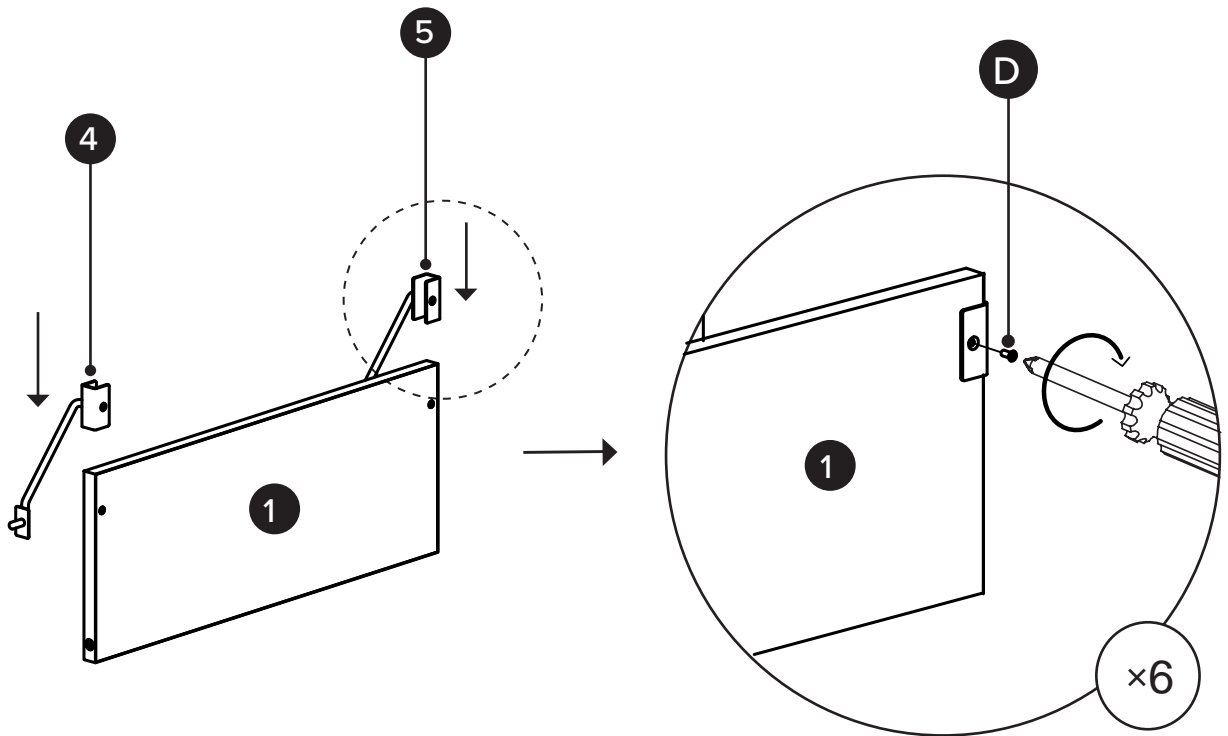


REQUIRED TOOL

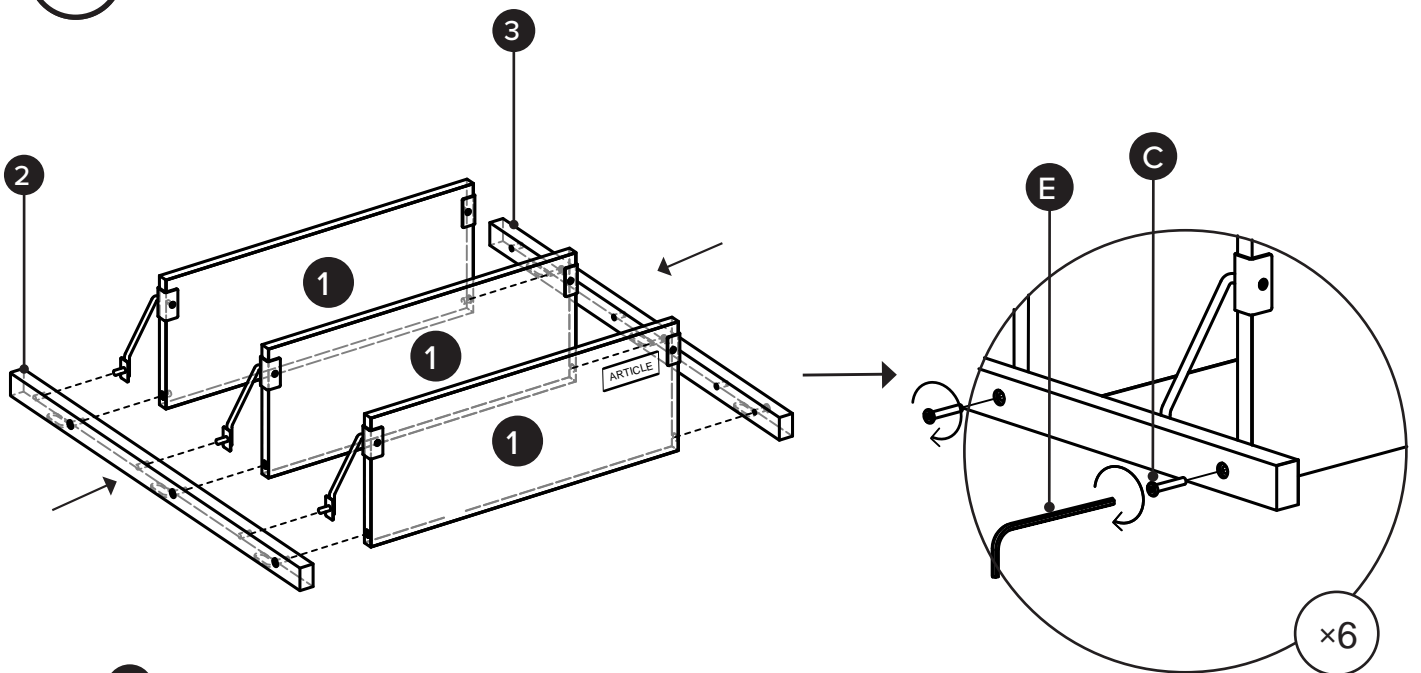
PARTS INVENTORY			
ID	DESCRIPTION		QTY
1	SHELF 18 x 228 x 584		3
2	LEFT WALL MOUNT SUPPORT RAIL		1
3	RIGHT WALL MOUNT SUPPORT RAIL		1
4	LEFT SHELF BRACKET		3
5	RIGHT SHELF BRACKET		3

HARDWARE LIST			
ID	DESCRIPTION		QTY
A	PLASTIC WALL ANCHOR M8 x 40 MM		6
B	M5 x 40MM SCREW		6
C	BOLTS M6 x 35 MM		6
D	BOLTS M4 x 10 MM		6+1
E	ALLEN KEY		1
F	PAPER JIG		1

1



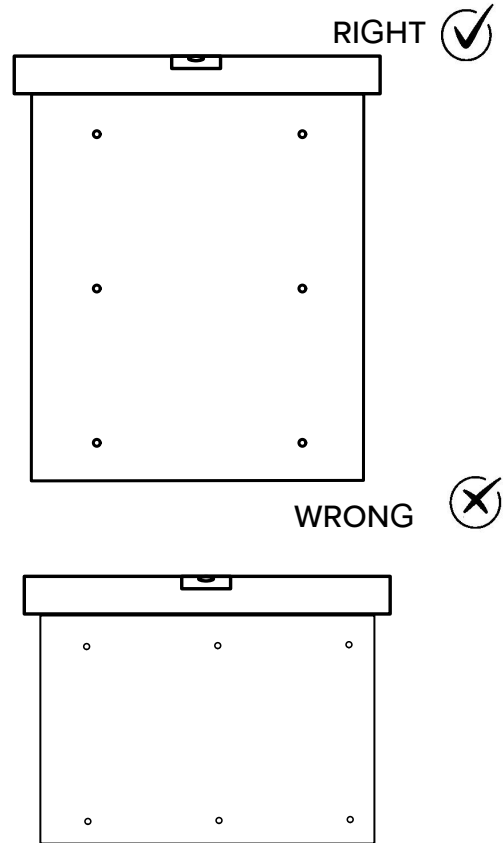
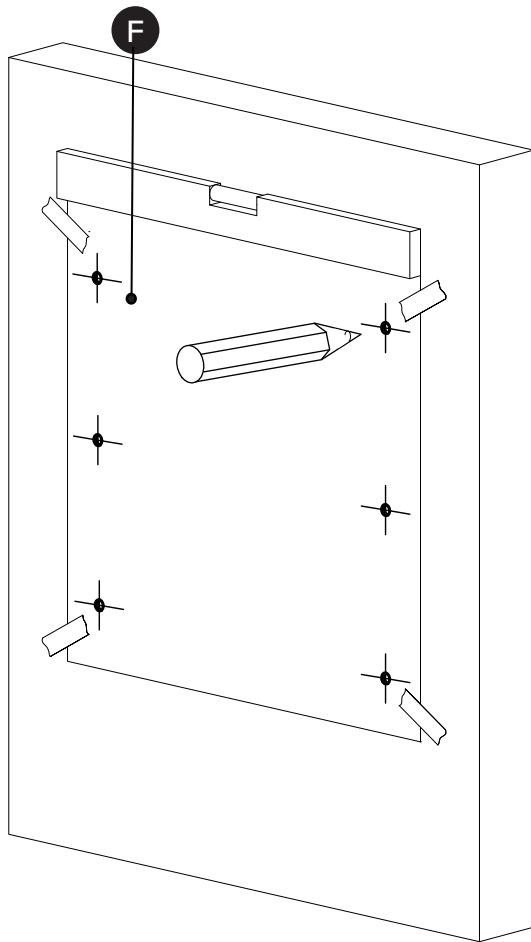
2



! Only tighten bolts when all the shelves are attached to the wall mount support rails.

3

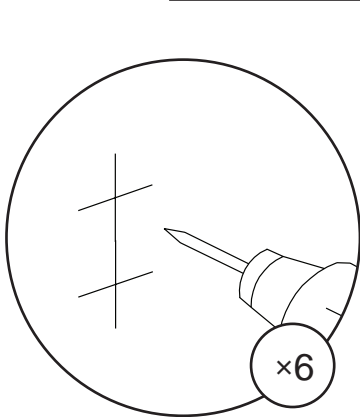
Use a paper jig and water level to mark the spots for drilling holes on the wall.



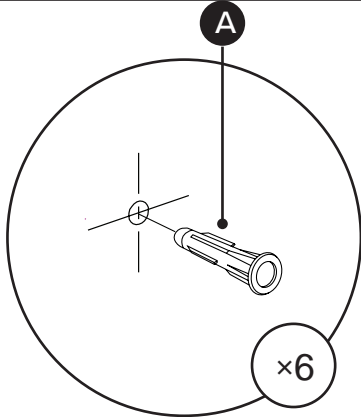
4

! Drill hole into brick wall, insert anchor (A) and attach screw (B) to wall.

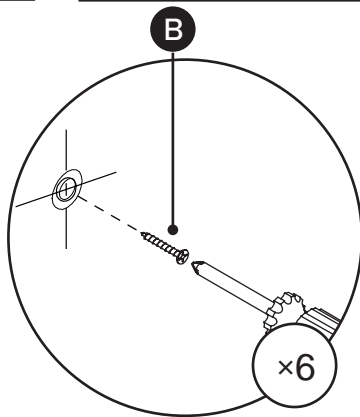
! Anchor and screw here only using on wall material brick wall.



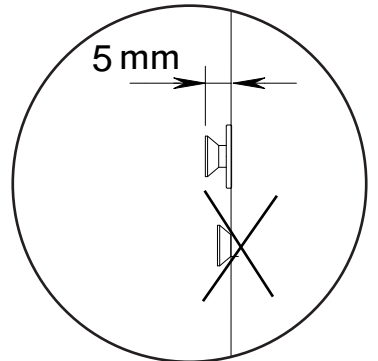
**HOLE**  
Drill hole in wall with drill bit 8mm



**ANCHOR**  
! Note for this step use a hammer to insert anchor (A) to brick wall.

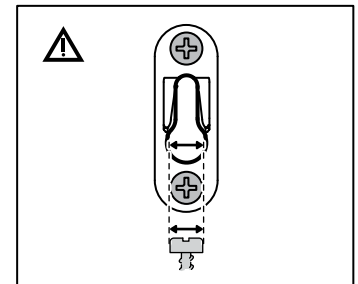
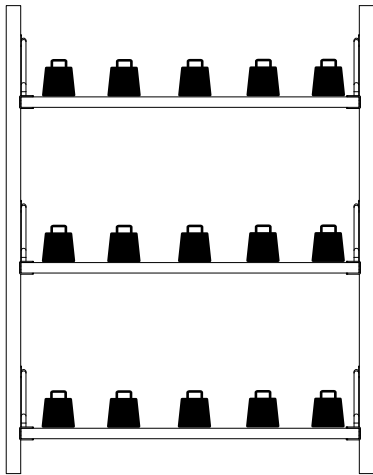
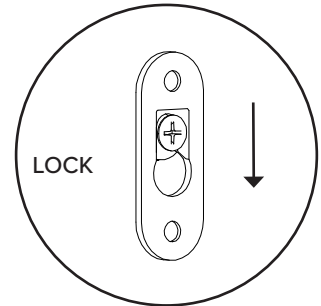
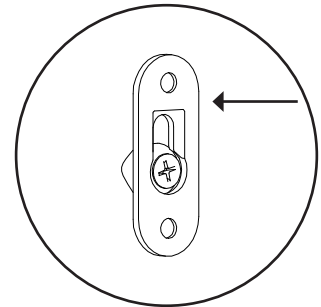
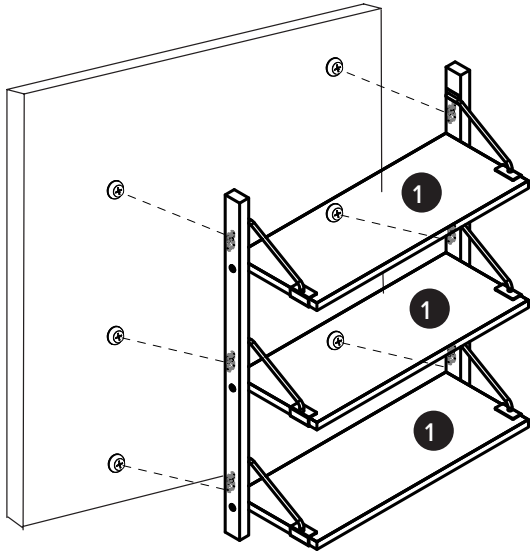


**SCREW M5x40mm**



5

! Hang the shelf on the wall. Ensure that shelf can not slide left or right.



Attention: Maximum load on each shelf is 44lbs

