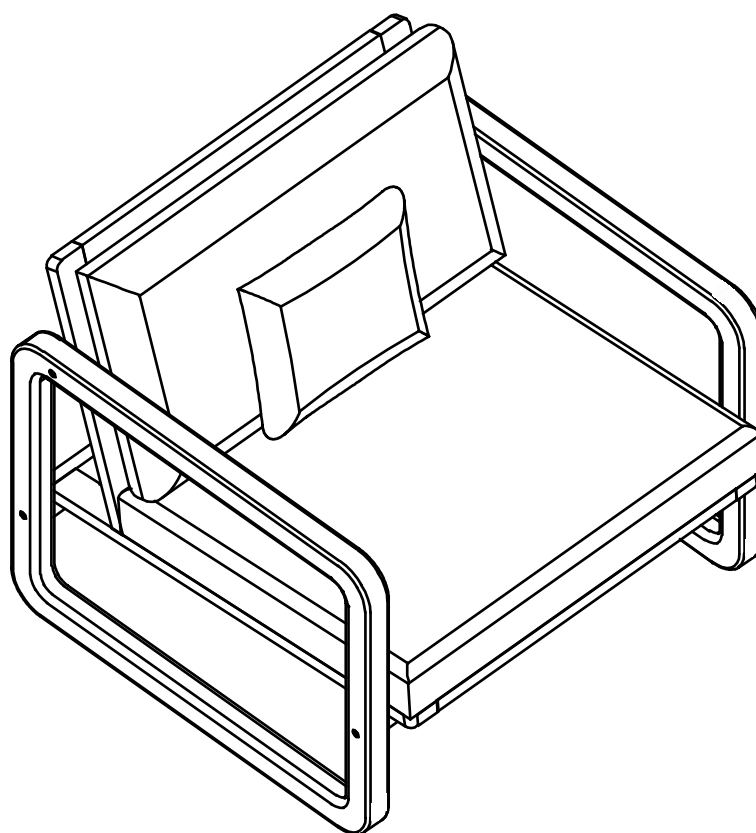


ARTICLE.

VERSION 2.0

Assembly Instructions



LAHOLM

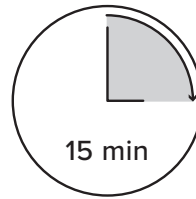
Lounge Chair

ASSEMBLY INSTRUCTIONS

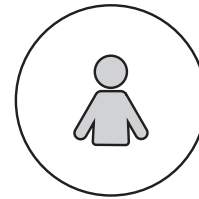
Read these instructions carefully and keep for future reference. Refer to parts inventory for guidance, and ensure you have all pieces before starting.

When assembling, place all parts on a soft, clean, and flat surface such as a carpet to prevent scratches.

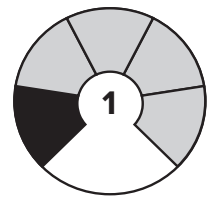
If you're having difficulty, our friendly Customer Care team is always here to help. Call us at **1.888.746.3455** during business hours, email service@article.com or chat live at [article.com](https://www.article.com).



TIME








OF PEOPLE



DIFFICULTY

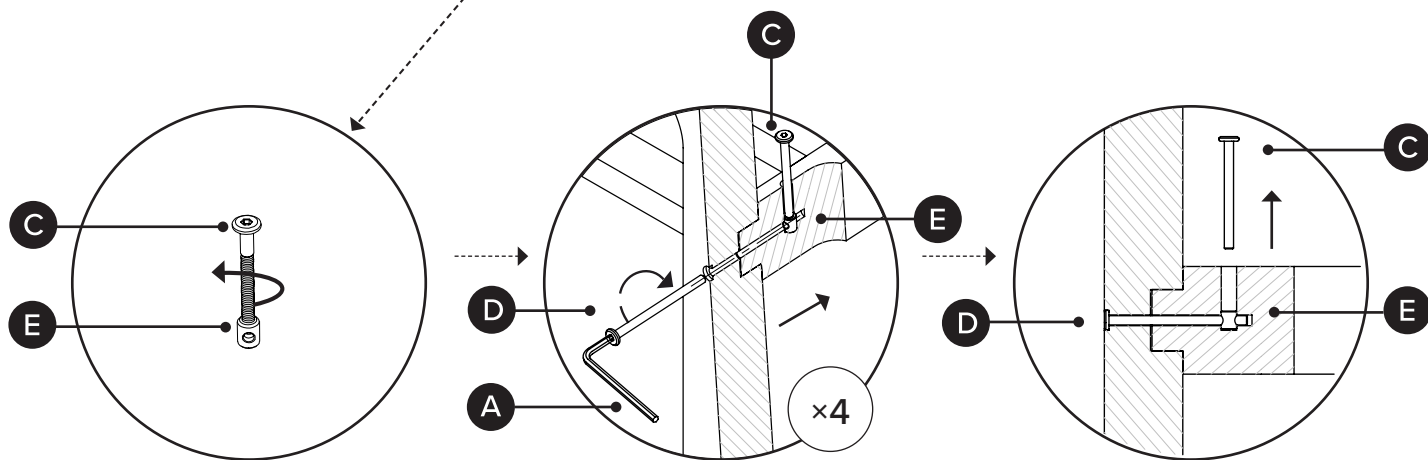
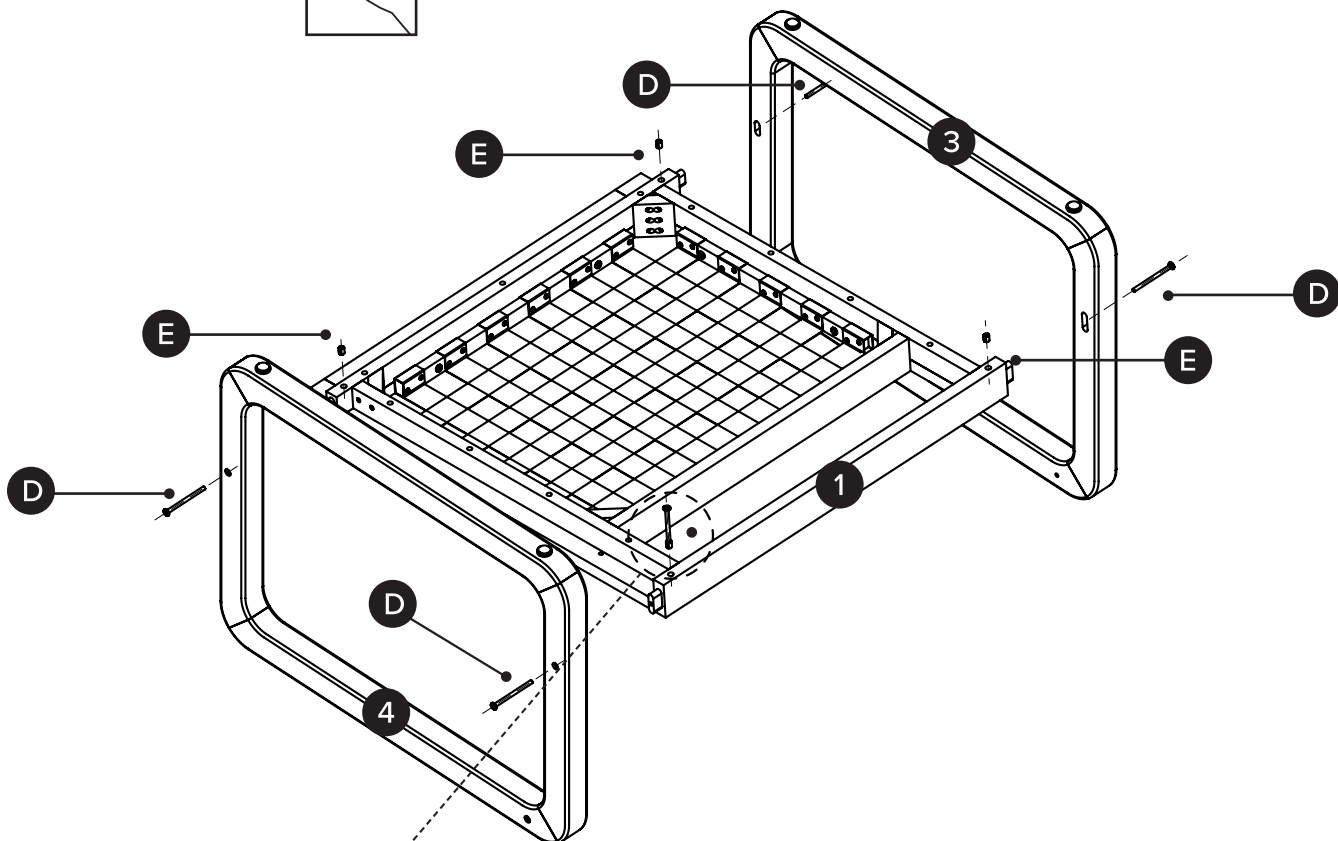
PARTS INVENTORY		
ID	DESCRIPTION	QTY
1	SEAT	1
2	BACKREST	1
3	RIGHT LEG	1
4	LEFT LEG	1
5	SEAT CUSHION	1
6	BACK CUSHION	1
7	PILLOW	1

TOOLS INVENTORY		
ID	DESCRIPTION	QTY
A	ALLEN KEY 	1

HARDWARE INVENTORY		
ID	DESCRIPTION	QTY
B	M6 x 40MM BOLT 	2
C	M6 x 70MM BOLT 	3
D	M6 x 90MM BOLT 	4
E	NUT 	4

1

! Do not completely tighten bolts.



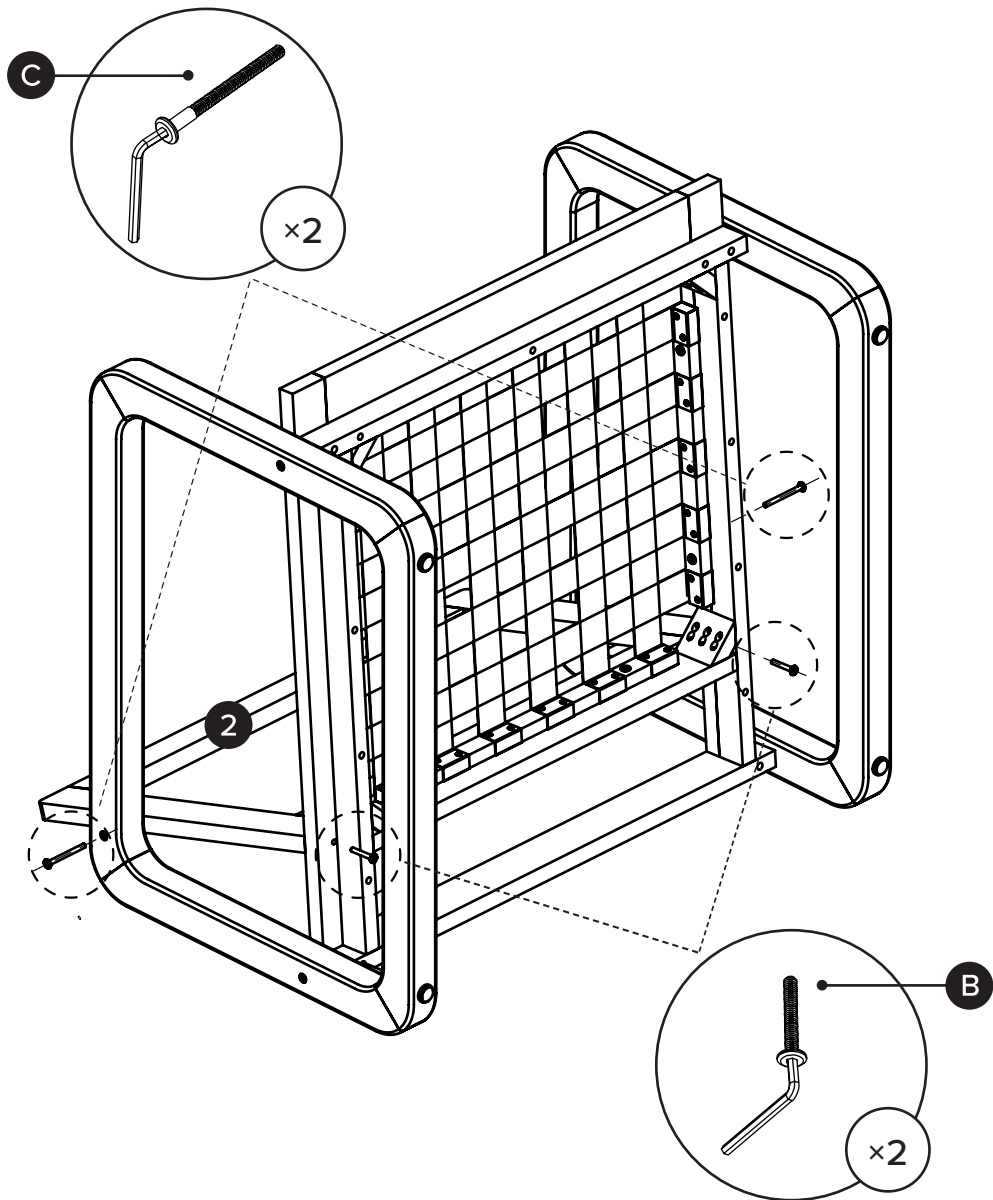
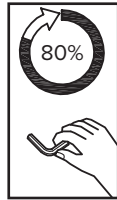
! Note: use bolt (C) as a tool to insert temporarily and hold nut (E) to holes underneath the seat, while connecting bolt (D) to nut (E).

Nut (E) has to turn toward the right direction to connect with bolt (D).

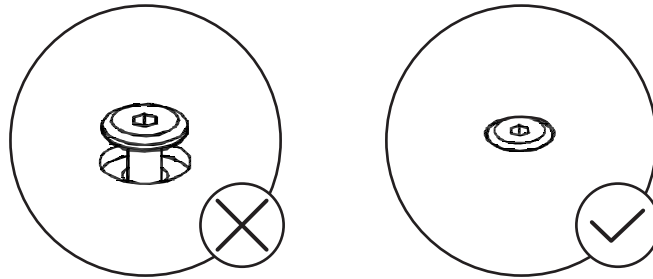
Remove bolt (C) after nut (E) is completely attached to bolt (D).

2

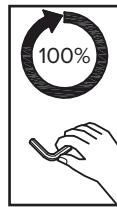
! Do not completely tighten bolts.



3

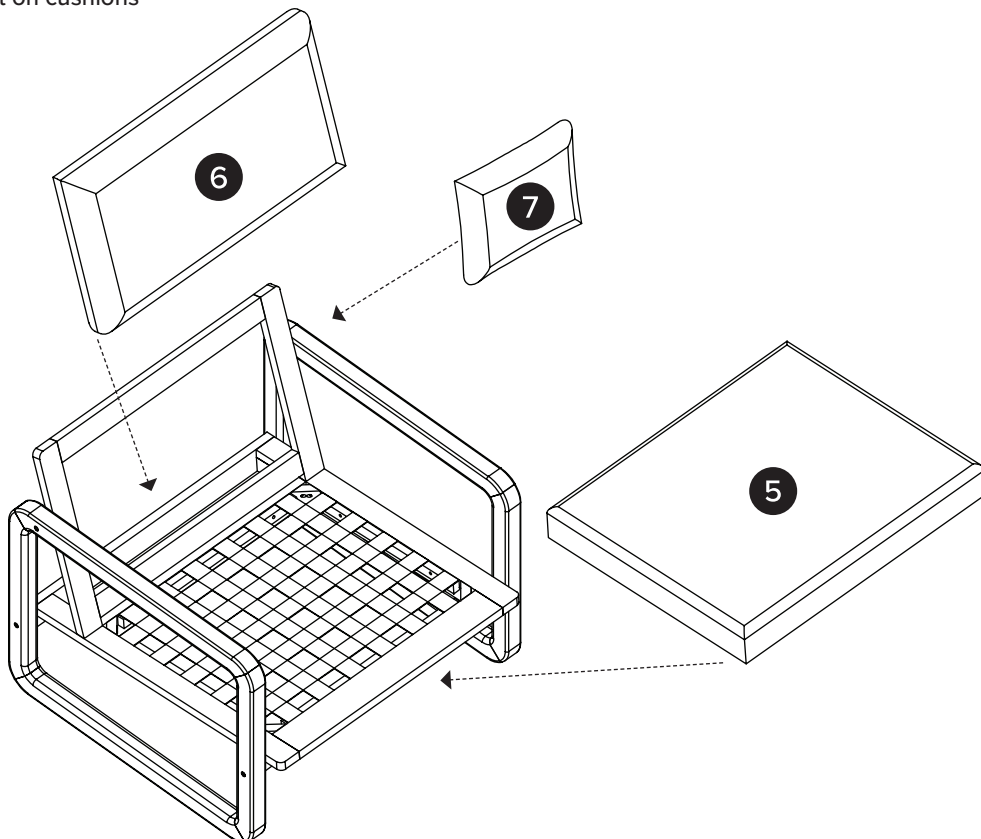


! Once all bolts are placed, completely tighten



4

Put on cushions



5

Product is ready for use.

