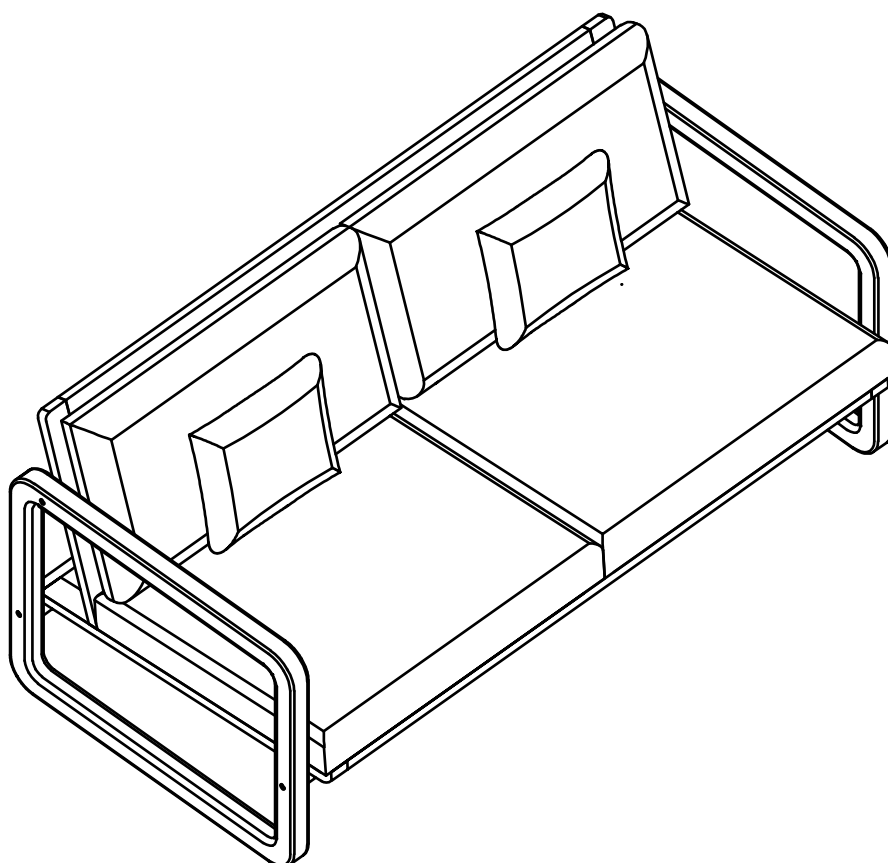


ARTICLE.

VERSION 2.0

Assembly Instructions



LAHOLM

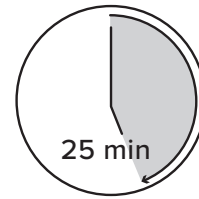
Loveseat

ASSEMBLY INSTRUCTIONS

Read these instructions carefully and keep for future reference. Refer to parts inventory for guidance, and ensure you have all pieces before starting.

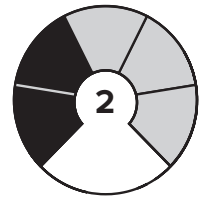
When assembling, place all parts on a soft, clean, and flat surface such as a carpet to prevent scratches.

If you're having difficulty, our friendly Customer Care team is always here to help. Call us at **1.888.746.3455** during business hours, email service@article.com or chat live at [article.com](https://www.article.com).



25 min

TIME



2

DIFFICULTY



OF PEOPLE

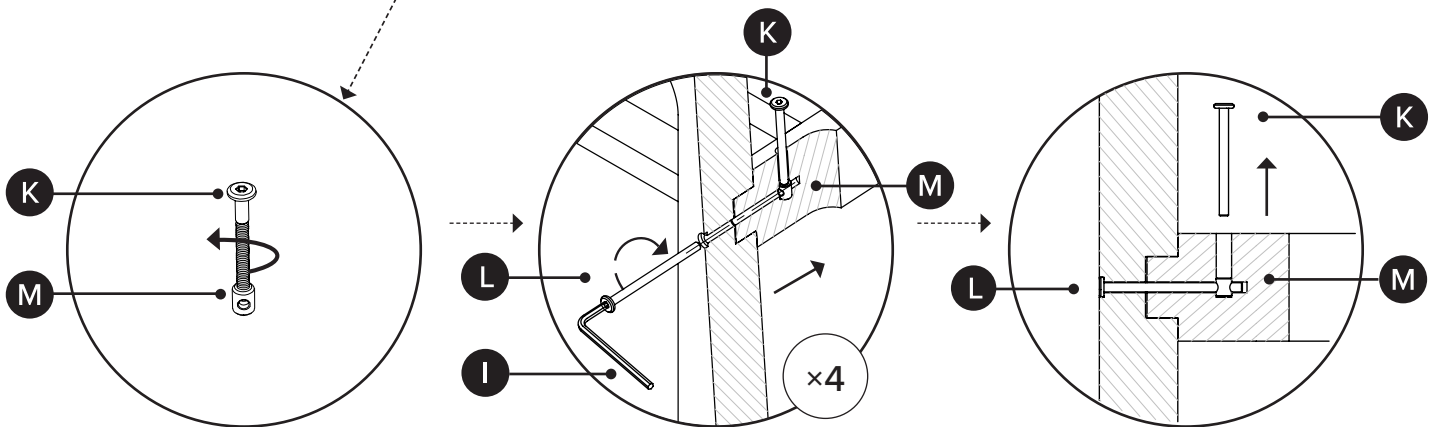
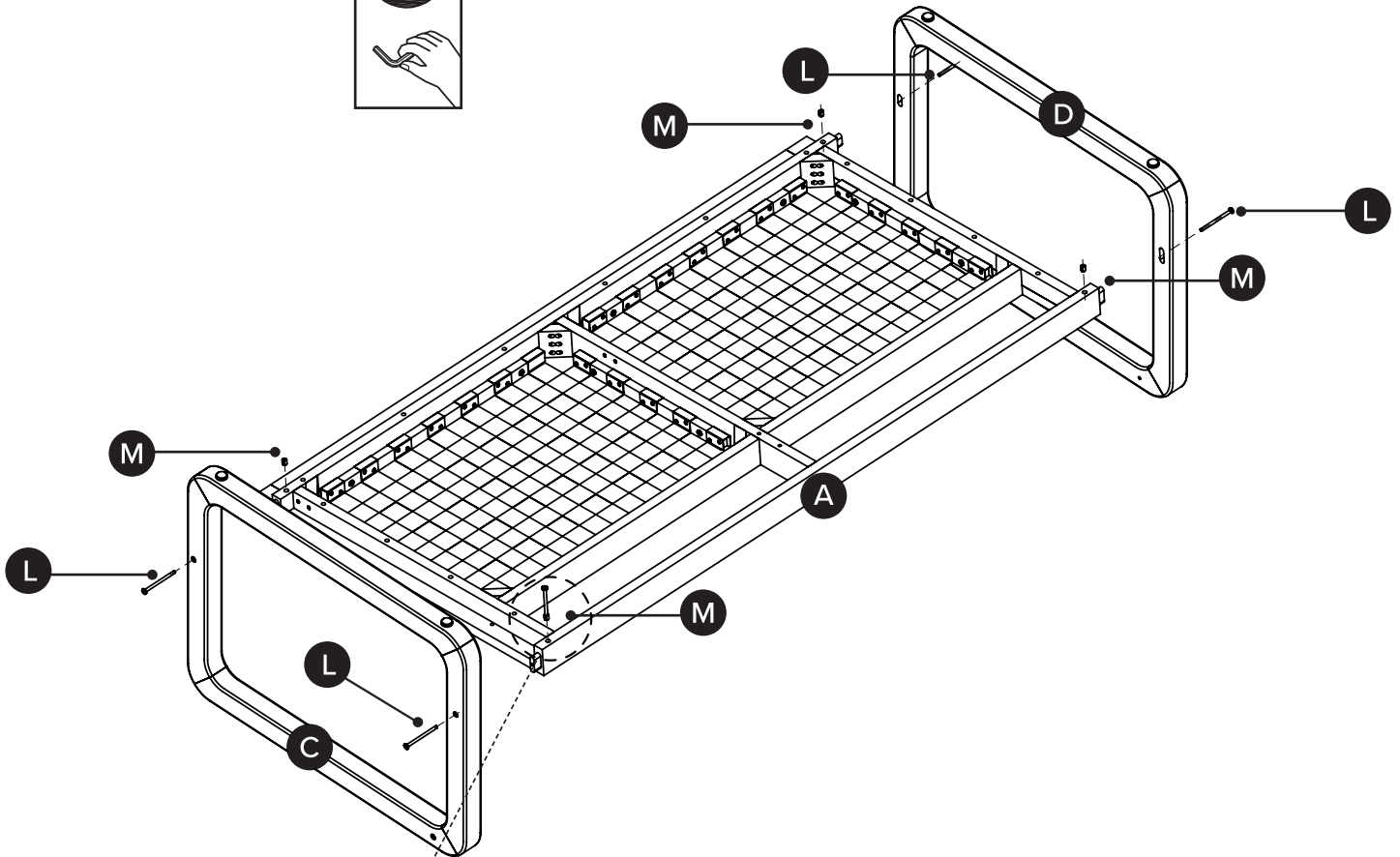
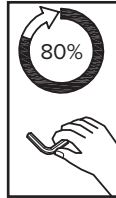
PARTS INVENTORY			
ID	DESCRIPTION		QTY
A	BASE		1
B	BACK FRAME		1
C	RIGHT ARM		1
D	LEFT ARM		1
E	CENTER LEG		1
F	SEAT CUSHION		2
G	BACK CUSHION		2
H	SIDE CUSHION		2

TOOLS INVENTORY			
ID	DESCRIPTION		QTY
I	ALLEN KEY		1

HARDWARE INVENTORY			
ID	DESCRIPTION		QTY
J	M6 x 40MM BOLT		4
K	M6 x 70MM BOLT		3
L	M6 x 90MM BOLT		6
M	NUT		4

1

! Do not completely tighten bolts.



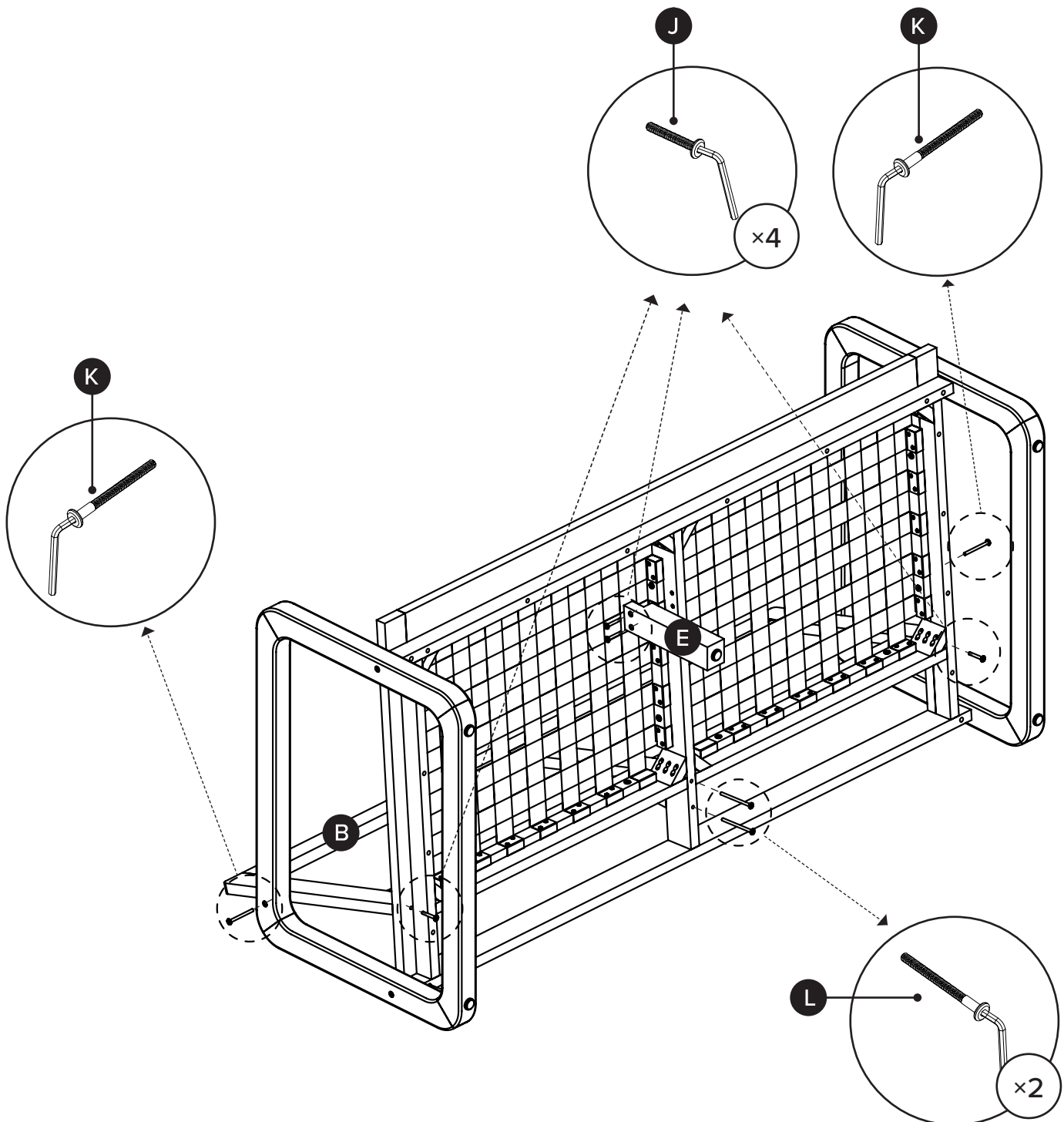
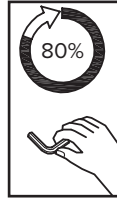
! Note: use bolt (K) as a tool to insert temporarily and hold nut (M) to holes underneath the seat, while connecting bolt (L) to nut (M).

Nut (M) has to turn toward the right direction to connect with bolt (L).

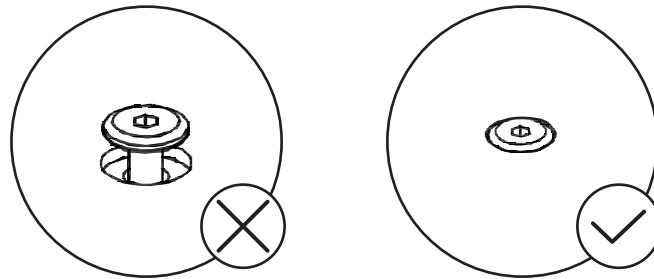
Remove bolt (K) after nut (M) is completely attached to bolt (L).

2

! Do not completely tighten bolts.



3

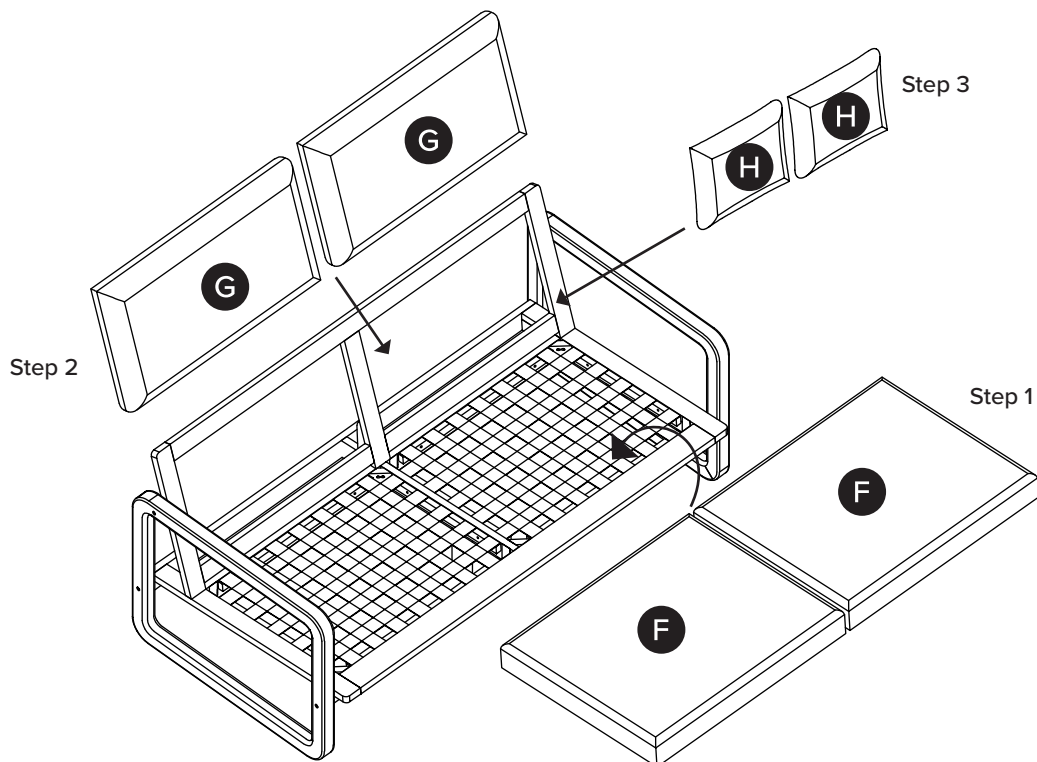


! Once all bolts are placed, completely tighten



4

Put on cushions



5

Product is ready for use.

