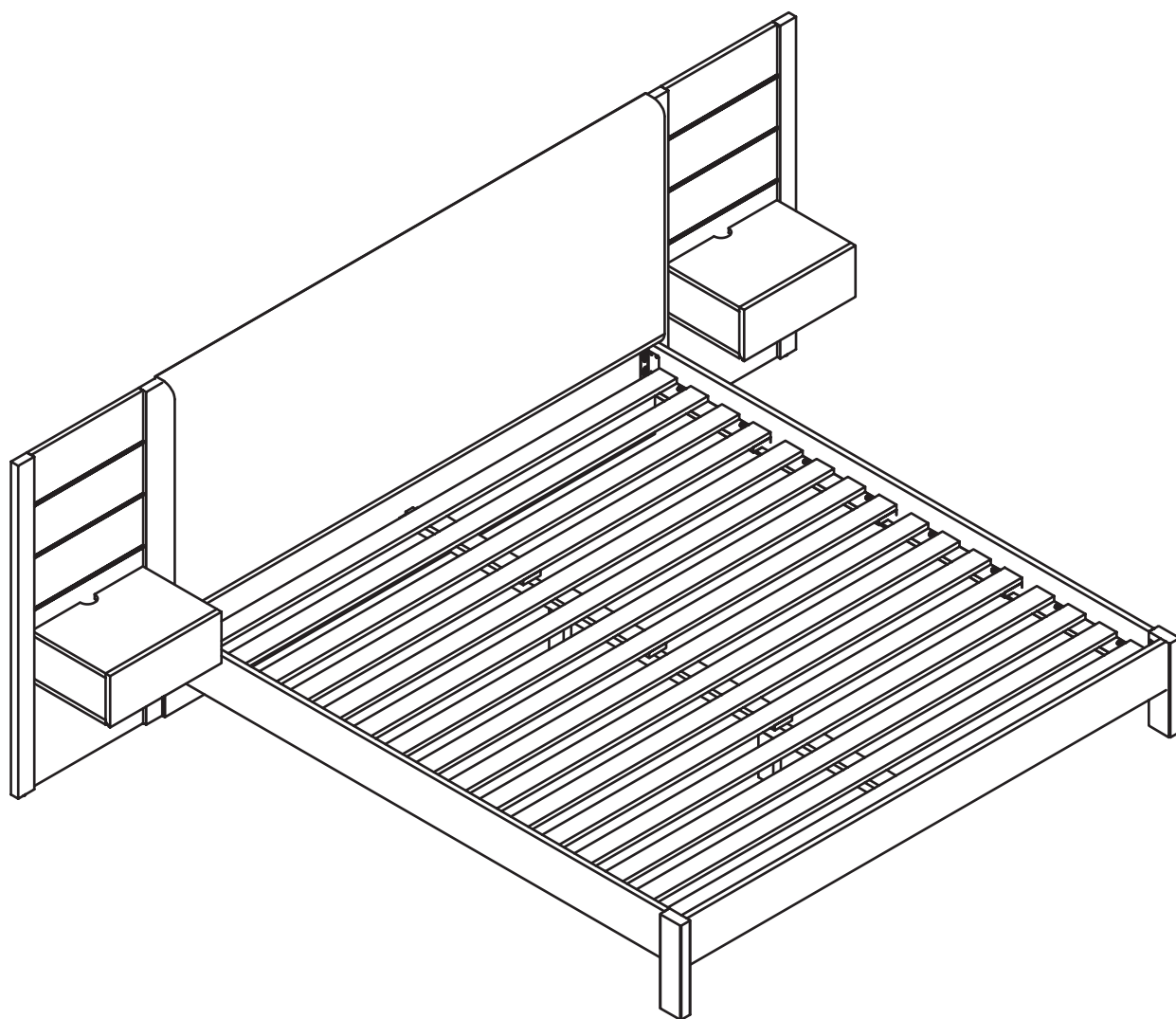


ARTICLE.

VERSION 1.1

Assembly Instructions



CASSIE

Bed

ASSEMBLY INSTRUCTIONS

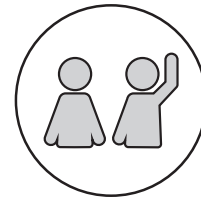
Read these instructions carefully and keep for future reference. Refer to parts inventory for guidance, and ensure you have all pieces before starting.

When assembling, place all parts on a soft, clean, and flat surface such as a carpet to prevent scratches.

If you're having difficulty, our friendly Customer Care team is always here to help. Call us at 1.888.746.3455 during business hours, email service@article.com or chat live at article.com.



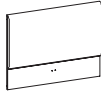









TIME






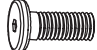


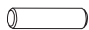



OF PEOPLE



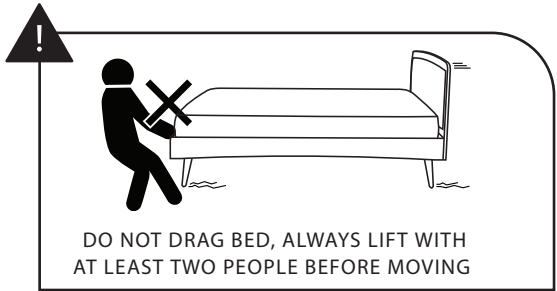
DIFFICULTY

PARTS INVENTORY CONT.			
ID	DESCRIPTION		QTY
1	HEADBOARD		1
2	SIDE RAIL (LEFT)		1
3	SIDE RAIL (RIGHT)		1
4	FOOTBOARD		1
5	CENTER BEAM METAL BRACKETS		2
6	CENTER BEAM		1
7	CENTER LEG		2
8	SLATS		4
9	SIDE HEADBOARD (LEFT)		1
10	SIDE HEADBOARD (RIGHT)		1
11	SIDE HEADBOARD BACK SUPPORT RAILS		4
12	NIGHTSTANDS		2

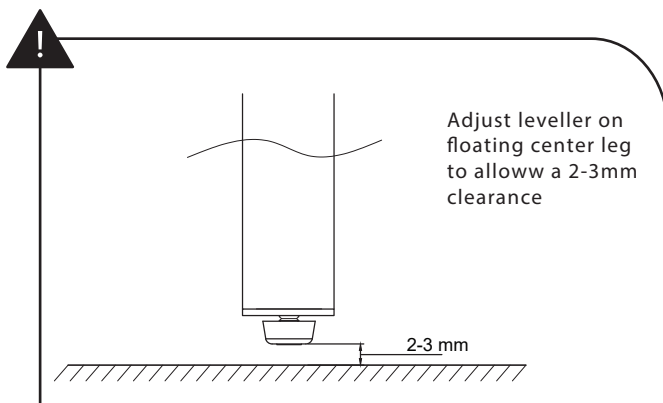
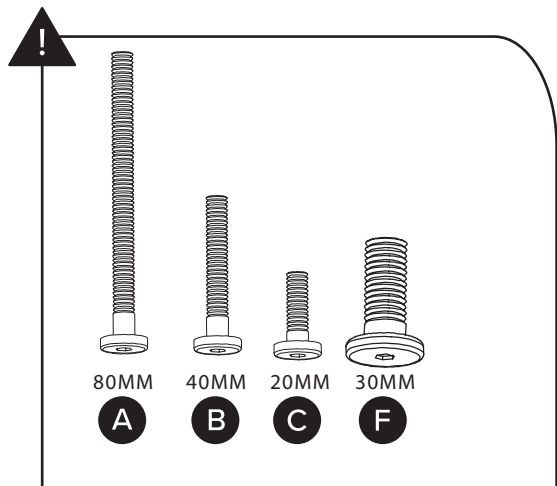
PARTS INVENTORY			
ID	DESCRIPTION		QTY
A	M6 × 80MM BOLT		10
B	M6 × 40MM BOLT		24
C	M6 × 20MM BOLT		6
D	M6.5 LOCK WASHER		36
E	M6.5 WASHER		36
F	M8 × 30MM BOLT		28
G	M8.5 LOCK WASHER		28
H	M8.5 WASHER		28
I	WOODEN DOWEL		4
J	ALLEN KEY		2



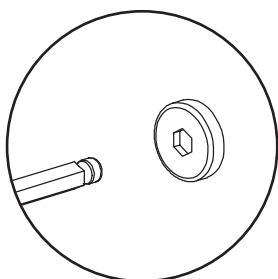
! Structural integrity is warranted only if all fasteners are properly installed & tightened, and the bed is moved only per instructions.



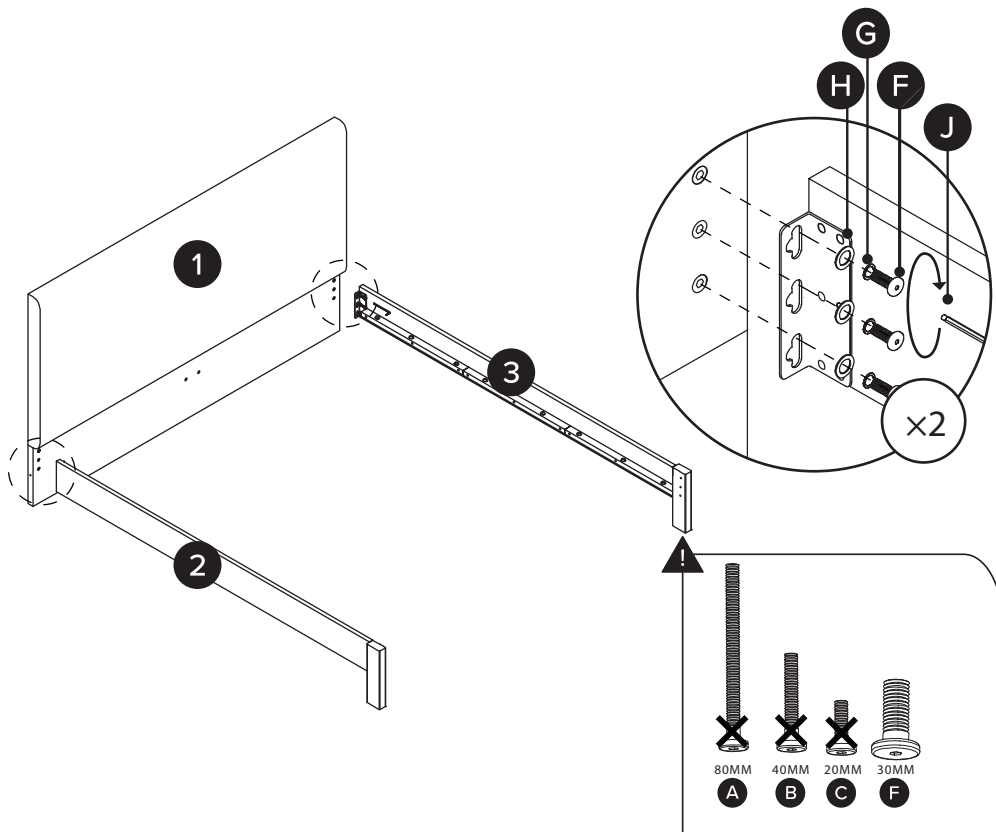
! Please ensure products are laid on a smooth and soft surface while assembling in order to avoid unexpected scratches and dents.



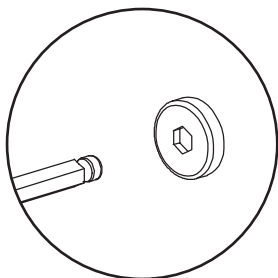
1



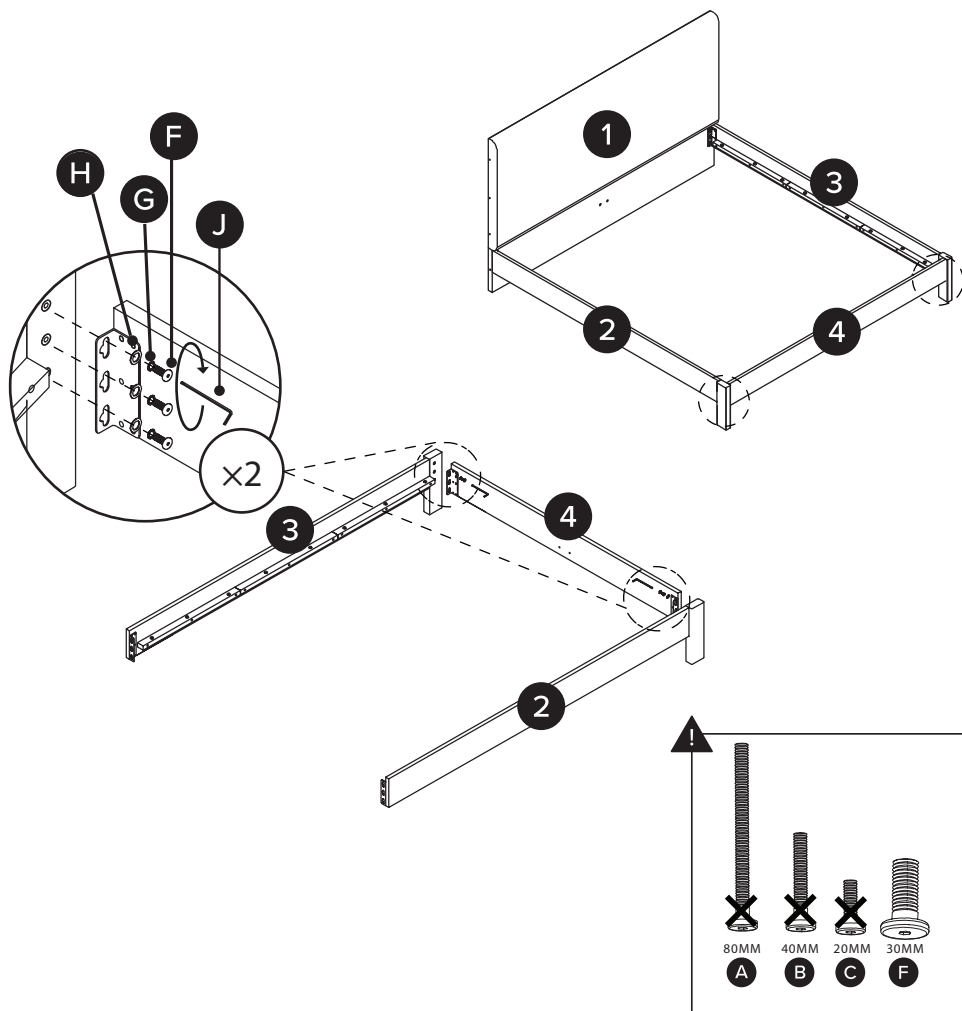
! Using ball head of allen key to wrench the bolt.



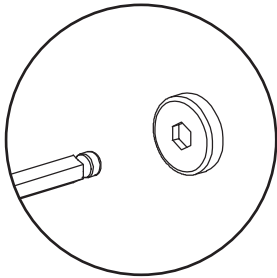
2



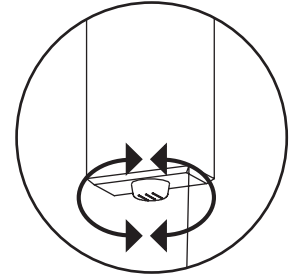
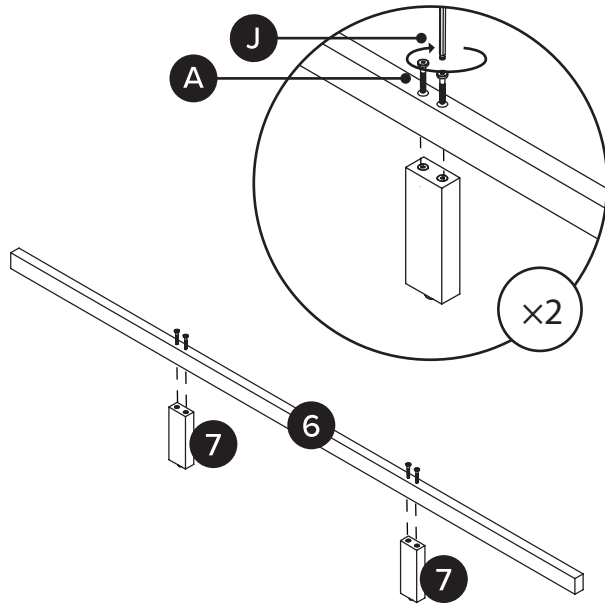
! Using ball head of allen key to wrench the bolt.



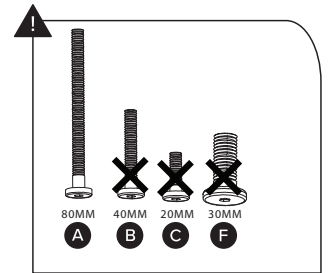
3



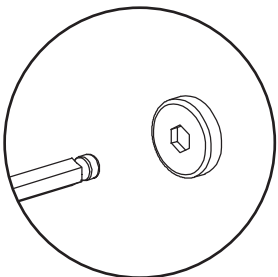
! Using ball head of allen key to wrench the bolt.



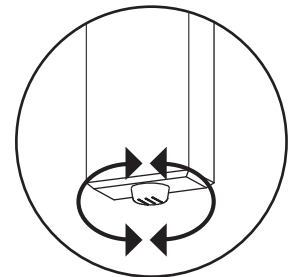
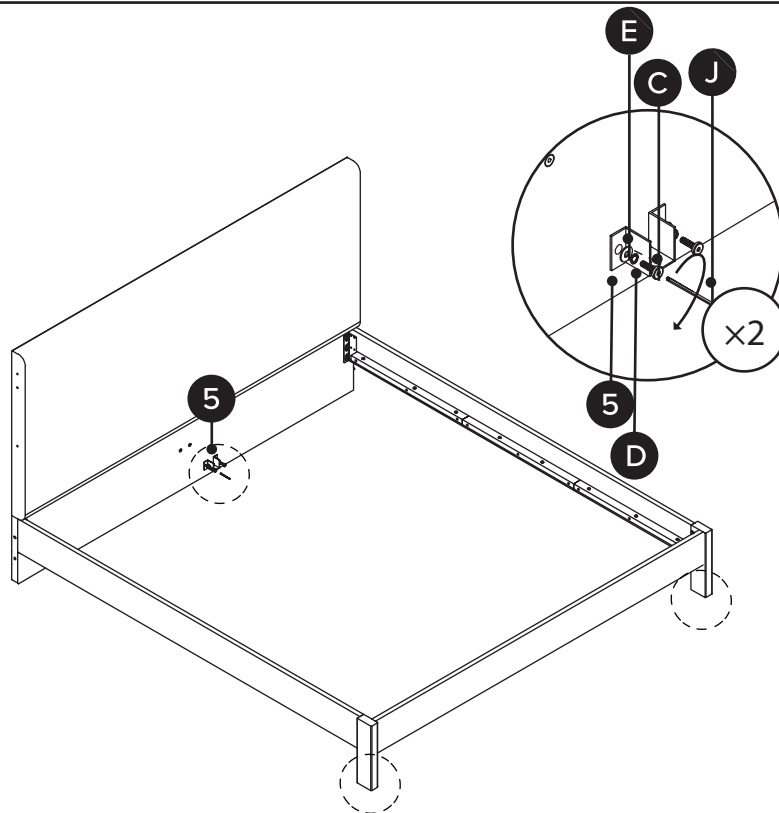
! Adjust levelers as needed.



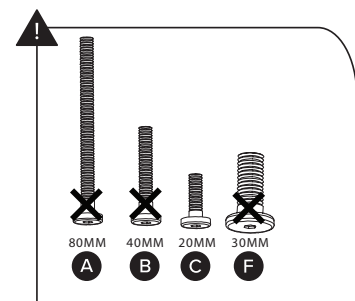
4



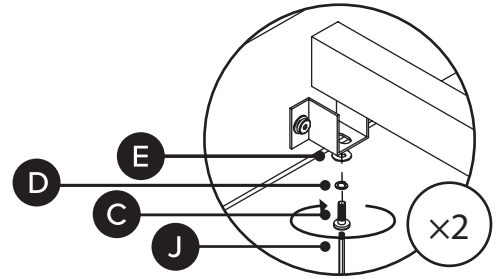
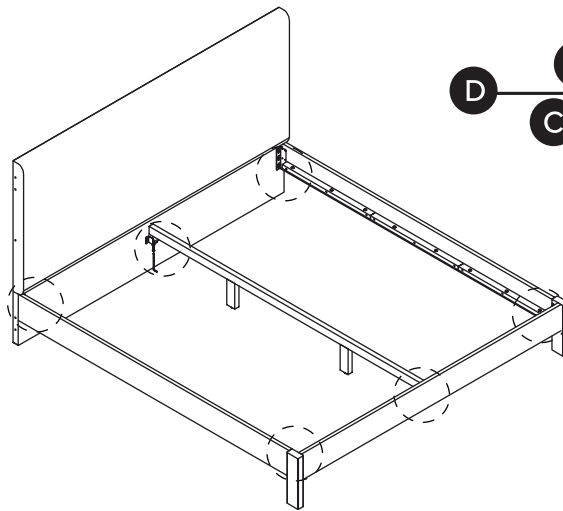
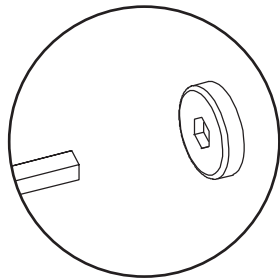
! Using ball head of allen key to wrench the bolt.



! Adjust levelers as needed.

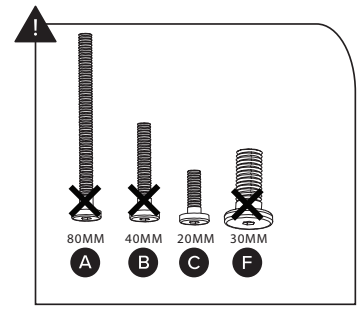


5

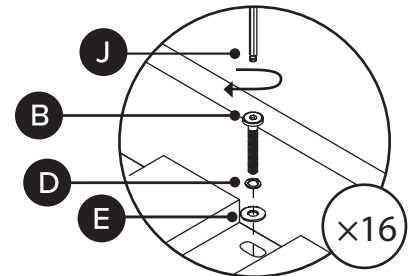
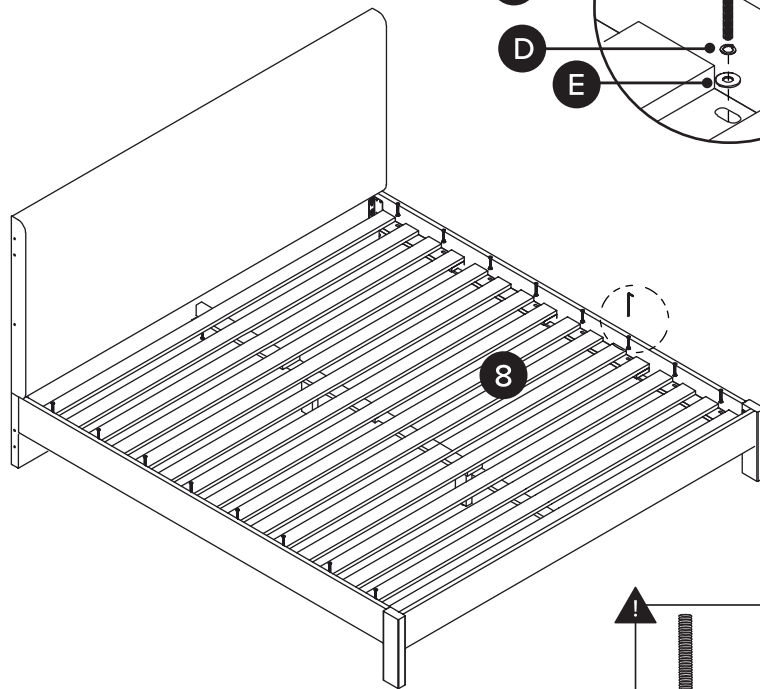
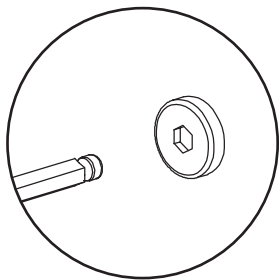


! Using short head of the allen key, fully tighten bolts.

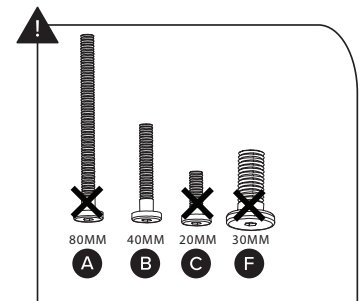
! Tighten all 4 bolts for each corner brackets.



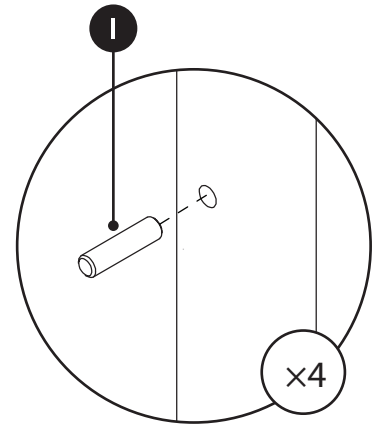
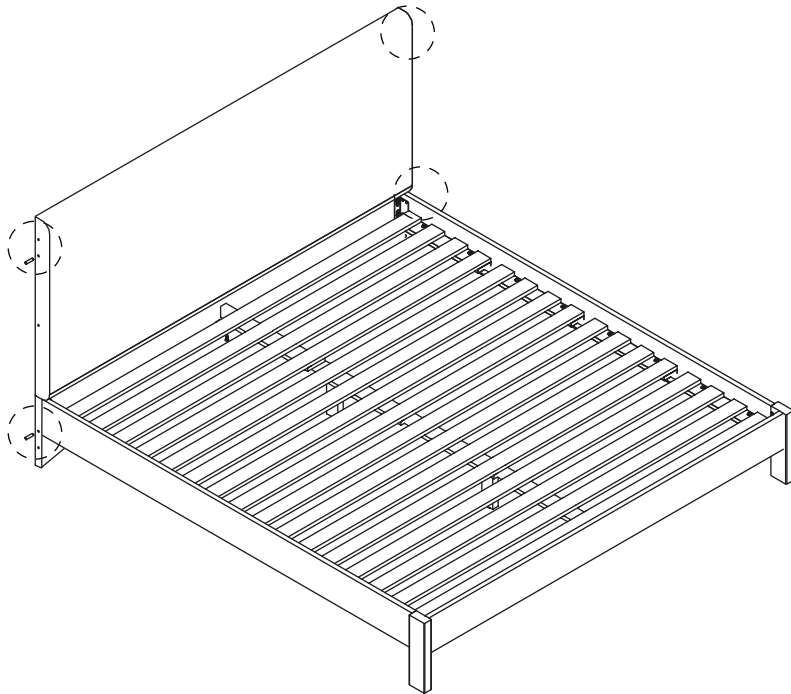
6



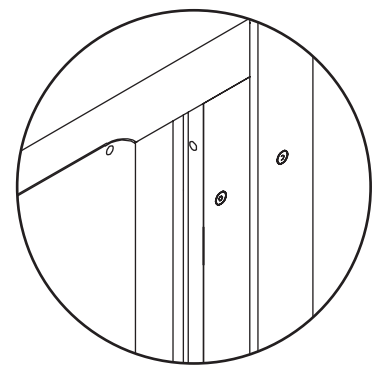
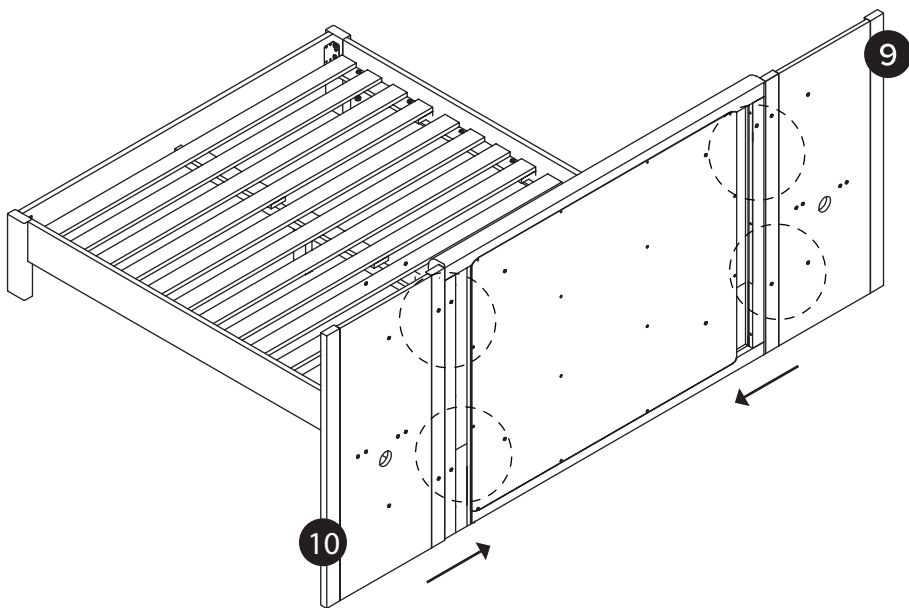
! Using ball head of allen key to wrench the bolt.



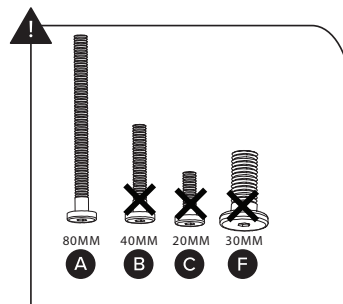
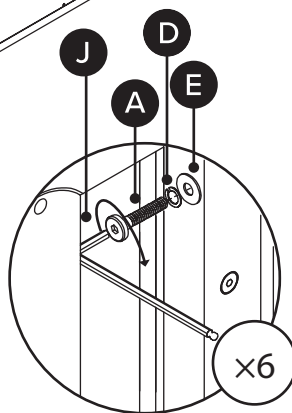
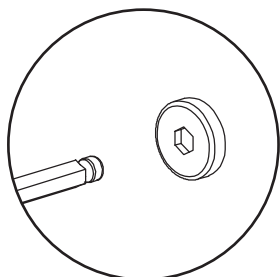
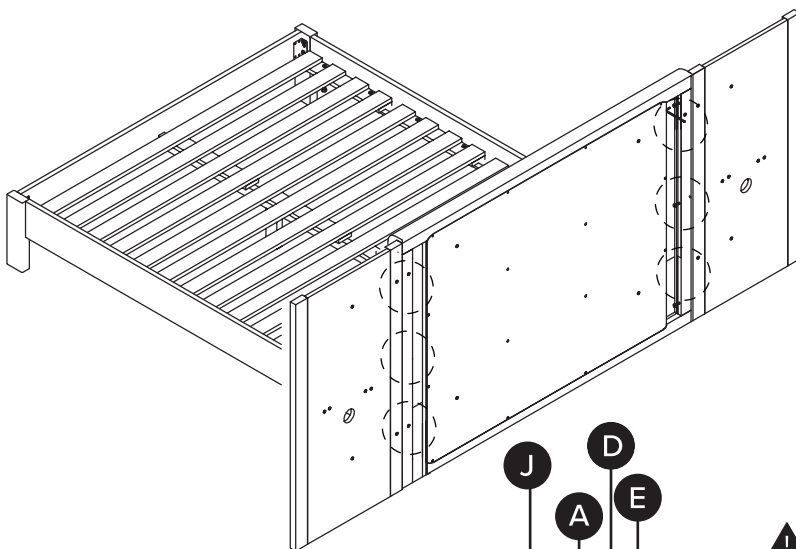
7



8

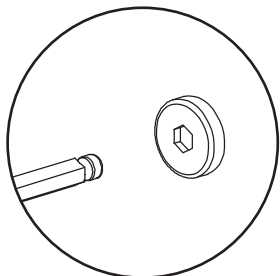
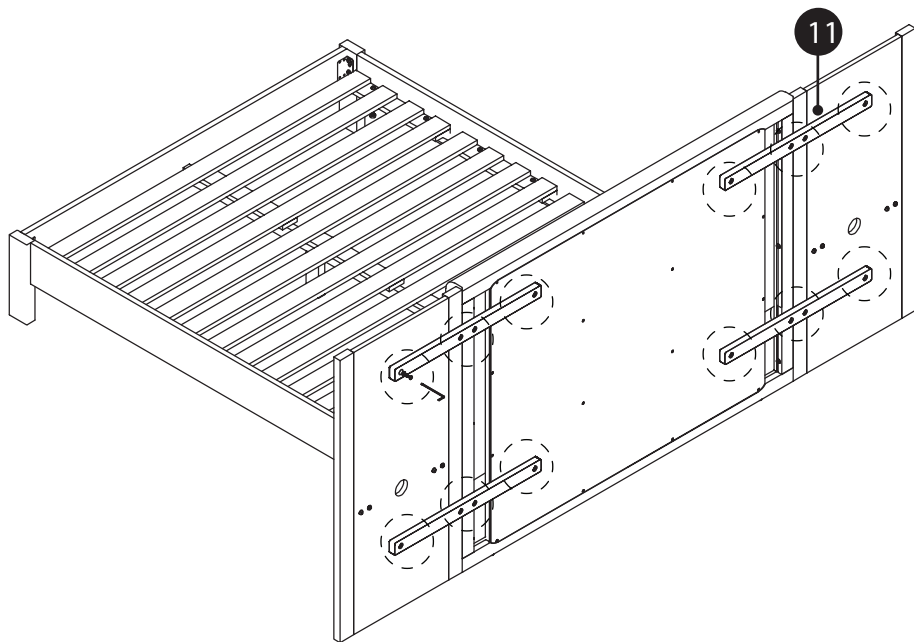


9

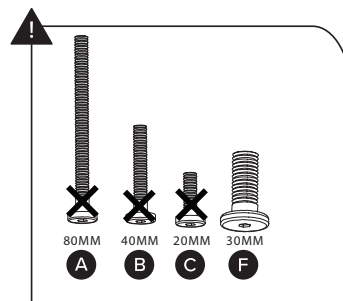
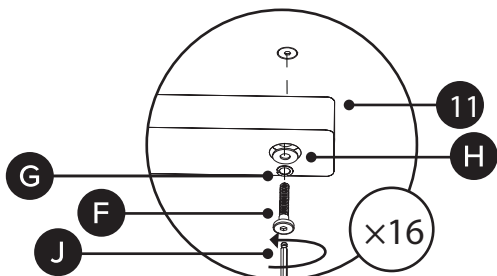


! Using ball head of allen key to wrench the bolt.

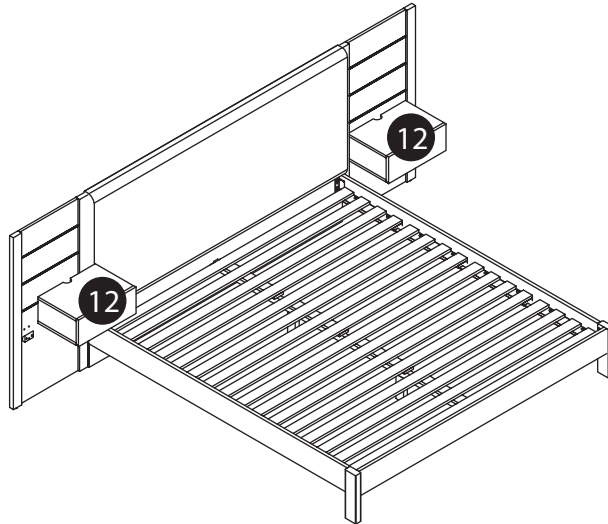
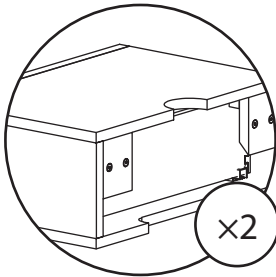
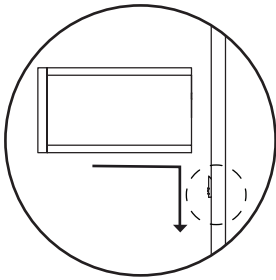
10



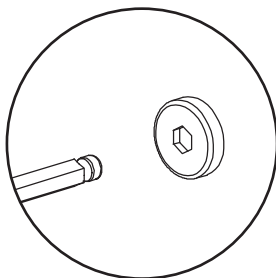
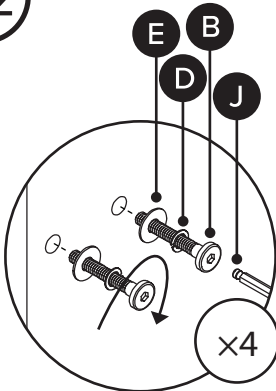
! Using ball head of allen key to wrench the bolt.



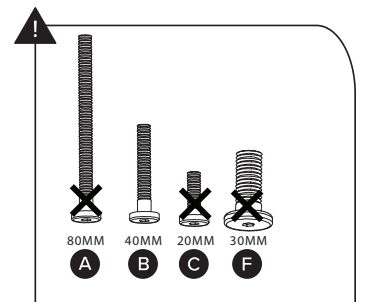
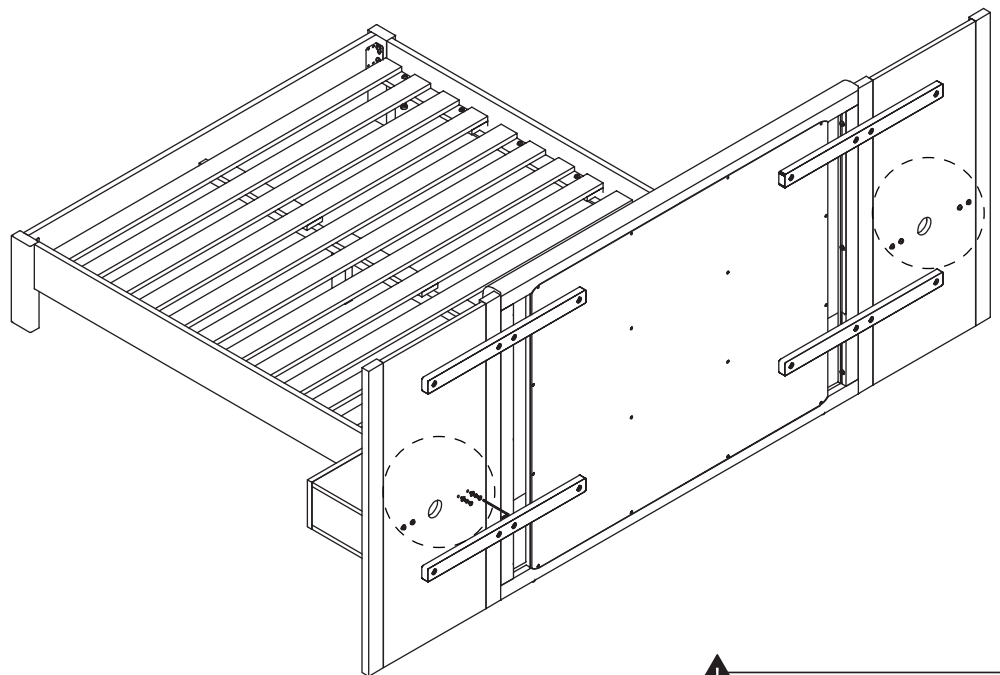
11



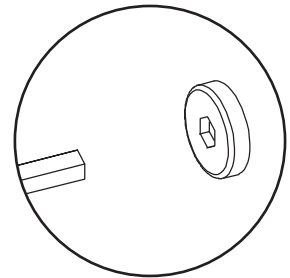
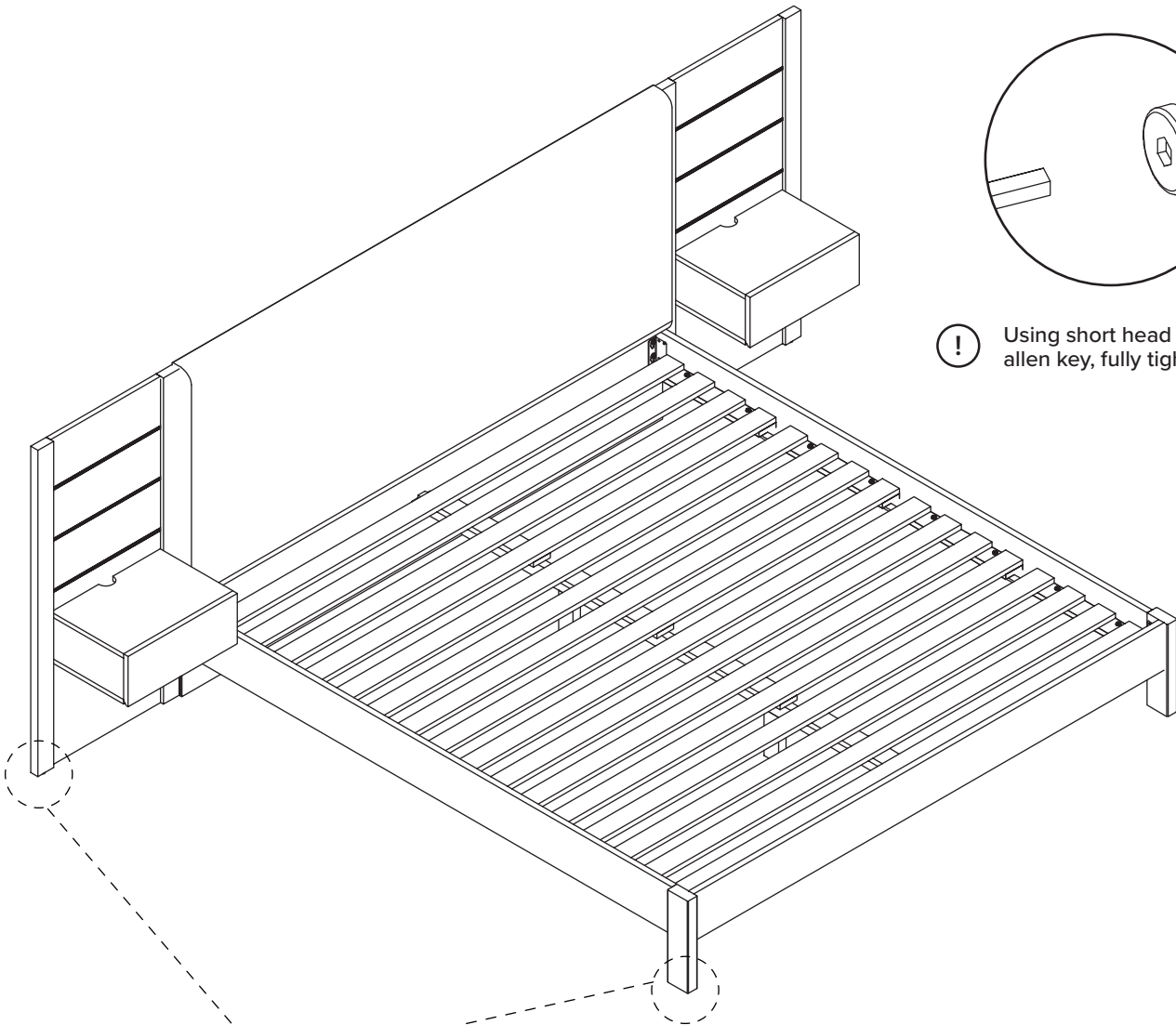
12



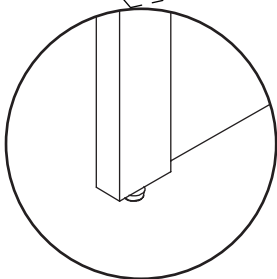
! Using ball head of allen key to wrench the bolt.



13



! Using short head of the allen key, fully tighten bolts.



! Adjust levelers as needed.

