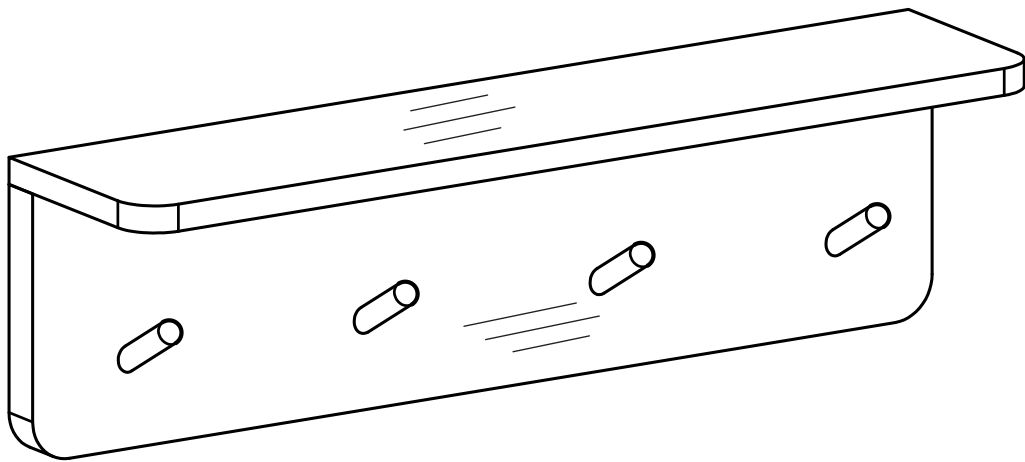


ARTICLE.

VERSION 1.0

Assembly Instructions



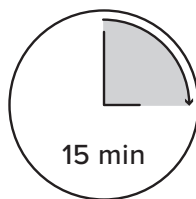
Williams Shelf

ASSEMBLY INSTRUCTIONS

Read these instructions carefully and keep for future reference. Refer to parts inventory for guidance, and ensure you have all pieces before starting.

When assembling, place all parts on a soft, clean, and flat surface such as a carpet to prevent scratches.

If you're having difficulty, our friendly Customer Care team is always here to help. Call us at **1.888.746.3455** during business hours, email service@article.com or chat live at article.com.

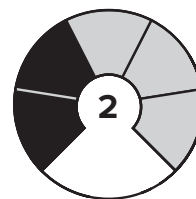


15 min

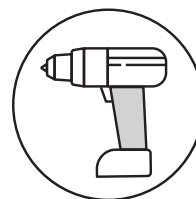
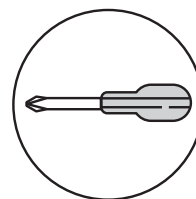
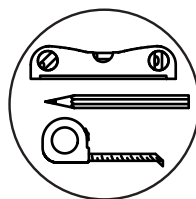
TIME



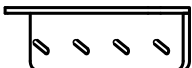
OF PEOPLE






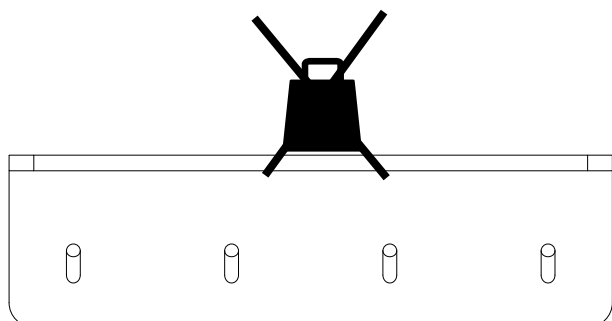
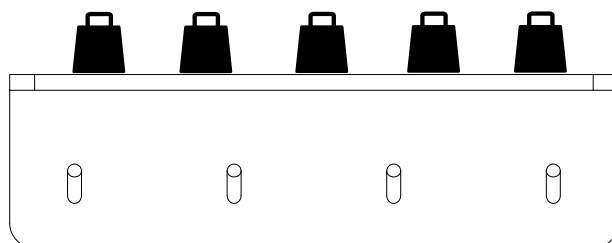
DIFFICULTY




REQUIRED TOOL

PARTS INVENTORY		
ID	DESCRIPTION	QTY
1	Williams Shelf 	1

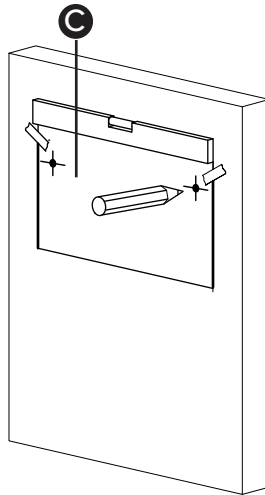
HARDWARE LIST		
ID	DESCRIPTION	QTY
A	PLASTIC WALL ANCHOR M8 x 40 MM 	2
B	M5 x 40MM SCREW 	2
C	PAPER JIG 	1



 Attention: Maximum load on this shelf is 44 lbs

1

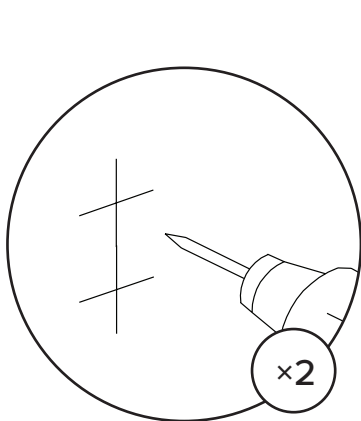
Use a paper jig and water level to mark the spots for drilling holes on the wall.



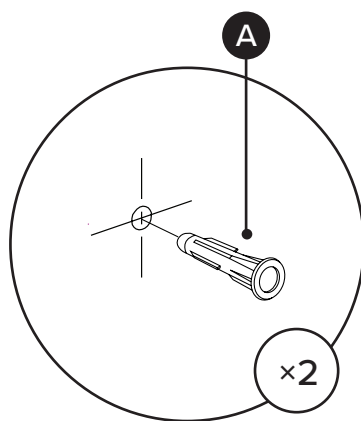
2

! Drill hole into brick wall, insert anchor (A) and attach screw (B) to wall.

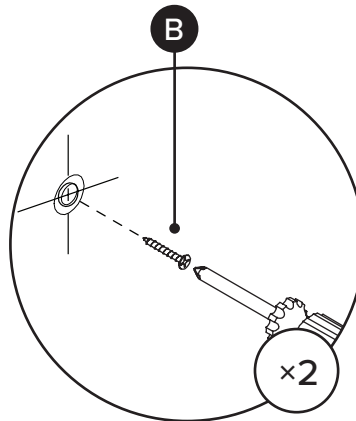
! Anchor and screw here only using on wall material brick wall.



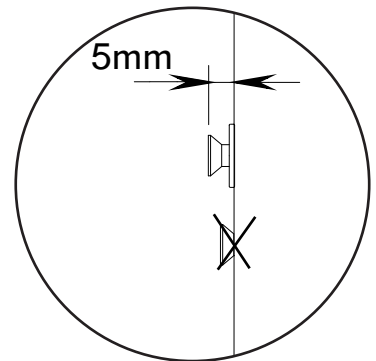
HOLE
Drill hole in wall with drill bit 8mm



ANCHOR
! Note for this step use a hammer to insert anchor (A) to brick wall.



SCREW M5x40mm



3

! Hang the shelf on the wall. Ensure that shelf can not slide left or right.

