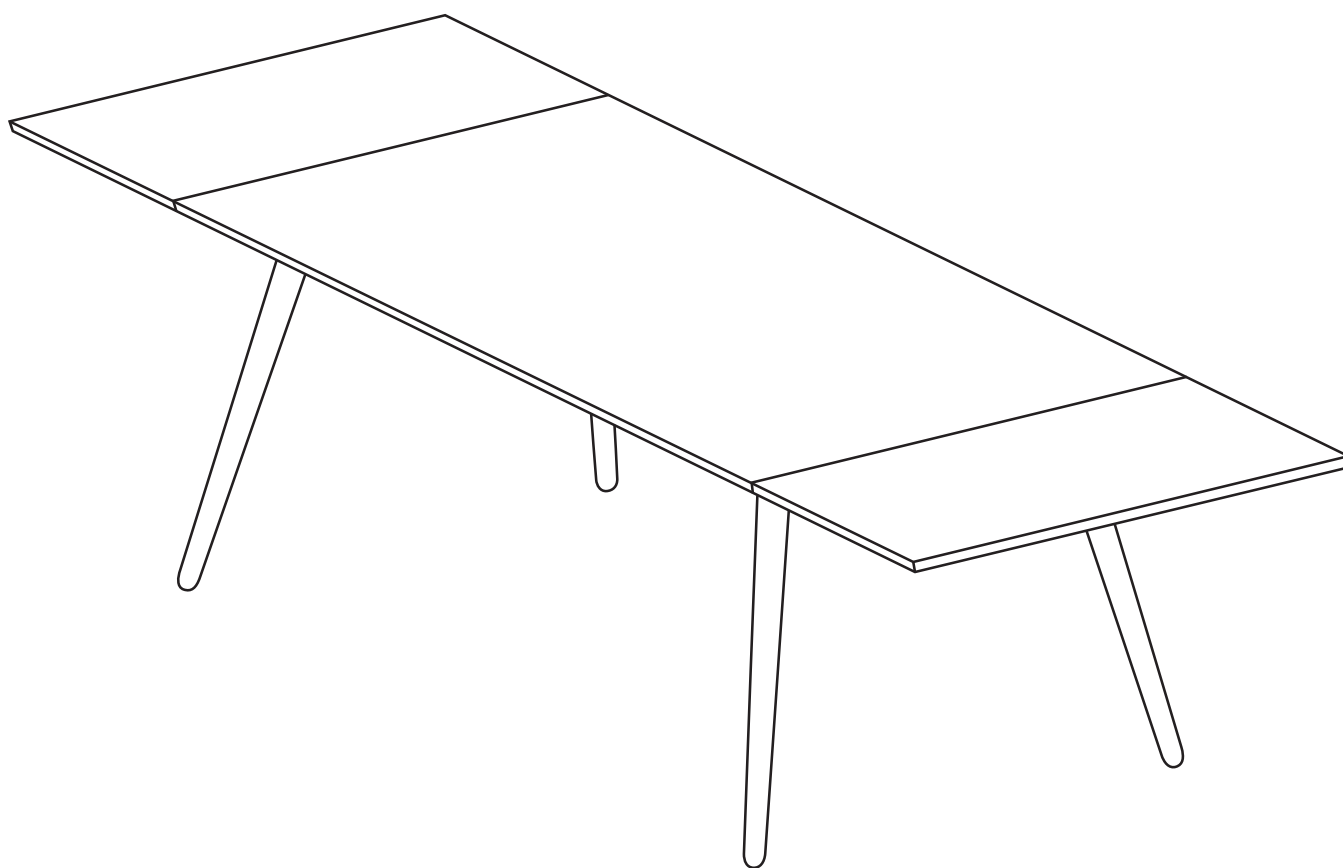


# ARTICLE.

VERSION 1.2

## Assembly Instructions



# SENO

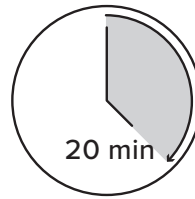
Extendable Dining Table

## ASSEMBLY INSTRUCTIONS

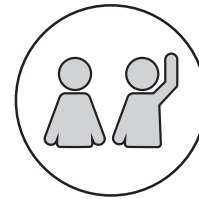
Read these instructions carefully and keep for future reference. Refer to parts inventory for guidance, and ensure you have all pieces before starting.

When assembling, place all parts on a soft, clean, and flat surface such as a carpet to prevent scratches.

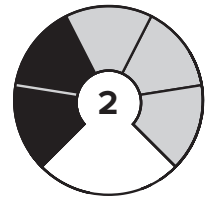
If you're having difficulty, our friendly Customer Care team is always here to help. Call us at **1.888.746.3455** during business hours, email [service@article.com](mailto:service@article.com) or chat live at [article.com](https://www.article.com).



TIME



# OF PEOPLE

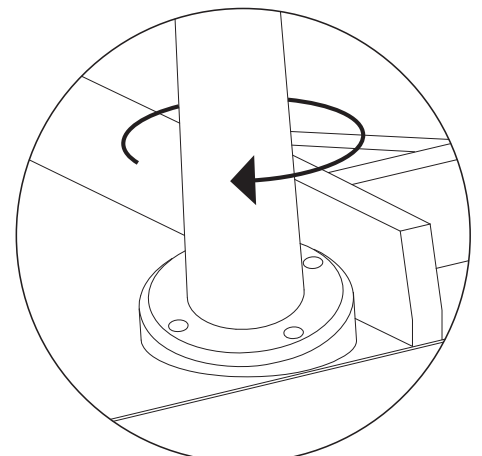
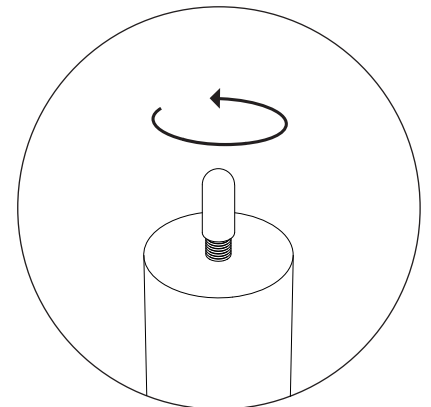
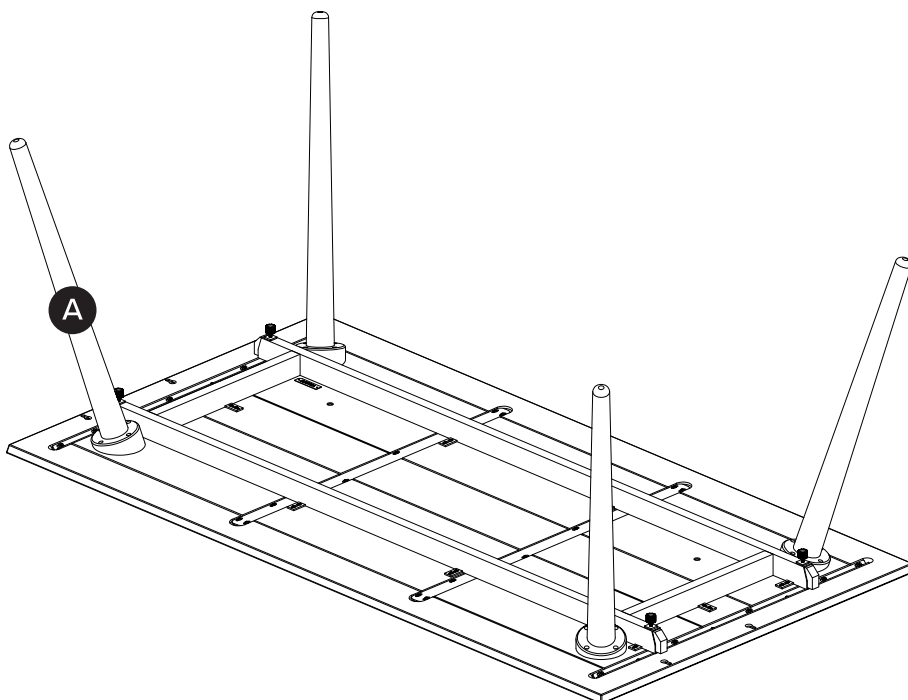


DIFFICULTY

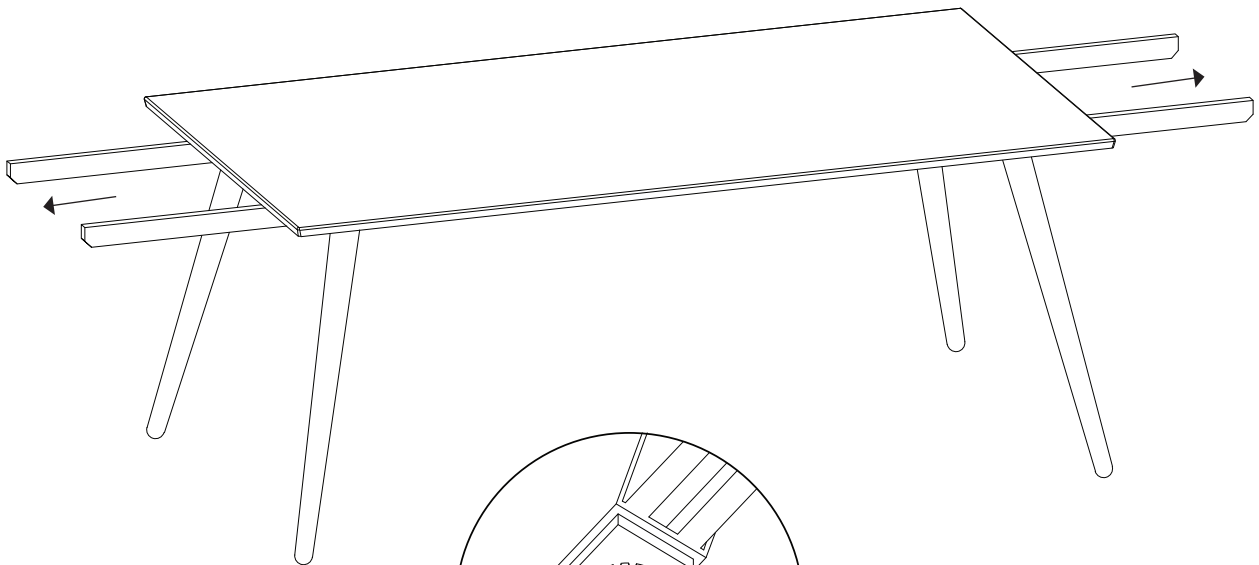
PARTS INVENTORY		
ID	DESCRIPTION	QTY
A	LEG	4
B	EXTENSION LEAF	2

1

! Remove the protection on the leg bolt before assembling

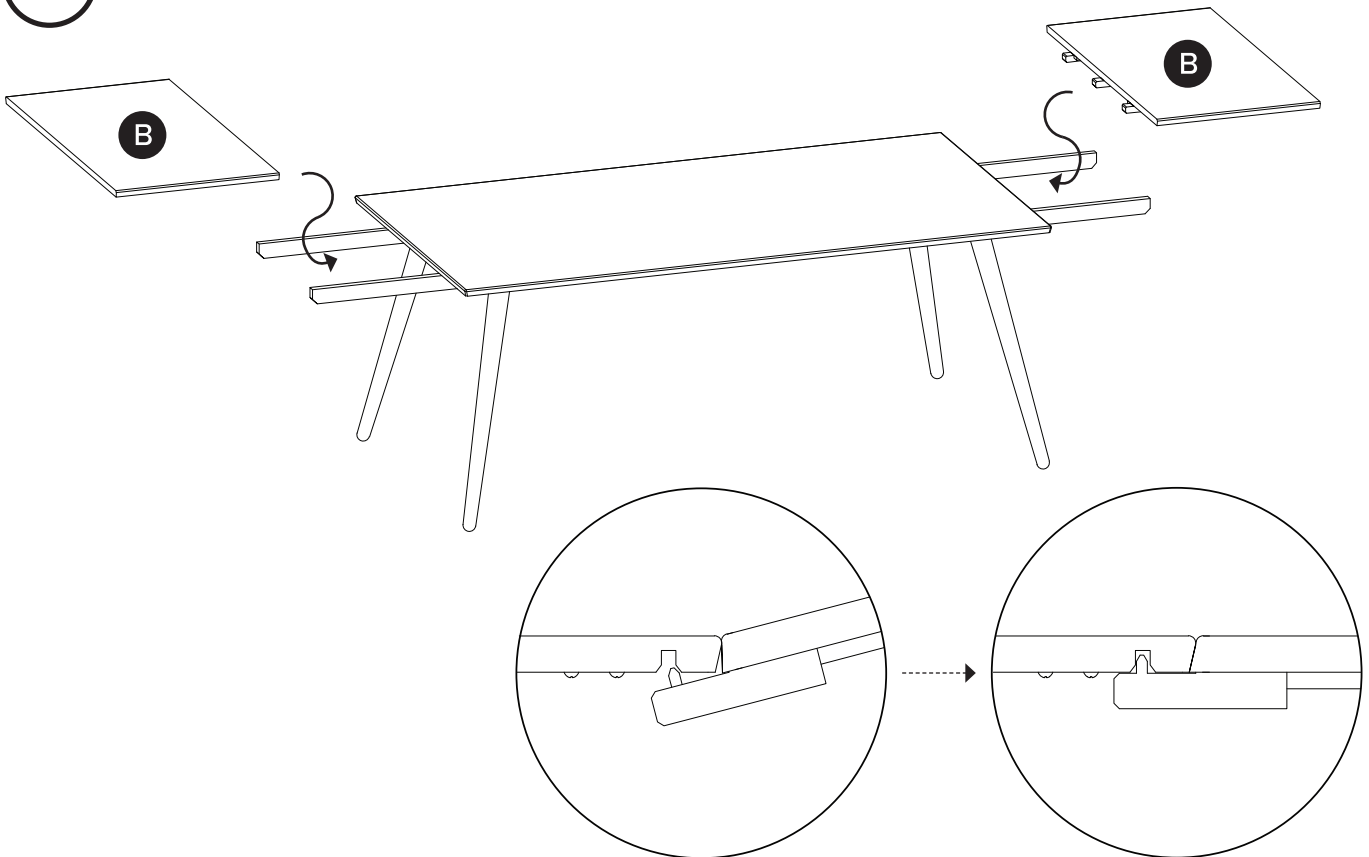


2

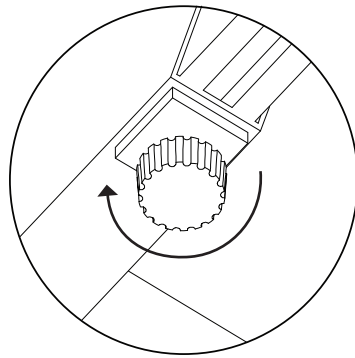


! Unscrew levelers slightly to release extension support bars.

3



4



! Adjust levelers to align extension leaves with table.