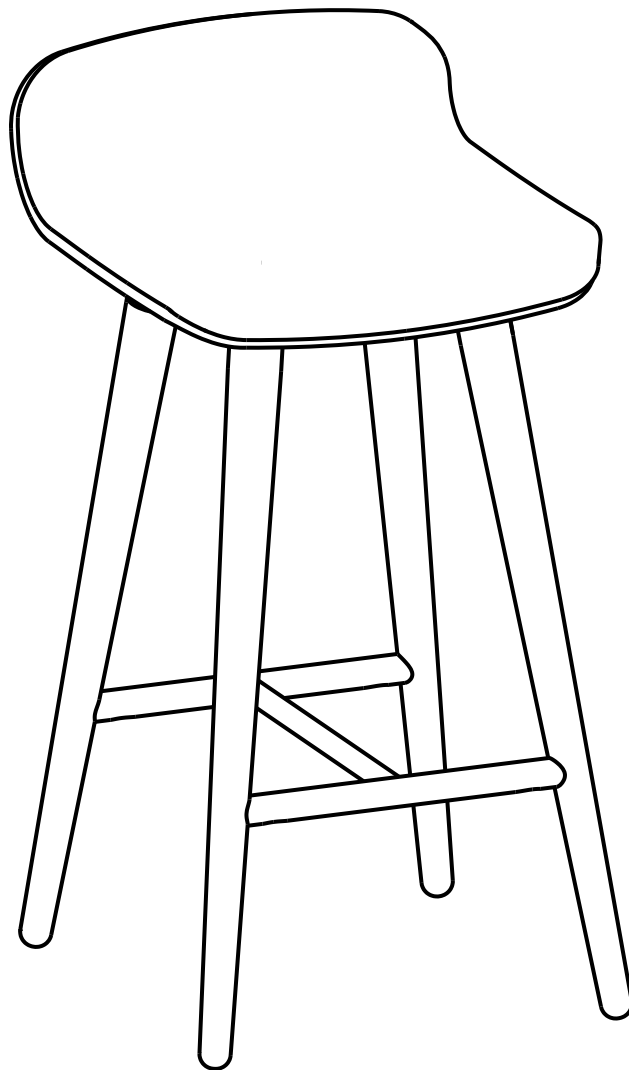


# ARTICLE.

VERSION 1.1

## Assembly Instructions



# SEDE

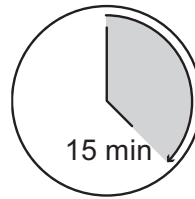
Bar / Counter Stool

## ASSEMBLY INSTRUCTIONS

Read these instructions carefully and keep for future reference. Refer to parts inventory for guidance, and ensure you have all pieces before starting.

When assembling, place all parts on a soft, clean, and flat surface such as a carpet to prevent scratches.

If you're having difficulty, our friendly Customer Care team is always here to help. Call us at **1.888.746.3455** during business hours, email [service@article.com](mailto:service@article.com) or chat live at [article.com](https://www.article.com)

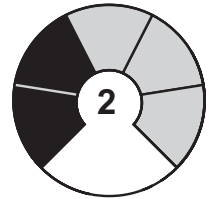


15 min

TIME


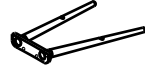
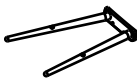








# OF PEOPLE



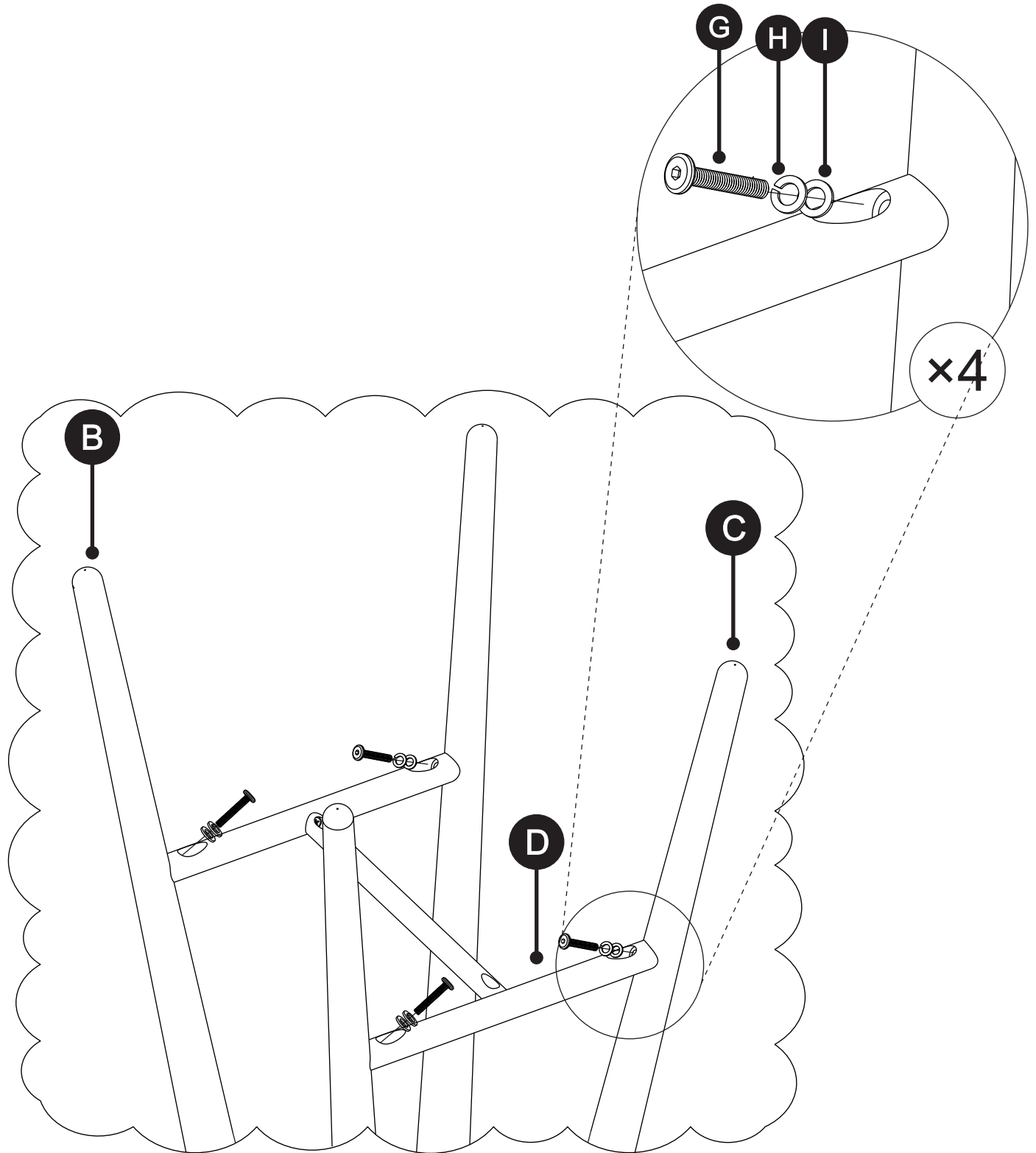
2

DIFFICULTY

PARTS INVENTORY			
ID	DESCRIPTION		QTY
<b>A</b>	CHAIR SEAT		1
<b>B</b>	CHAIR LEG LEFT		1
<b>C</b>	CHAIR LEG RIGHT		1
<b>D</b>	FOOTREST		1
<b>E</b>	ALLEN KEY		1
<b>F</b>	M6 × 30MM BOLT		8
<b>G</b>	M6 × 40MM BOLT		4
<b>H</b>	M6 × 10MM LOCK WASHER		12
<b>I</b>	M6 × 12MM FLAT WASHER		12

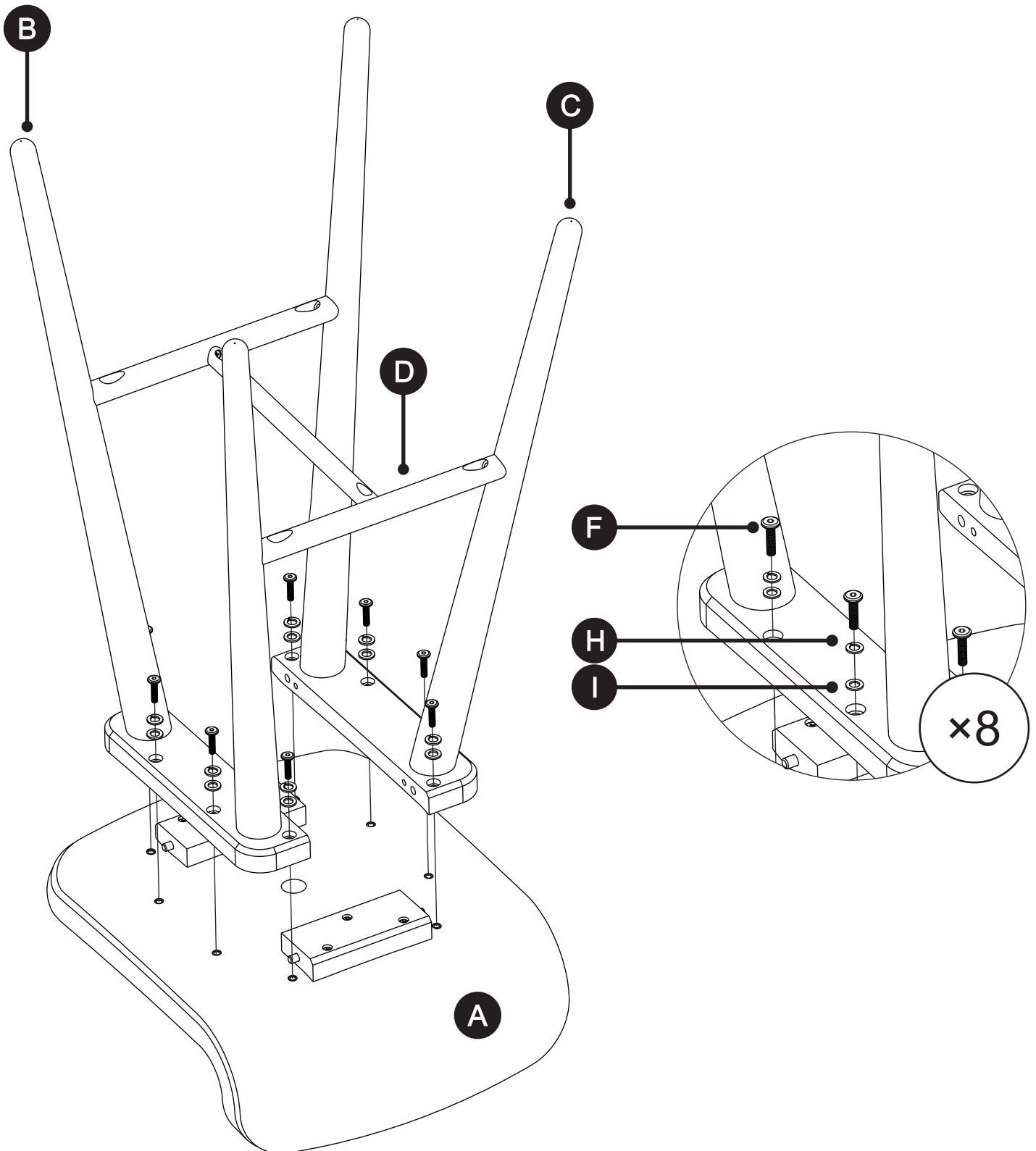
1

Use your hand to attach the Bolt (G) and Washers (H) and (I)

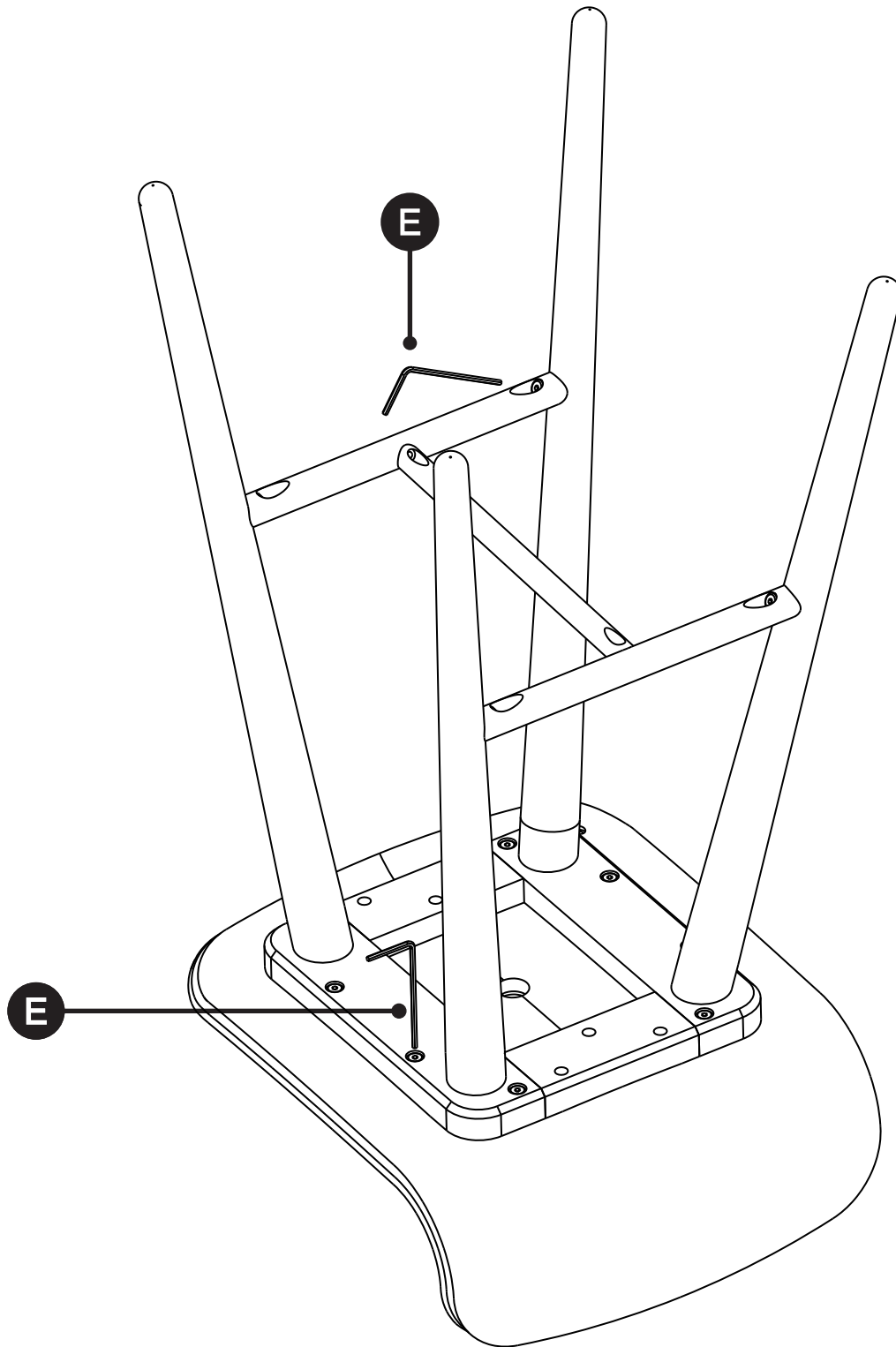



2

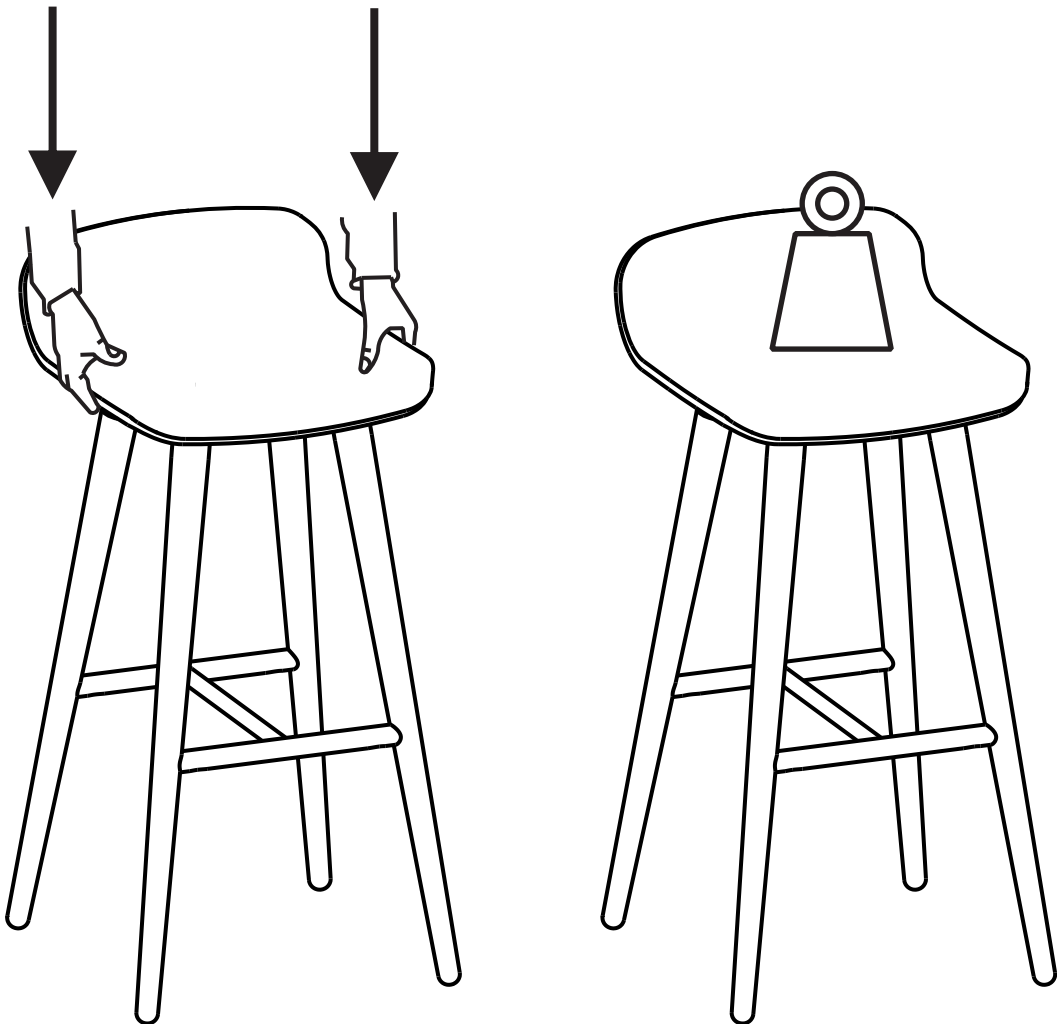
Use your hand to attach the Bolt (F) and Washers (H) and (I)



3

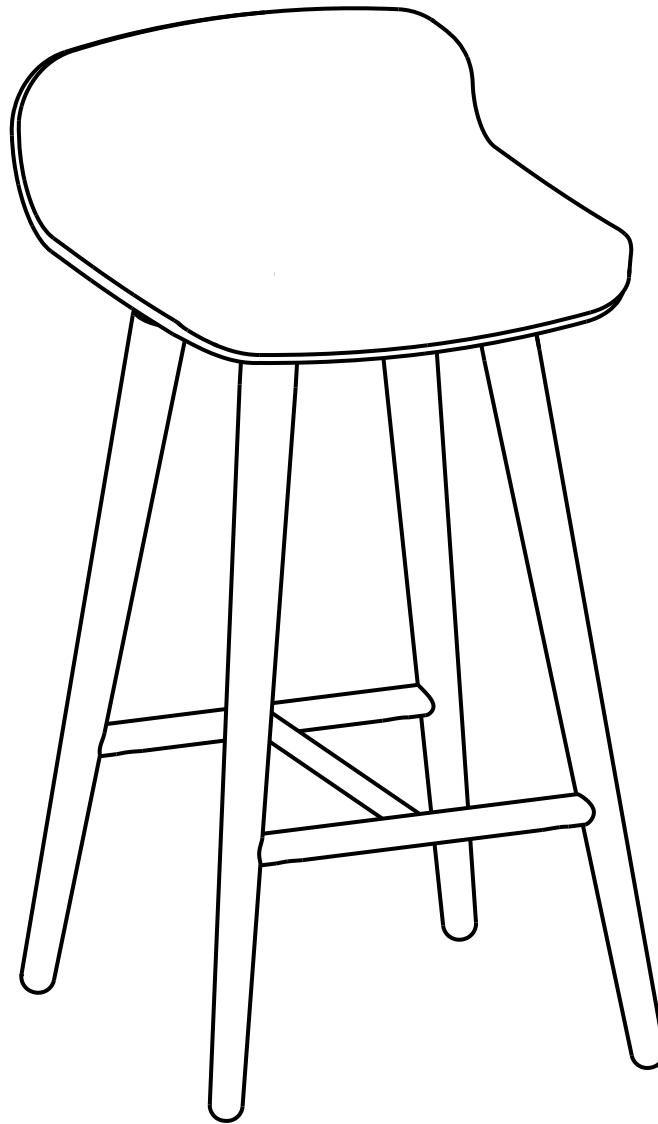


 Use Allen Key (E) to tighten the Bolts (F) and (G) to 80%

**4** — LEG STABILITY

- ⓘ To ensure all 4 legs are flat with the floor please place a weight on the seat or manually push downwards until the 4 legs are flat with the floor before tighten all screws 100%

5



! Use Allen Key (E) to tighten the Bolts (F) and (G) 100%

**IMPORTANT !**

It is important that all bolts are re-tightened 2 weeks after assembly and once every 2 months in order to assure stability through-out the lifespan of this product.