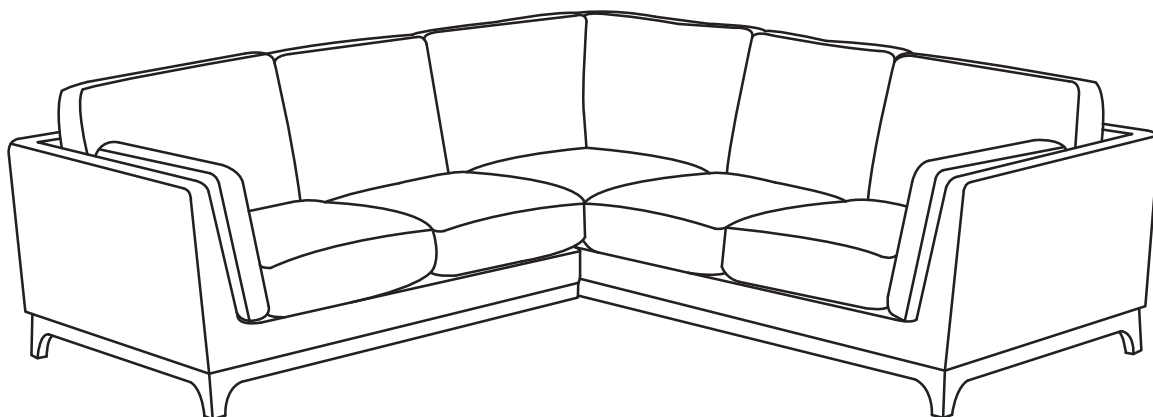


ARTICLE.

VERSION 1.2

Assembly Instructions



CENI

Corner Sectional Sofa

ASSEMBLY INSTRUCTIONS

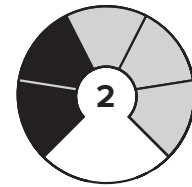
Read these instructions carefully and keep for future reference. Refer to parts inventory for guidance, and ensure you have all pieces before starting.

When assembling, place all parts on a soft, clean, and flat surface such as a carpet to prevent scratches.

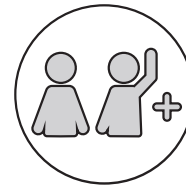
If you're having difficulty, our friendly Customer Care team is always here to help. Call us at **1.888.746.3455** during business hours, email service@article.com or chat live at article.com.









TIME










DIFFICULTY



OF PEOPLE

PARTS INVENTORY		
ID	DESCRIPTION	QTY
A	RIGHT SOFA SECTION	1
B	LEFT SOFA SECTION	1
C	LEG 	7
D	CENTER LEG 	2
E	WASHER 	14
F	LOCK WASHER 	14
G	M8 NUT 	14
H	WRENCH 	2

PARTS INVENTORY CONT.		
ID	DESCRIPTION	QTY
I	LEFT CORNER BACK CUSHION 	1
J	RIGHT CORNER BACK CUSHION 	1
K	CENTER BACK CUSHION 	2
L	SIDE BACK CUSHION 	2
M	SEAT CUSHION 	4
N	SIDE CUSHION 	2
O	CORNER CUSHION 	1

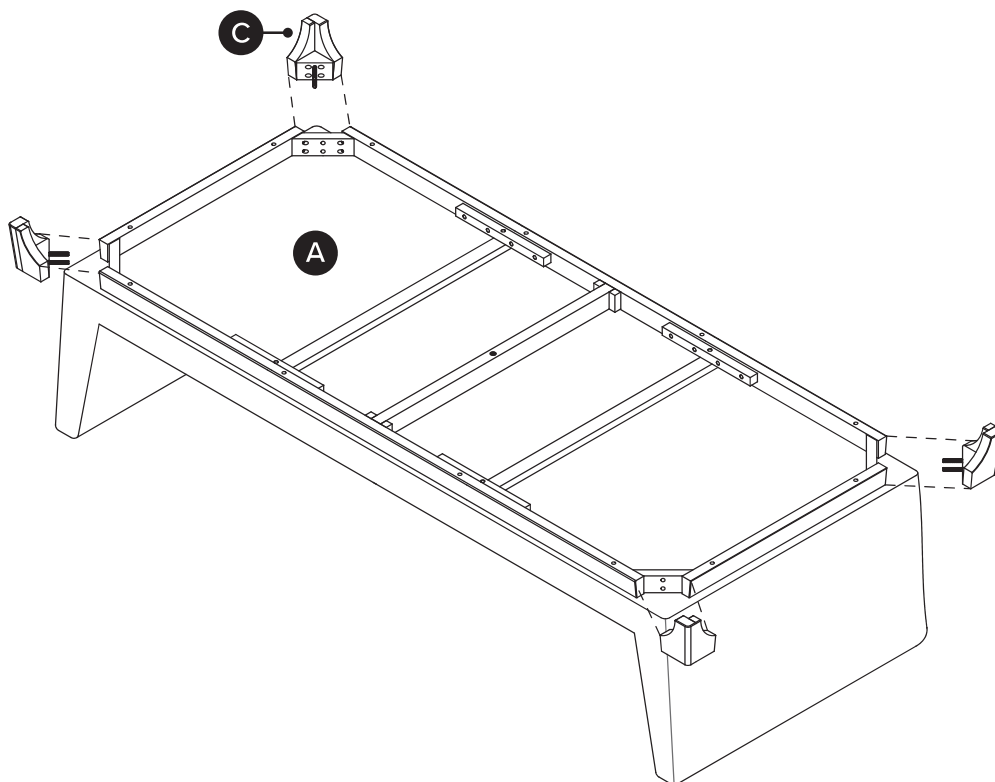
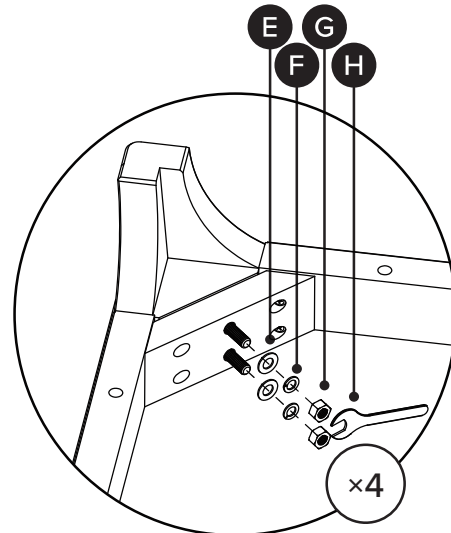
1



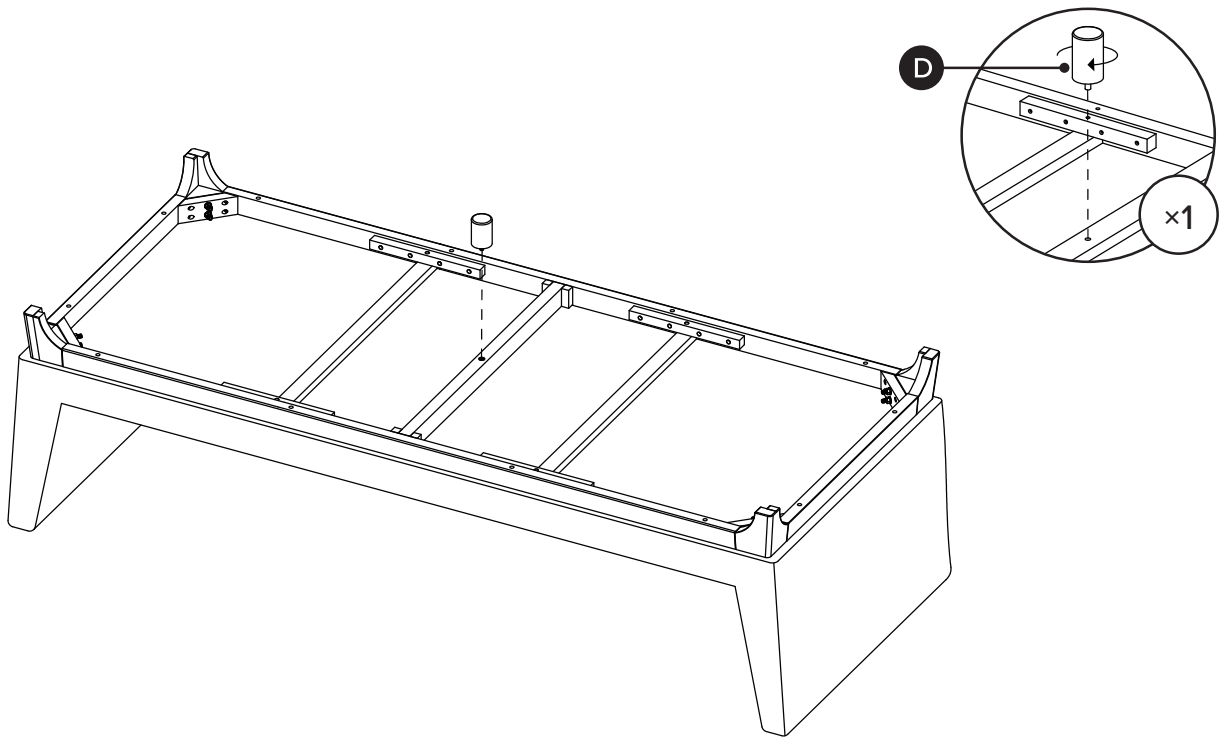
! **Do not fully tighten nuts.** Ensure all 4 legs are tightened by 85%.



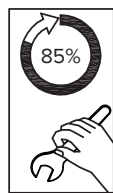
! Once all nuts are in place, fully tighten all nuts on leg frames before turning chair upright.



2



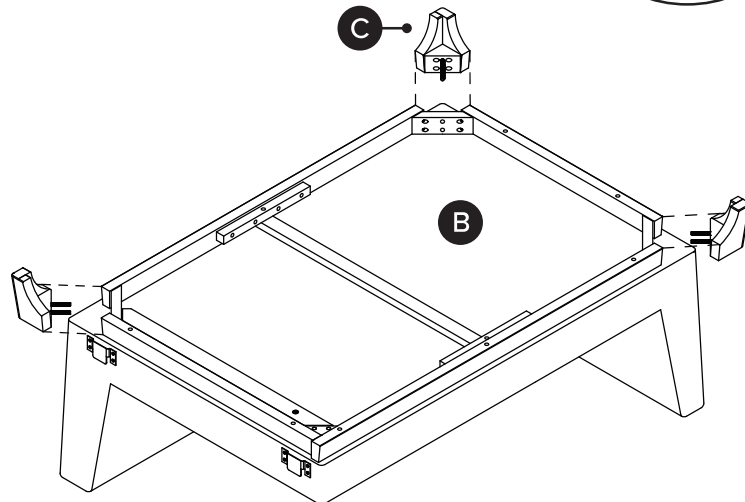
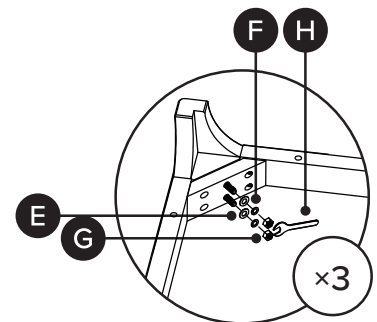
3



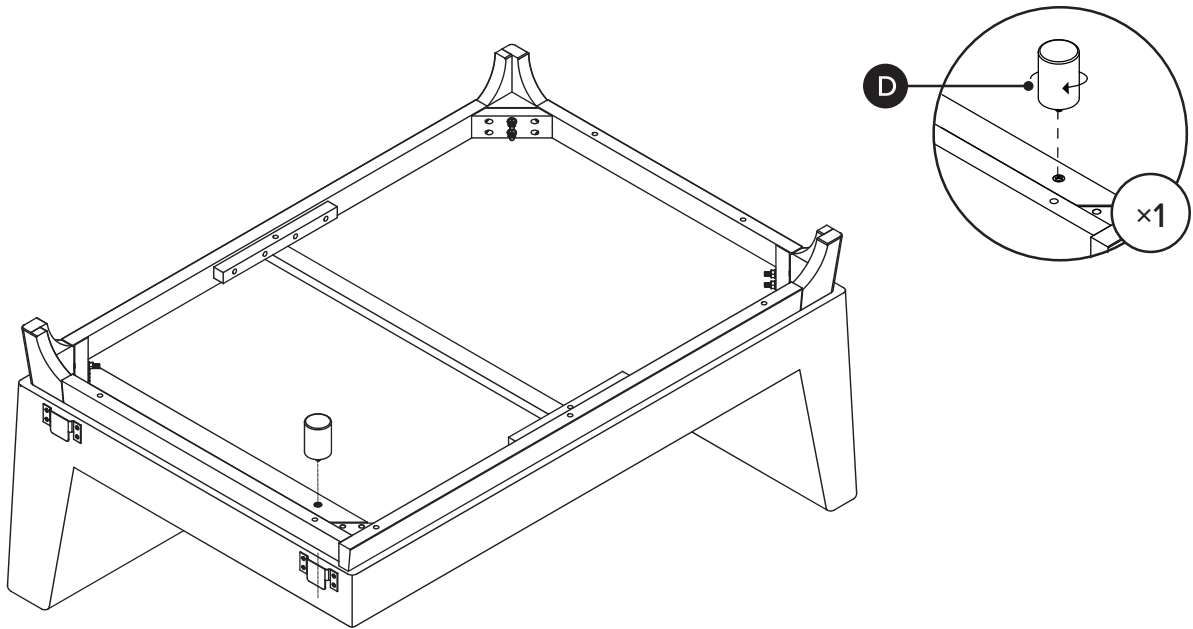
! Do not fully tighten nuts. Ensure all 3 legs are tightened by 85%.



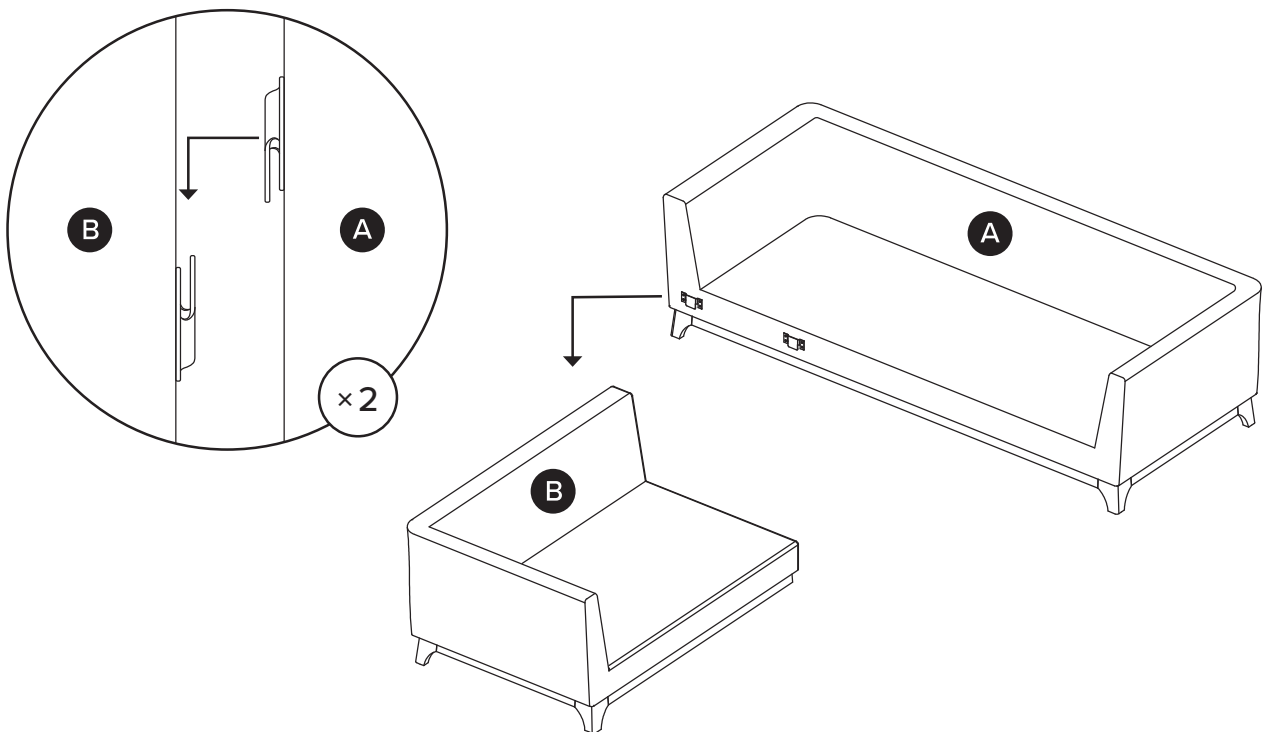
! Once all nuts are in place, fully tighten all nuts on leg frames before turning chair upright.



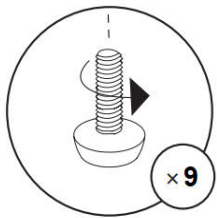
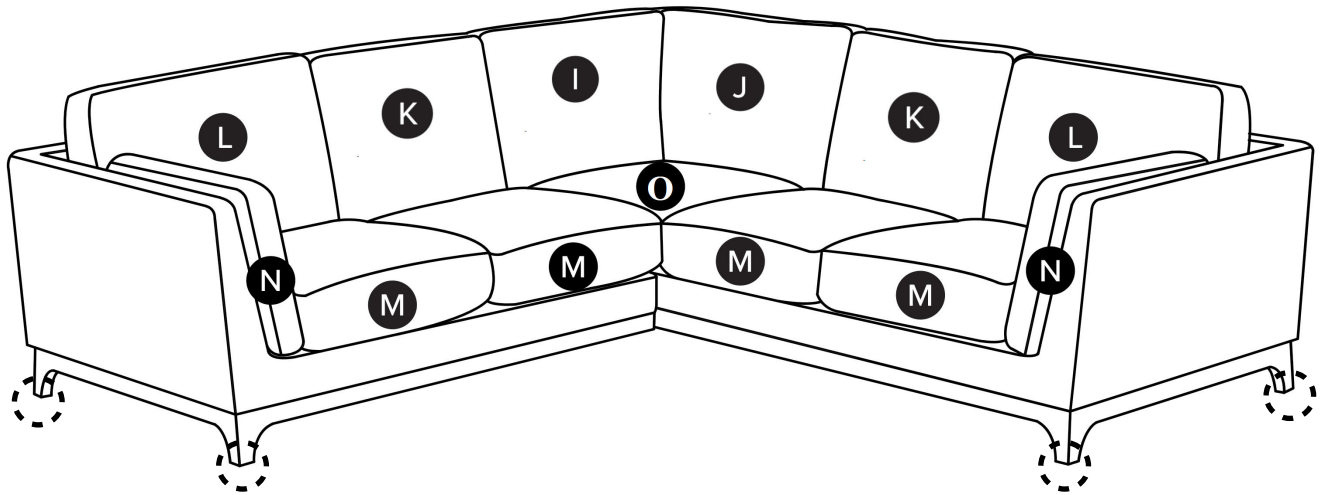
4



5



6



! Adjust levelers as needed.