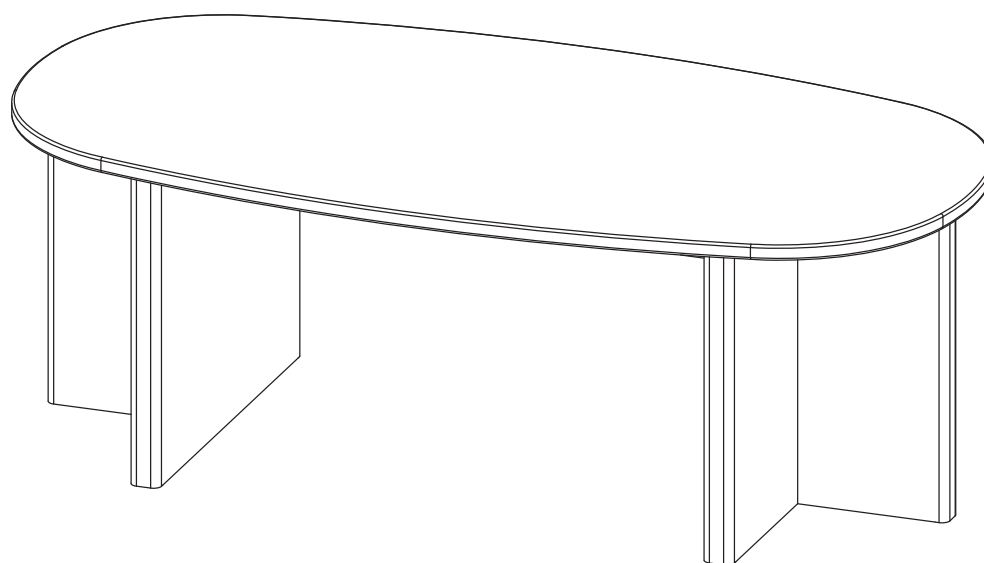


ARTICLE.

VERSION 1.0

Assembly Instructions



SPORO

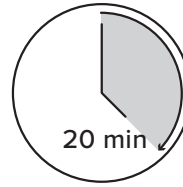
Coffee Table

ASSEMBLY INSTRUCTIONS

Read these instructions carefully and keep for future reference. Refer to parts inventory for guidance, and ensure you have all pieces before starting.

When assembling, place all parts on a soft, clean, and flat surface such as a carpet to prevent scratches.

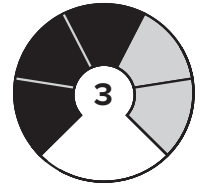
If you're having difficulty, our friendly Customer Care team is always here to help. Call us at **1.888.746.3455** during business hours, email service@article.com or chat live at [article.com](https://www.article.com).



TIME



OF PEOPLE


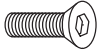




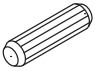




DIFFICULTY



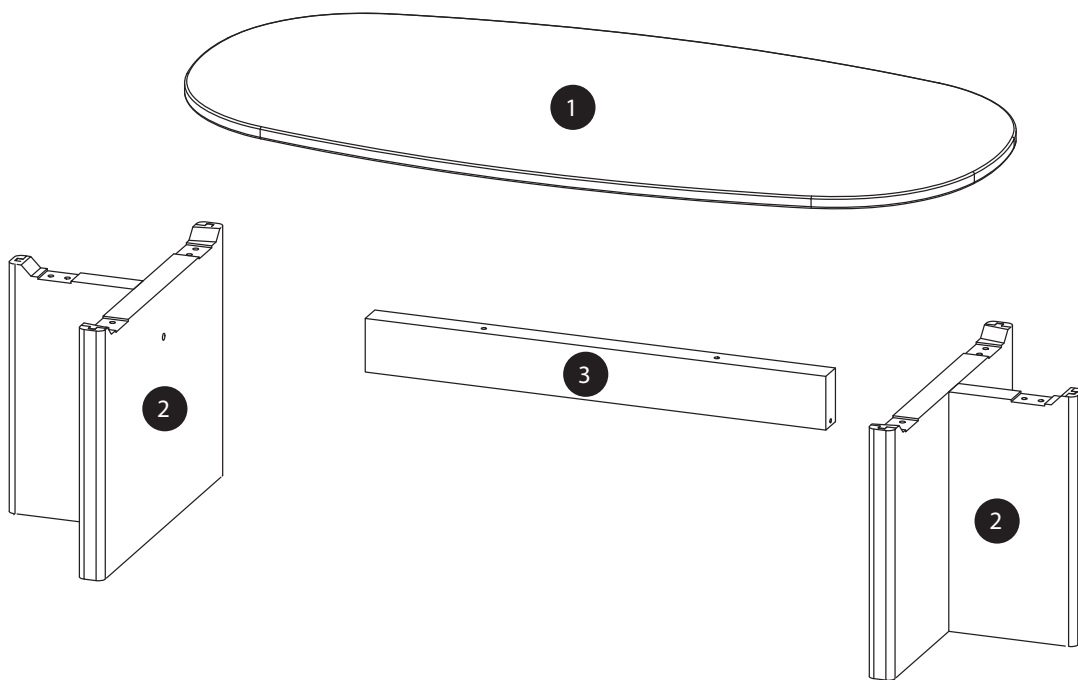
Hardware may loosen over time, check the bolts regularly and tighten if necessary.

PARTS INVENTORY		
ID	DESCRIPTION	QTY
1	TABLE TOP	1
2	T LEG	2
3	STRETCHER	1

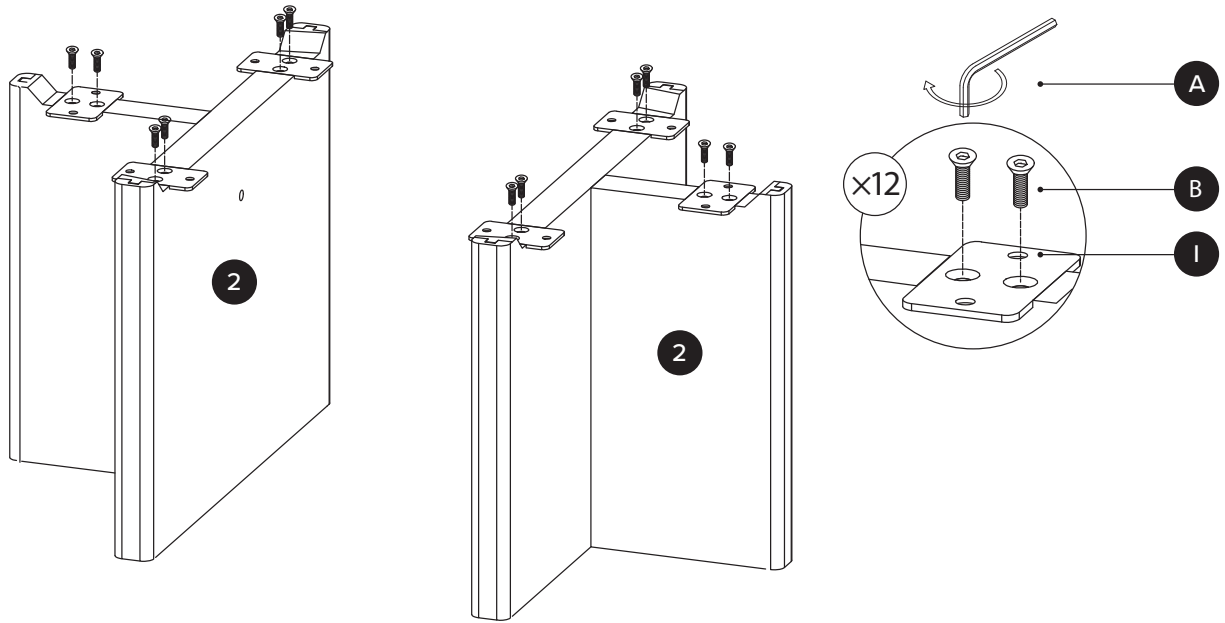
HARDWARE LIST			
ID	DESCRIPTION		QTY
A	ALLEN KEY		1
B	M6x15MM BOLT		24
C	M6x65MM BOLT		2
D	M6x50MM BOLT		2
E	M6 LOCK WASHER		4
F	M6 WASHER		4
G	WOODEN DOWEL		2
H	HALF MOON WASHER		2
I	METAL BRACKET		6



! Please ensure to put components on a flat and soft and clean surface such as a cardboard or a rug.

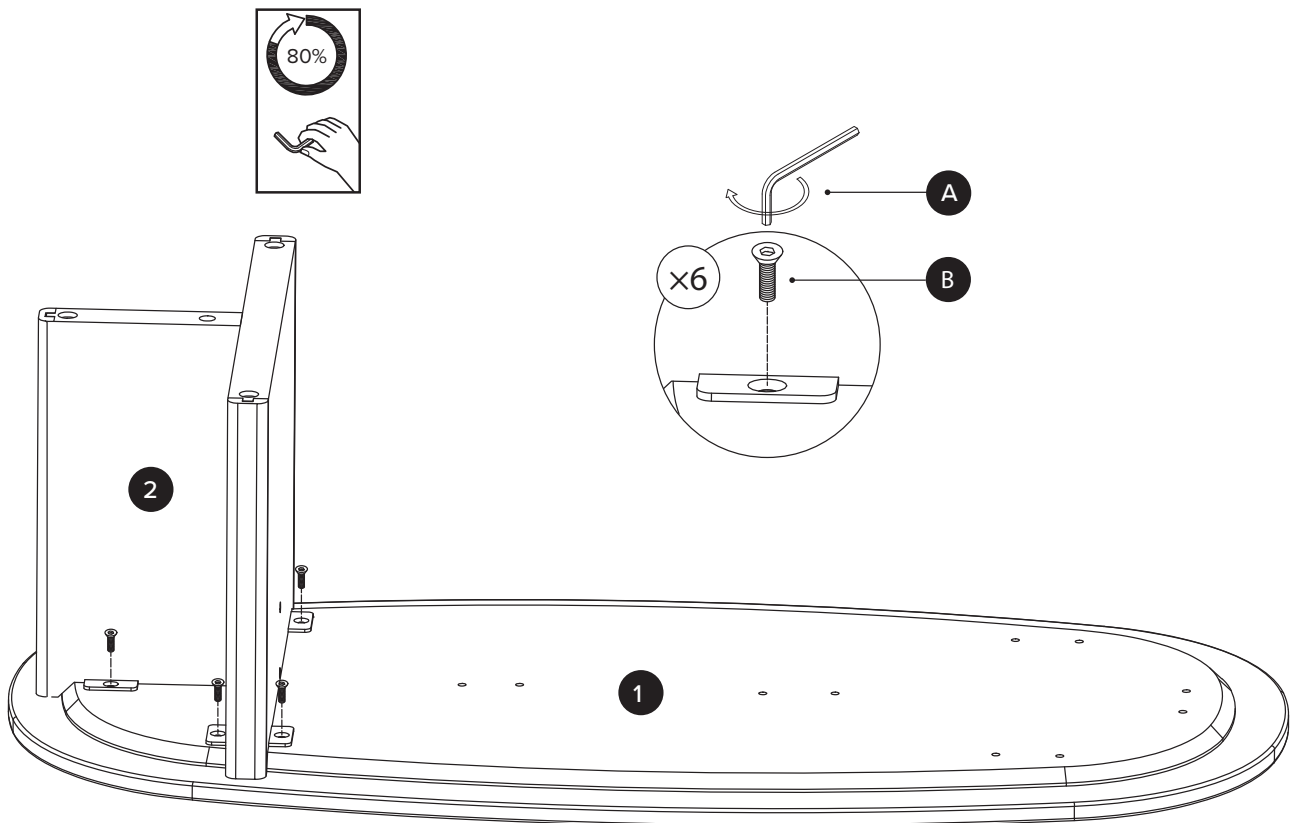


1

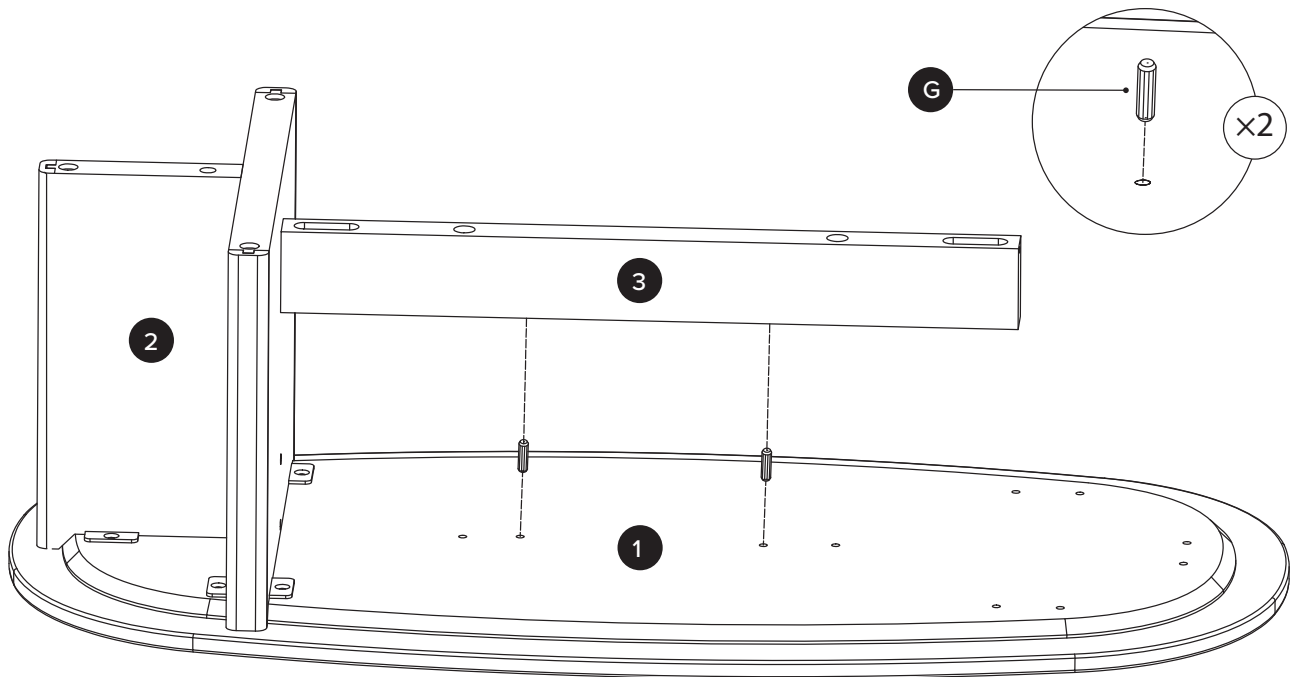


2

! Do not completely tighten bolts.

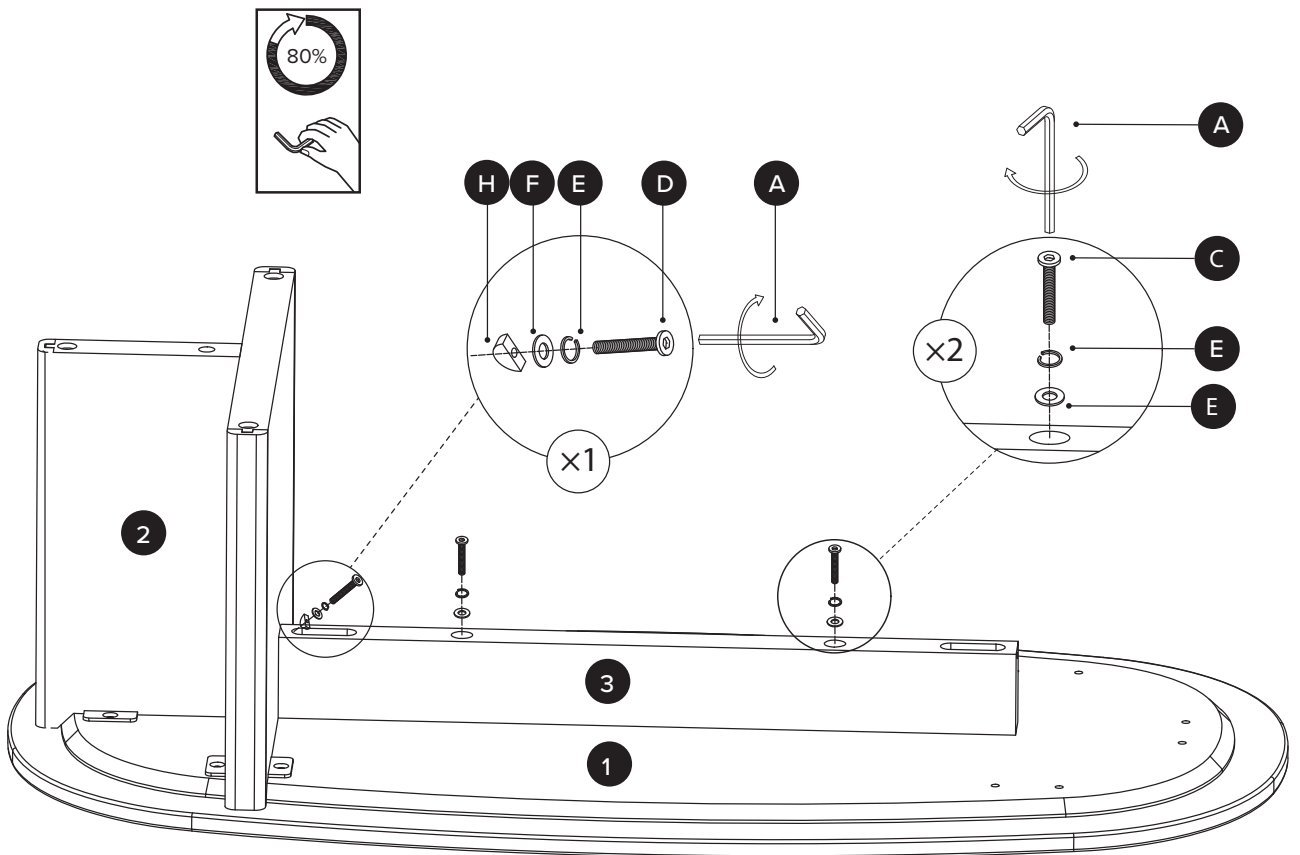


3

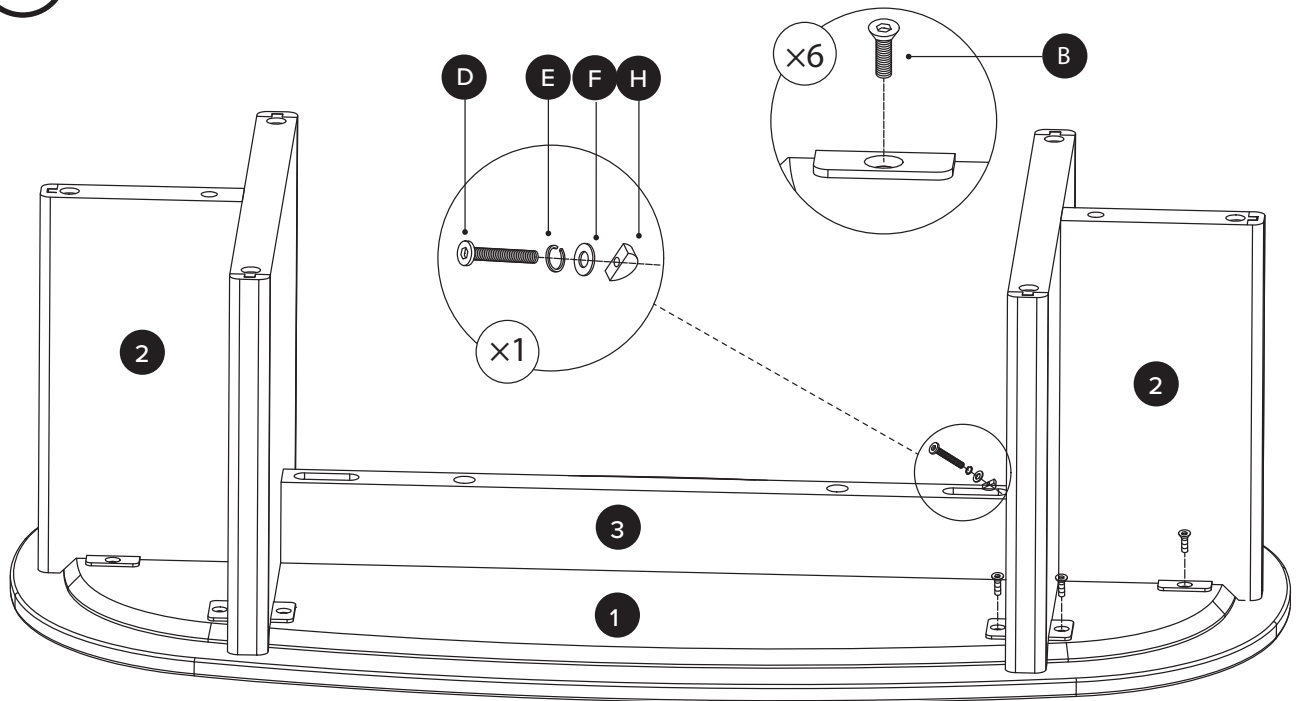


4

! Do not completely tighten bolts.



5



6

! Once all bolts are placed, completely tighten

