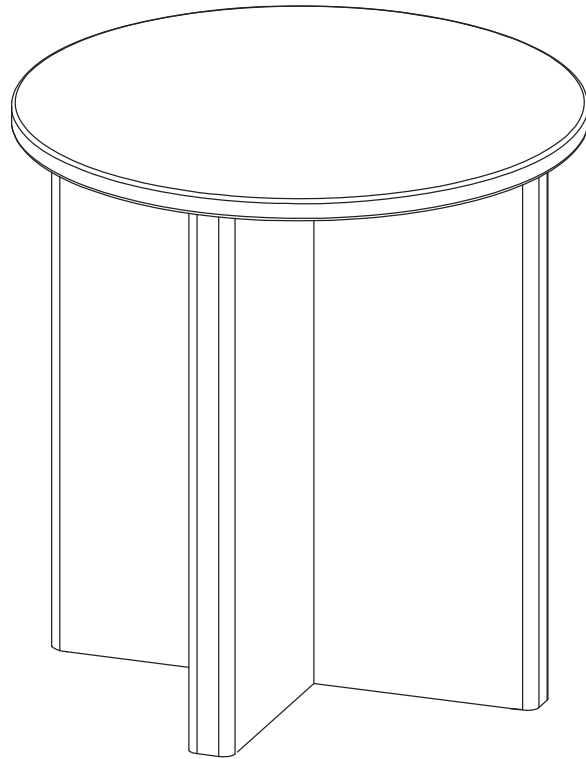


ARTICLE.

VERSION 1.0

Assembly Instructions



SPORO

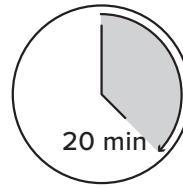
Side Table

ASSEMBLY INSTRUCTIONS

Read these instructions carefully and keep for future reference. Refer to parts inventory for guidance, and ensure you have all pieces before starting.

When assembling, place all parts on a soft, clean, and flat surface such as a carpet to prevent scratches.

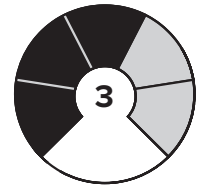
If you're having difficulty, our friendly Customer Care team is always here to help. Call us at **1.888.746.3455** during business hours, email service@article.com or chat live at article.com.



TIME



OF PEOPLE

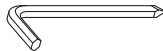

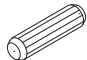






DIFFICULTY



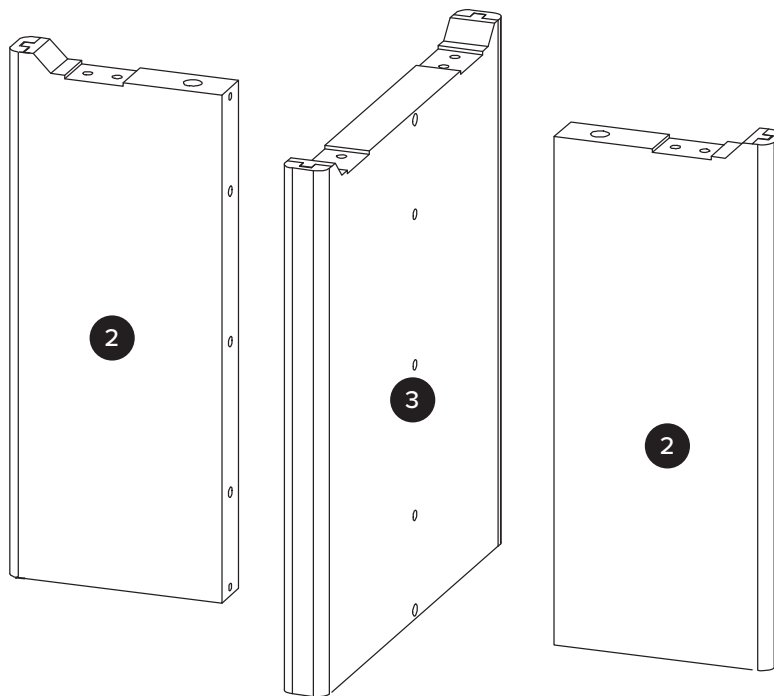
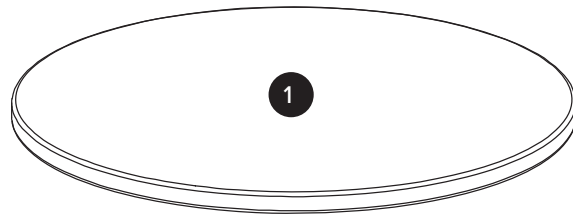
Hardware may loosen over time, check the bolts regularly and tighten if necessary.

PARTS INVENTORY		
ID	DESCRIPTION	QTY
1	TABLE TOP	1
2	SMALL LEG	2
3	BIG LEG	1

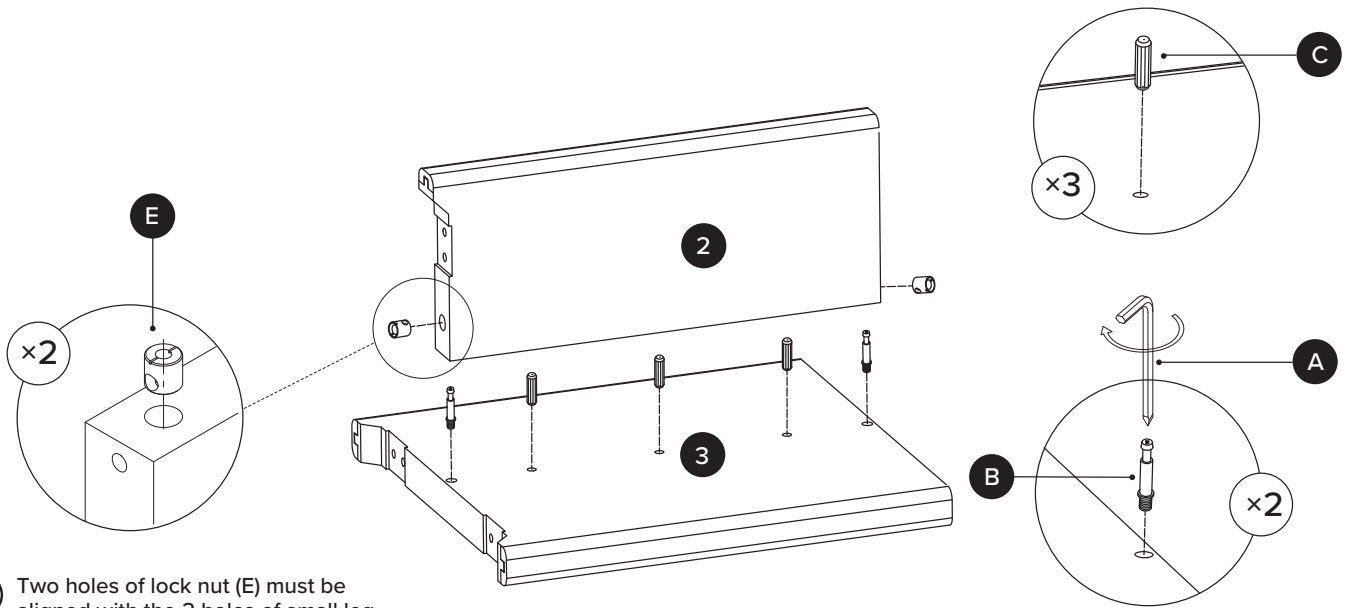
HARDWARE LIST			
ID	DESCRIPTION		QTY
A	ALLEN KEY		1
B	CAMLOCK BOLT		4
C	WOODEN DOWEL		6
D	CAMLOCK SCREW		4
E	CAMLOCK NUT		4
F	M6×15MM BOLT		16
G	METAL BRACKET		4



⚠ Please ensure to put components on a flat and soft and clean surface such as a cardboard or a rug.

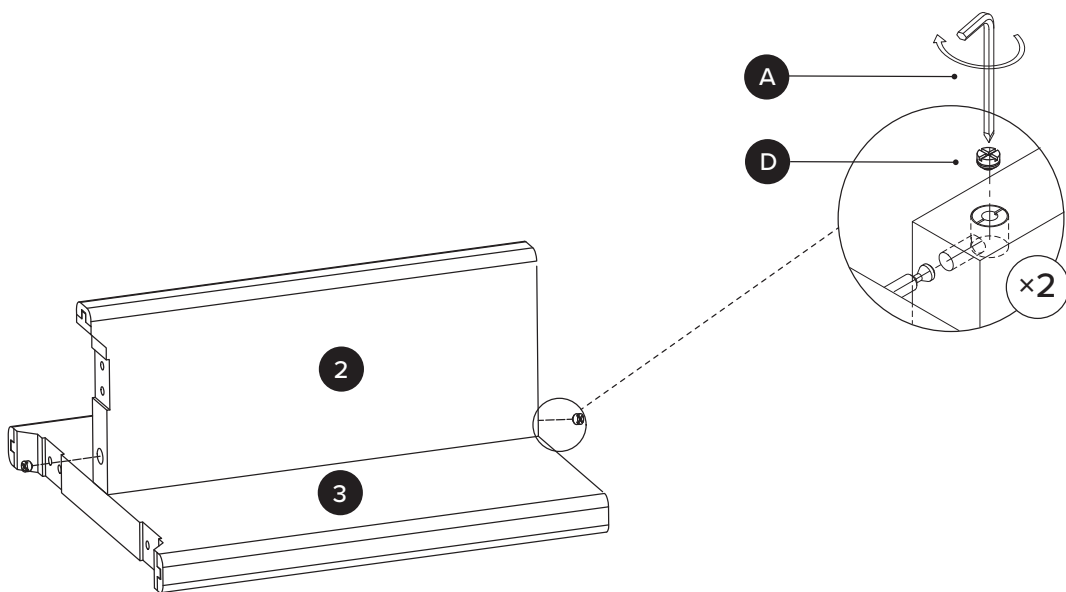


1

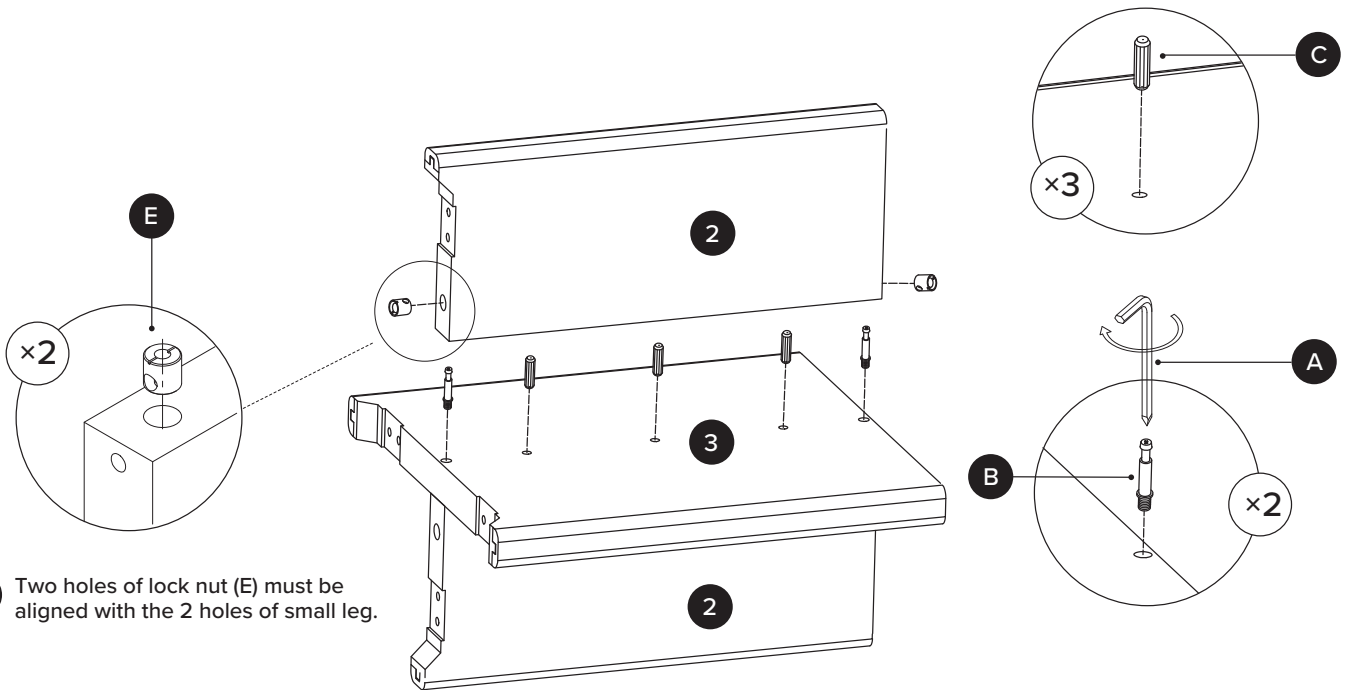


! Two holes of lock nut (E) must be aligned with the 2 holes of small leg.

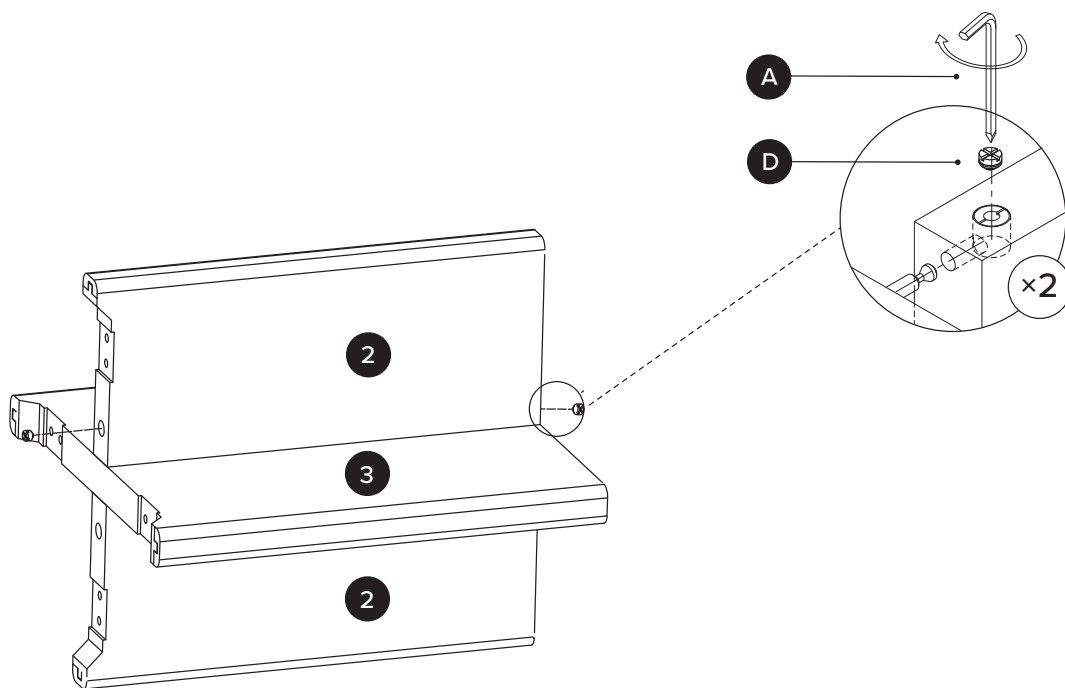
2



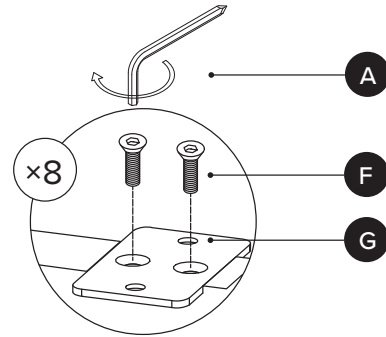
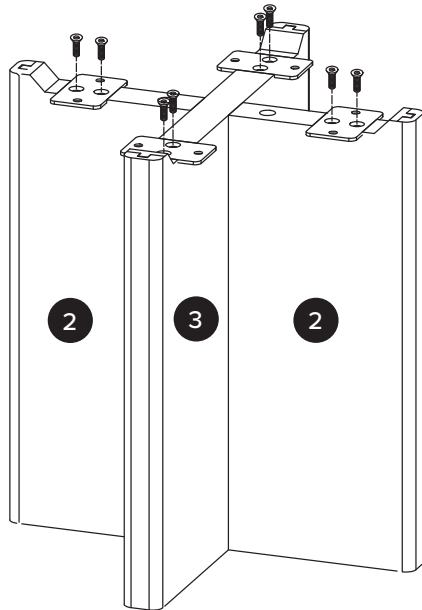
3



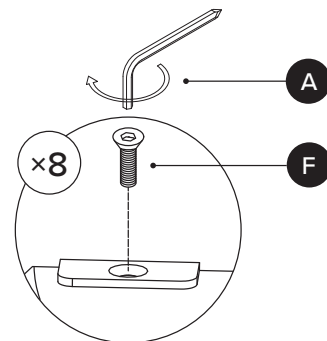
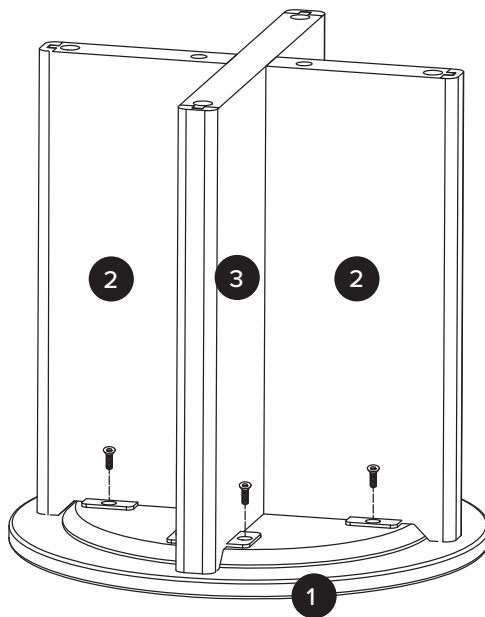
4



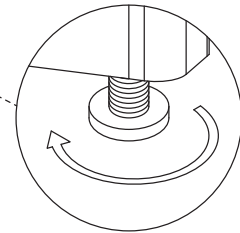
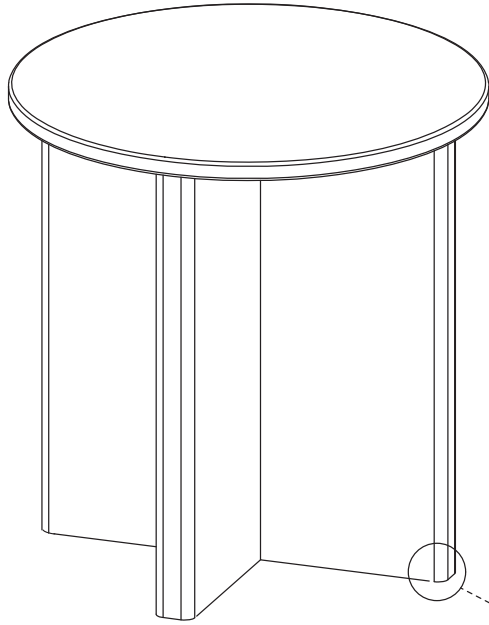
5



6



7



Adjust levelers as needed.