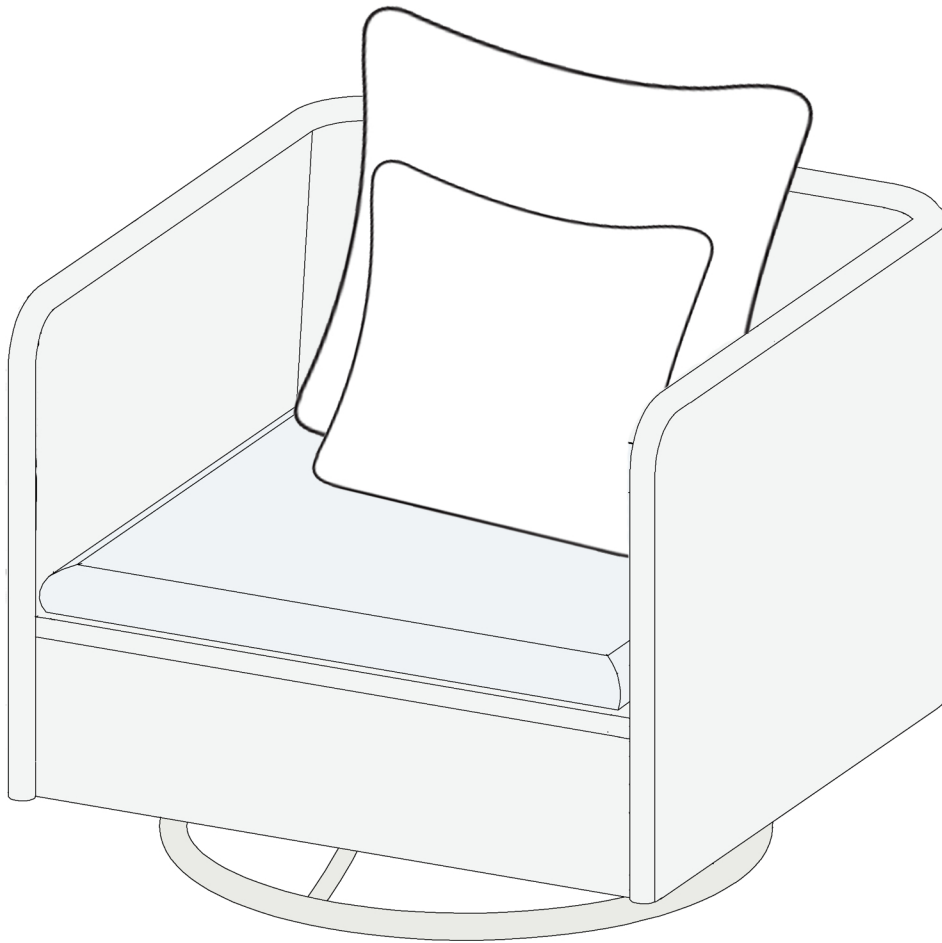


# ARTICLE.

VERSION 1.0

## Assembly Instructions



# ROBBI

Swivel Chair

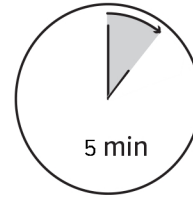
# ARTICLE.

## ASSEMBLY INSTRUCTIONS

Read these instructions carefully and keep for future reference. Refer to parts inventory for guidance, and ensure you have all pieces before starting.

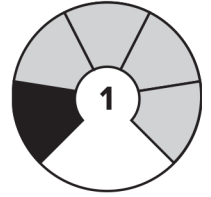
When assembling, place all parts on a soft, clean, and flat surface such as a carpet to prevent scratches.

If you're having difficulty, our friendly Customer Care team is always here to help. Call us at **1.888.746.3455** during business hours, email [service@article.com](mailto:service@article.com) or chat live at [article.com](https://www.article.com).



5 min

TIME



1

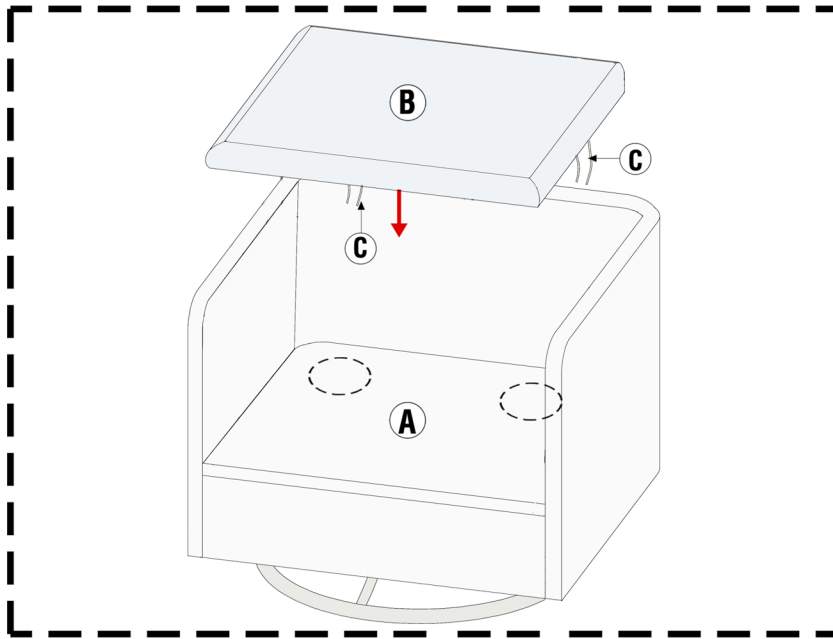
DIFFICULTY



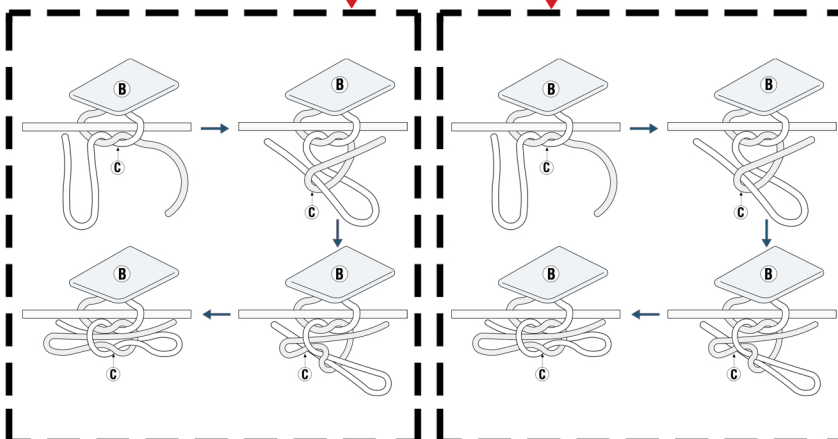
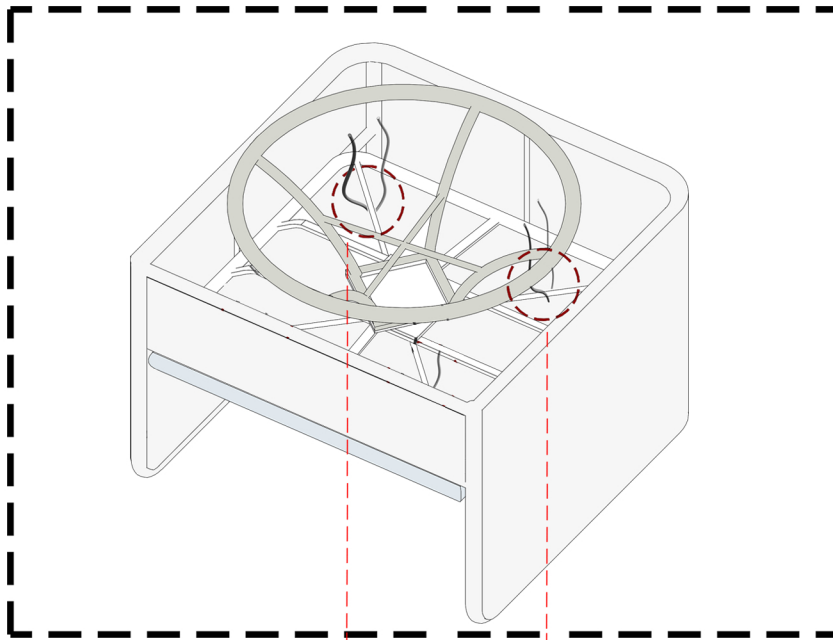
1 OF PEOPLE

| PARTS INVENTORY |   |     |
|-----------------|---|-----|
| ID              | DESCRIPTION                             | QTY |
| <b>A</b>        | CHAIR                                   | 1   |
| <b>B</b>        | SEAT CUSHION                            | 1   |
| <b>C</b>        | TIGHT ROPE (ATTACHED TO SEAT CUSHION B) | 2   |
| <b>D</b>        | BACK CUSHION                            | 2   |

2



! Attached the seat cushion B to the Swivel chair A by tightening the ropes from the under side



3

