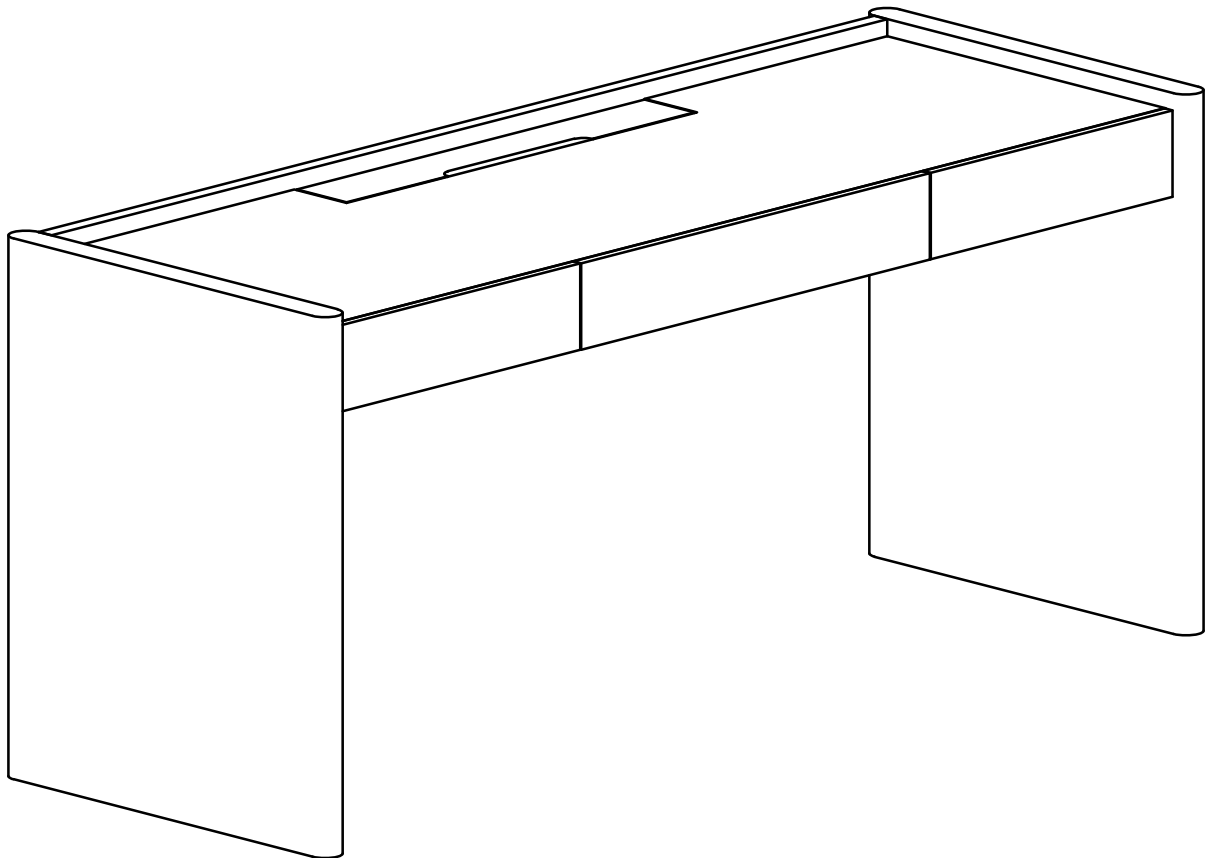


# ARTICLE.

VERSION 1.0

## Assembly Instructions



# TORME

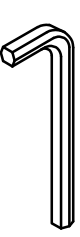
Desk

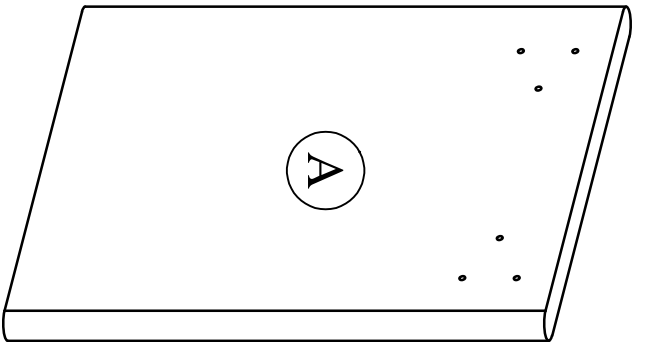
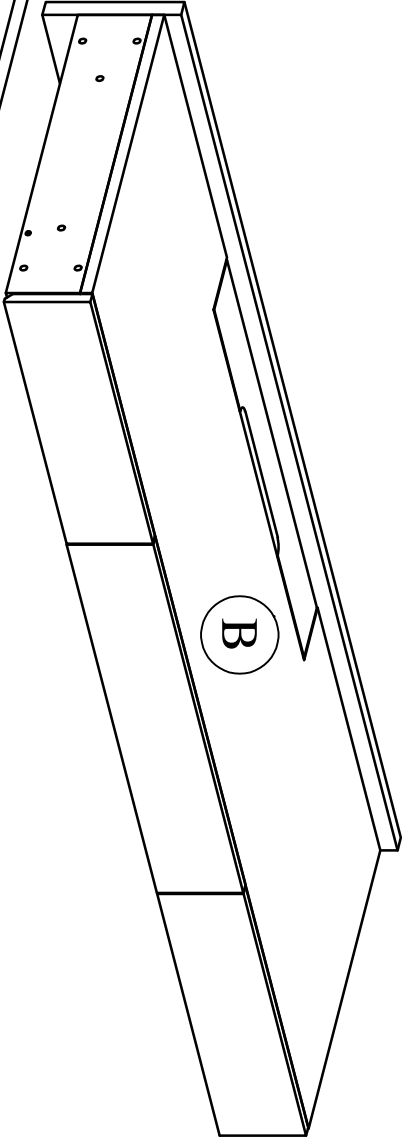
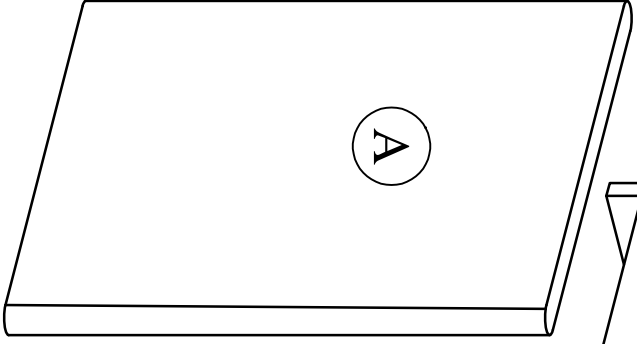
### PARTS INVENTORY

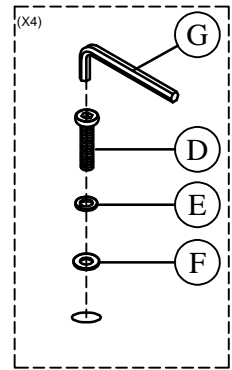
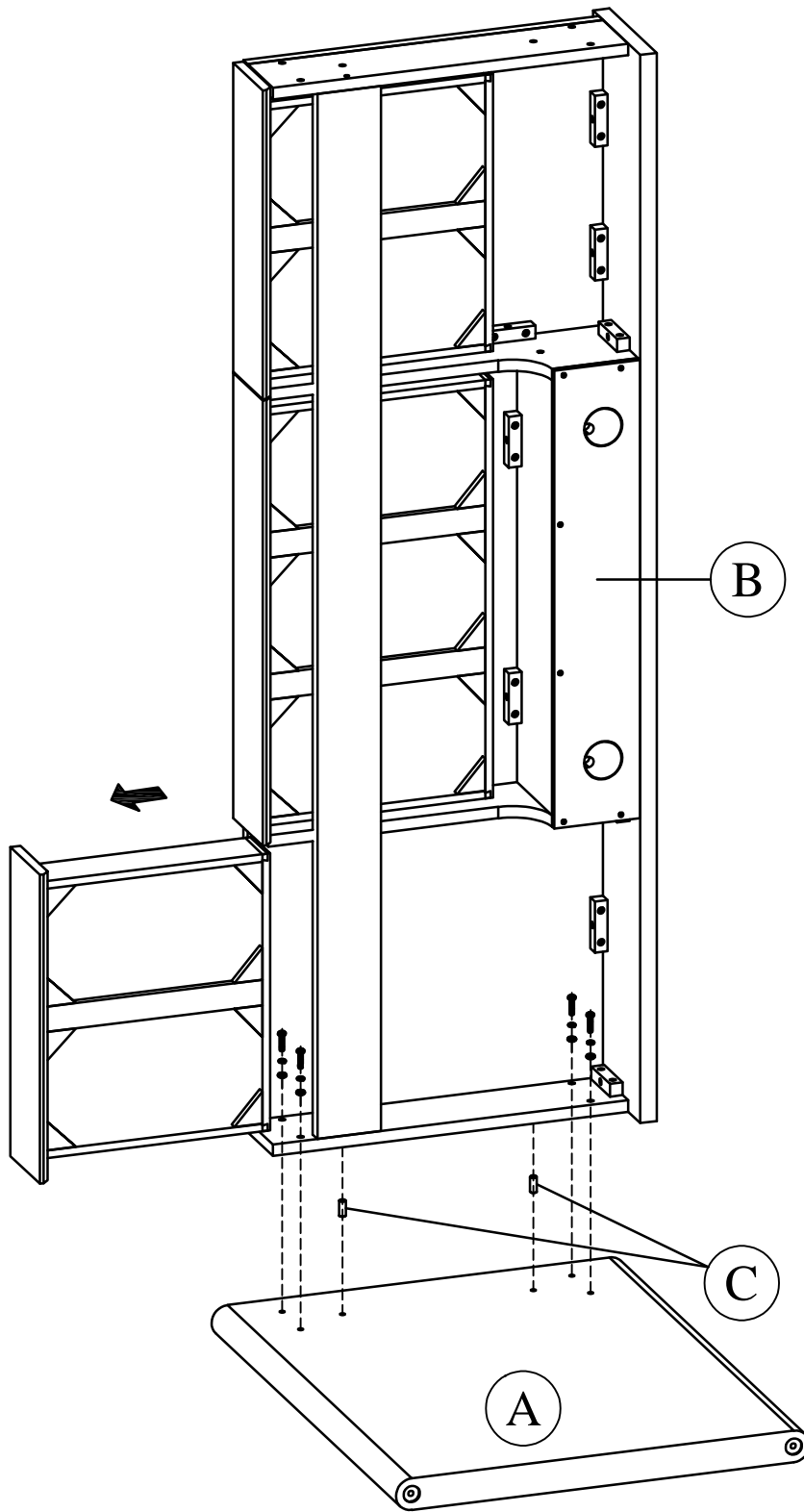
ID	DESCRIPTION	QTY
<b>A</b>	SIDE PANEL	2
<b>B</b>	CENTER UNIT	1

### PARTS INVENTORY CONT.

ID	DESCRIPTION	QTY
<b>C</b>	WOOD DOWEL	4
<b>D</b>	M6 x 40 BOLT	8
<b>E</b>	M6 LOCK WASHER	8
<b>F</b>	M6 FLAT WASHER	8
<b>G</b>	ALLEN KEY	1

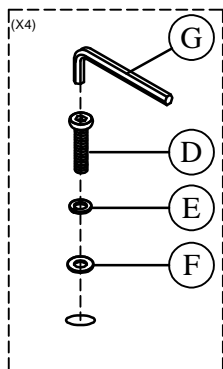
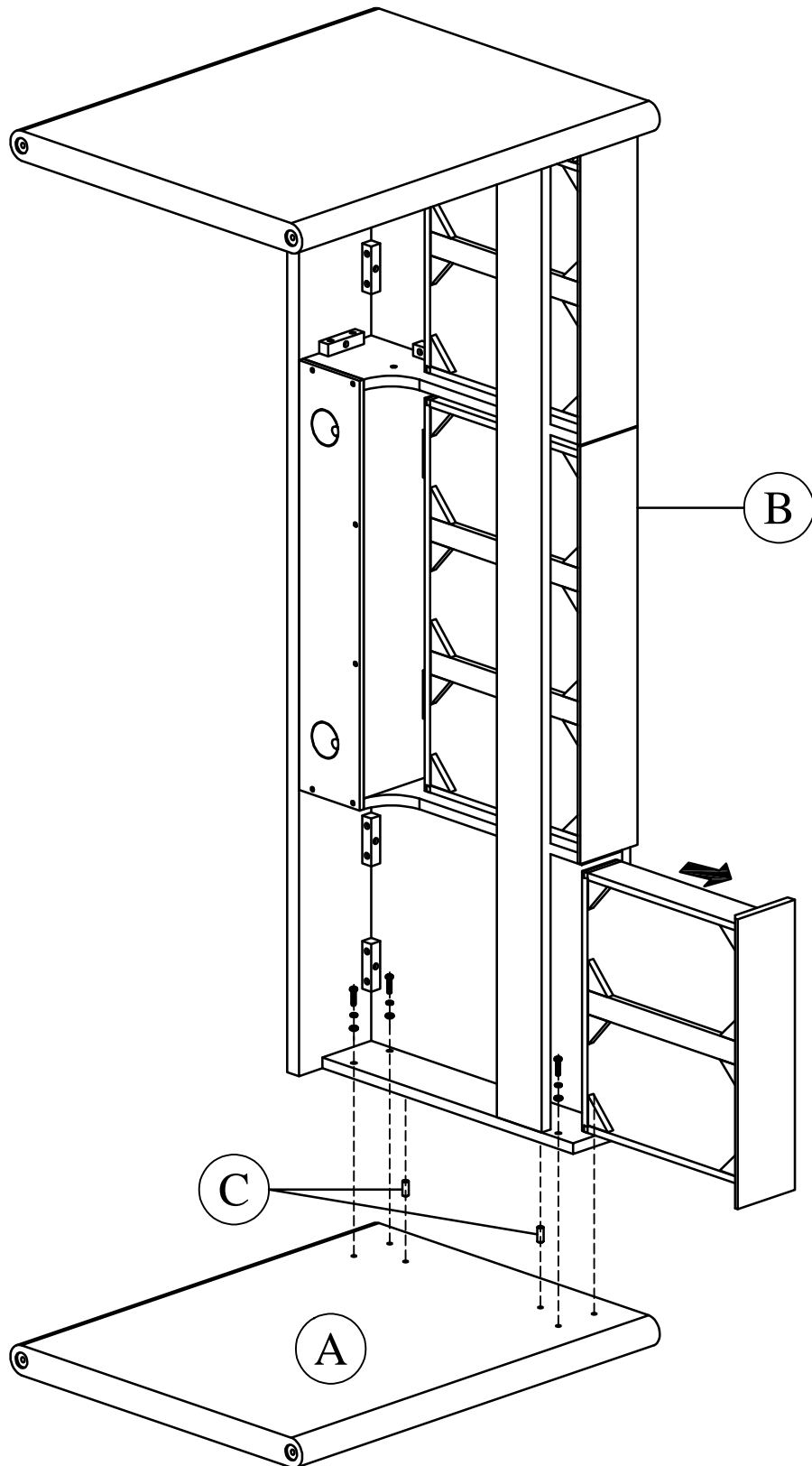




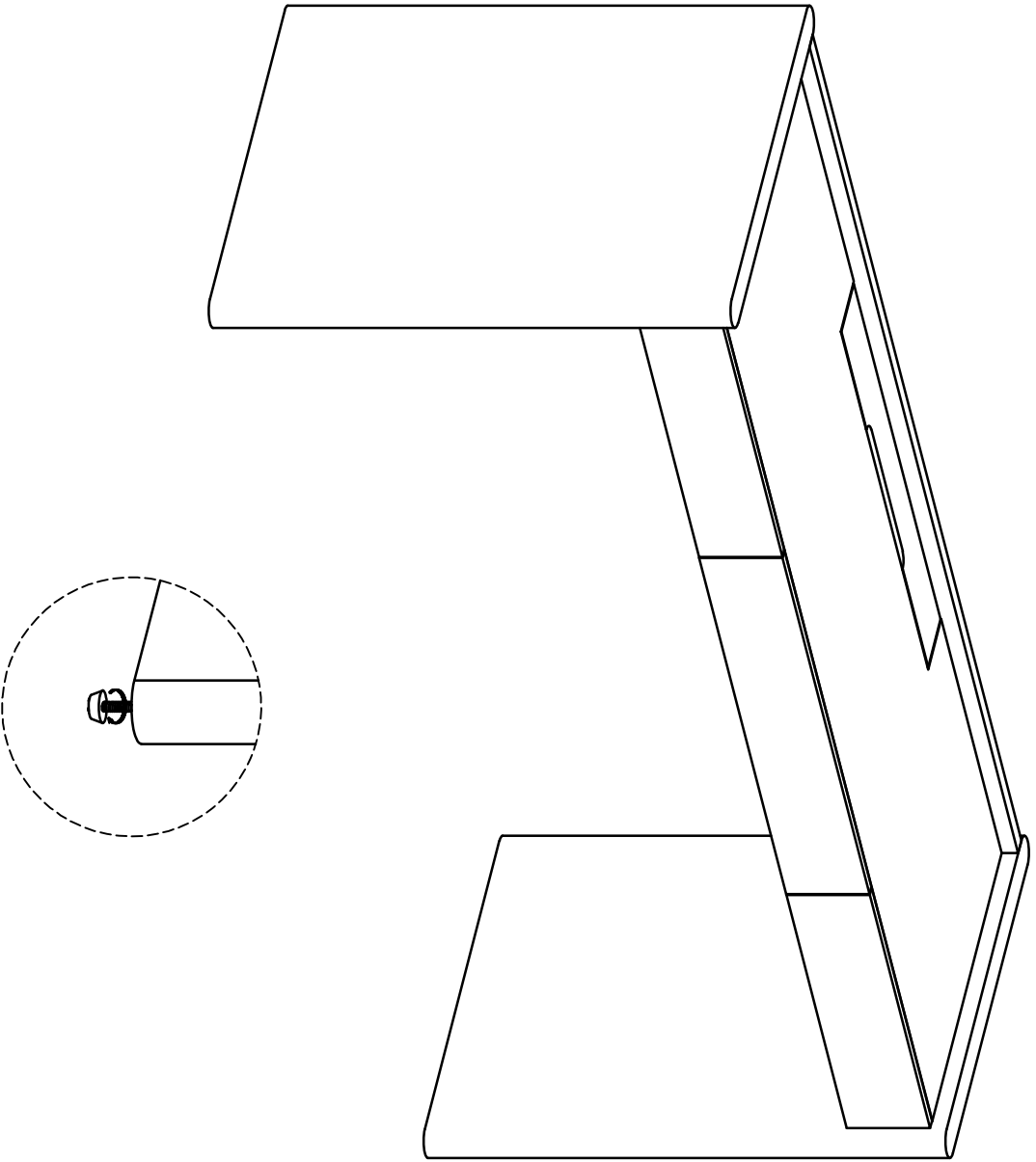


FLOOR

Please put these components on a soft and flat surface such as a rug or cardboard.



2



HDS25