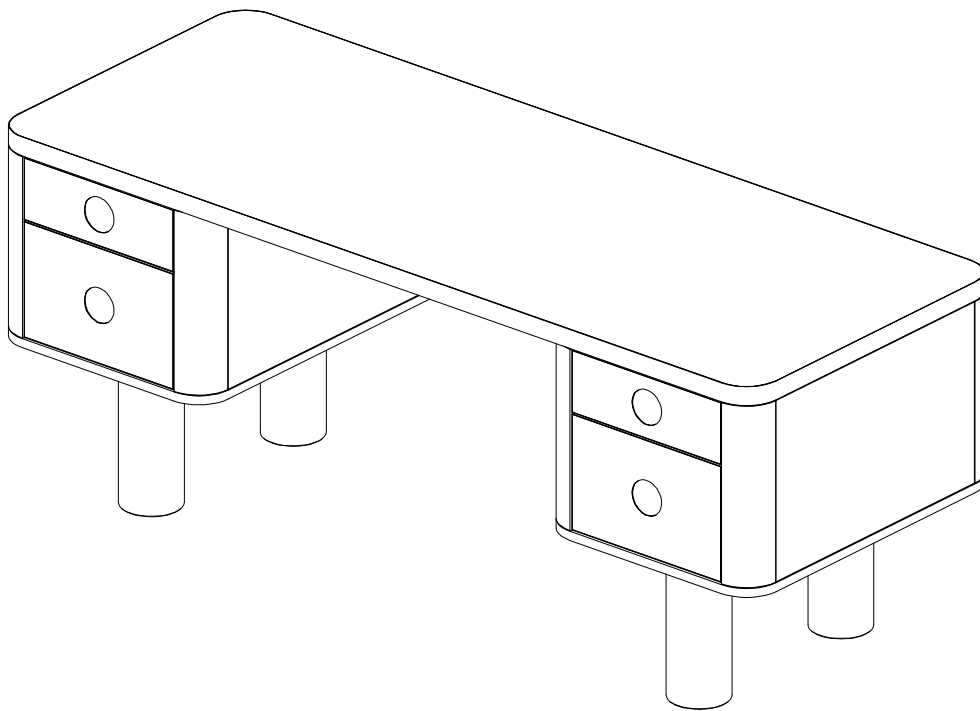


ARTICLE.

VERSION 1.1

Assembly Instructions



MUHLY

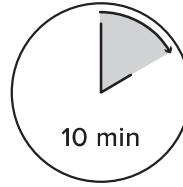
Desk

ASSEMBLY INSTRUCTIONS

Read these instructions carefully and keep for future reference. Refer to parts inventory for guidance, and ensure you have all pieces before starting.

When assembling, place all parts on a soft, clean, and flat surface such as a carpet to prevent scratches.

If you're having difficulty, our friendly Customer Care team is always here to help. Call us at **1.888.746.3455** during business hours, email service@article.com or chat live at article.com.

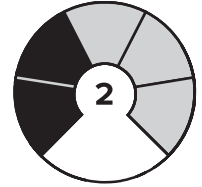


10 min

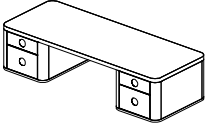

TIME



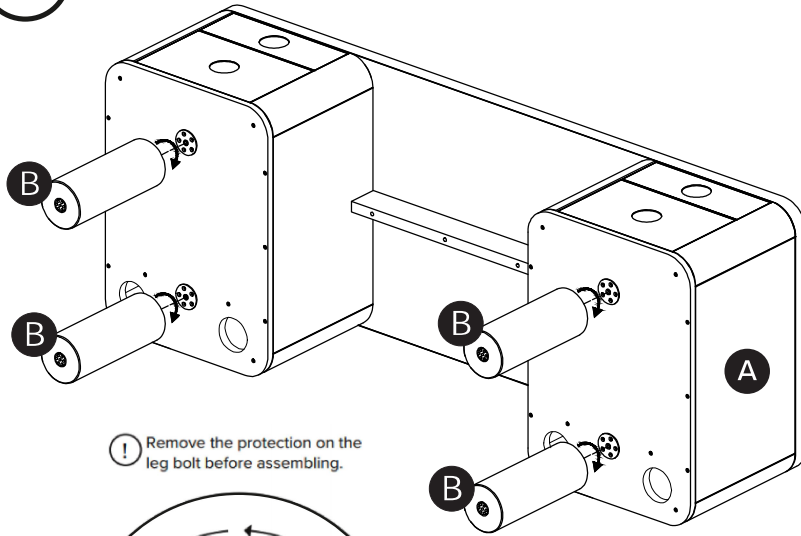
OF PEOPLE



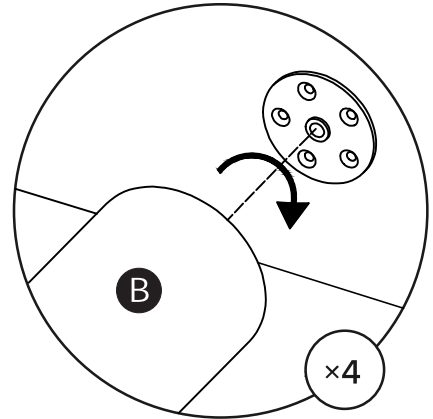
DIFFICULTY

PARTS INVENTORY		
ID	DESCRIPTION	QTY
A	CABINET 	1
B	LEG 	4

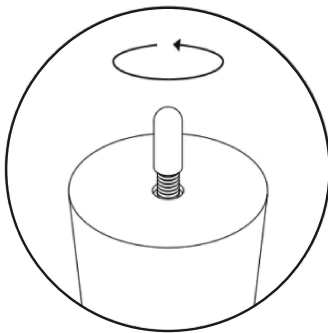
1



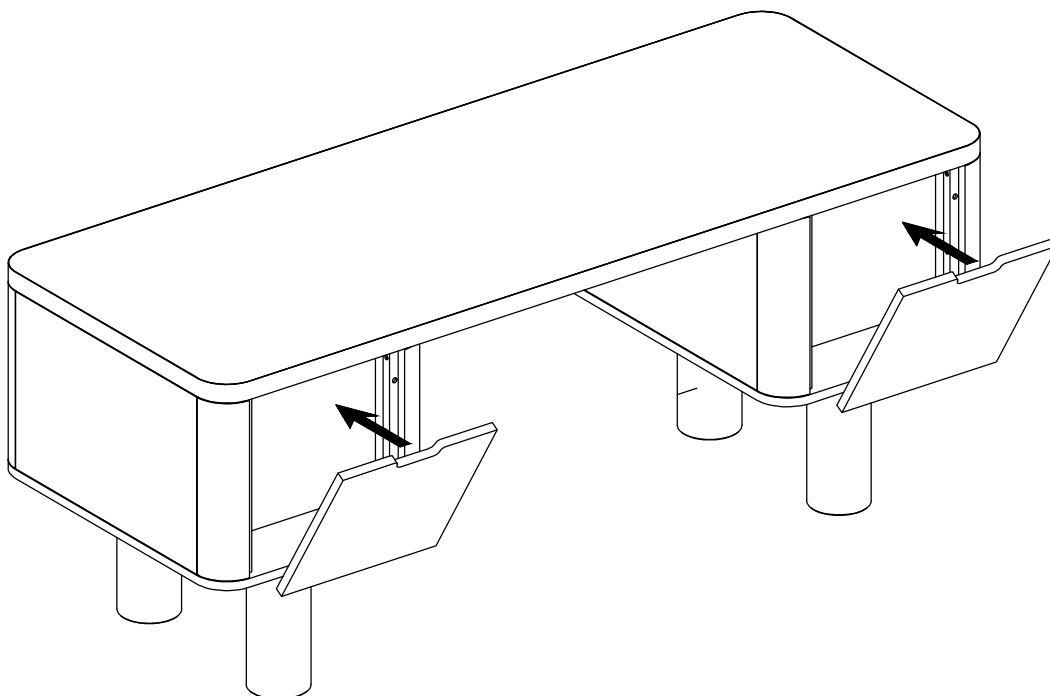
! Remove the protection on the leg bolt before assembling.



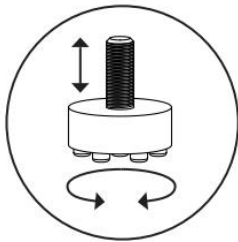
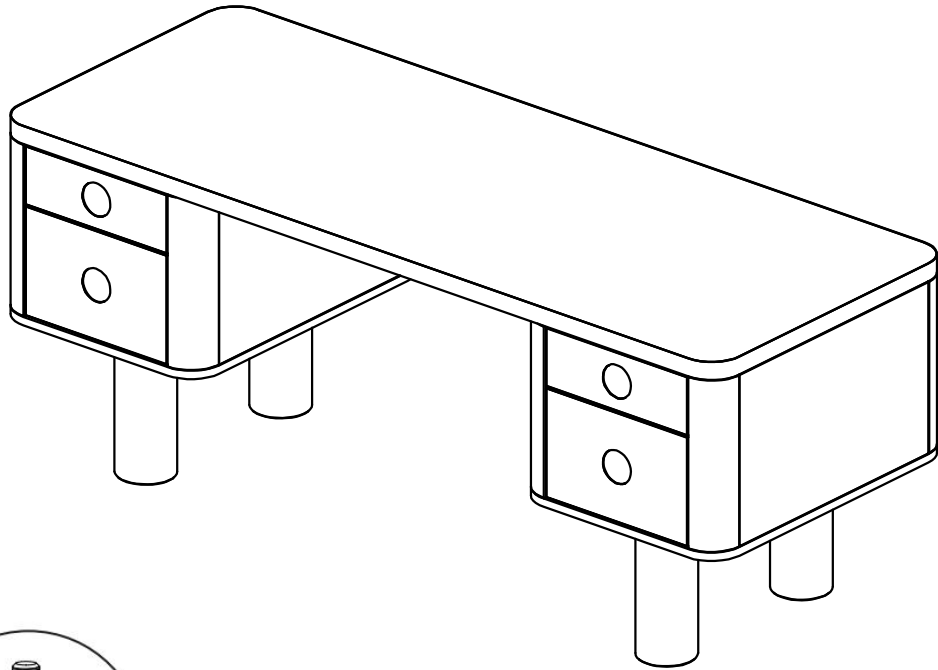
! Make sure to place the cabinet down on a soft protected surface.



2



3



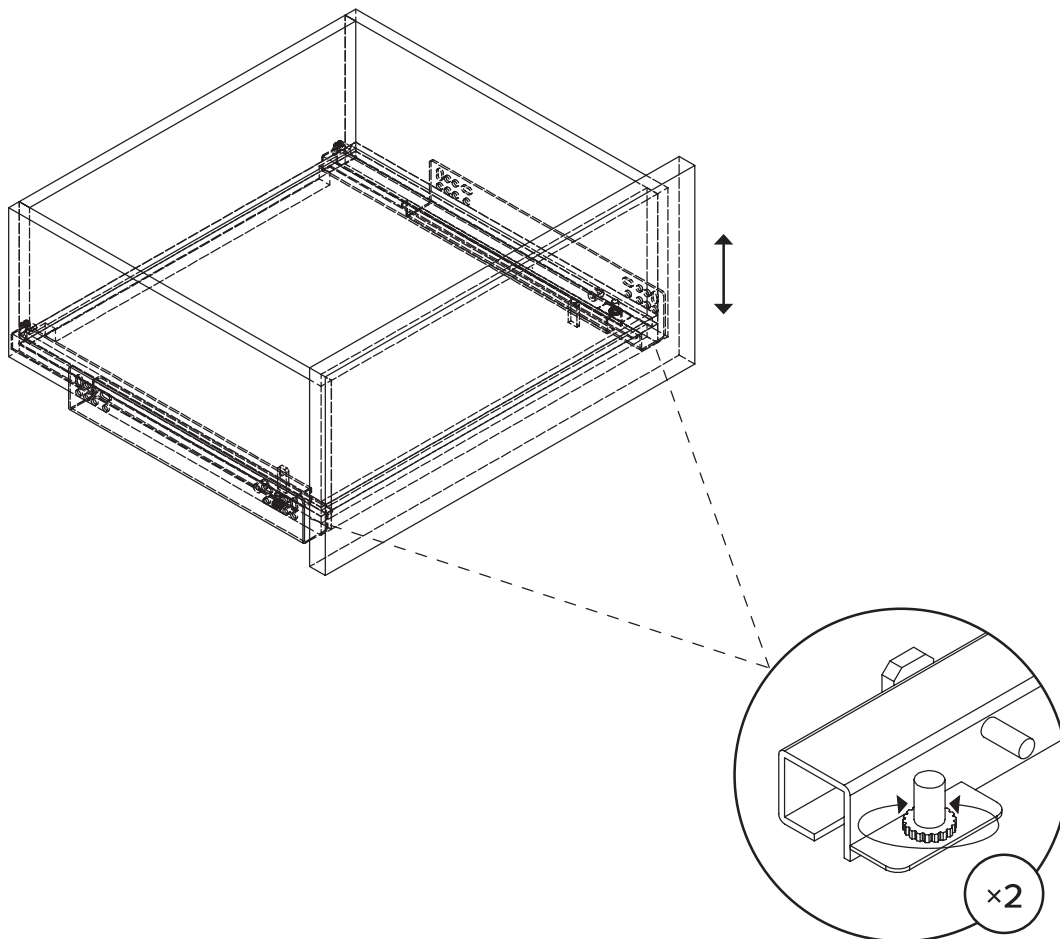
! Adjust levelers as needed.

SOFT CLOSING DRAWERS

ADJUSTMENT INSTRUCTIONS

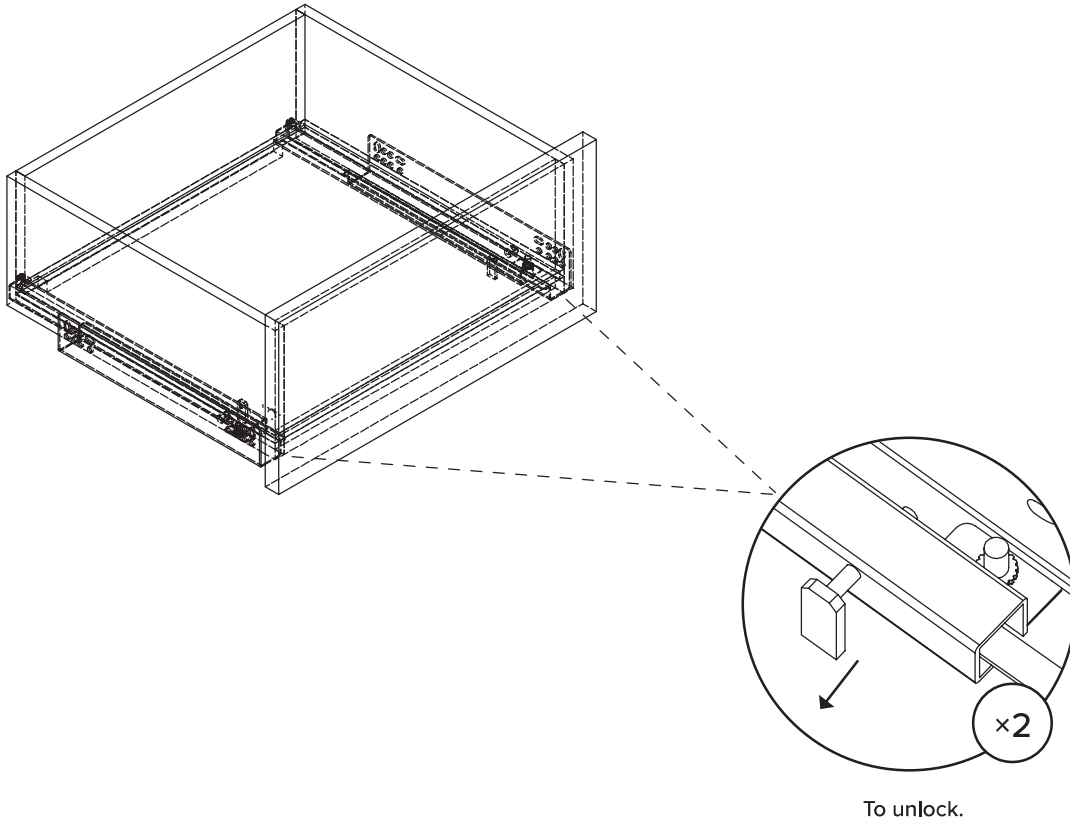
If you're having difficulty, our friendly Customer Care team is always here to help. Call us at **1.888.746.3455** during business hours, email service@article.com or chat live at article.com.

FIXED A CROOKED DRAWER

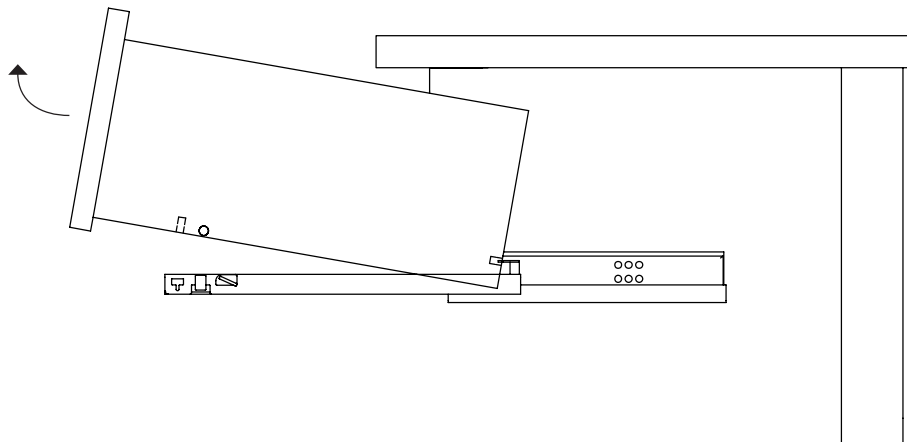


! Adjust levelers on either side of drawer as needed to straighten drawer.

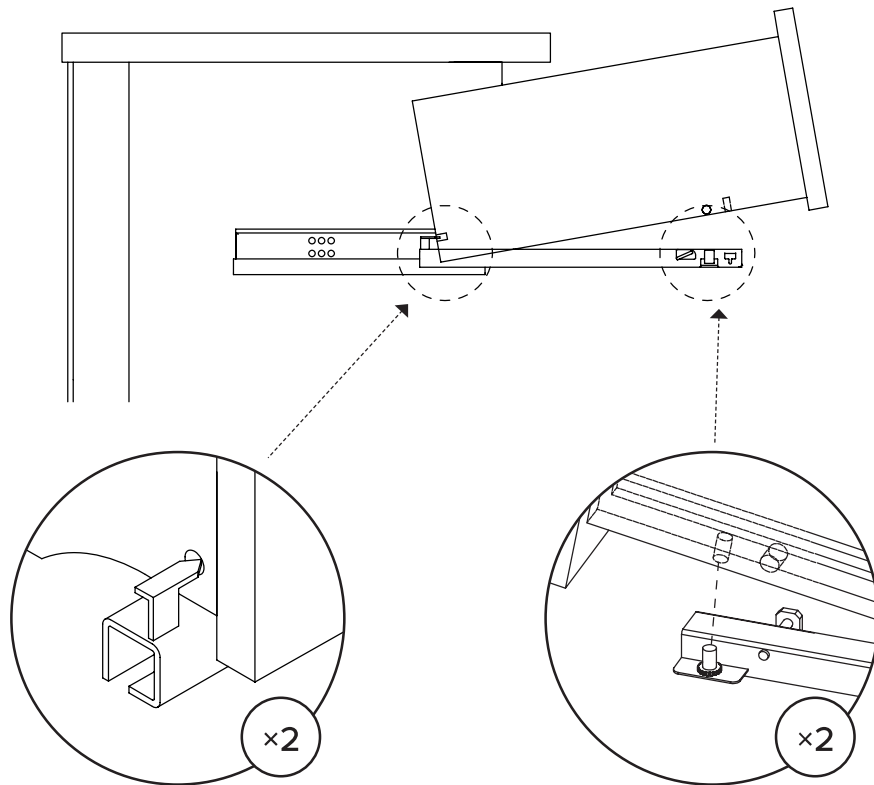
1 REMOVE DRAWER



2



1 — INSTALL DRAWER



2

