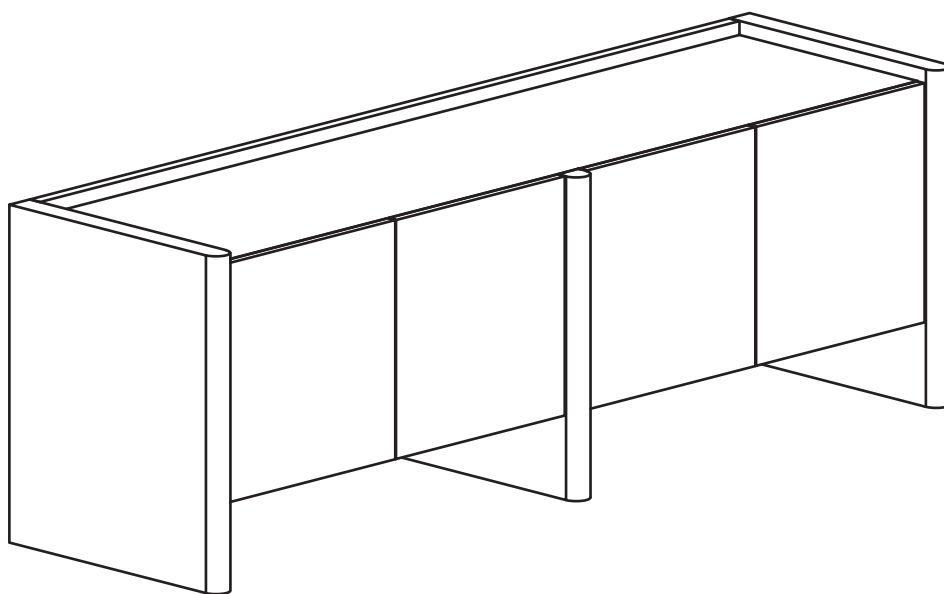


ARTICLE.

VERSION 1.0

Assembly Instructions



TORME

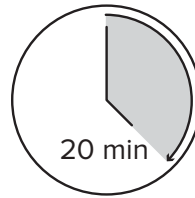
Media Unit

ASSEMBLY INSTRUCTIONS

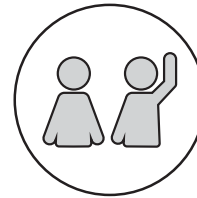
Read these instructions carefully and keep for future reference. Refer to parts inventory for guidance, and ensure you have all pieces before starting.

When assembling, place all parts on a soft, clean, and flat surface such as a carpet to prevent scratches.

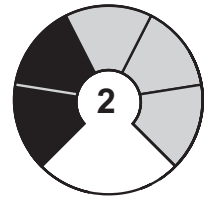
If you're having difficulty, our friendly Customer Care team is always here to help. Call us at **1.888.746.3455** during business hours, email service@article.com or chat live at [article.com](https://www.article.com).



TIME



OF PEOPLE



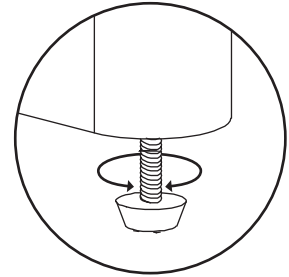
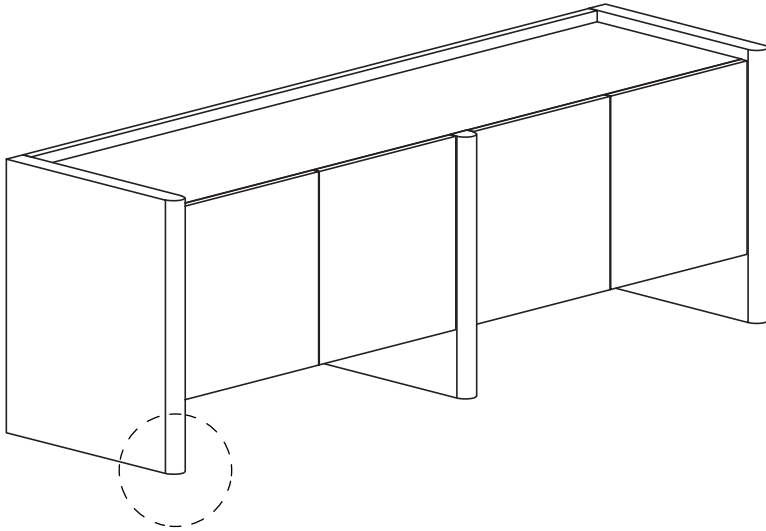
DIFFICULTY



ANTI-TIP

Installation Required

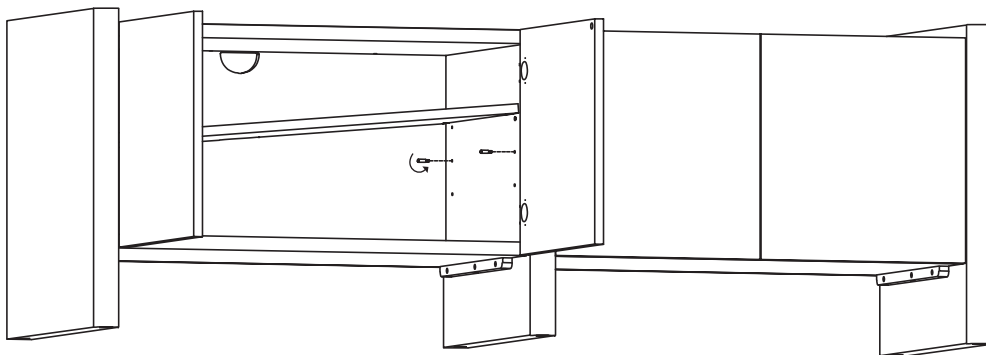
1



! Adjust levelers as needed.

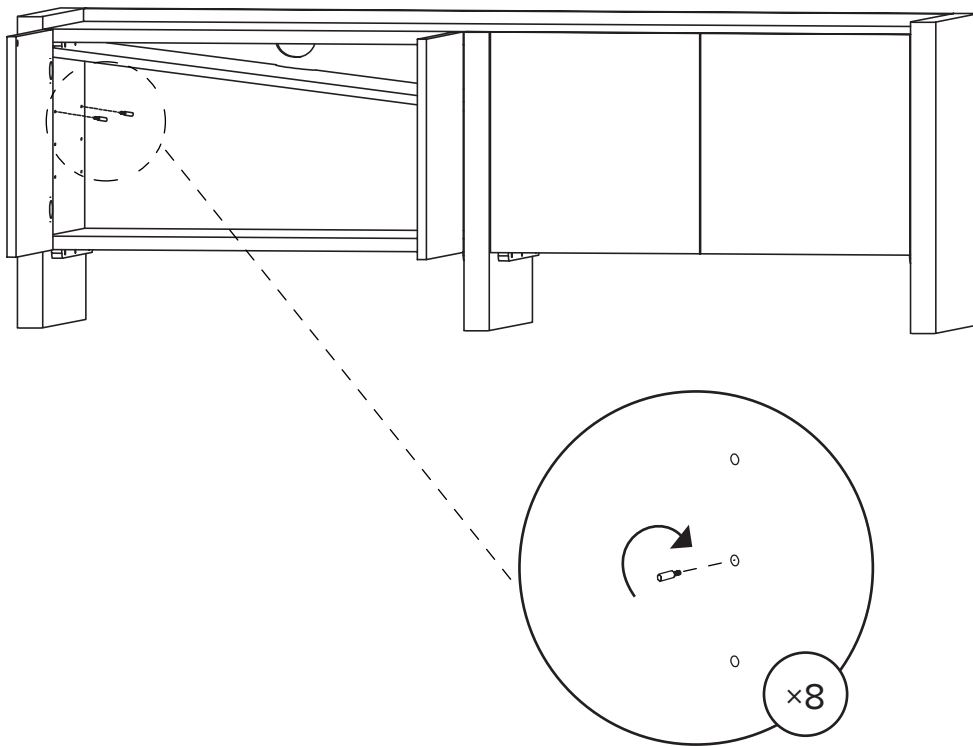
2

! Change position of shelf as needed.



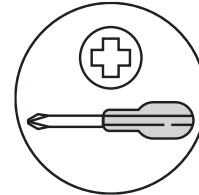
3

! Change position of shelf as needed.



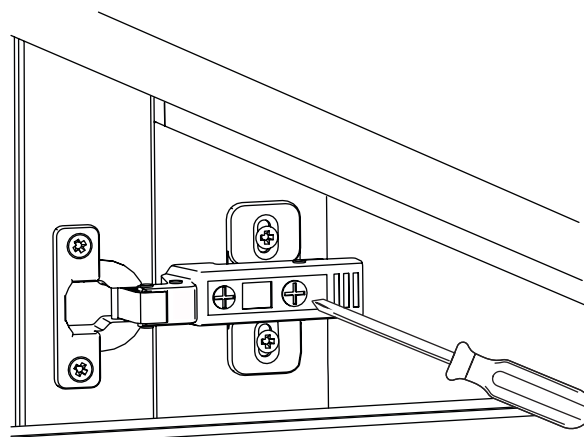
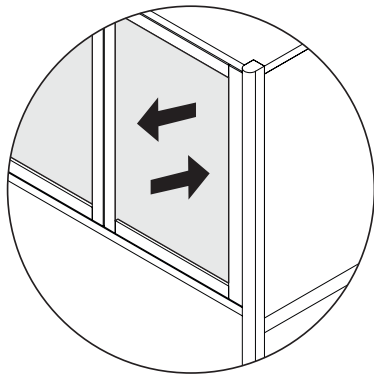
DOOR ADJUSTMENT INSTRUCTIONS

! During shipping, the doors of your cabinet may have shifted slightly. This can easily be corrected by tightening a few screws. Always start by adjusting the top hinge on the affected door.



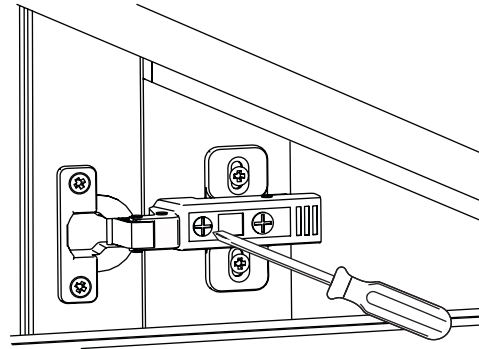
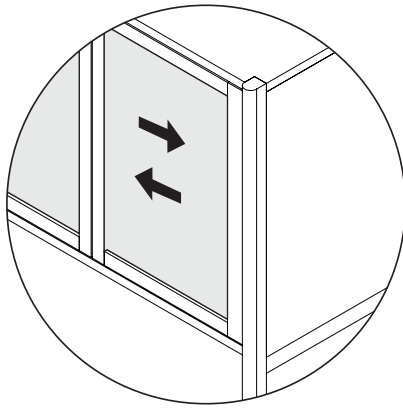
1

! If the door needs adjustment forward or backward:



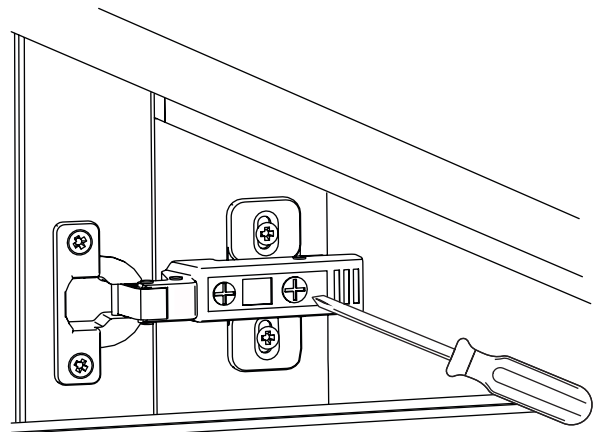
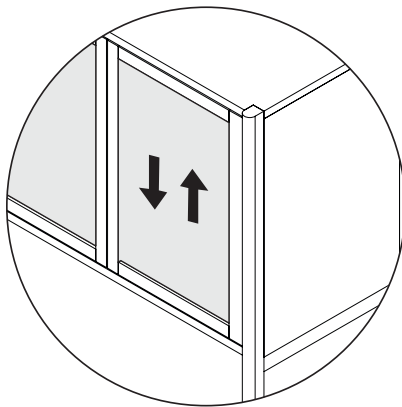
2

! If the door needs adjustment side to side:



3

! If the door is crooked, adjust hinge(s) up or down:





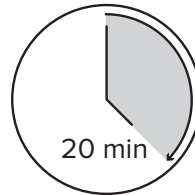
ANTI-TIP RESTRAINT INSTALLATION

WARNING!

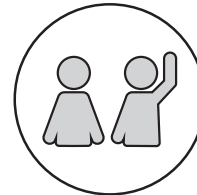
Serious or fatal crushing injuries can occur from furniture tip-over. To help prevent tip-over:

- Install tip-over restraint provided.
- Do not set heavy objects on top of this product, unless the product is specifically designed to accommodate them.
- Never allow children to climb or hang on mirrors, shelves, consoles, or cabinets with doors and/or drawers.

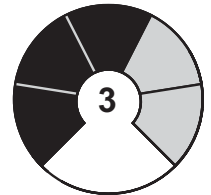
Use of tip-over restraints may only reduce but not eliminate, the risk of tip-over.



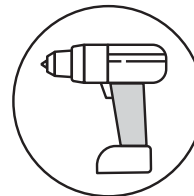
TIME



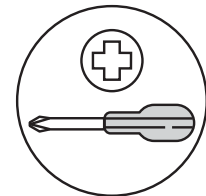
OF PEOPLE



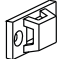
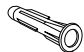

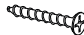

DIFFICULTY



REQUIRED TOOL
8MM / 5/16" DRILL BIT



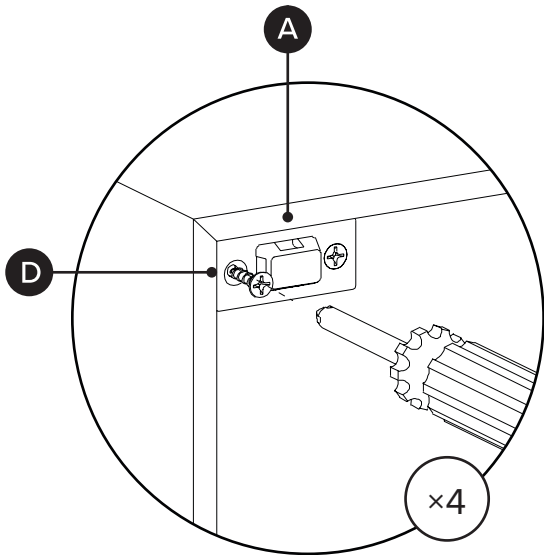
REQUIRED TOOL

PARTS INVENTORY		
ID	DESCRIPTION	QTY
A	BRACKET 	4
B	M8 × 51MM PLUG 	4
C	M8 × 51MM SCREW 	4
D	M4 × 20MM SCREW 	4
E	STRAP 	2



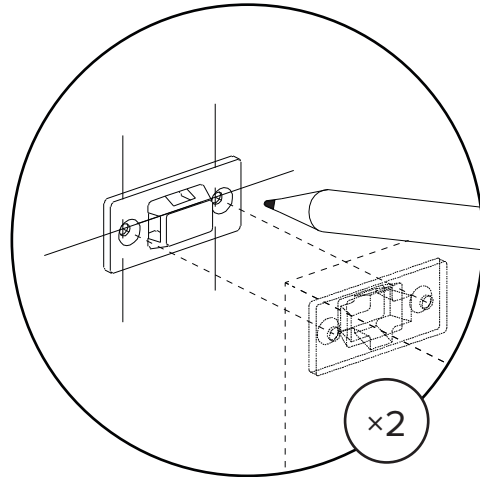
Hardware (B/C) to attach brackets to wall is designed for drywall. To attach this unit to another type of wall, consult with your local hardware store.

1



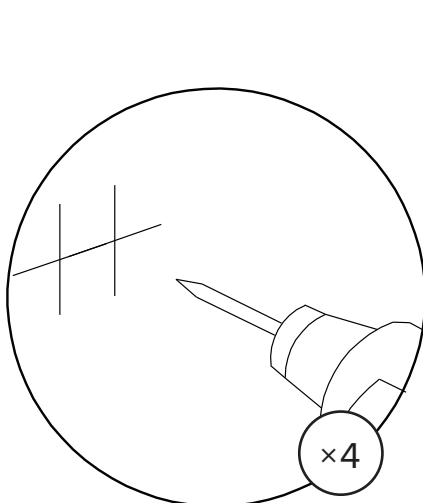
Attach pair of brackets to top corners of the back of the unit. Note there are no existing pilot holes on the product.

2

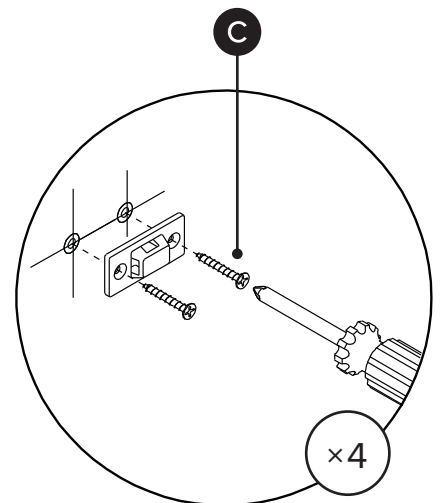
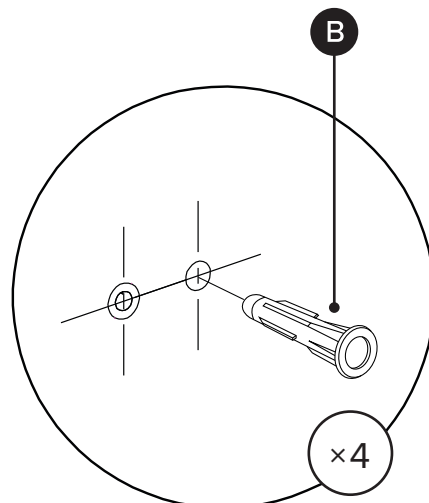


Mark on wall where second pair of brackets should be placed.

3

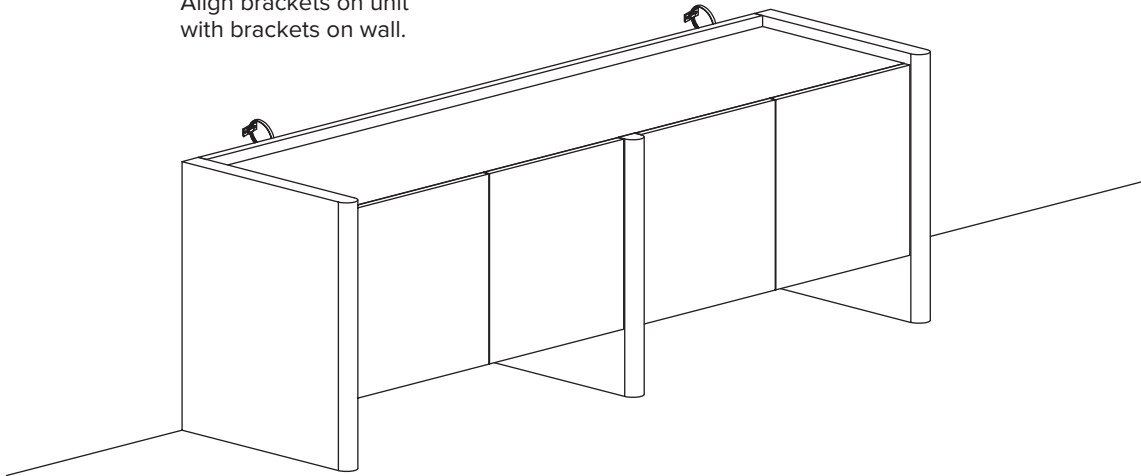


Drill holes in wall using 8mm / 5/16" drill bit.

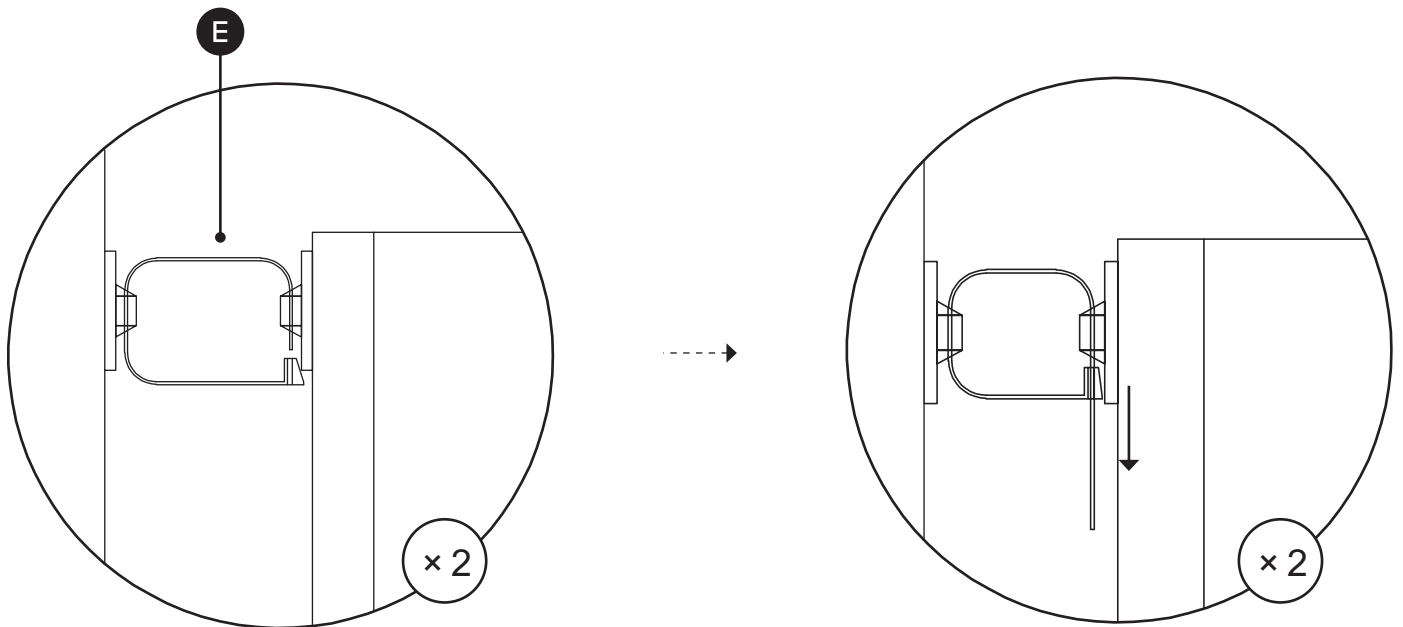


4A

Align brackets on unit
with brackets on wall.



4B



Pull strap down until it snap-locks.