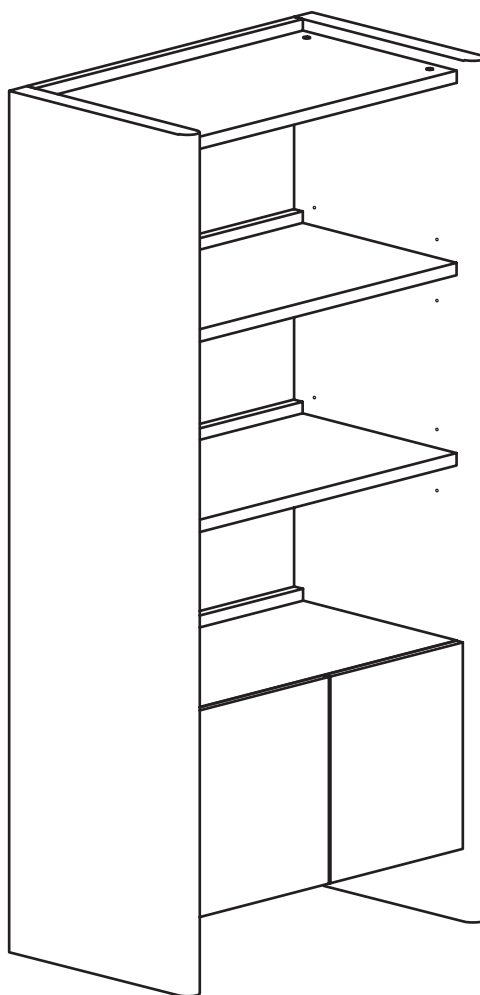


# ARTICLE.

VERSION 2.0

## Assembly Instructions



# TORME

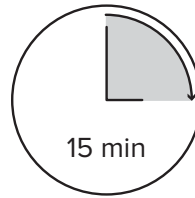
Tall Bookcase

## ASSEMBLY INSTRUCTIONS

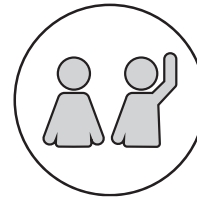
Read these instructions carefully and keep for future reference. Refer to parts inventory for guidance, and ensure you have all pieces before starting.

When assembling, place all parts on a soft, clean, and flat surface such as a carpet to prevent scratches.

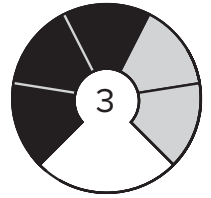
If you're having difficulty, our friendly Customer Care team is always here to help. Call us at **1.888.746.3455** during business hours, email [service@article.com](mailto:service@article.com) or chat live at [article.com](https://www.article.com).



TIME



# OF PEOPLE






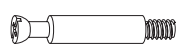




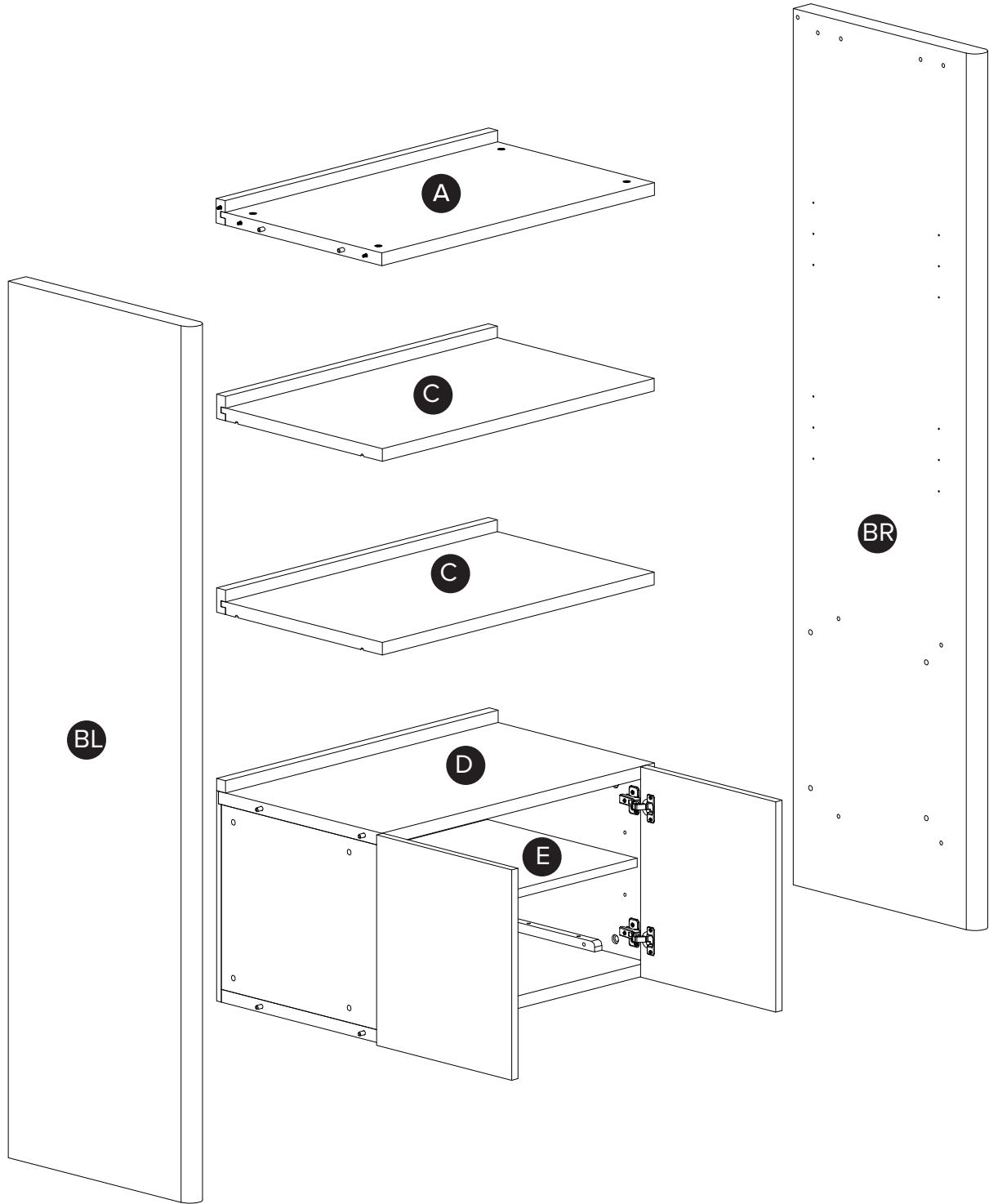
DIFFICULTY



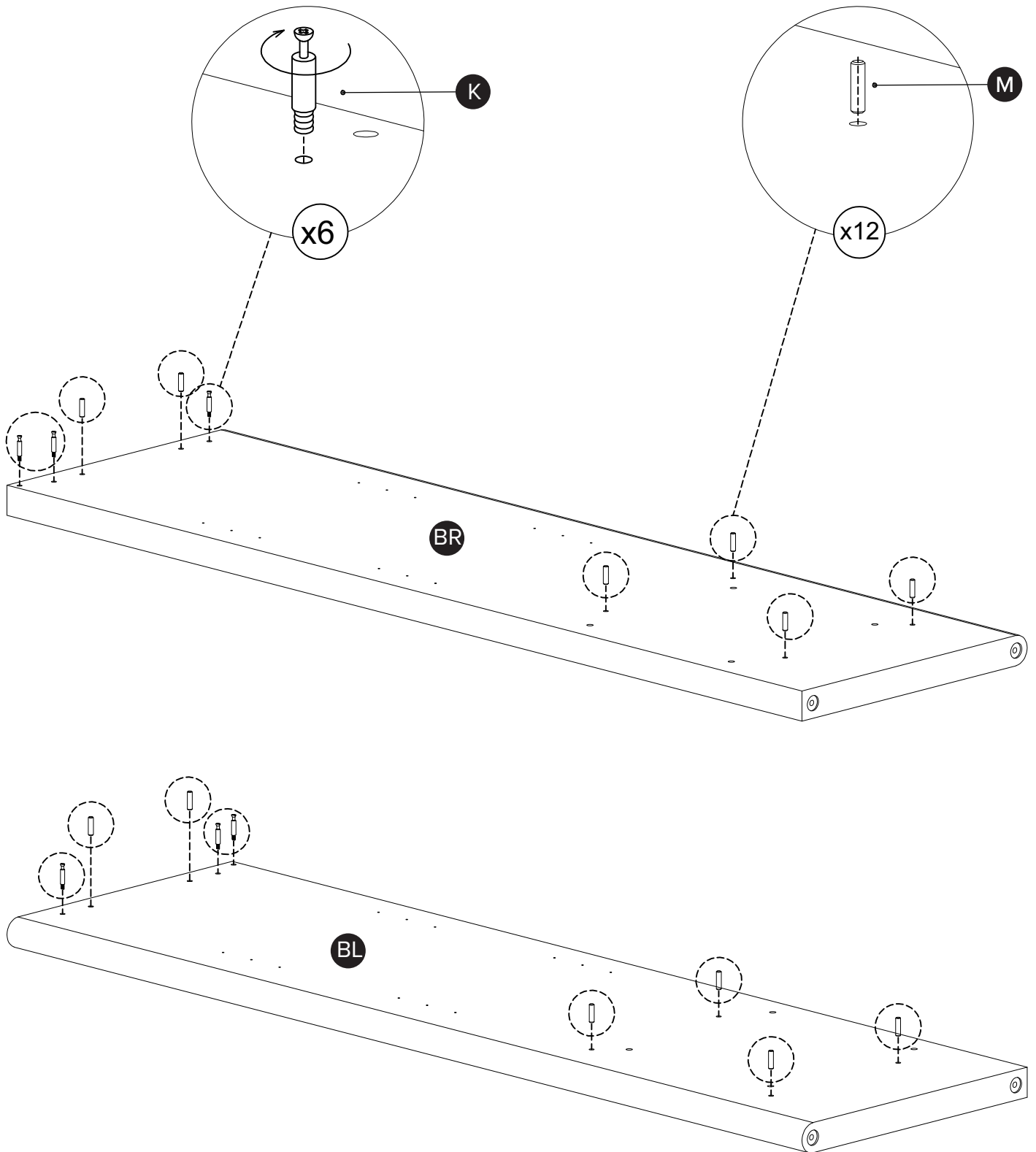
**ANTI-TIP**  
Installation Required

PARTS INVENTORY		
ID	DESCRIPTION	QTY
<b>A</b>	TOP PANEL	1
<b>BL</b>	LEFT SIDE PANEL	1
<b>BR</b>	RIGHT SIDE PANEL	1
<b>C</b>	MID SHELF	2
<b>D</b>	CABINET BOX	1
<b>E</b>	INSIDE SHELF	1

PARTS INVENTORY		
ID	DESCRIPTION	QTY
<b>F</b>	ALLEN KEY 	1
<b>G</b>	M6 x 35MM BOLT 	8
<b>H</b>	M6 LOCK WASHER 	8
<b>I</b>	M6 WASHER 	8
<b>J</b>	CAMLOCK 	6
<b>K</b>	CAM BOLT 	6
<b>L</b>	SHELF PIN 	12
<b>M</b>	WOODEN DOWEL 	12

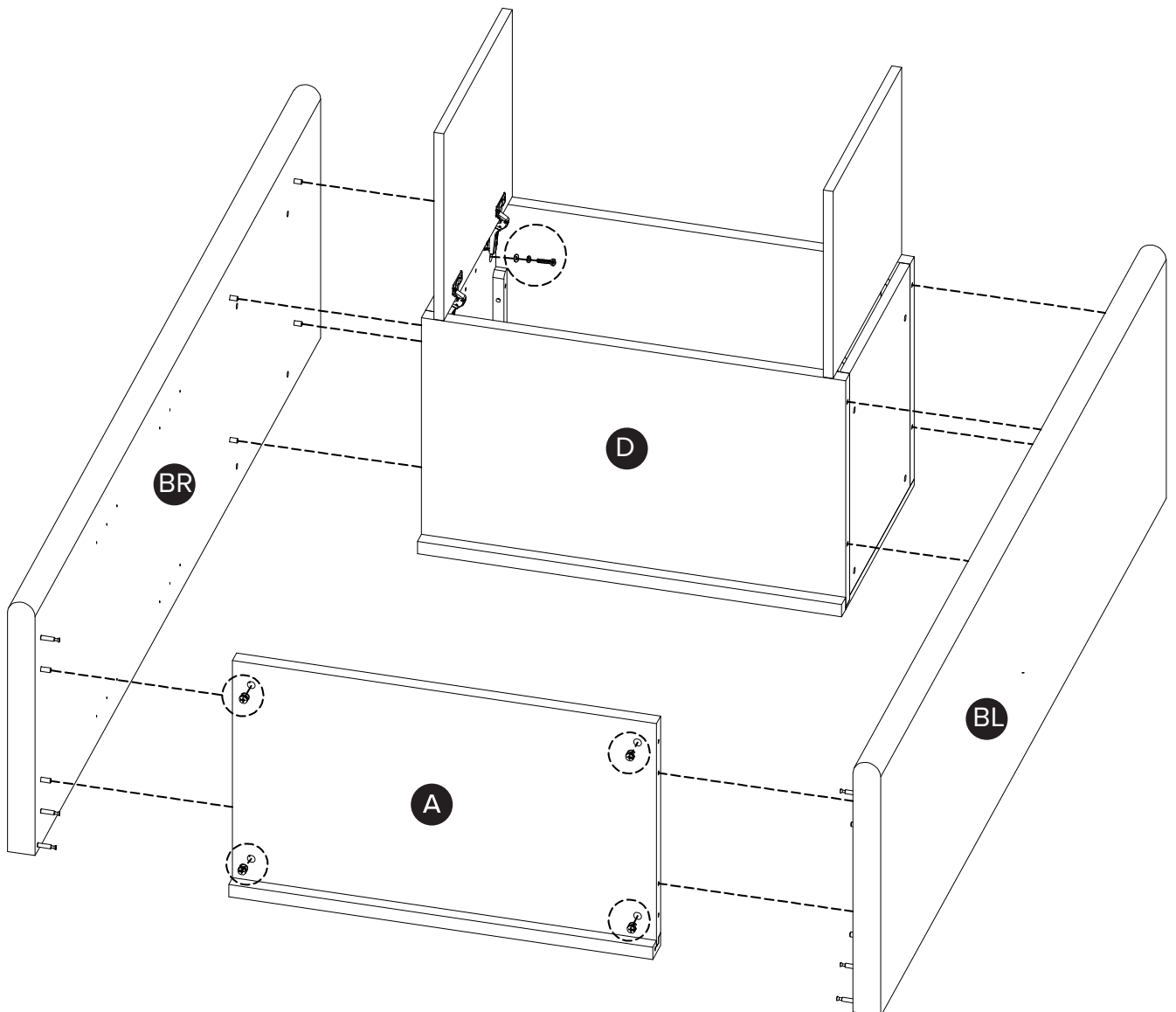
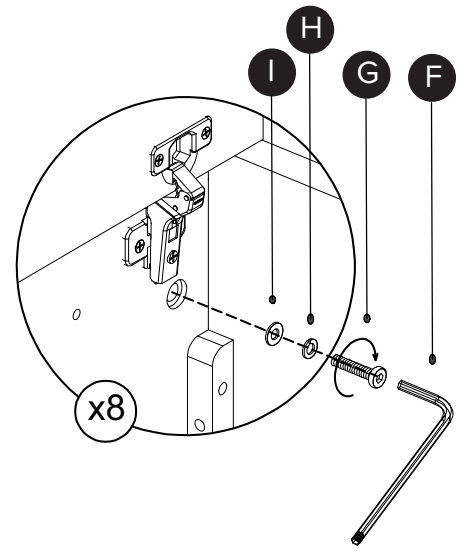
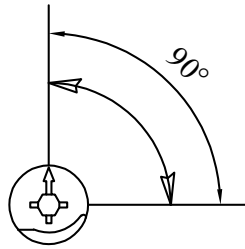
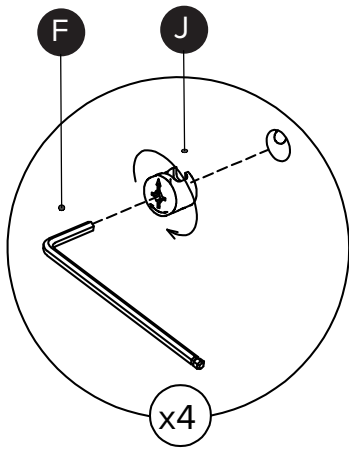


1

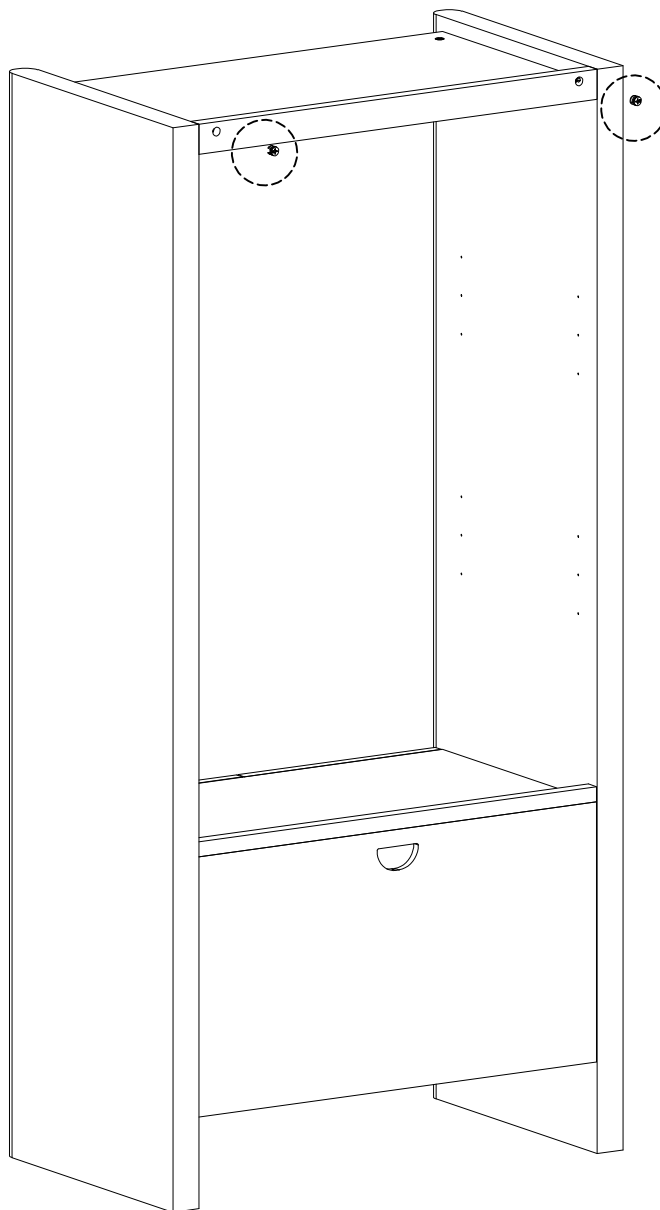
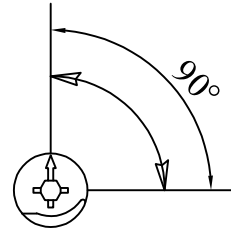
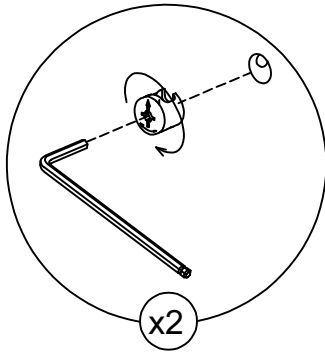


! Please ensure to put components on a flat and soft surface such as a cardboard or a rug.

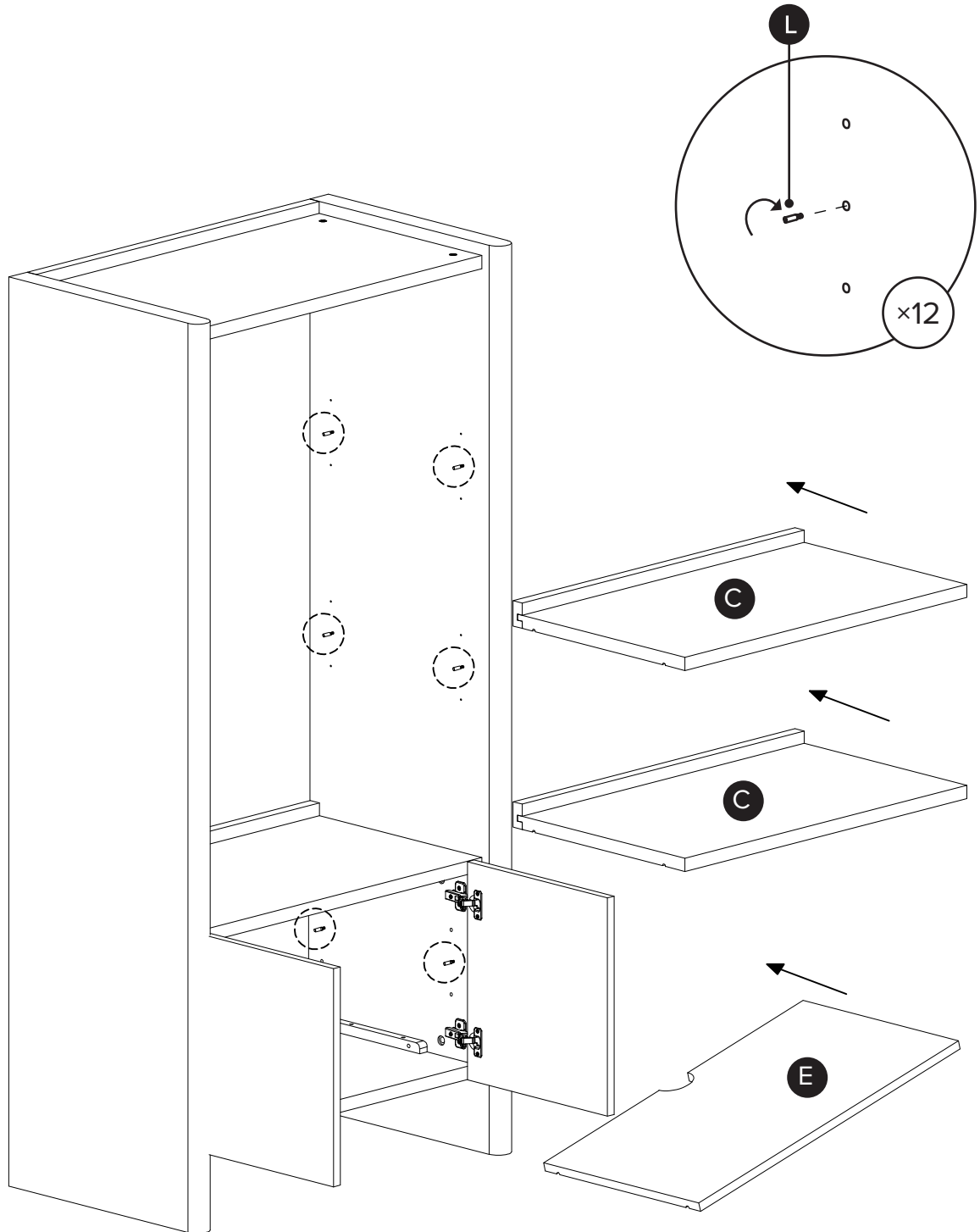
2



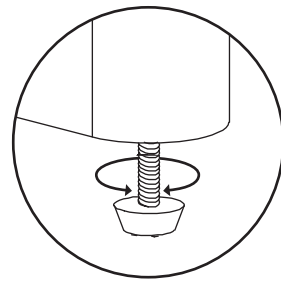
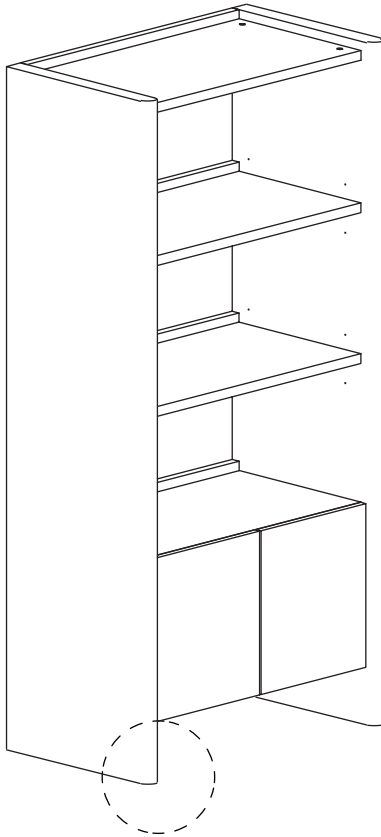
3



4



5

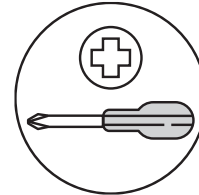


! Adjust levelers as needed.



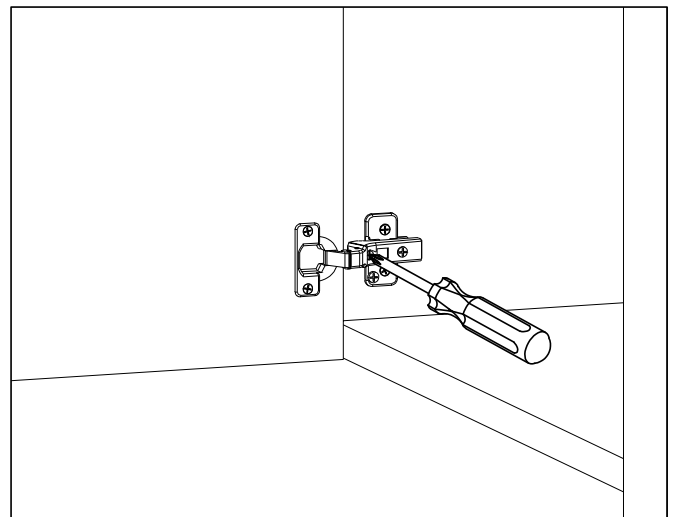
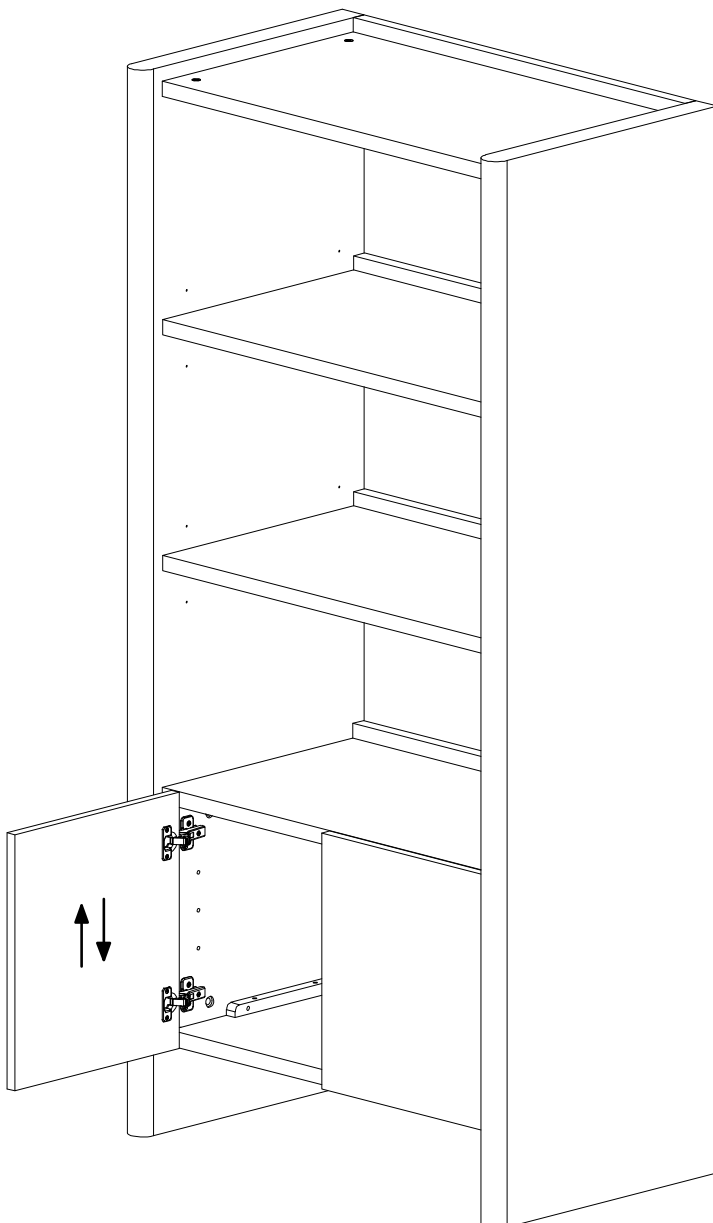
# DOOR ADJUSTMENT INSTRUCTIONS

**!** During shipping, the doors of your cabinet may have shifted slightly. This can easily be corrected by tightening a few screws. Always start by adjusting the top hinge on the affected door.



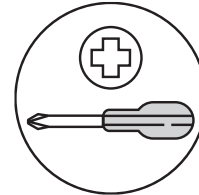
## 1

**!** If the door is crooked, adjust hinge(s) up or down:



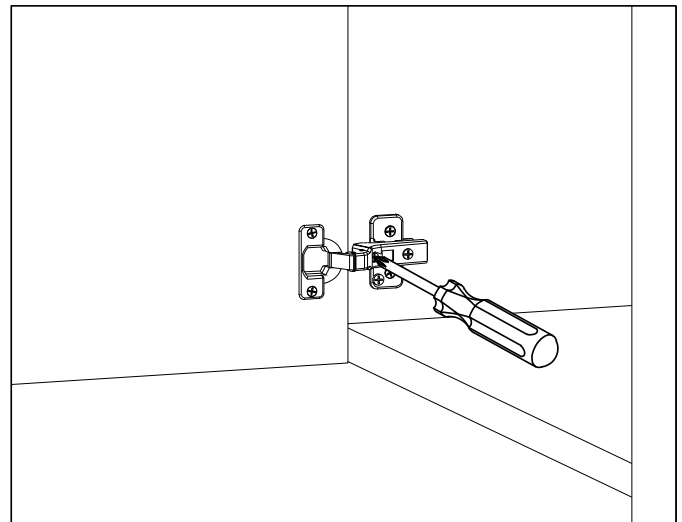
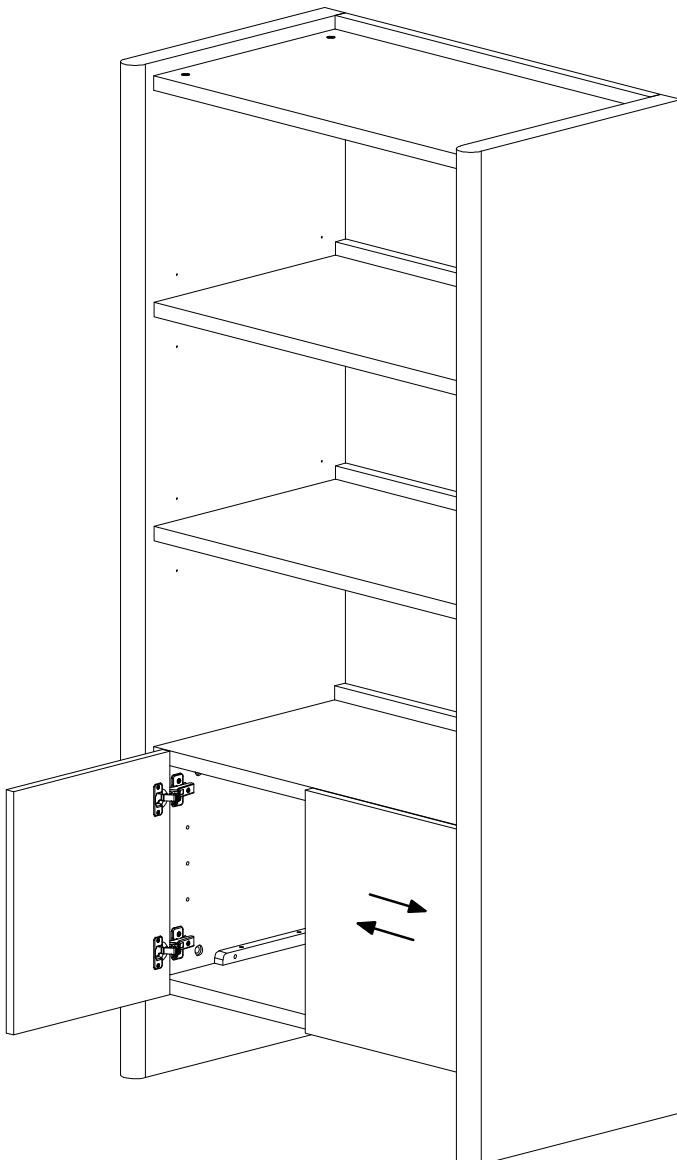
## DOOR ADJUSTMENT INSTRUCTIONS

**!** During shipping, the doors of your cabinet may have shifted slightly. This can easily be corrected by tightening a few screws. Always start by adjusting the top hinge on the affected door.



**2**

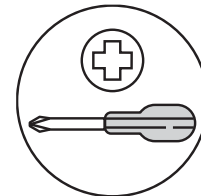
**!** If the door needs adjustment side to side:



## DOOR ADJUSTMENT INSTRUCTIONS



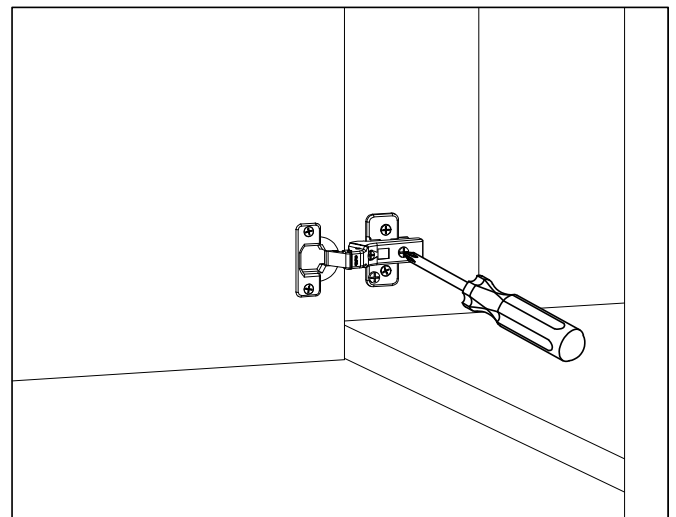
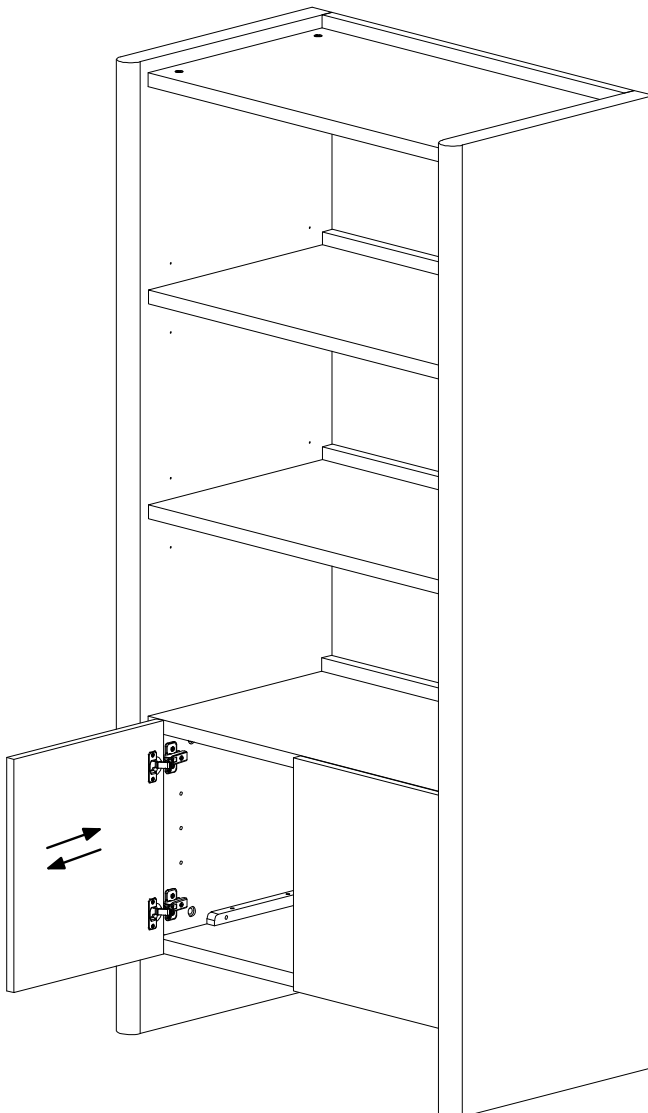
During shipping, the doors of your cabinet may have shifted slightly. This can easily be corrected by tightening a few screws. Always start by adjusting the top hinge on the affected door.



3



If the door needs adjustment forward or backward:





## ANTI-TIP RESTRAINT INSTALLATION

### WARNING!

Serious or fatal crushing injuries can occur from furniture tip-over. To help prevent tip-over:

- Install tip-over restraint provided.
- Do not set heavy objects on top of this product, unless the product is specifically designed to accommodate them.
- Never allow children to climb or hang on mirrors, shelves, consoles, or cabinets with doors and/or drawers.

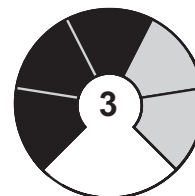
Use of tip-over restraints may only reduce but not eliminate, the risk of tip-over.



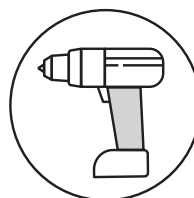
TIME



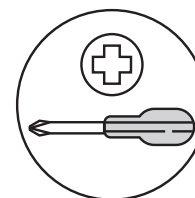
# OF PEOPLE



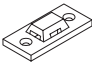


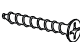

DIFFICULTY




REQUIRED TOOL  
8MM / 5/16" DRILL BIT



REQUIRED TOOL

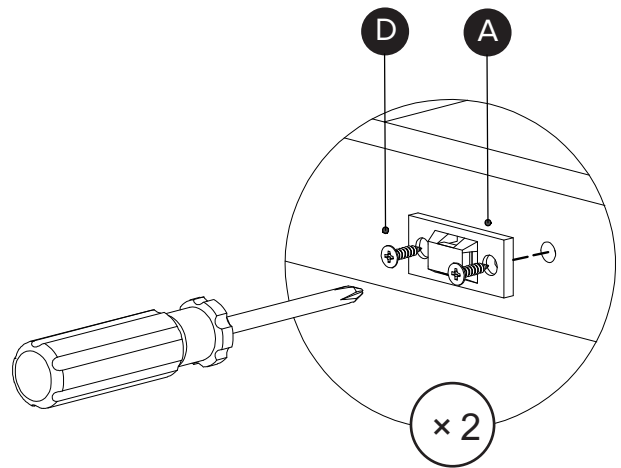
PARTS INVENTORY		
ID	DESCRIPTION	QTY
<b>A</b>	BRACKET 	4
<b>B</b>	M8 × 51MM PLUG 	4
<b>C</b>	M8 × 51MM SCREW 	4
<b>D</b>	M4 × 20MM SCREW 	4
<b>E</b>	STRAP 	2

 Hardware (B/C) to attach brackets to wall is designed for drywall. To attach this unit to another type of wall, consult with your local hardware store.

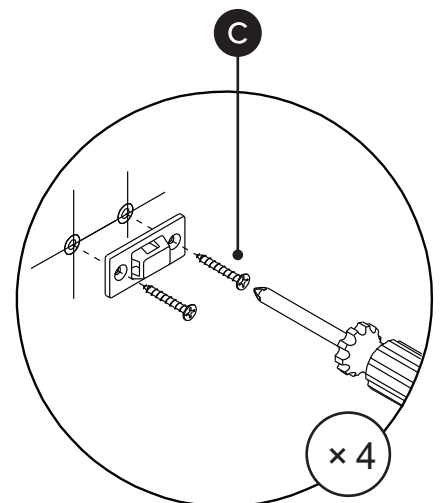
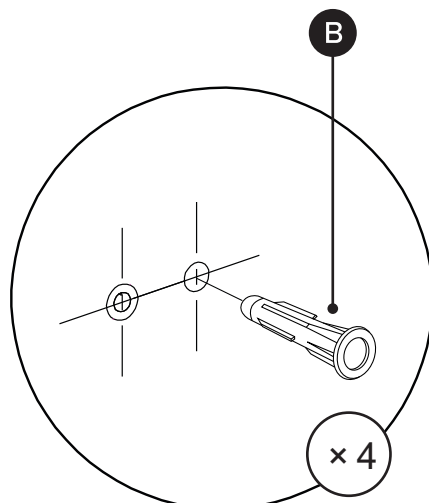
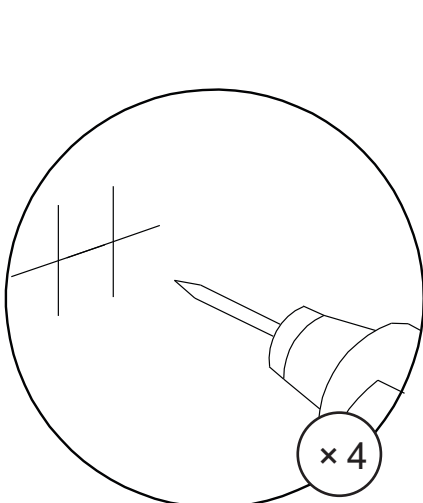
1



2



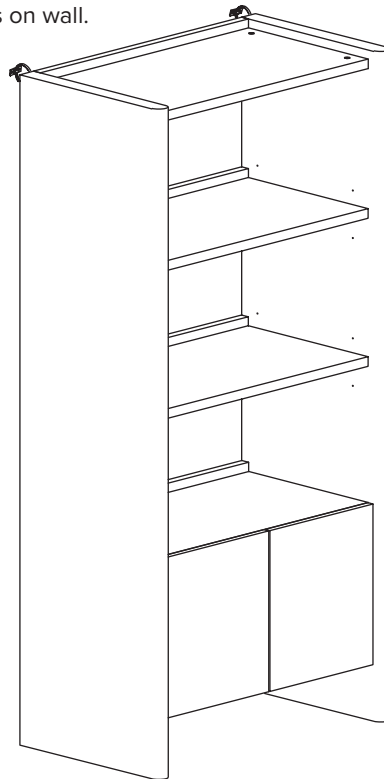
3



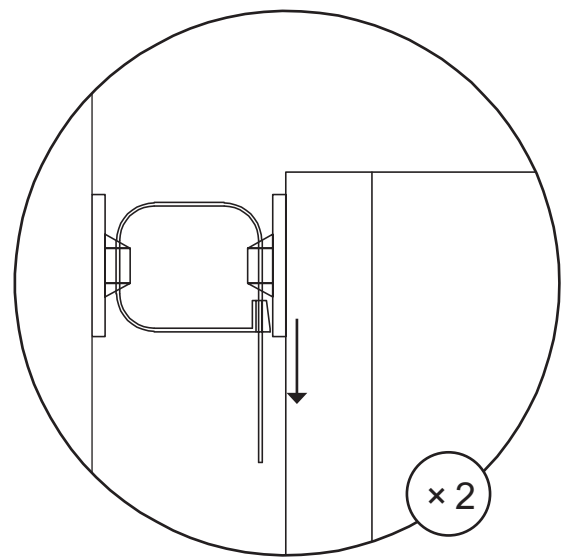
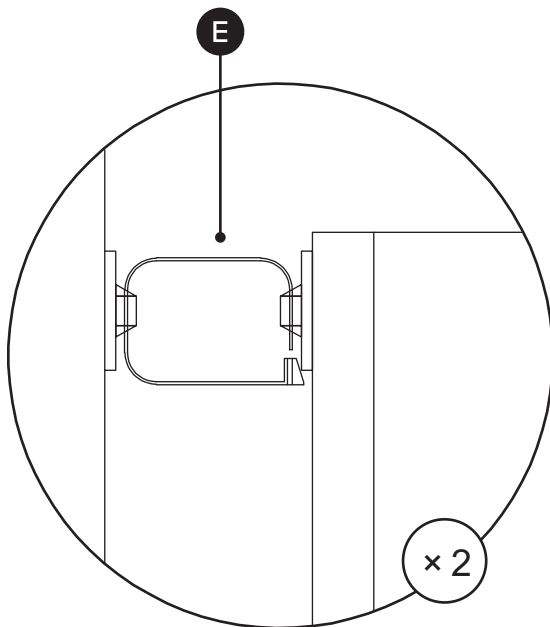
Drill holes in wall using  
8mm / 5/16" drill bit.

4A

Align brackets on unit with brackets on wall.



4B



Pull strap down until it snap-locks.