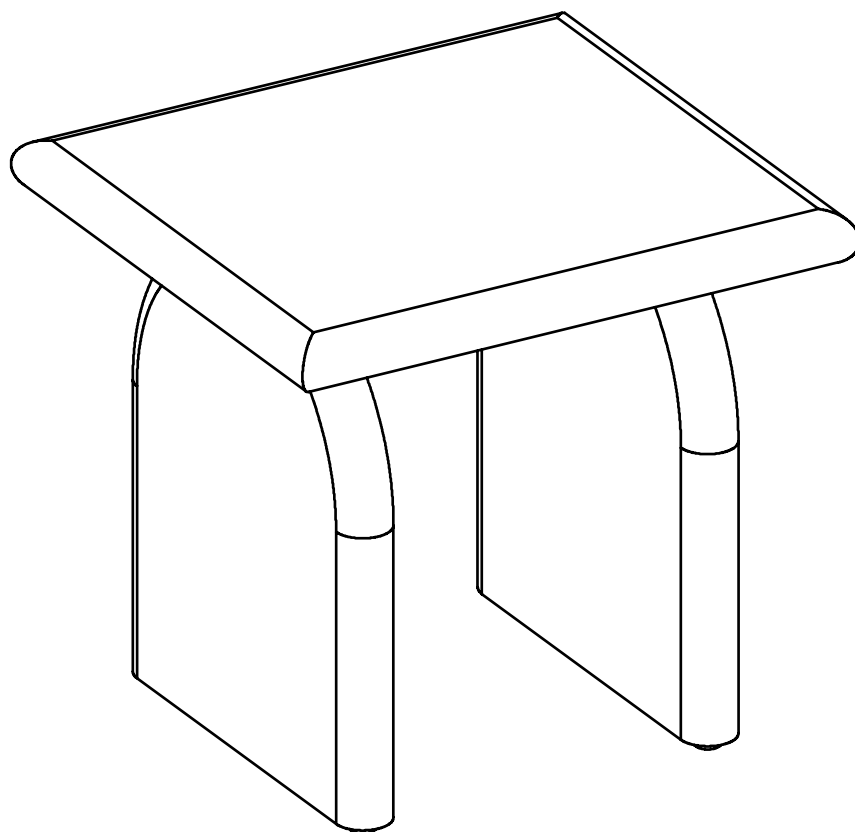


ARTICLE.

VERSION 1.0

Assembly Instructions



LLOYD

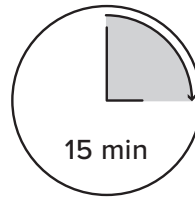
Side Table

ASSEMBLY INSTRUCTIONS

Read these instructions carefully and keep for future reference. Refer to parts inventory for guidance, and ensure you have all pieces before starting.

When assembling, place all parts on a soft, clean, and flat surface such as a carpet to prevent scratches.

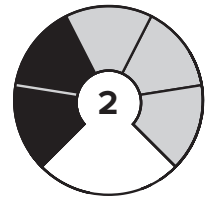
If you're having difficulty, our friendly Customer Care team is always here to help. Call us at **1.888.746.3455** during business hours, email service@article.com or chat live at [article.com](https://www.article.com).



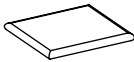

TIME

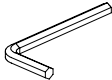





OF PEOPLE

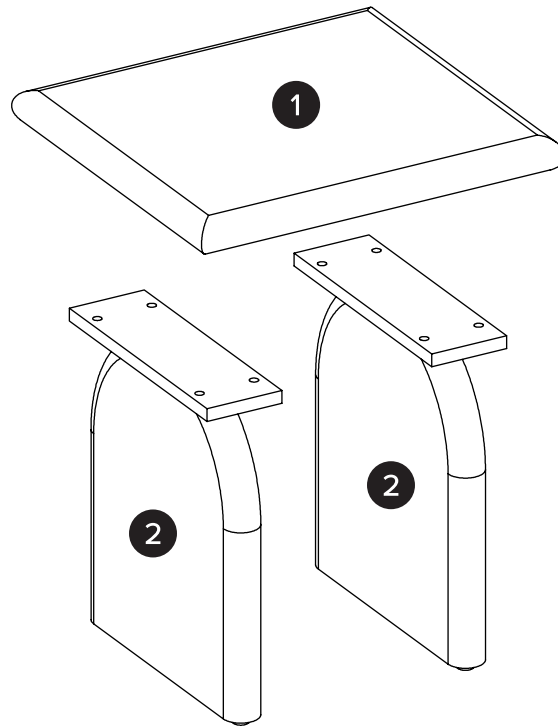


DIFFICULTY

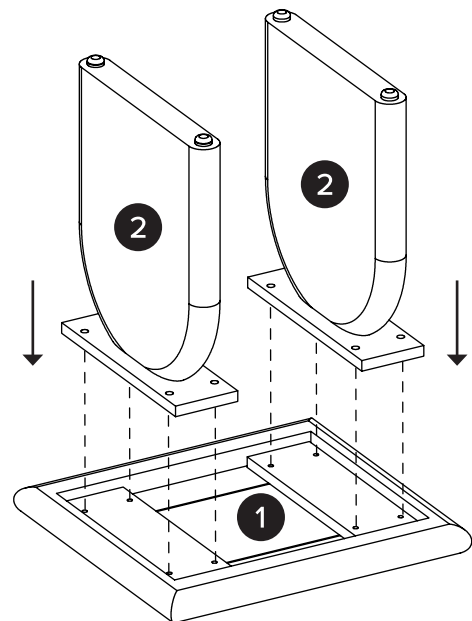
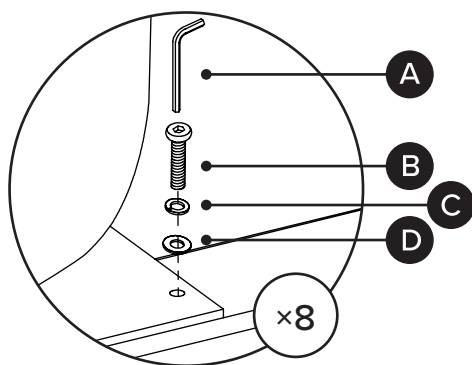
PARTS INVENTORY		
ID	DESCRIPTION	QTY
1	TABLE TOP 	1
2	LEG 	2

PARTS INVENTORY		
ID	DESCRIPTION	QTY
A	ALLEN KEY 	1
B	M8 x 40MM BOLT 	8
C	LOCK WASHER 	8
D	WASHER 	8

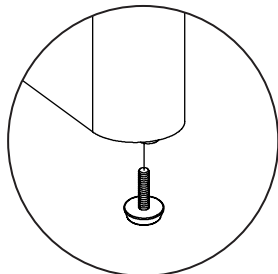
i



1



2



⚠ Adjust leveler to balance the products.

