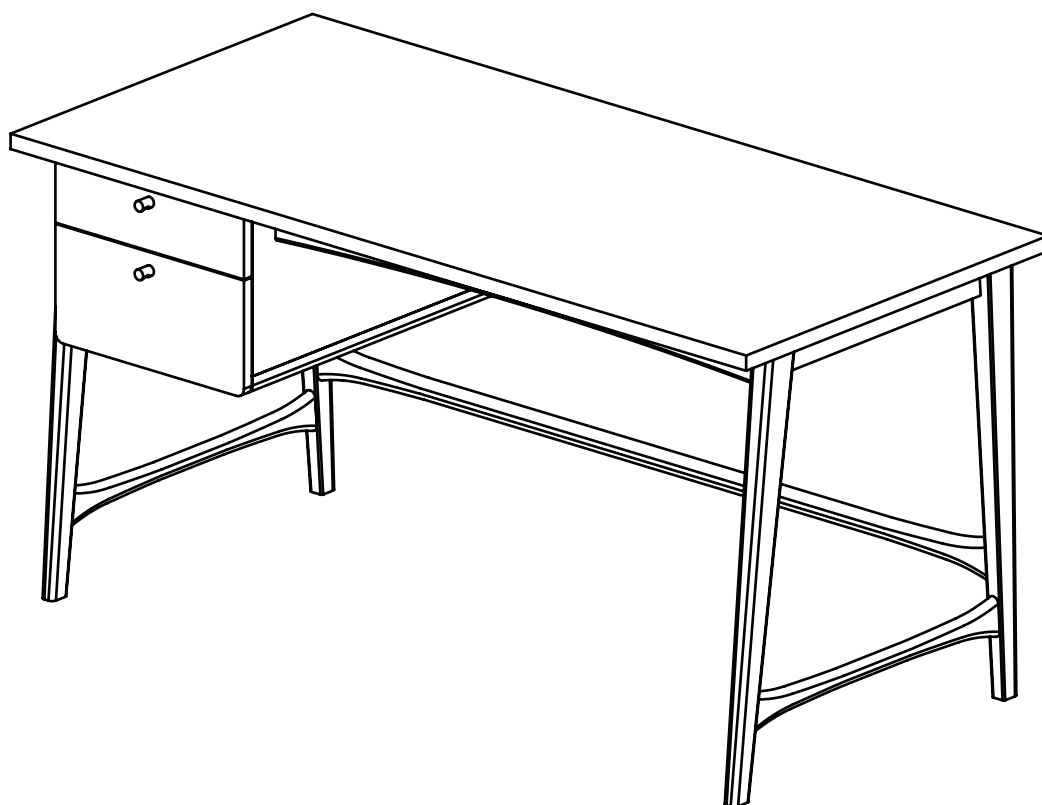


ARTICLE.

VERSION 2.1

Assembly Instructions



KROSSA

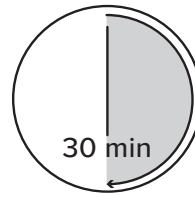
Desk

ASSEMBLY INSTRUCTIONS

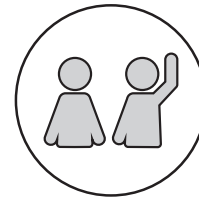
Read these instructions carefully and keep for future reference. Refer to parts inventory for guidance, and ensure you have all pieces before starting.

When assembling, place all parts on a soft, clean, and flat surface such as a carpet to prevent scratches.

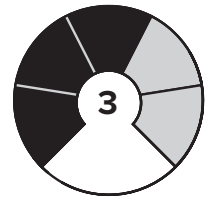
If you're having difficulty, our friendly Customer Care team is always here to help. Call us at **1.888.746.3455** during business hours, email service@article.com or chat live at article.com.



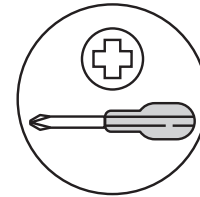
TIME



OF PEOPLE



DIFFICULTY

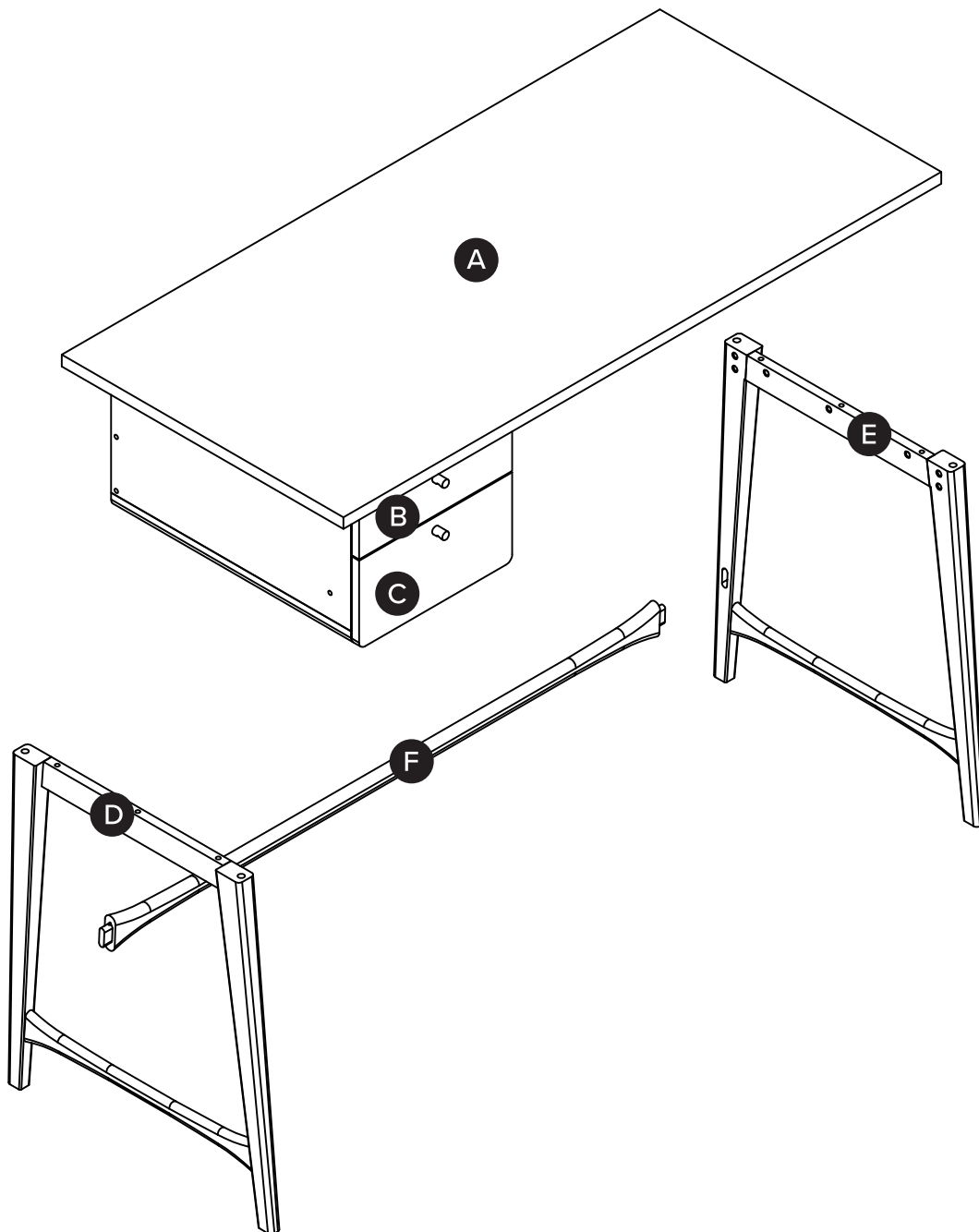


REQUIRED TOOL

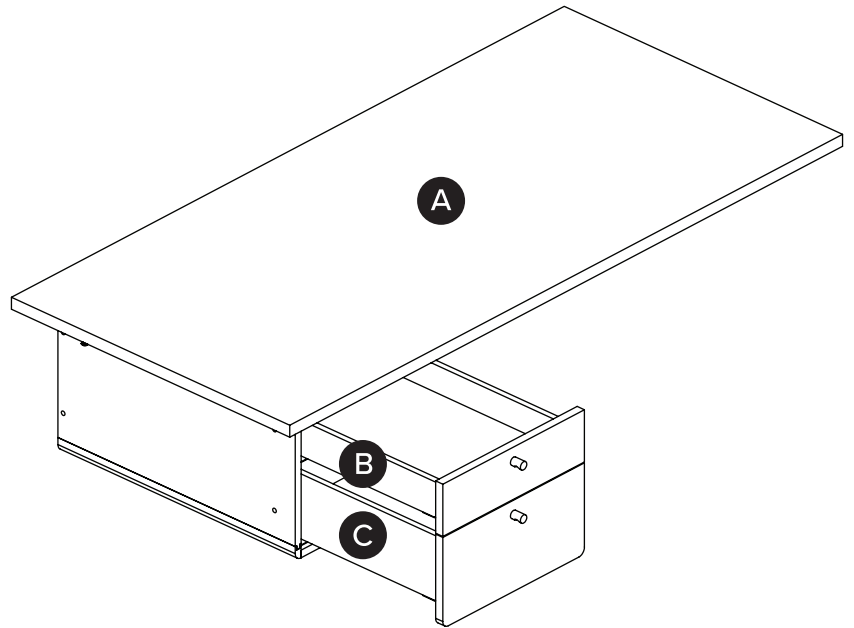
All bolts at each step must be 80%.
Ensure desk is leveled before tightening at 100% to avoid wobbling.

PARTS INVENTORY		
ID	DESCRIPTION	QTY
A	TABLE TOP	1
B	DRAWER TOP	1
C	DRAWER BOTTOM	1
D	LEFT LEG FRAME	1
E	RIGHT LEG FRAME	1
F	REAR SUPPORT BAR	1

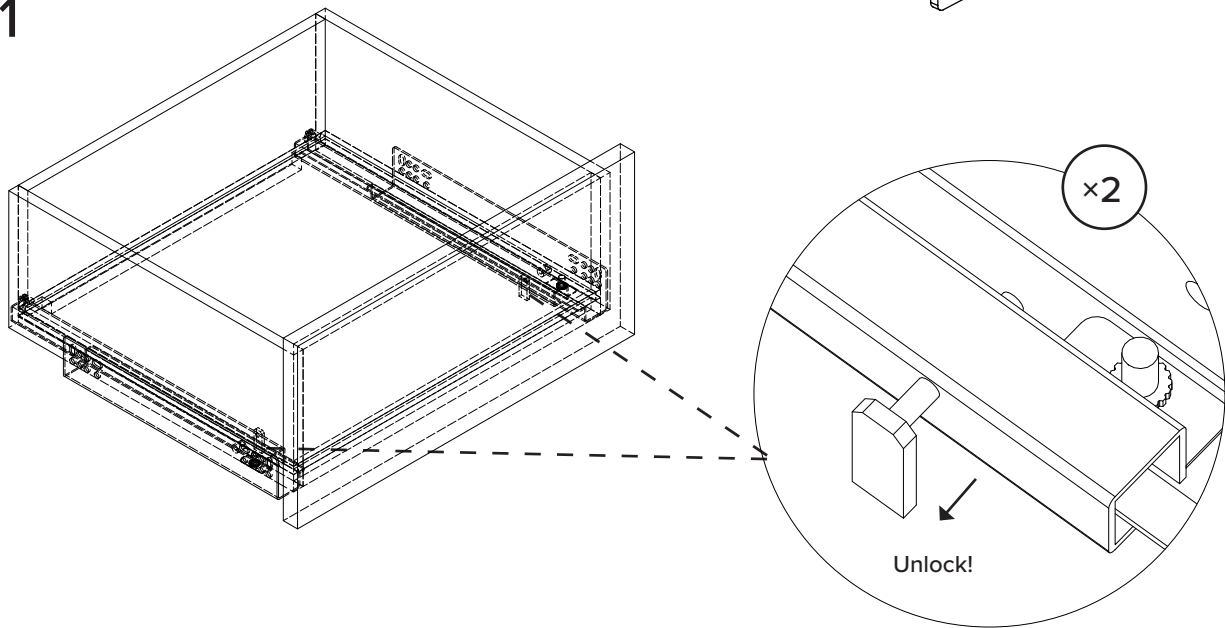
PARTS INVENTORY CONT.		
ID	DESCRIPTION	QTY
G	WOOD DOWEL	4
H	M6 × 60MM BOLT	10
I	ALLEN KEY	1
J	FELT PAD	3
K	M6 × 30MM BOLT	8
L	M4 × 50MM SCREW	2
M	CRESCENT WASHER	4



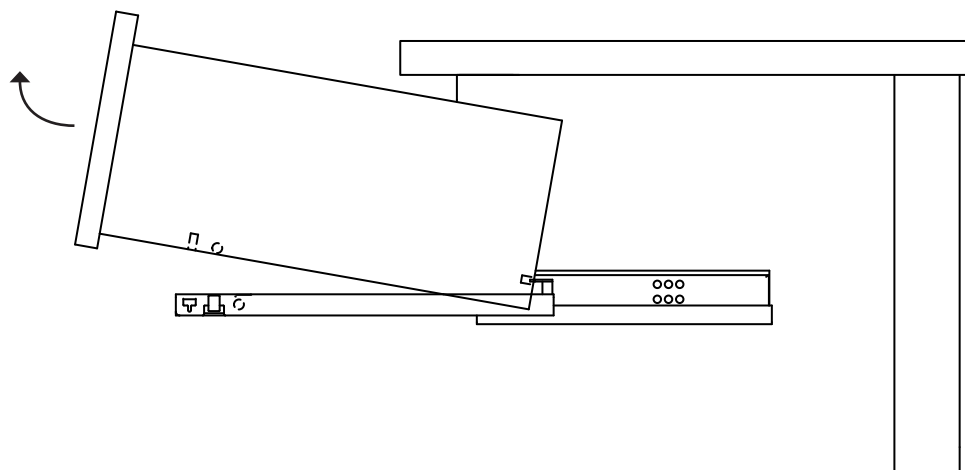
1



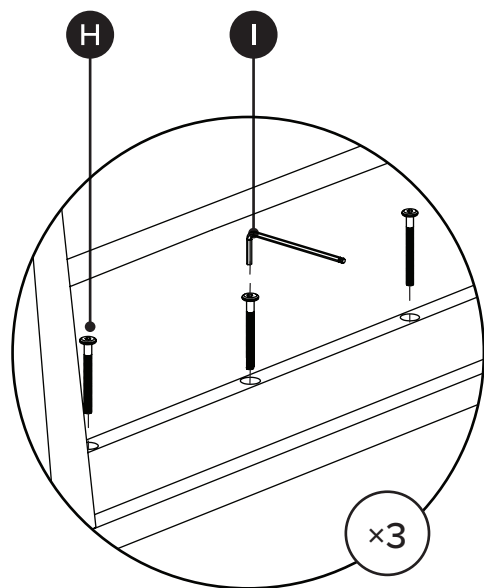
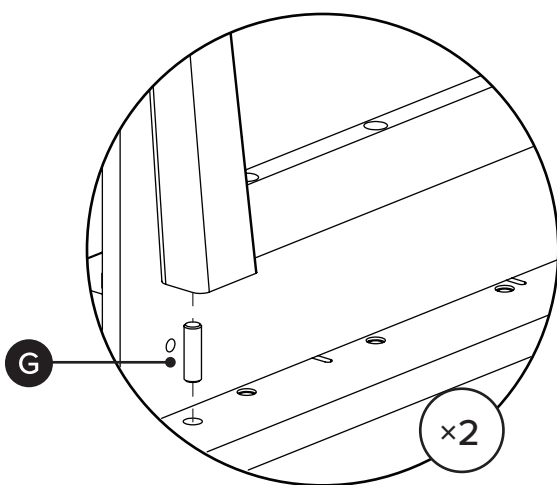
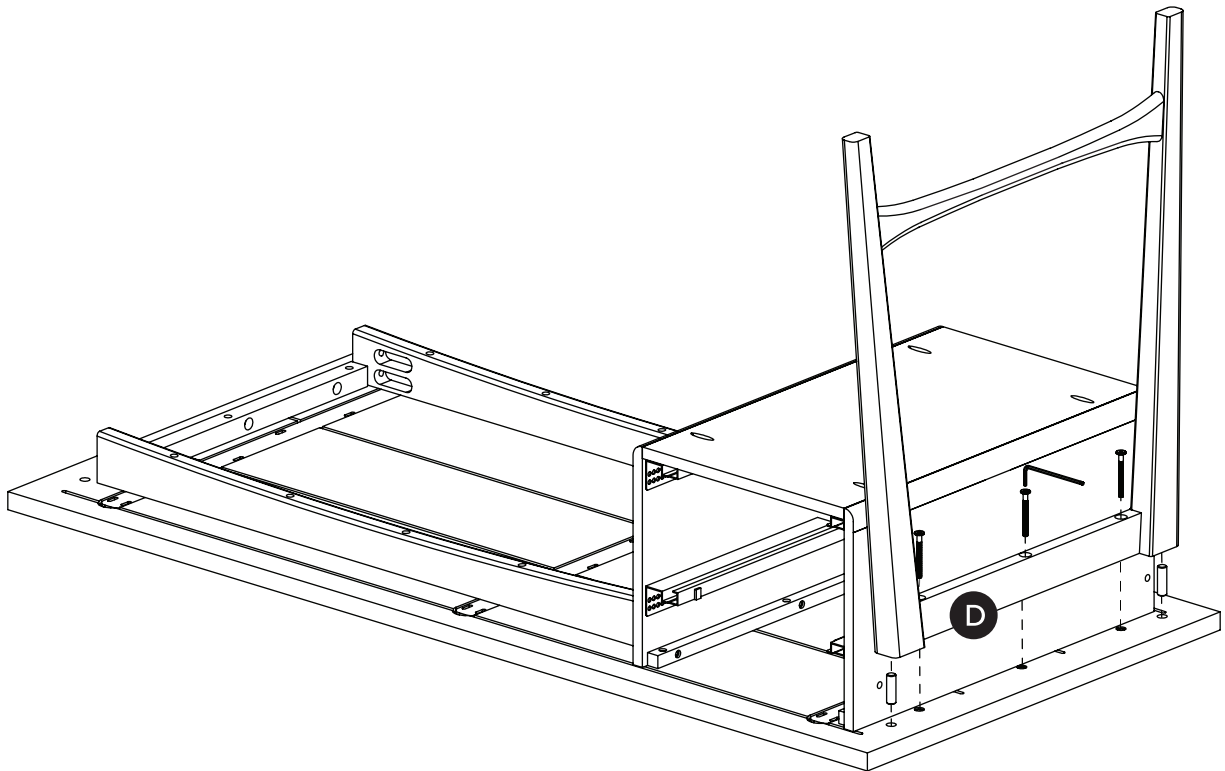
1.1



1.2

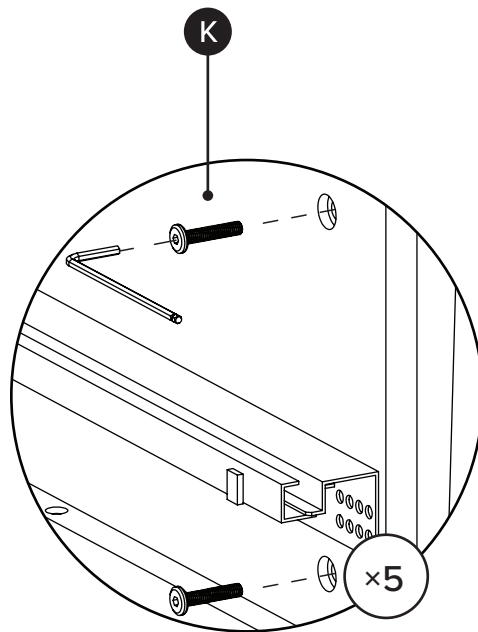
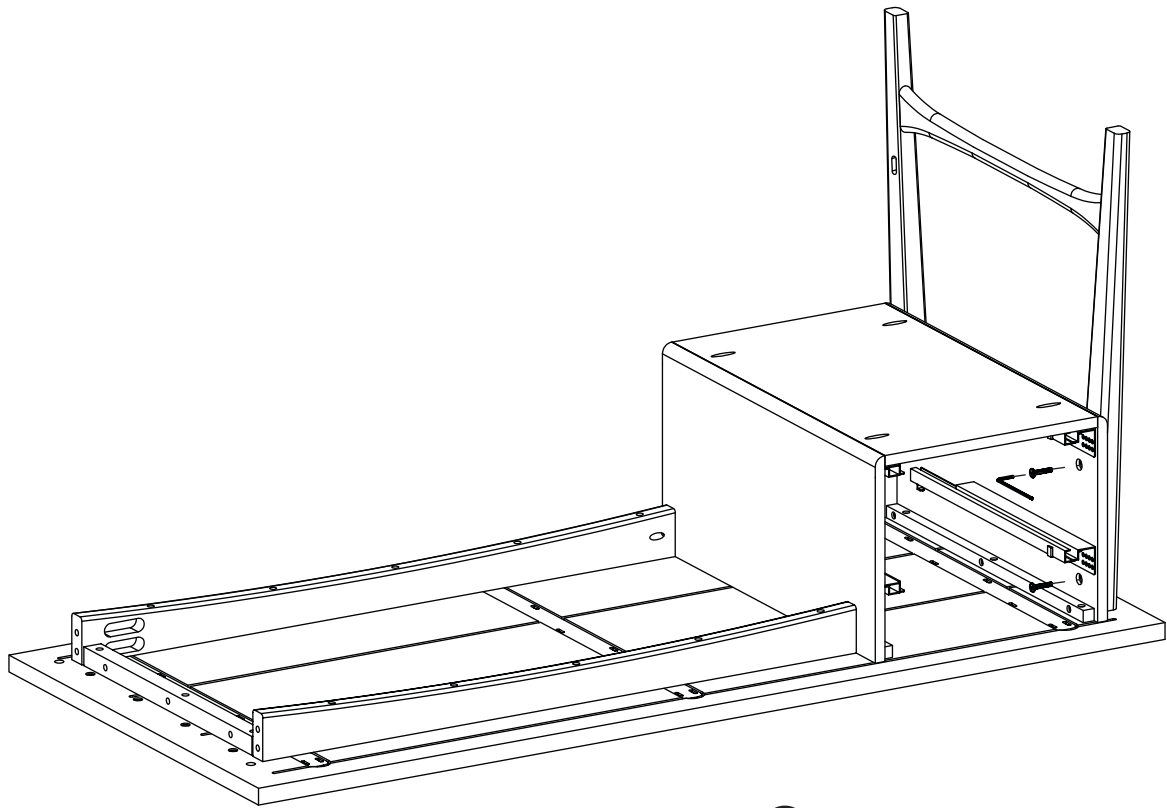


2



Tighten bolt 80%

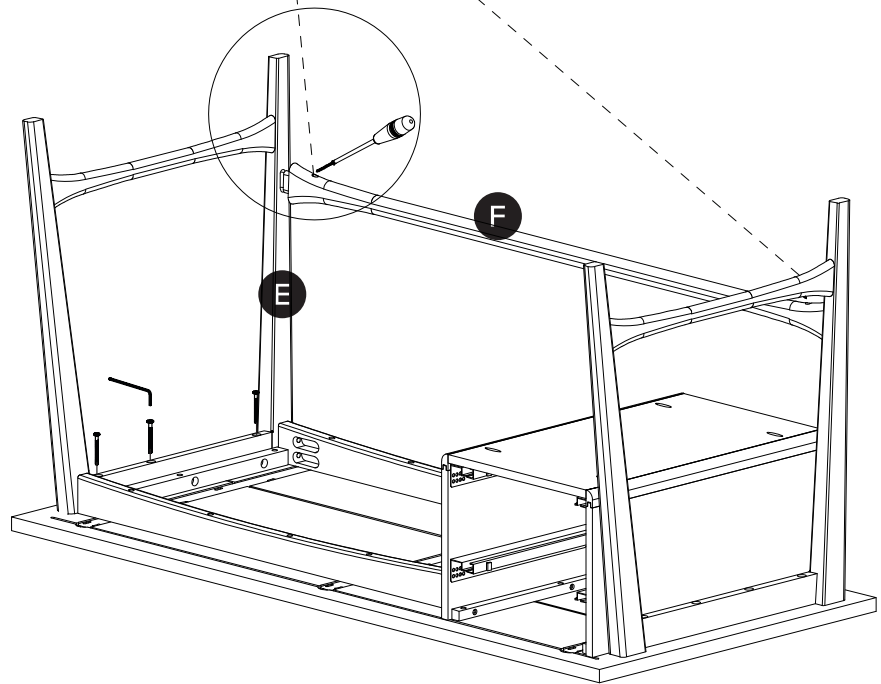
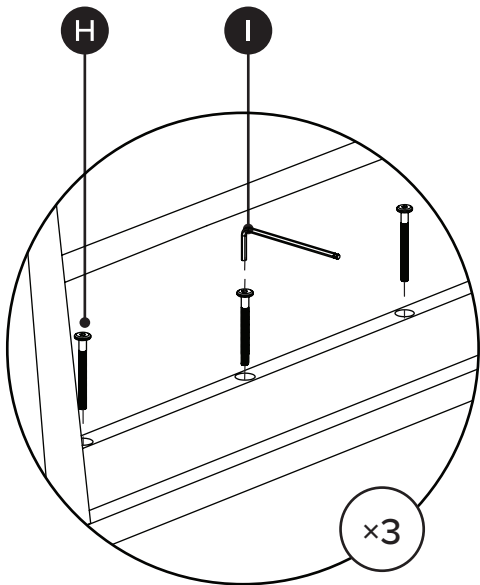
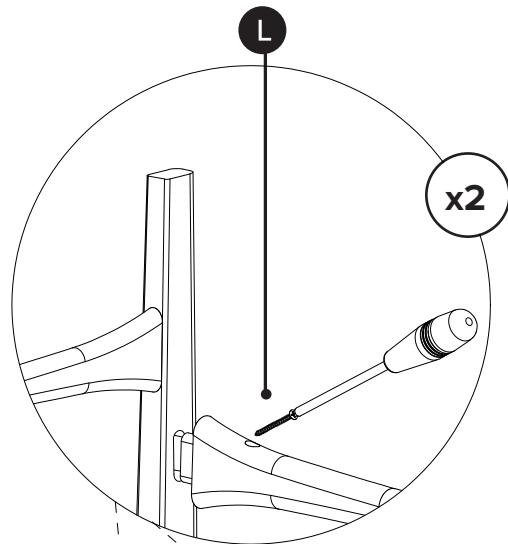
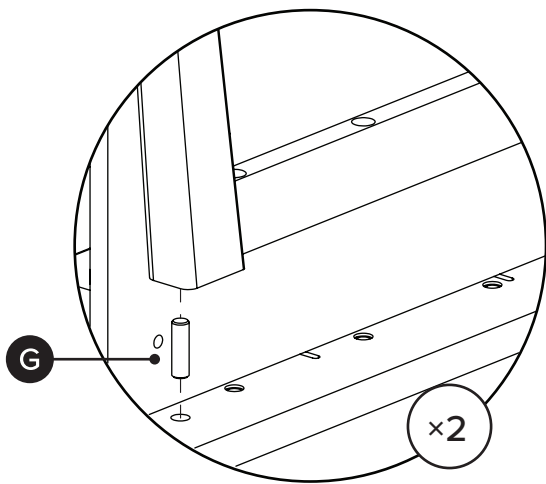
3



Tighten bolt 80%

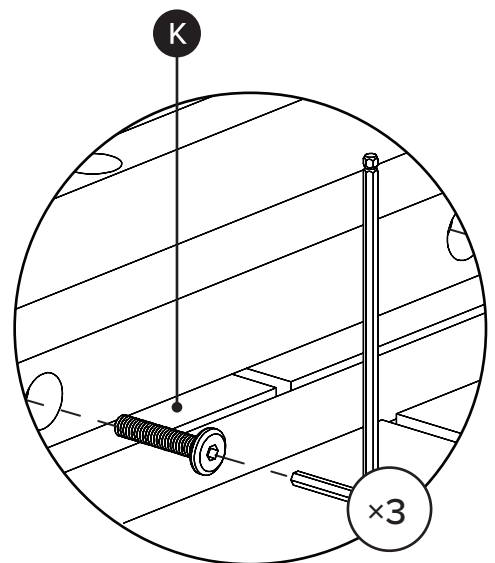
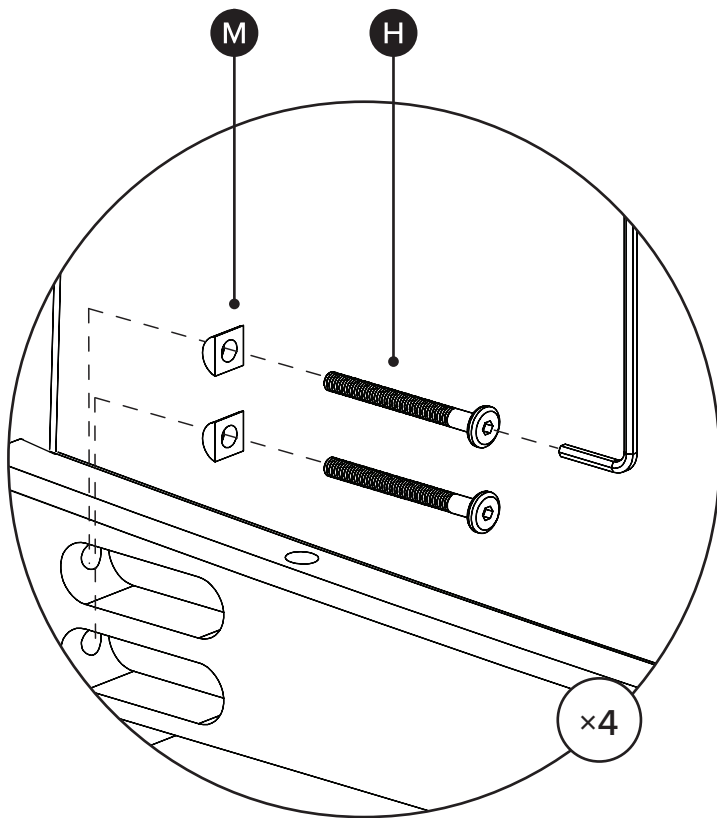
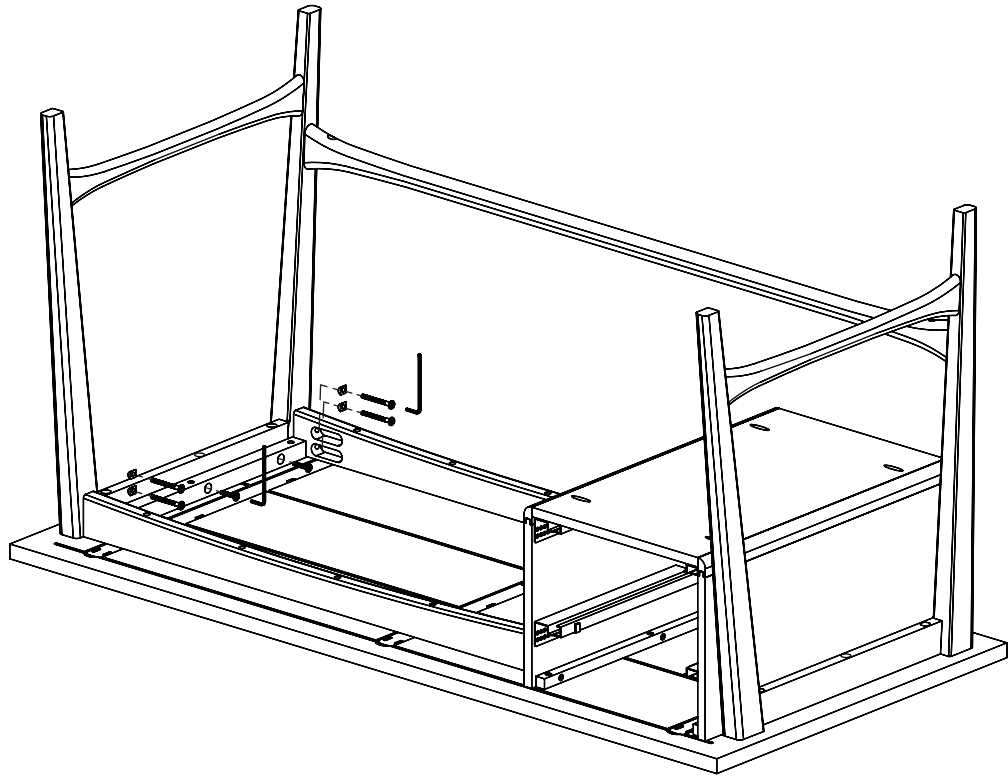
4

! Attach legs (E) and (D), and rear support bar (F), first before secure table top (A) with screw (L).



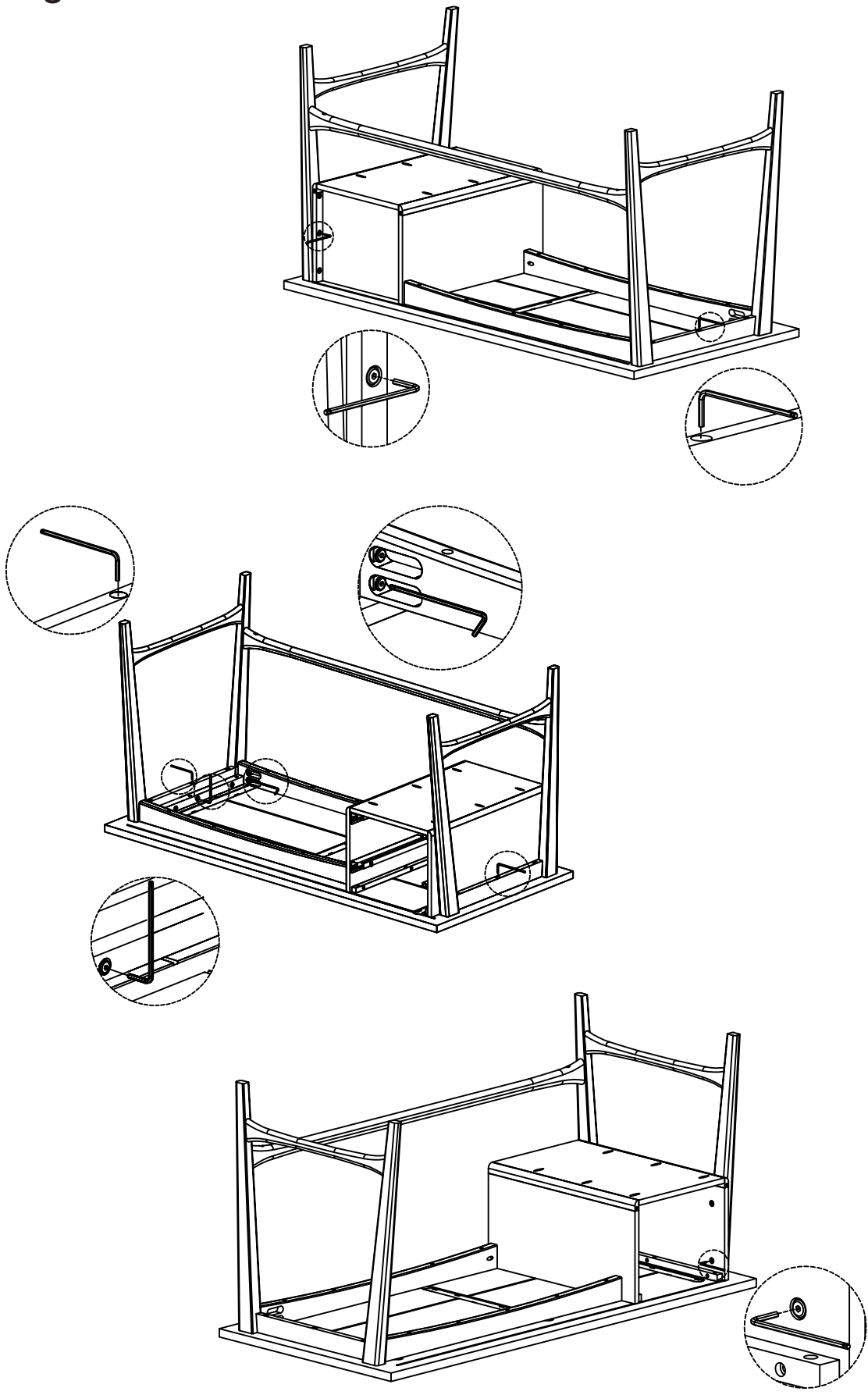
Tighten bolt 80%

5

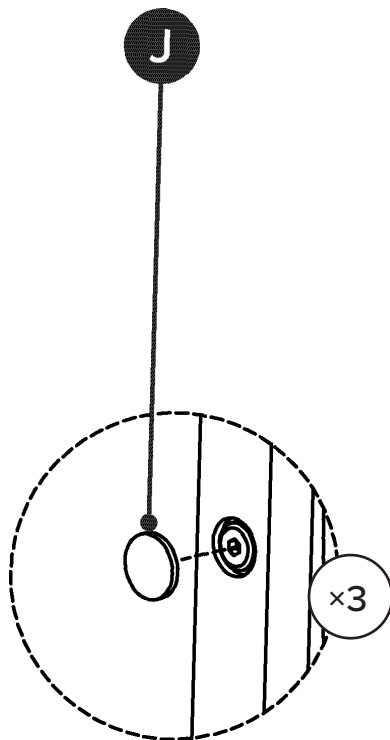
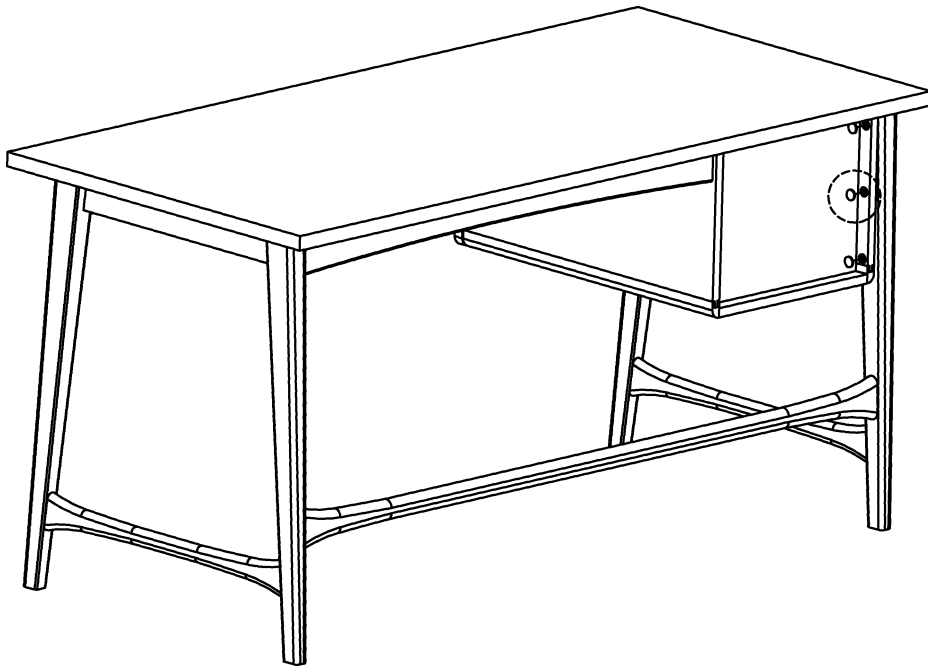


6

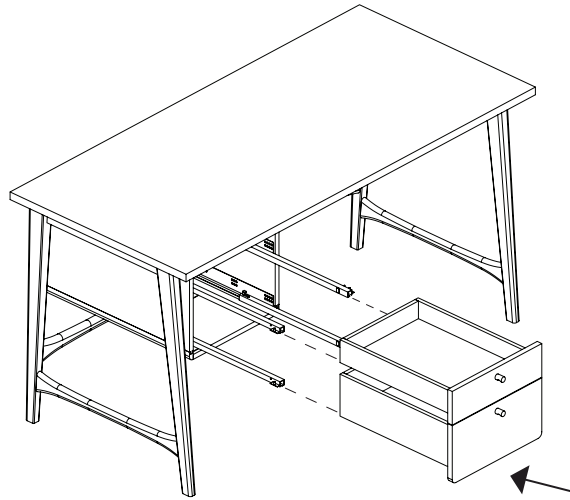
Tighten bolt 100%



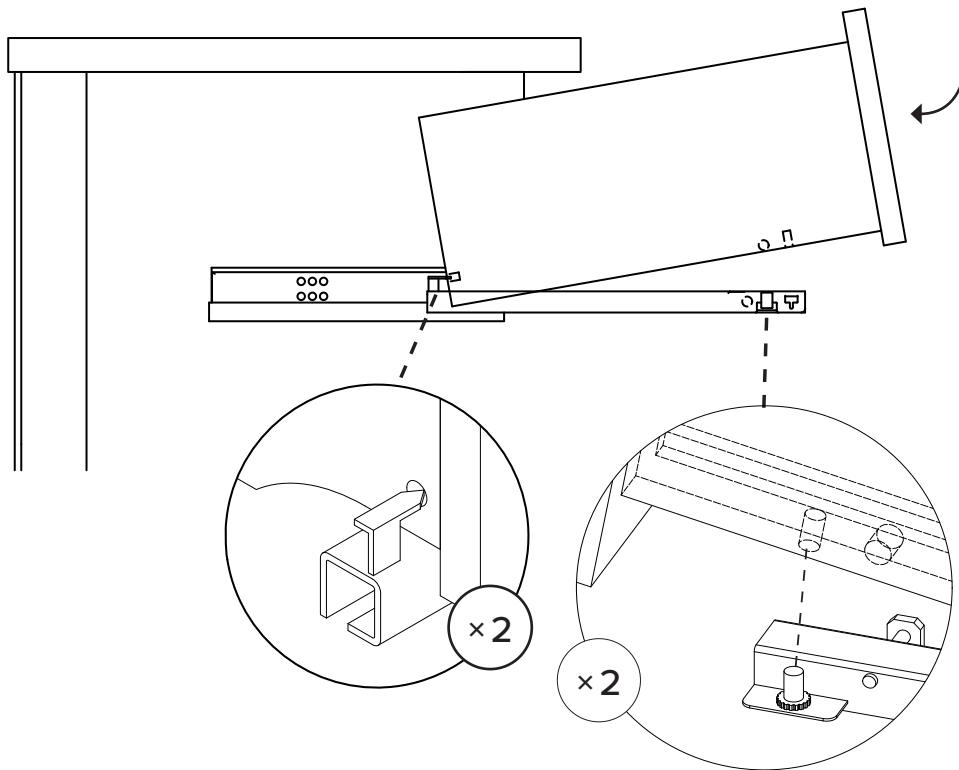
7



8



8.1



8.2

