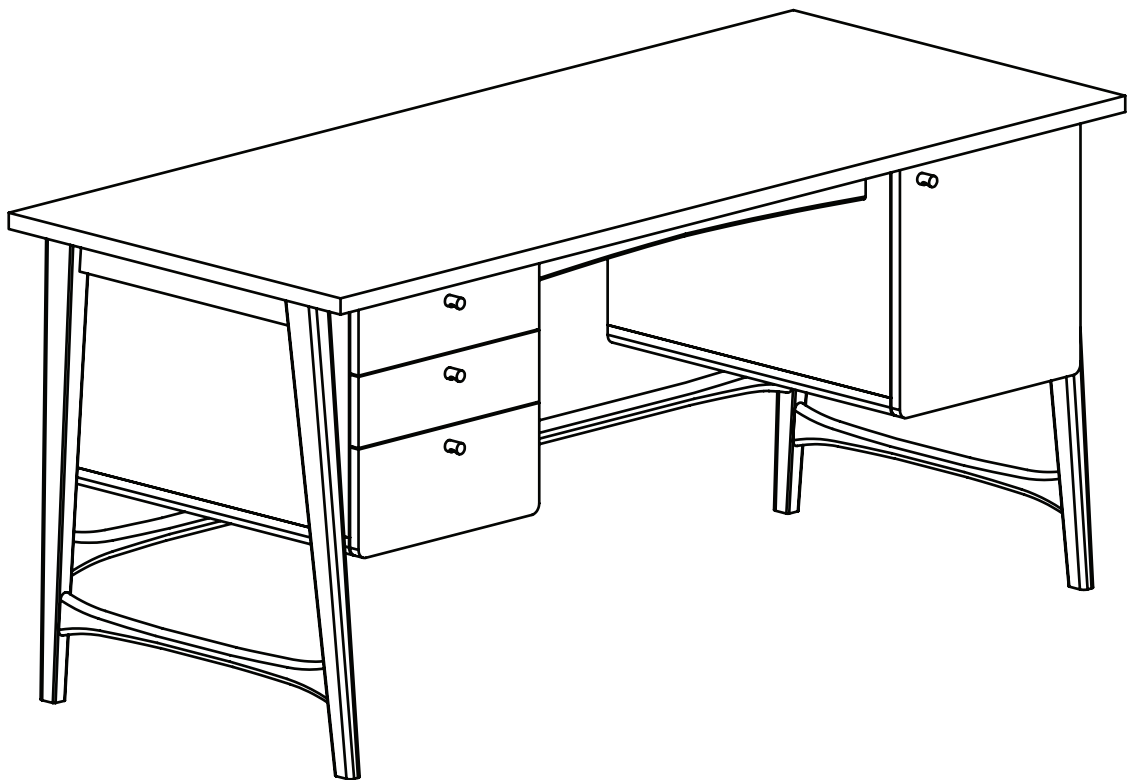


ARTICLE.

VERSION 2.1

Assembly Instructions



KROSSA

Executive Desk

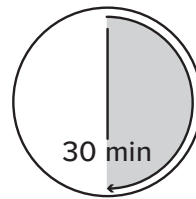
ASSEMBLY INSTRUCTIONS

Read these instructions carefully and keep for future reference. Refer to parts inventory for guidance, and ensure you have all pieces before starting.

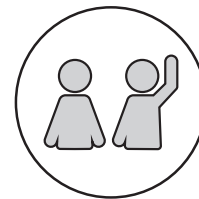
When assembling, place all parts on a soft, clean, and flat surface such as a carpet to prevent scratches.

If you're having difficulty, our friendly Customer Care team is always here to help. Call us at **1.888.746.3455** during business hours, email service@article.com or chat live at [article.com](https://www.article.com).

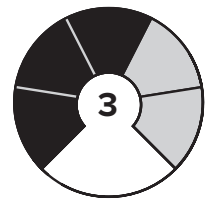
All bolts at each step must be 80%.
Ensure desk is leveled before tightening at 100% to avoid wobbling.



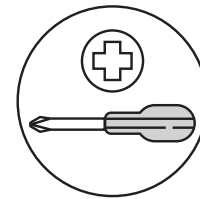
TIME



OF PEOPLE



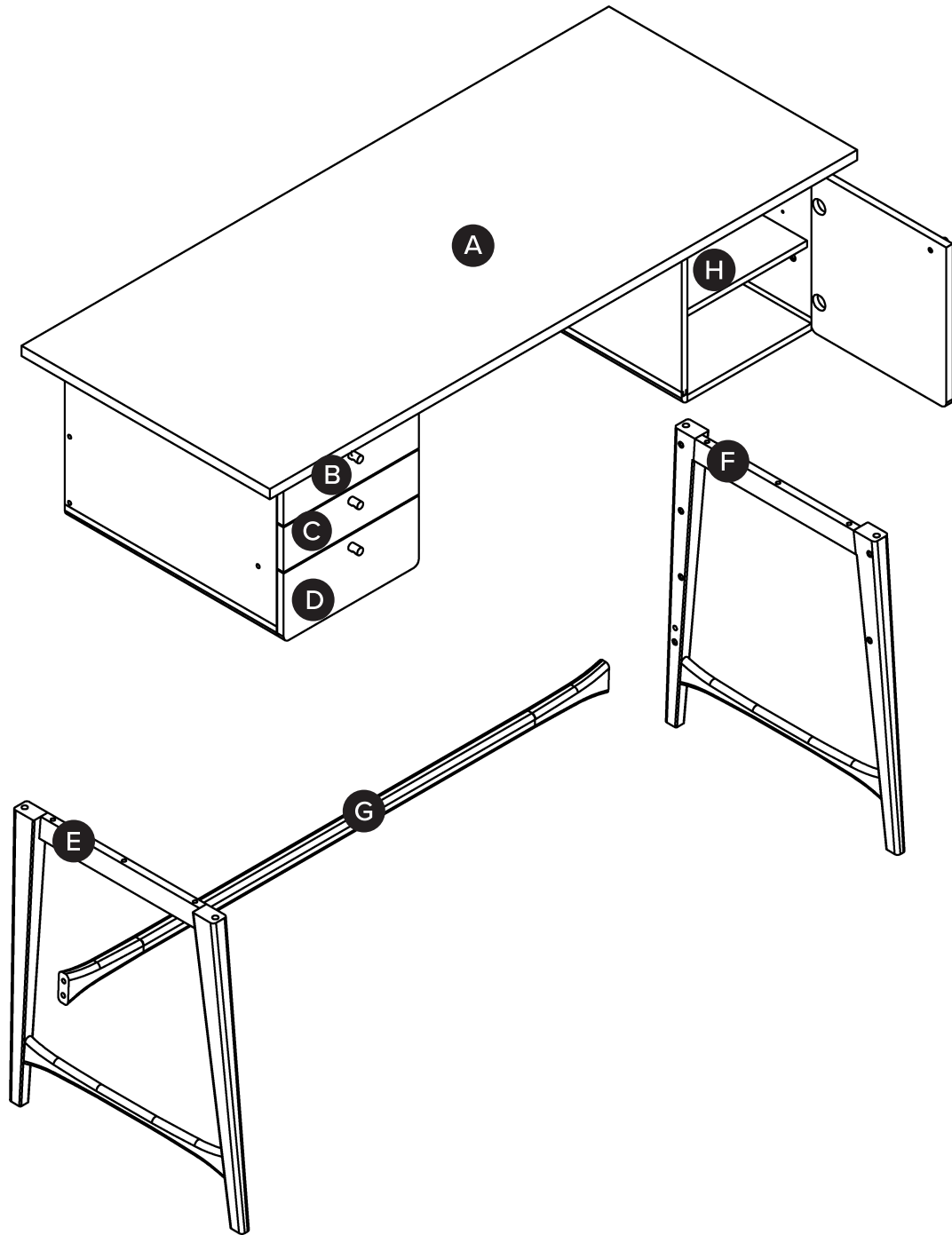
DIFFICULTY



REQUIRED TOOL

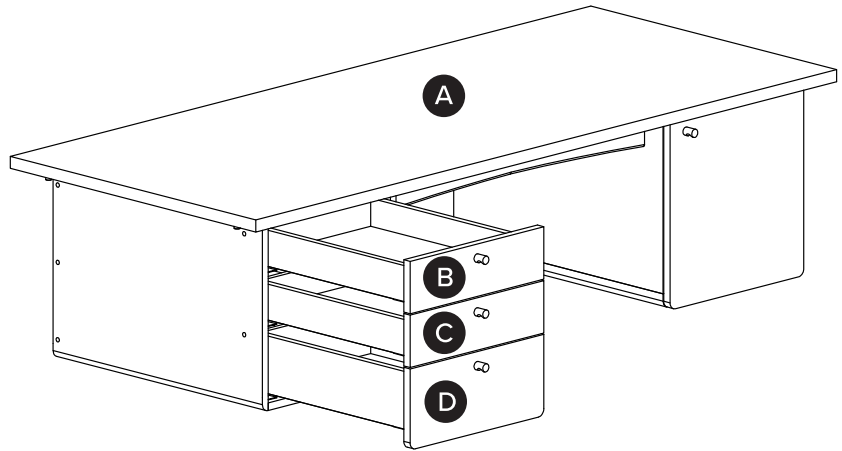
PARTS INVENTORY		
ID	DESCRIPTION	QTY
A	TABLE TOP	1
B	TOP DRAWER	1
C	MIDDLE DRAWER	1
D	BOTTOM DRAWER	1
E	LEFT LEG FRAME	1
F	RIGHT LEG FRAME	1
G	REAR SUPPORT BAR	1
H	SHELF	1

PARTS INVENTORY CONT.		
ID	DESCRIPTION	QTY
I	ALLEN KEY	1
J	WOOD DOWEL	4
K	M6 × 60MM BOLT	8
L	HOLE COVER	8
M	M6 × 30MM BOLT	10
N	CRESCENT WASHER	2
O	SHELF PIN	4
P	M6 LOCK WASHER	2
Q	M6 WASHER	2

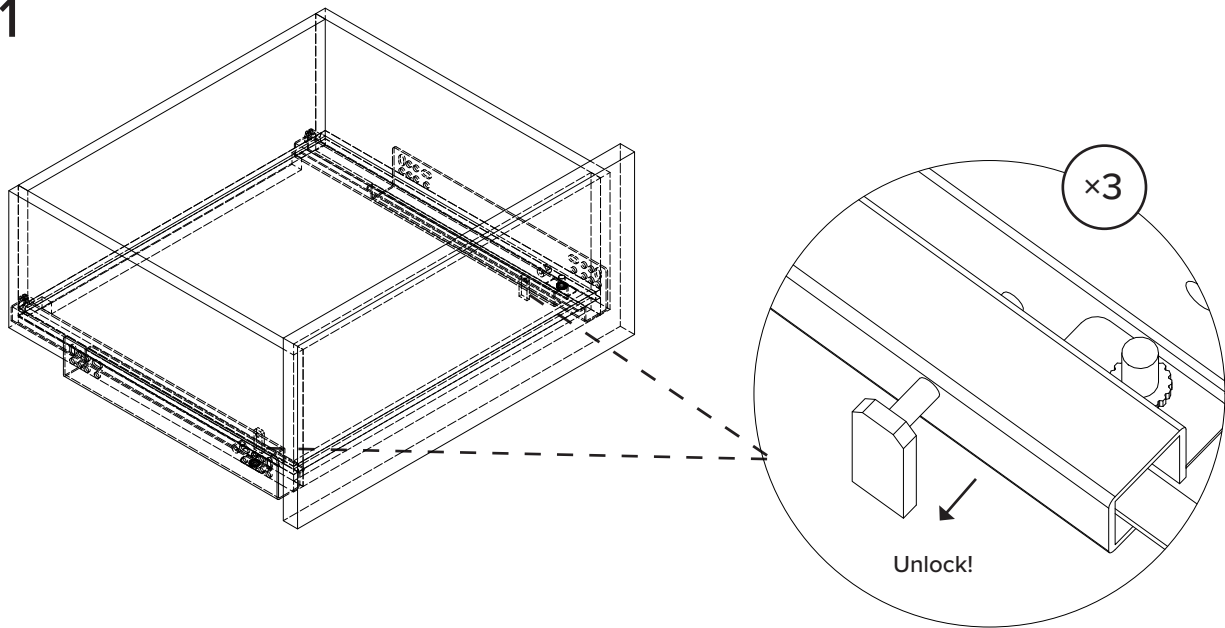


1

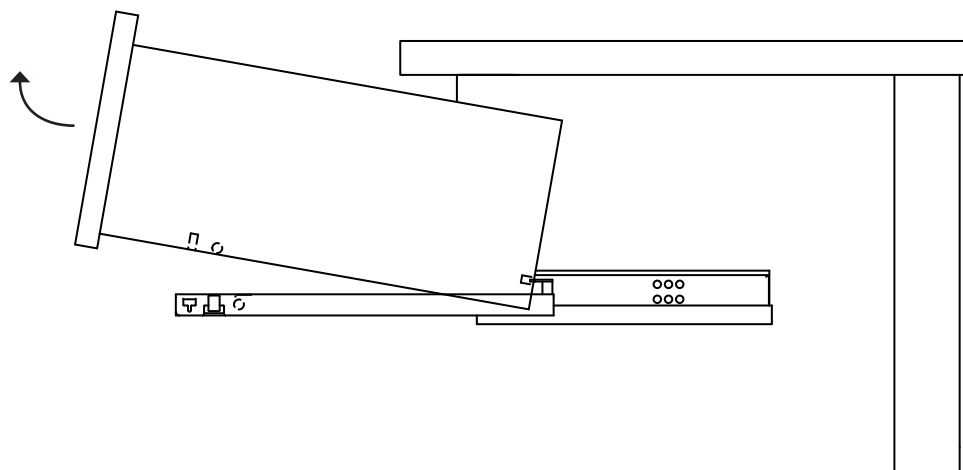
! Take out drawers (B,C,D) before assembling the legs (E/F). Detach the following parts.



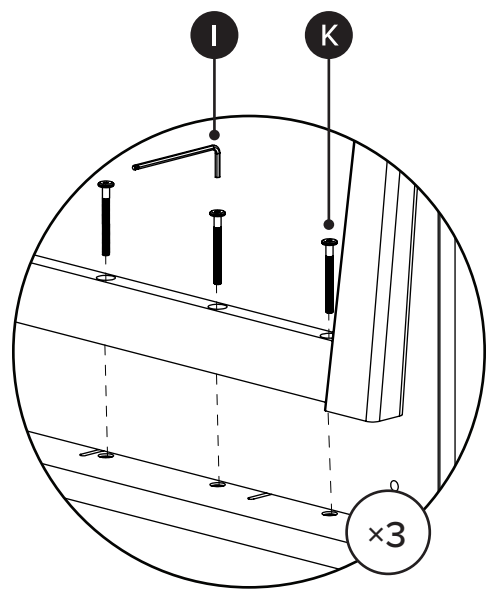
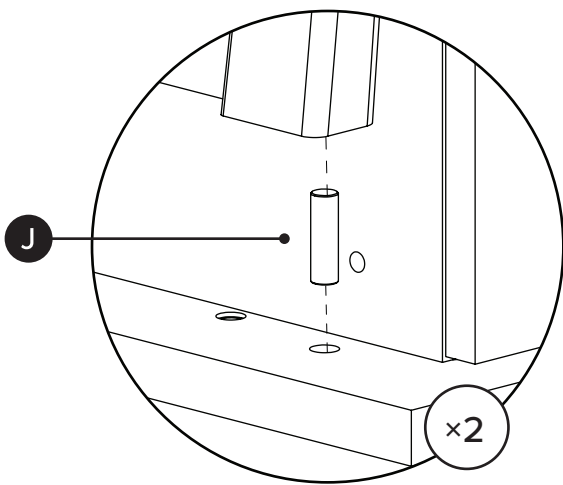
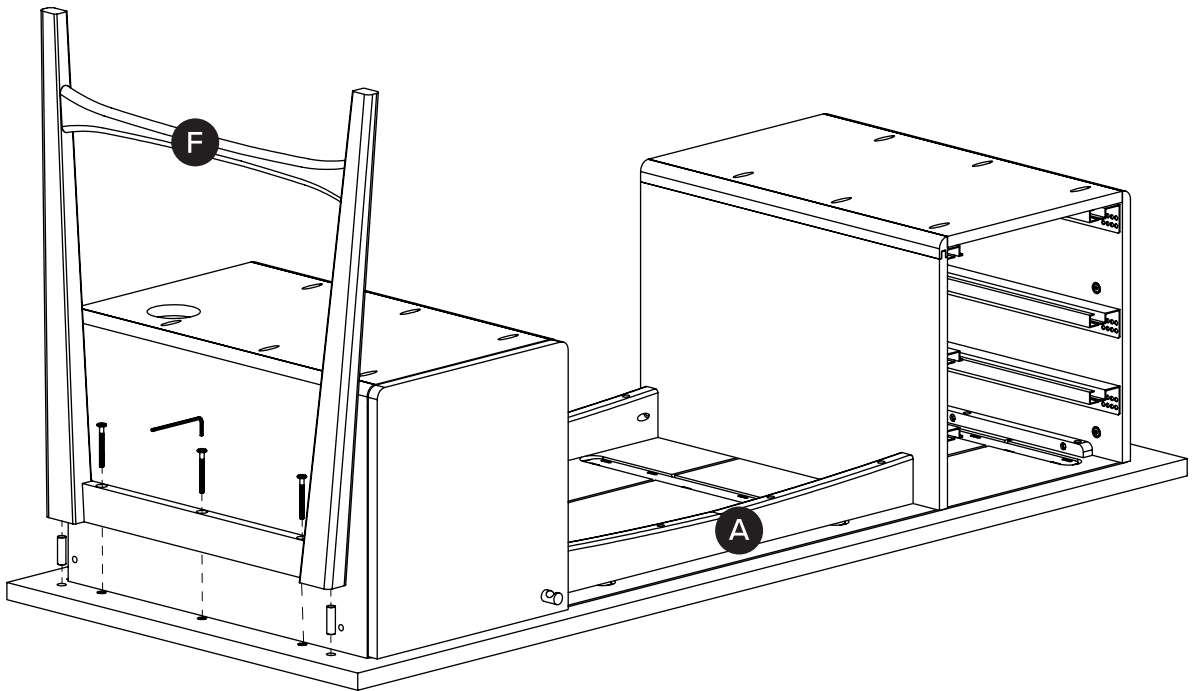
1.1



1.2

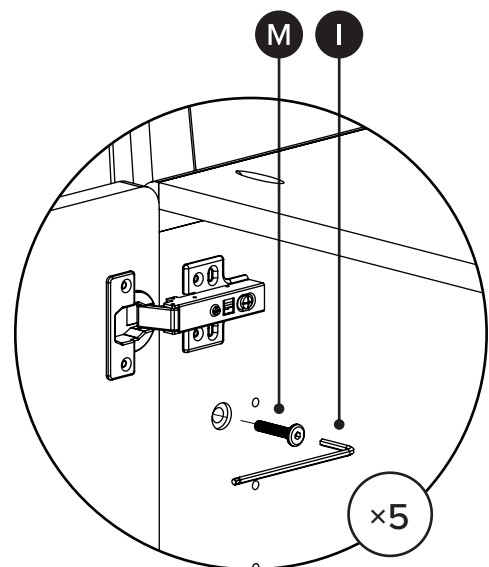
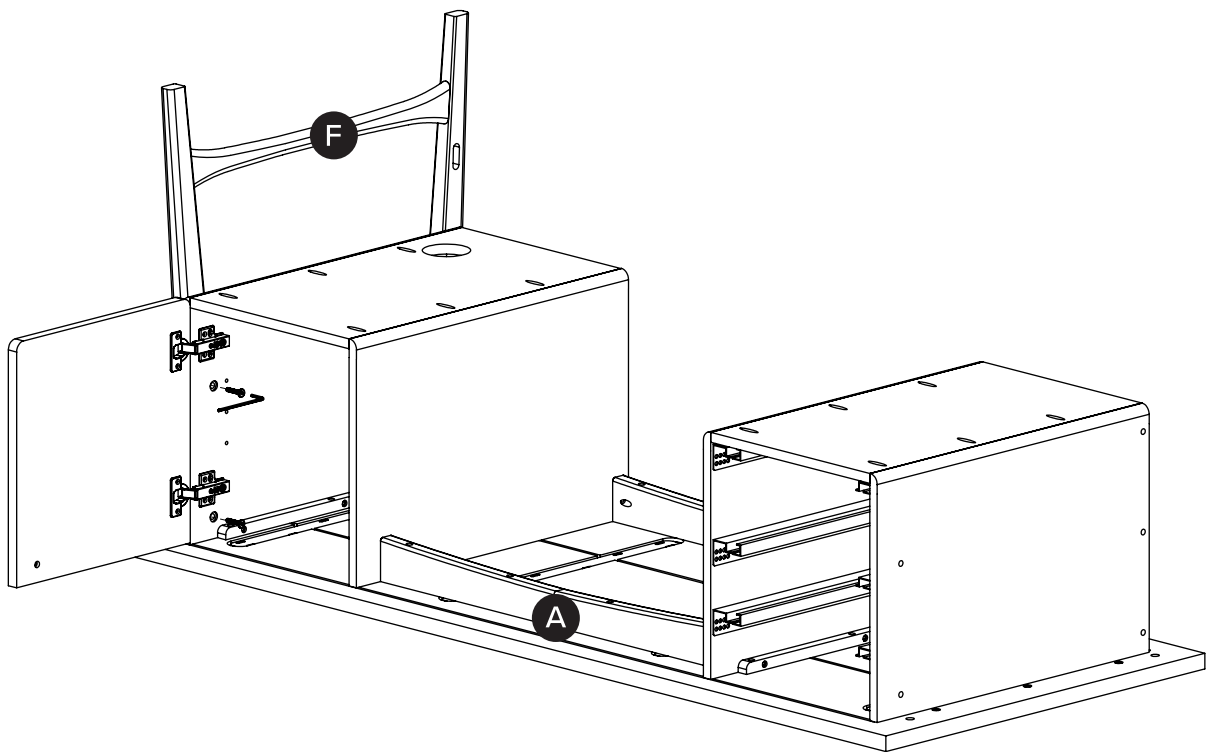


2



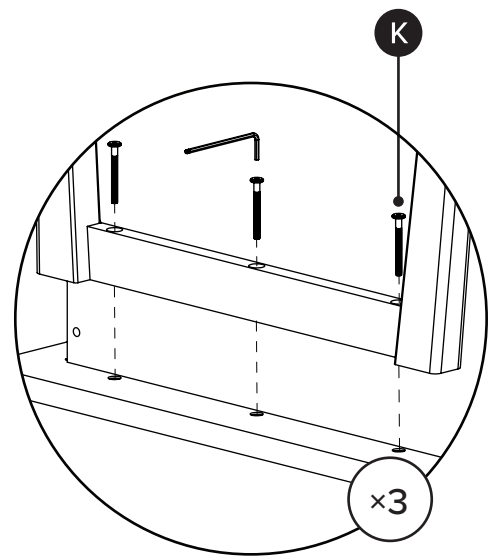
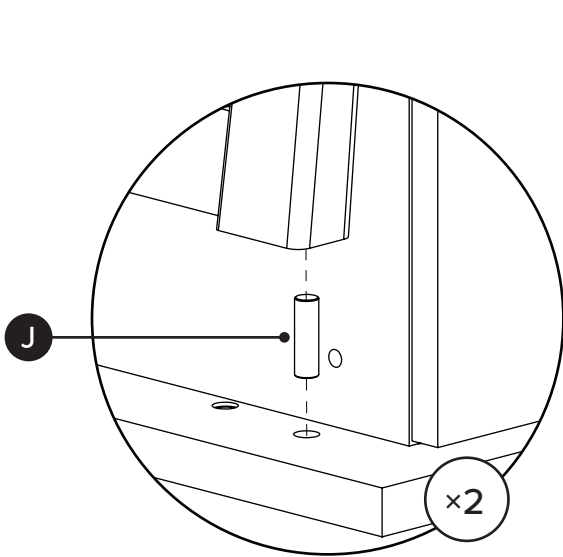
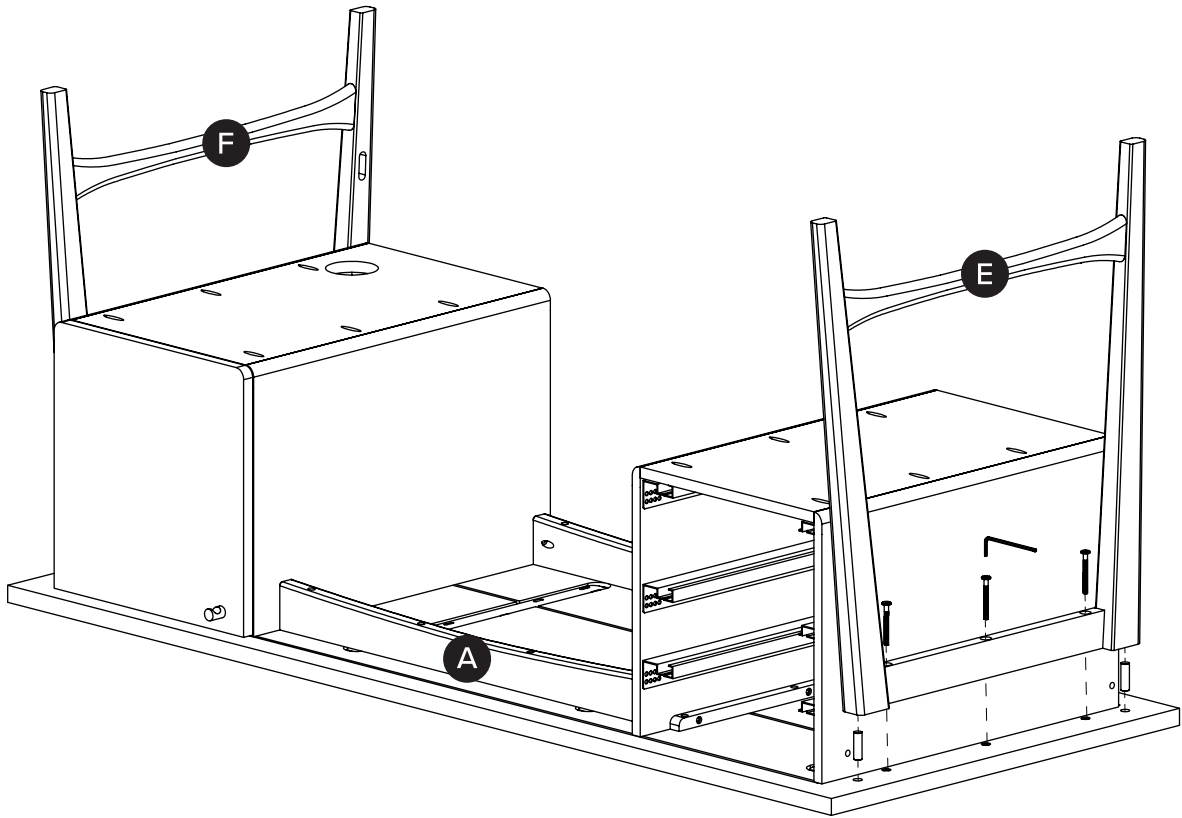
Tighten bolt 80%

3



Tighten bolt 80%

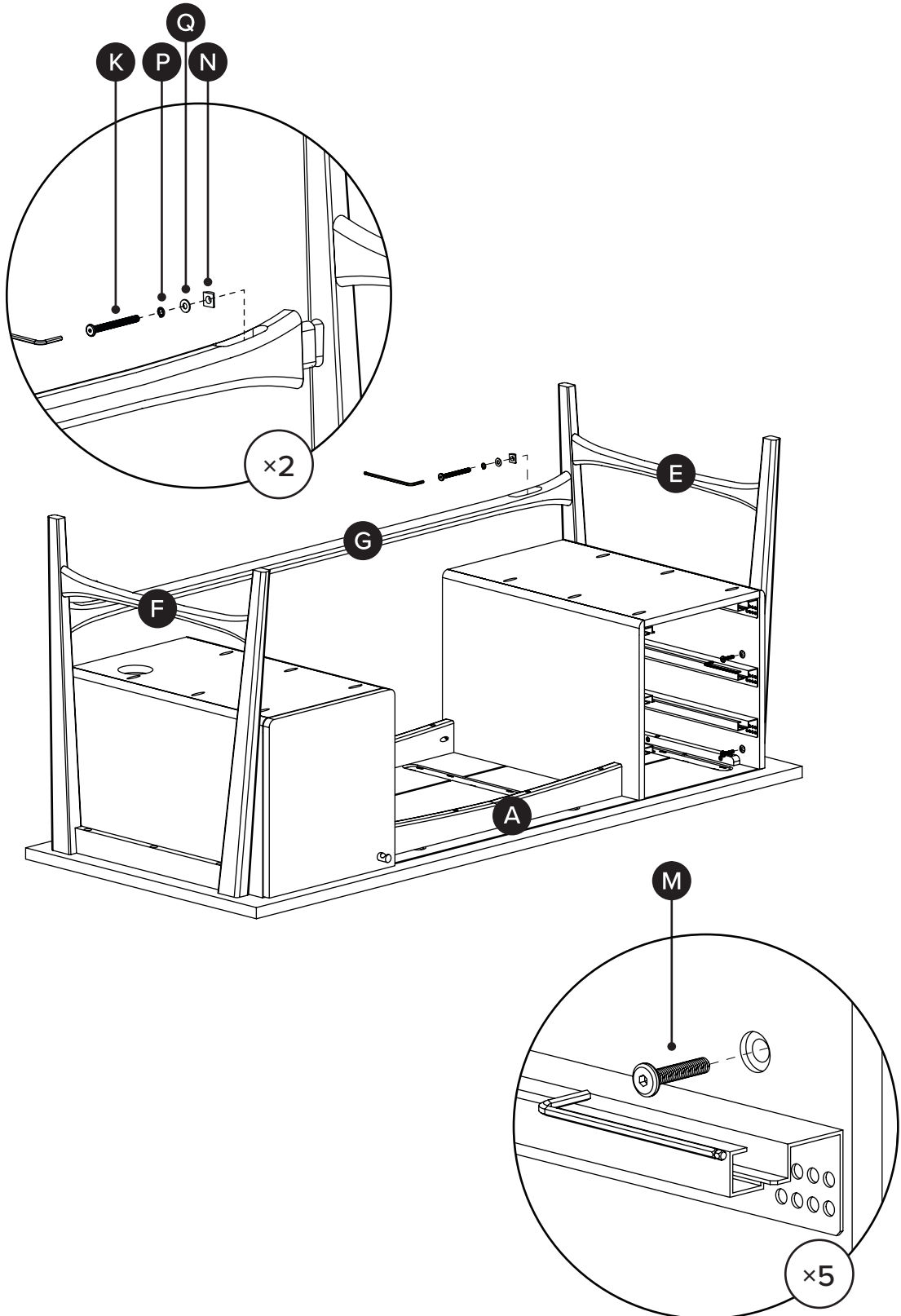
4



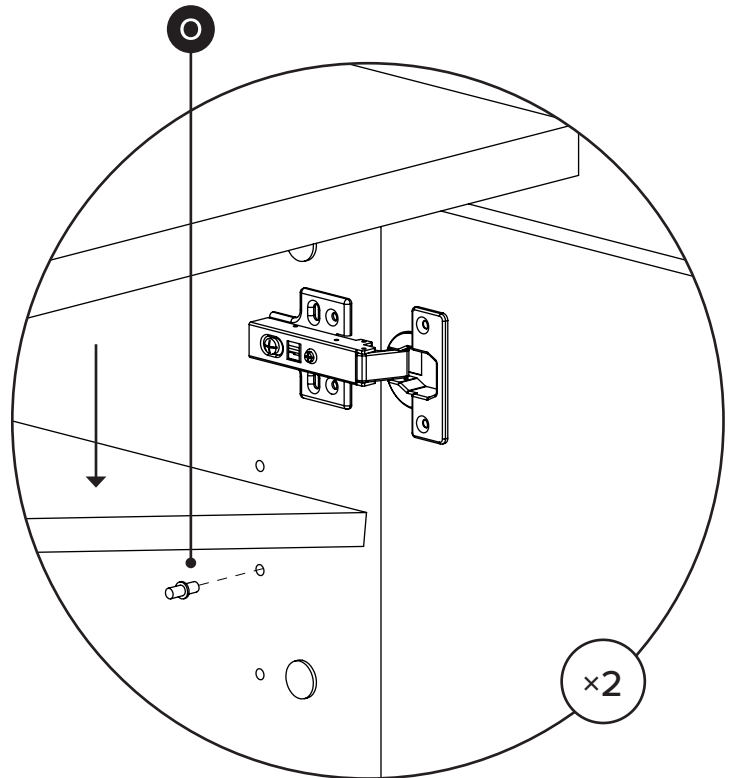
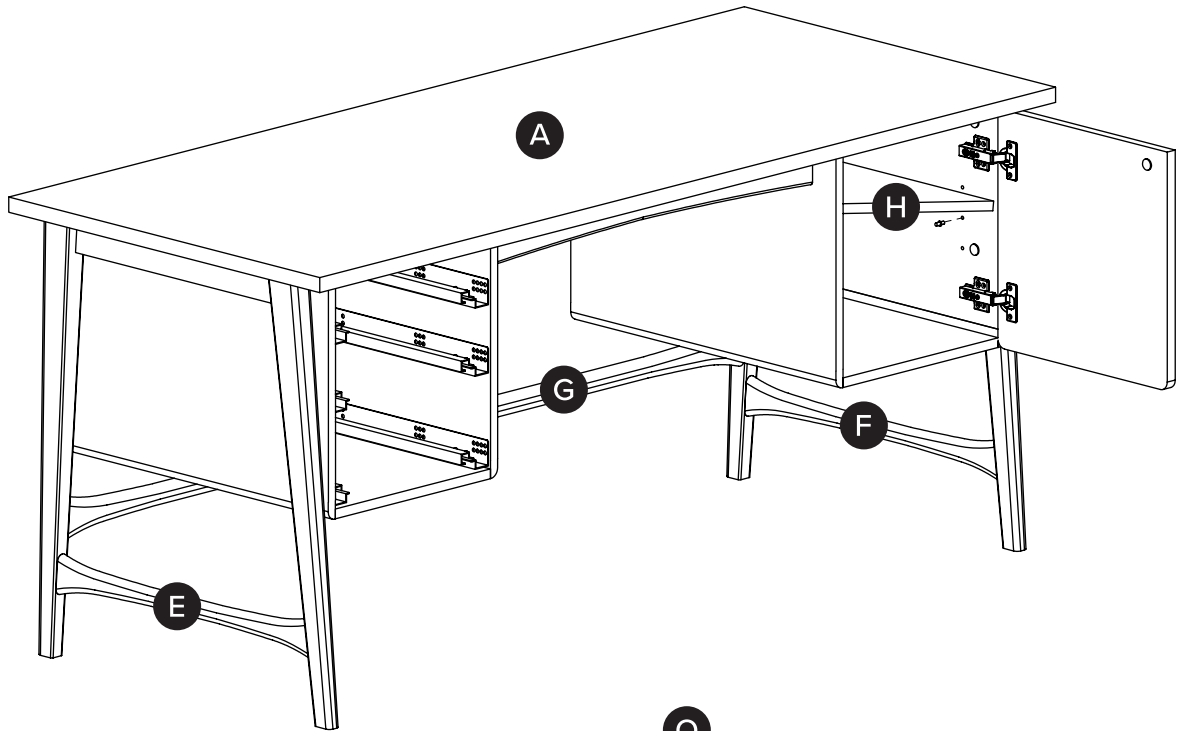
Tighten bolt 80%

5

! First attach right frame leg (E) before rear support bar (G). After secure table top (A) with bolt (K).

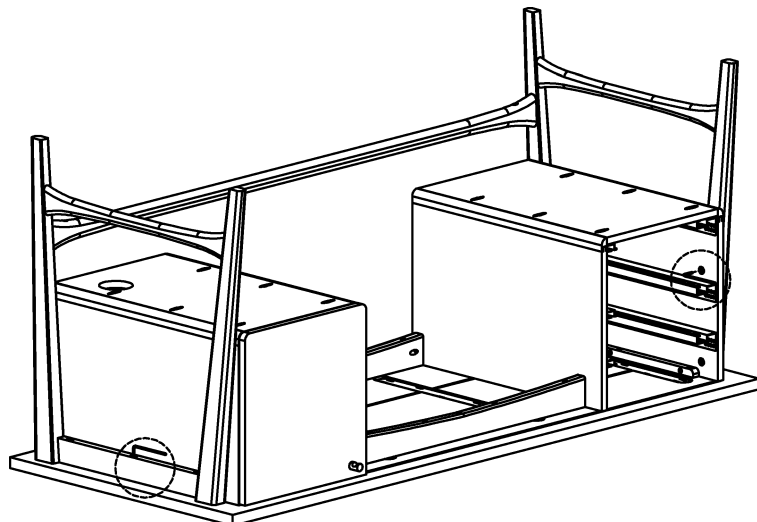
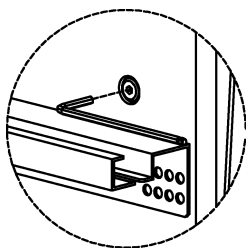
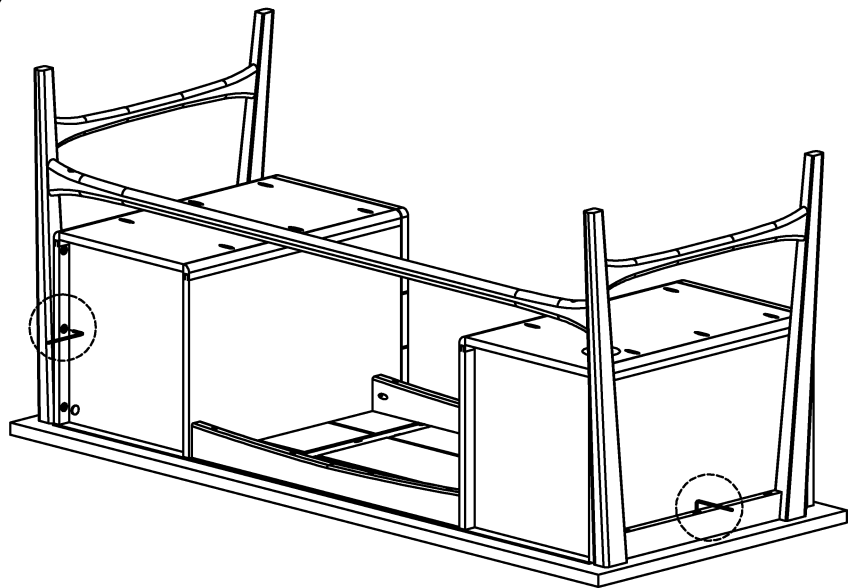
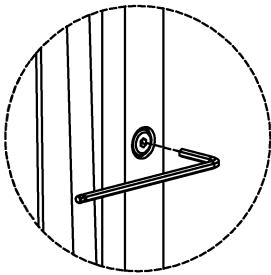
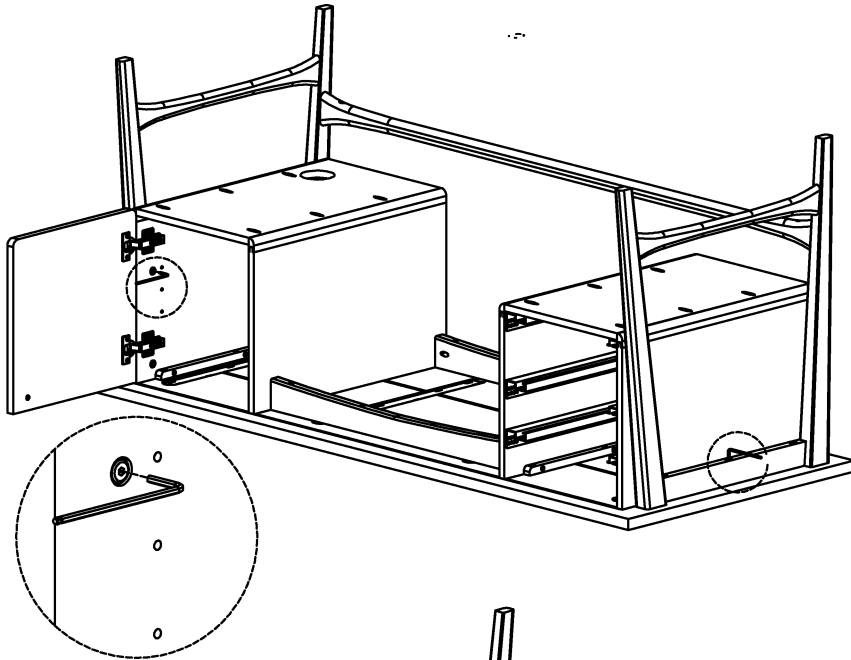


6

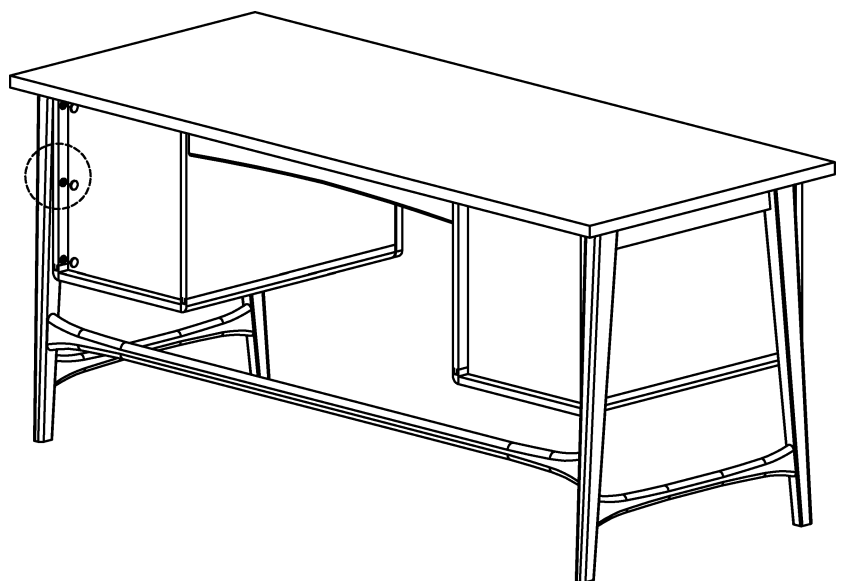
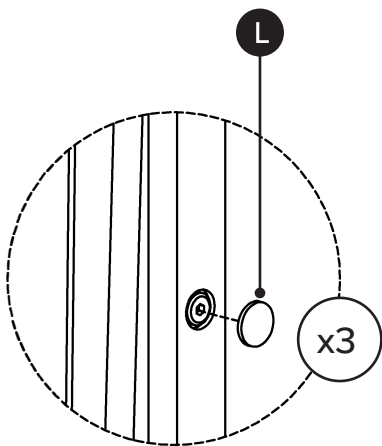
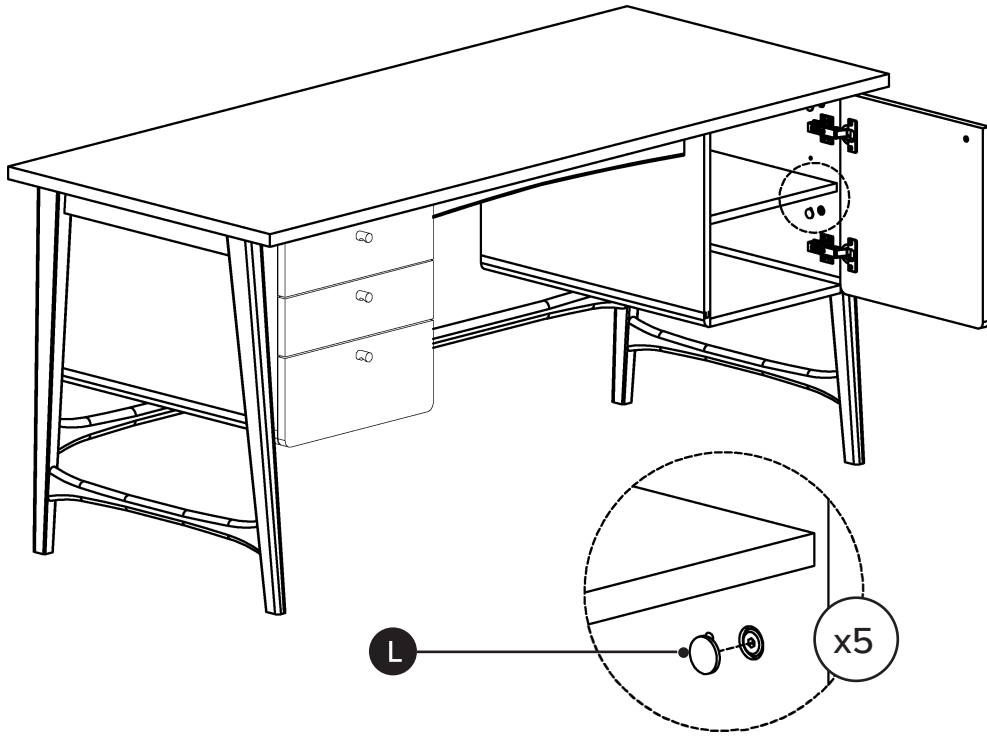


7

Tighten bolt 100%

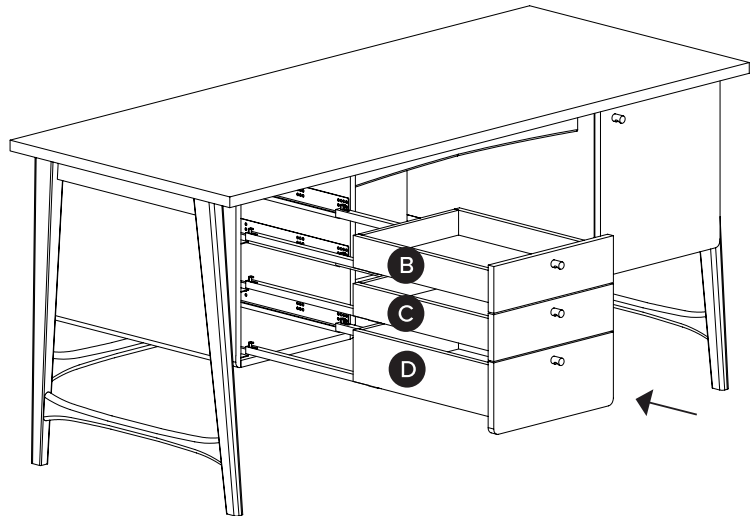


8

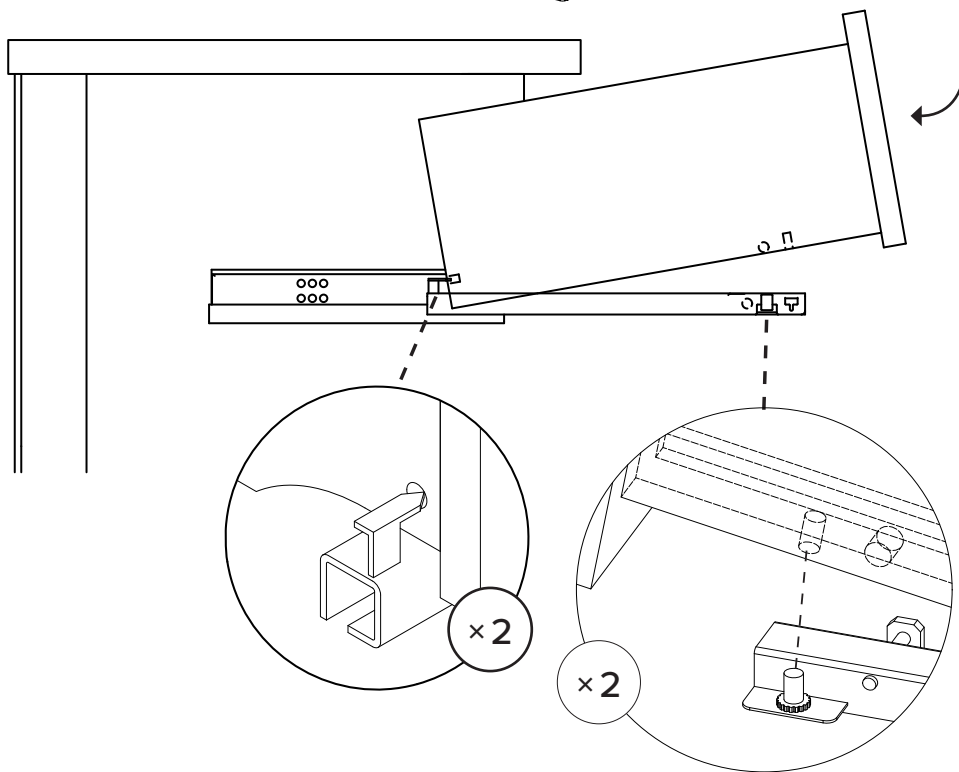


9

! Insert back drawers (B,C,D).



9.1



9.2

