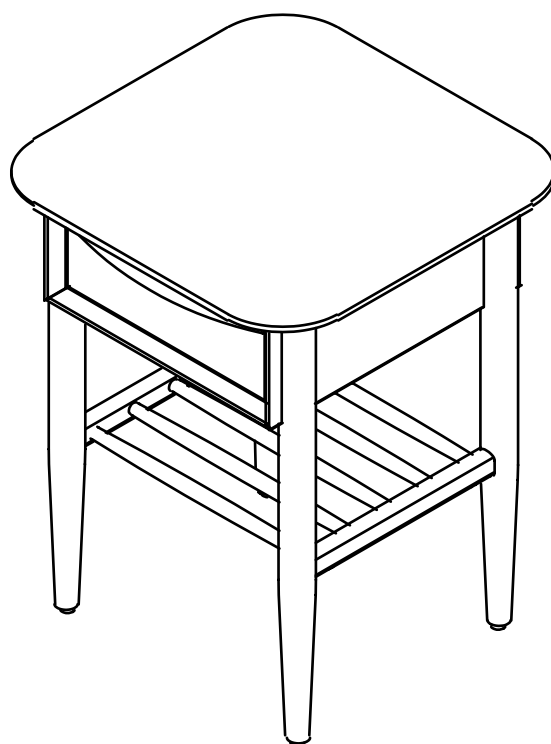


ARTICLE.

VERSION 1.2

Assembly Instructions



LENIA

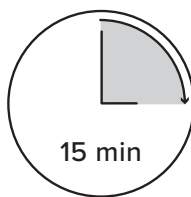
Storage Side Table

ASSEMBLY INSTRUCTIONS

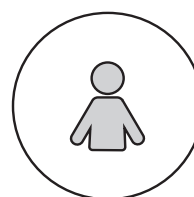
Read these instructions carefully and keep for future reference. Refer to parts inventory for guidance, and ensure you have all pieces before starting.

When assembling, place all parts on a soft, clean, and flat surface such as a carpet to prevent scratches.

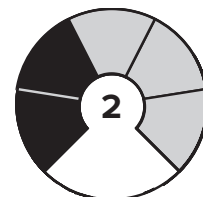
If you're having difficulty, our friendly Customer Care team is always here to help. Call us at **1.888.746.3455** during business hours, email service@article.com or chat live at [article.com](https://www.article.com).




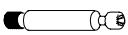





TIME



OF PEOPLE

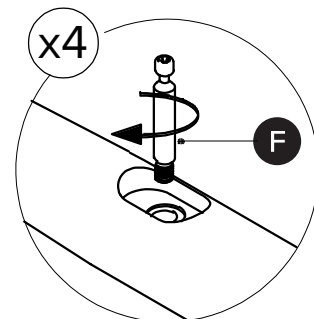
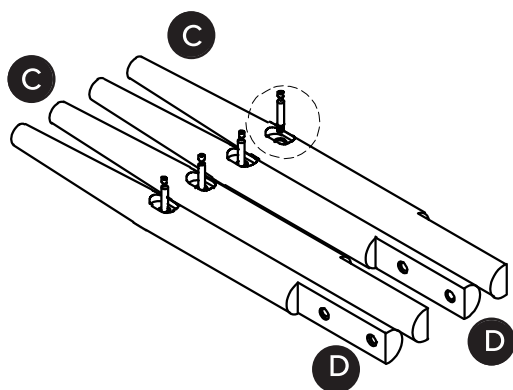


DIFFICULTY

PARTS INVENTORY		
ID	DESCRIPTION	QTY
A	STORAGE FRAME	1
B	SHELF FRAME	1
C	LEFT LEG	2
D	RIGHT LEG	2
E	CAM LOCK NUT 	4
F	CAM LOCK BOLT 	4
G	ALLEN KEY 	1
H	M6 × 30MM BOLT 	8
I	M6 WASHER 	8
J	LOCK WASHER 	8
K	ALLEN KEY 	1

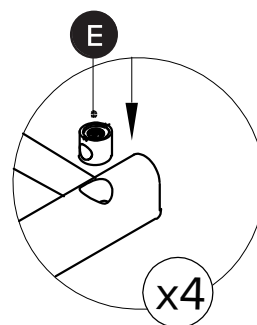
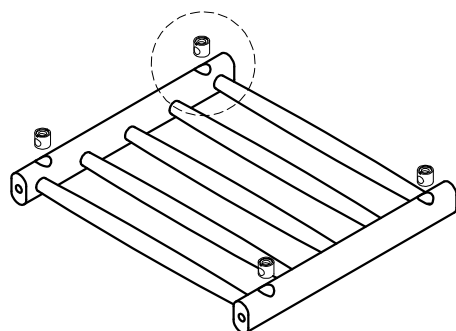
1

! Please ensure to put components on a flat and soft surface such as a cardboard or a rug.



! Tighten 100%

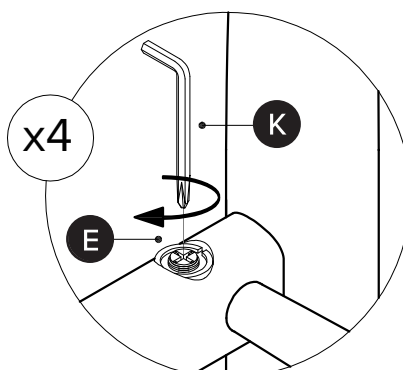
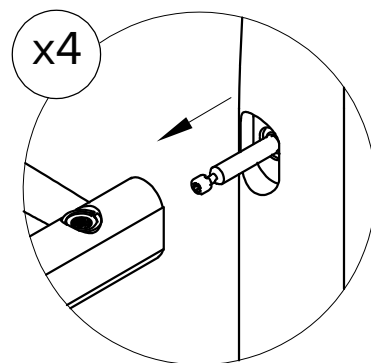
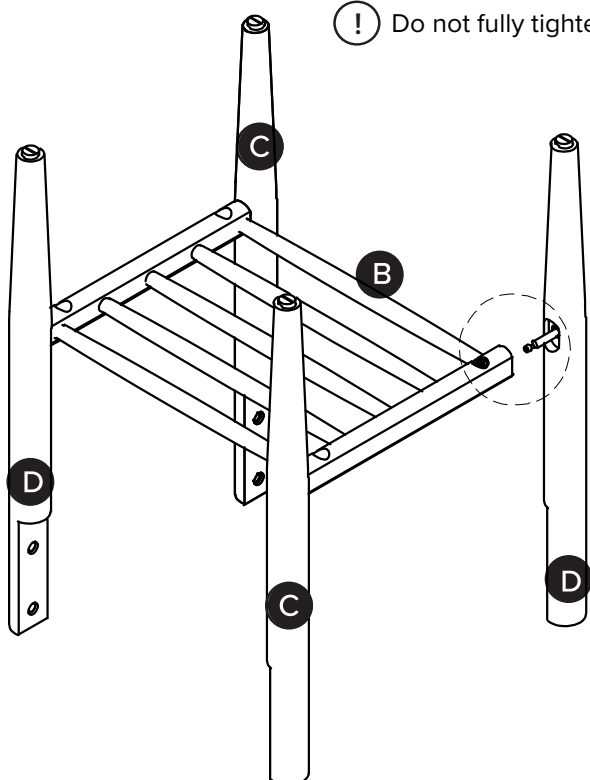
2



! Holes on the cam nut (E) must be aligned with holes on the wood stretcher.

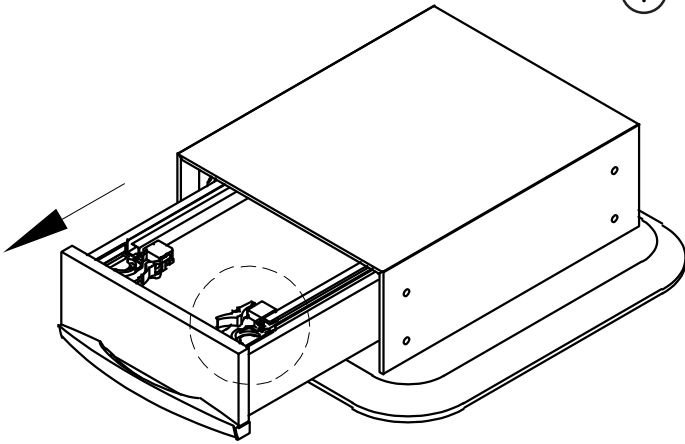
3

! Do not fully tighten until all bolts are placed properly.

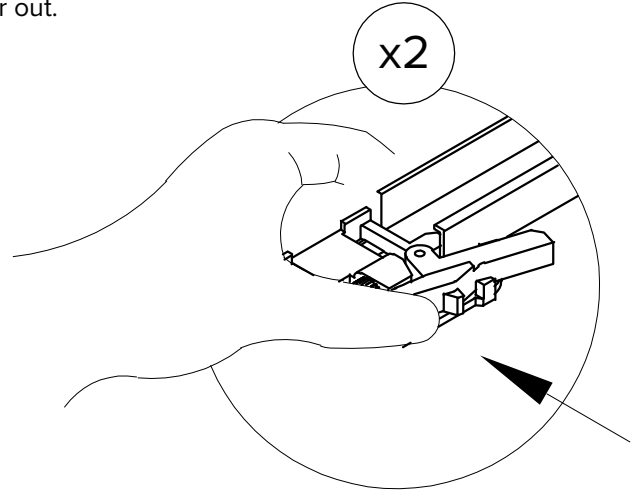


4

! Take the drawer out.

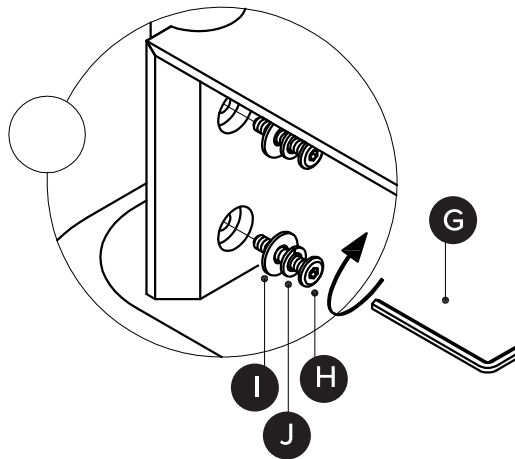
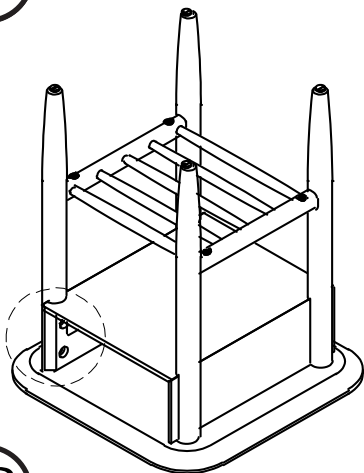


x2



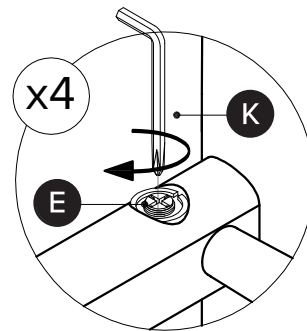
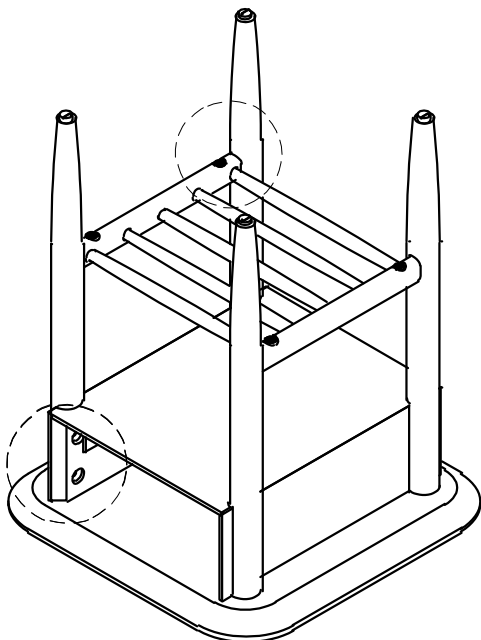
5A

! Do not fully tighten until all bolts are placed properly



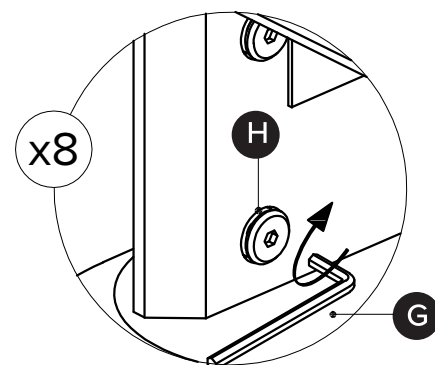
5B

! Tighten 100%



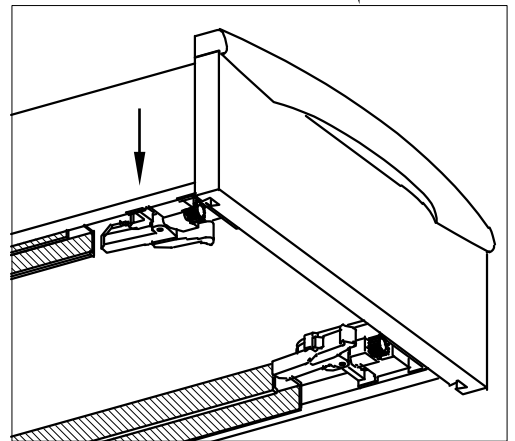
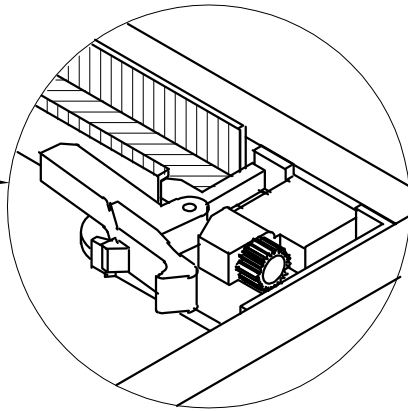
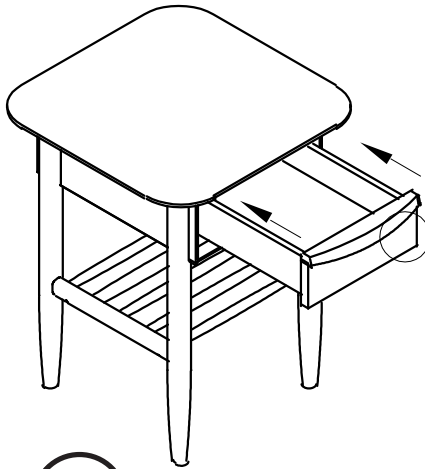
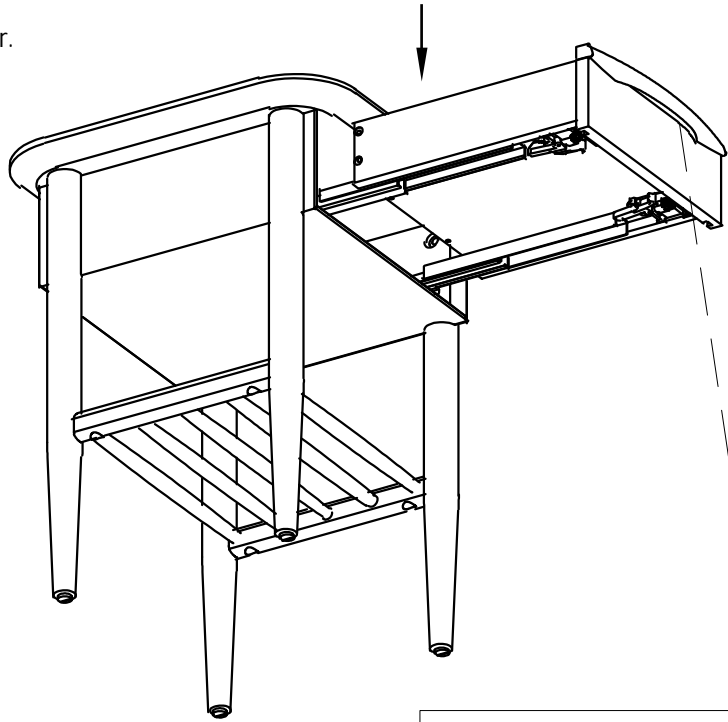
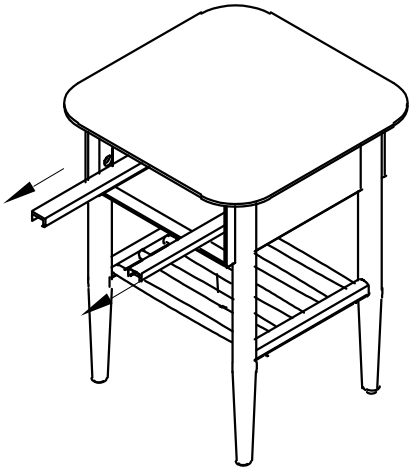
5C

! Tighten 100%

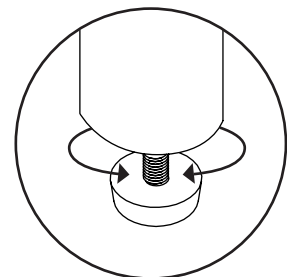
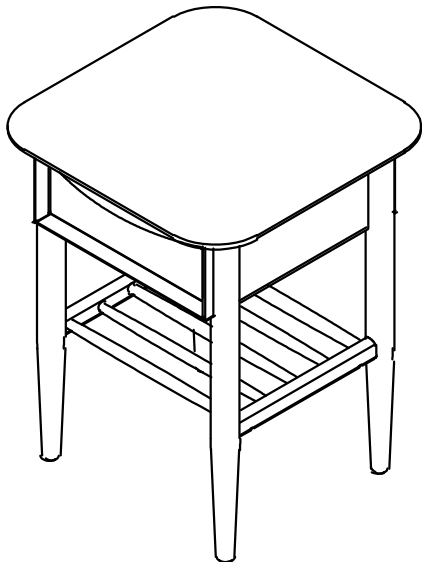


6

! Insert the drawer.



7



! Adjust levelers as needed.

FIX A CROOKED DRAWER

