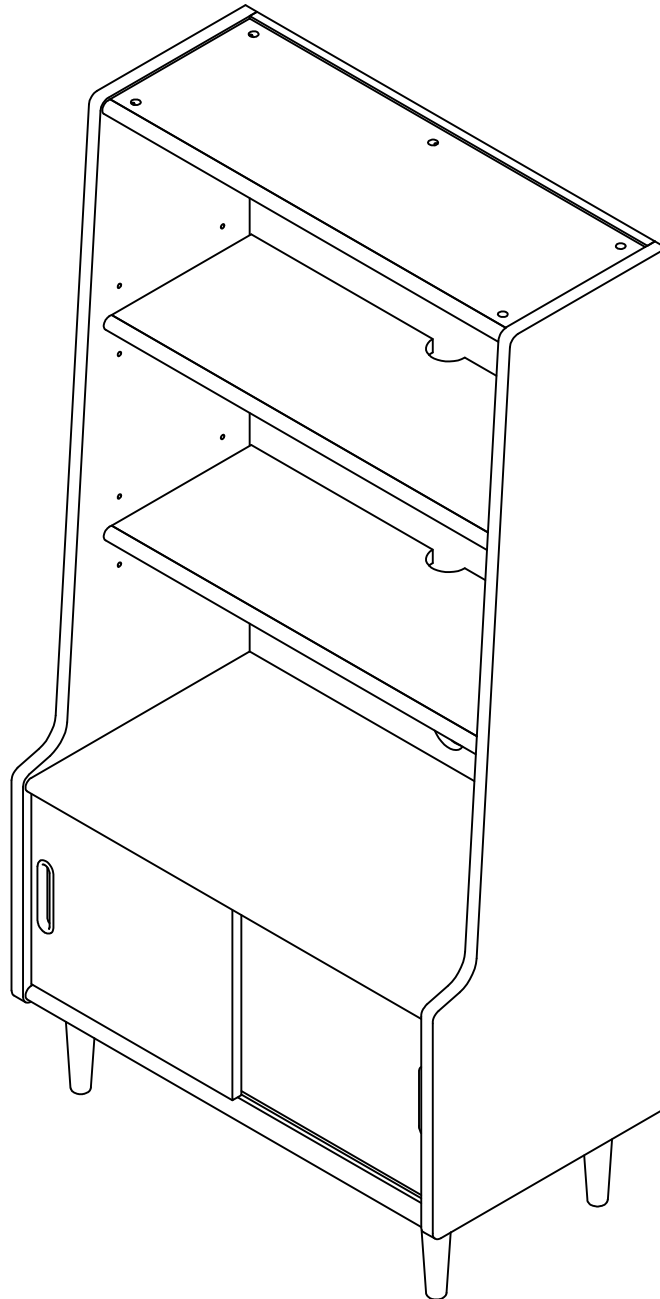


ARTICLE.

VERSION 1.2

Assembly Instructions



FRANCES

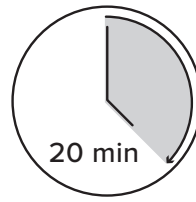
Bookcase

ASSEMBLY INSTRUCTIONS

Read these instructions carefully and keep for future reference. Refer to parts inventory for guidance, and ensure you have all pieces before starting.

When assembling, place all parts on a soft, clean, and flat surface such as a carpet to prevent scratches.

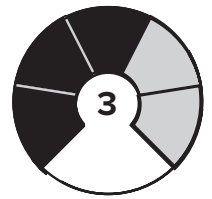
If you're having difficulty, our friendly Customer Care team is always here to help. Call us at **1.888.746.3455** during business hours, email **service@article.com** or chat live at **article.com**.



TIME



OF PEOPLE



DIFFICULTY

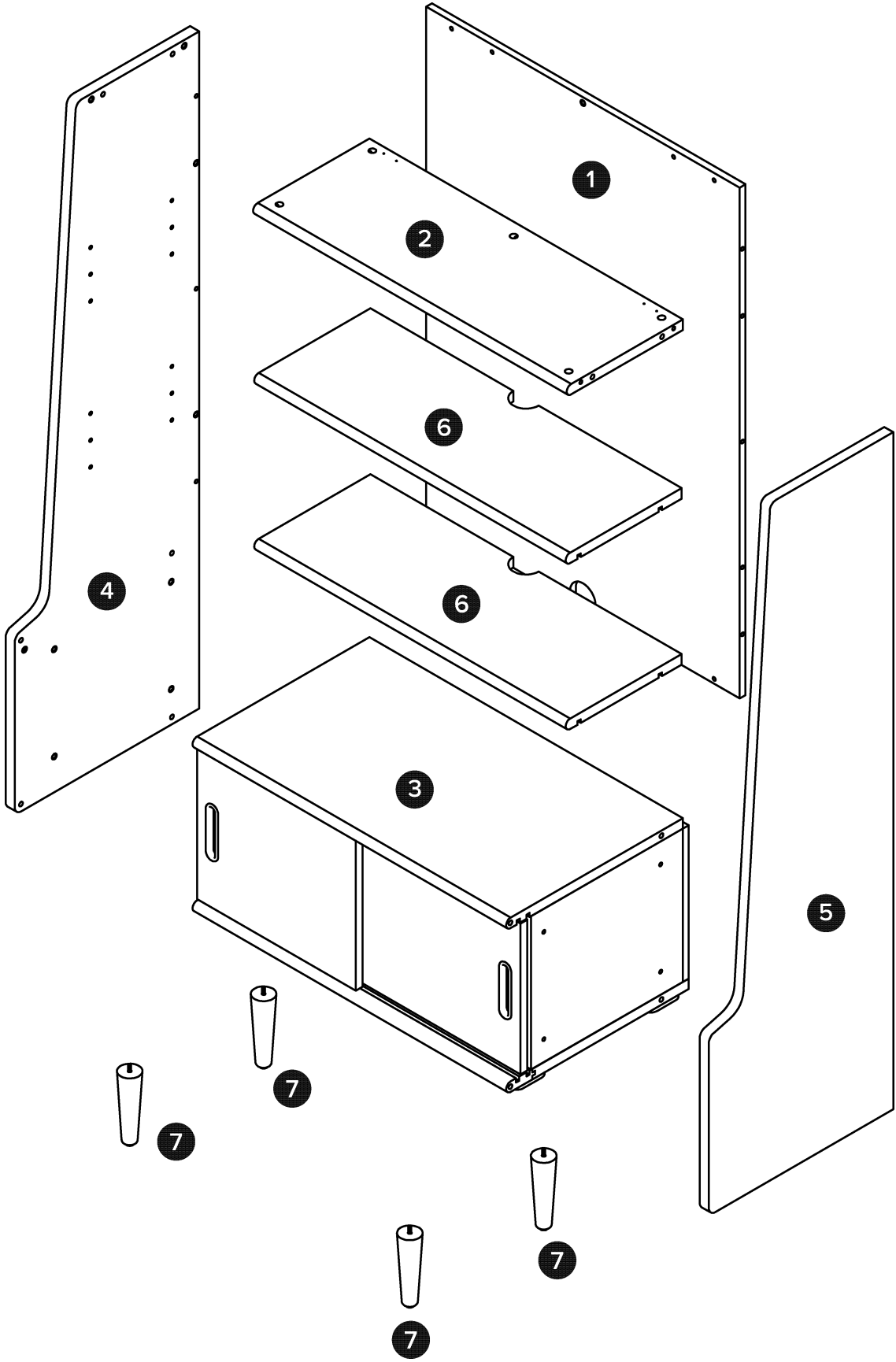


ANTI-TIP

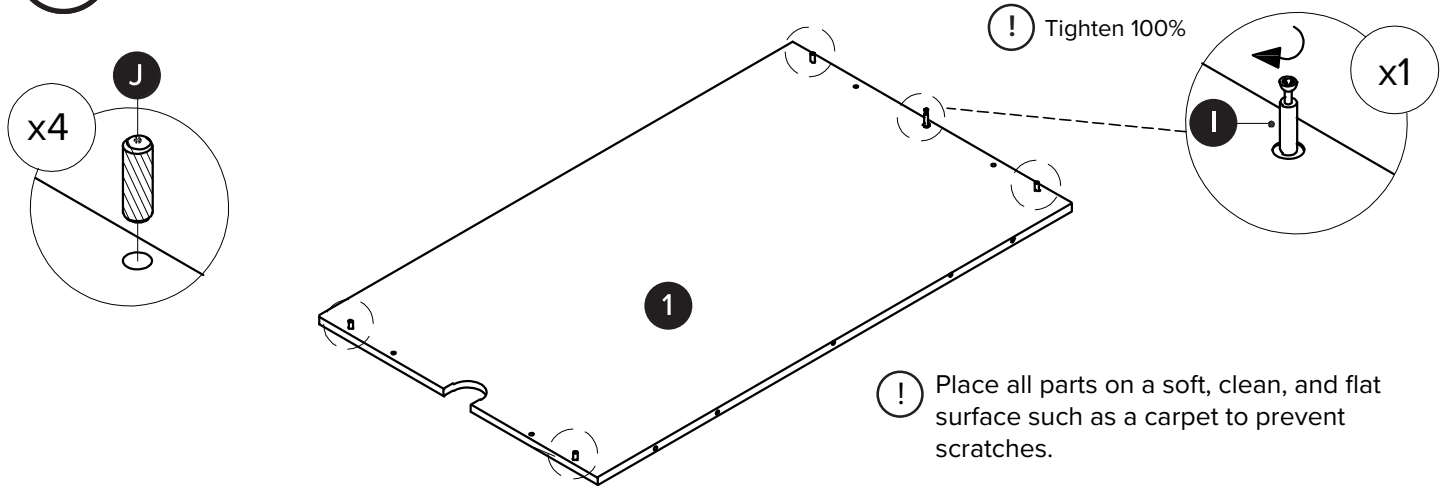
Installation Required

PARTS INVENTORY		
ID	DESCRIPTION	QTY
1	BACK PANEL	1
2	TOP PANEL	1
3	STORAGE CABINET	1
4	LEFT PANEL	1
5	RIGHT PANEL	1
6	ADJUSTABLE SHELVES	2
7	LEGS	4

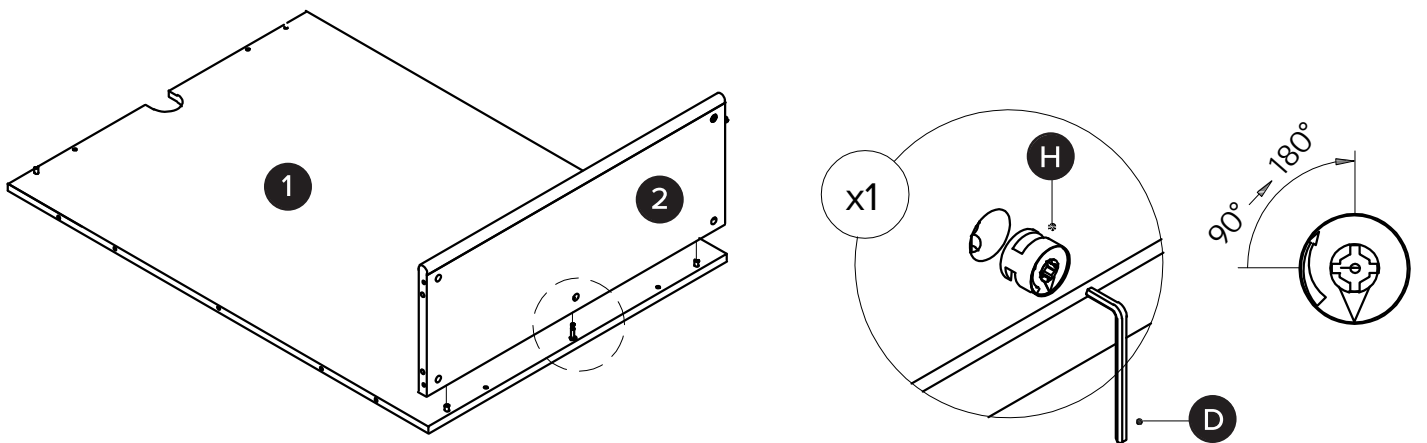
HARDWARE LIST			
ID	DESCRIPTION		QTY
A	BARREL NUT		4
B	ALLEN KEY		1
C	BARREL NUT CONNECTOR		4
D	ALLEN KEY		1
E	M6 × 30MM BOLT		12
F	M6 LOCK WASHER		12
G	M6 WASHER		12
H	CAMLOCK NUTS		5
I	CAMLOCK BOLTS		5
J	WOOD DOWEL ø8X30		22
K	SHELF PEGS		8



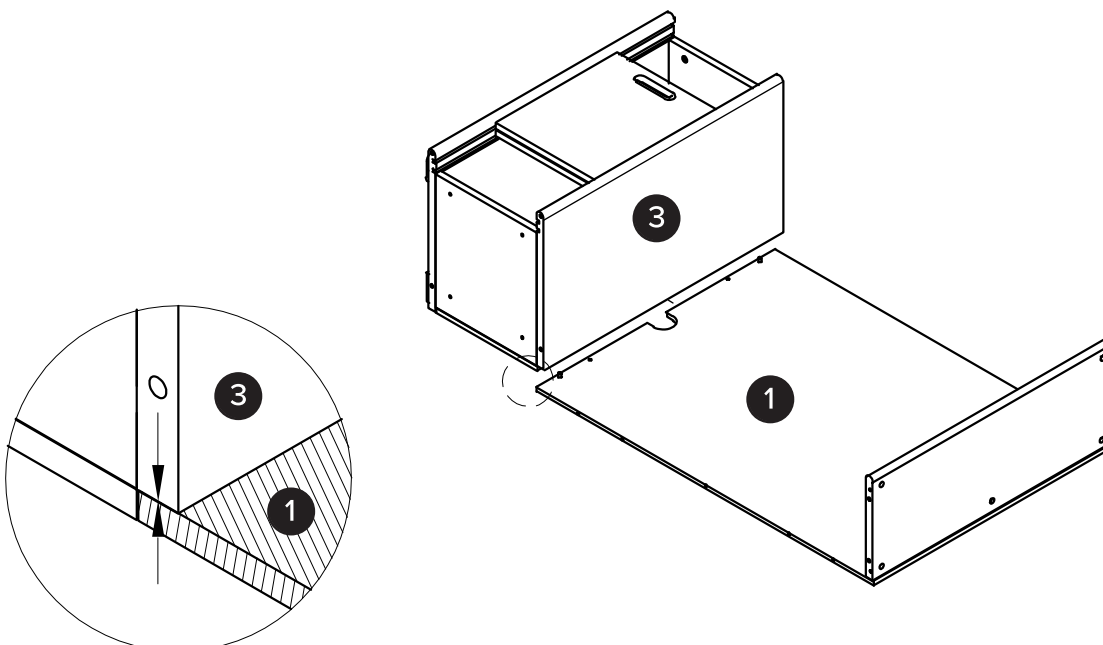
1



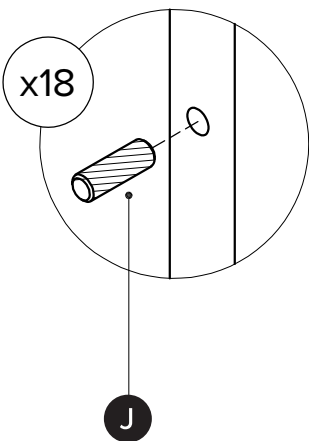
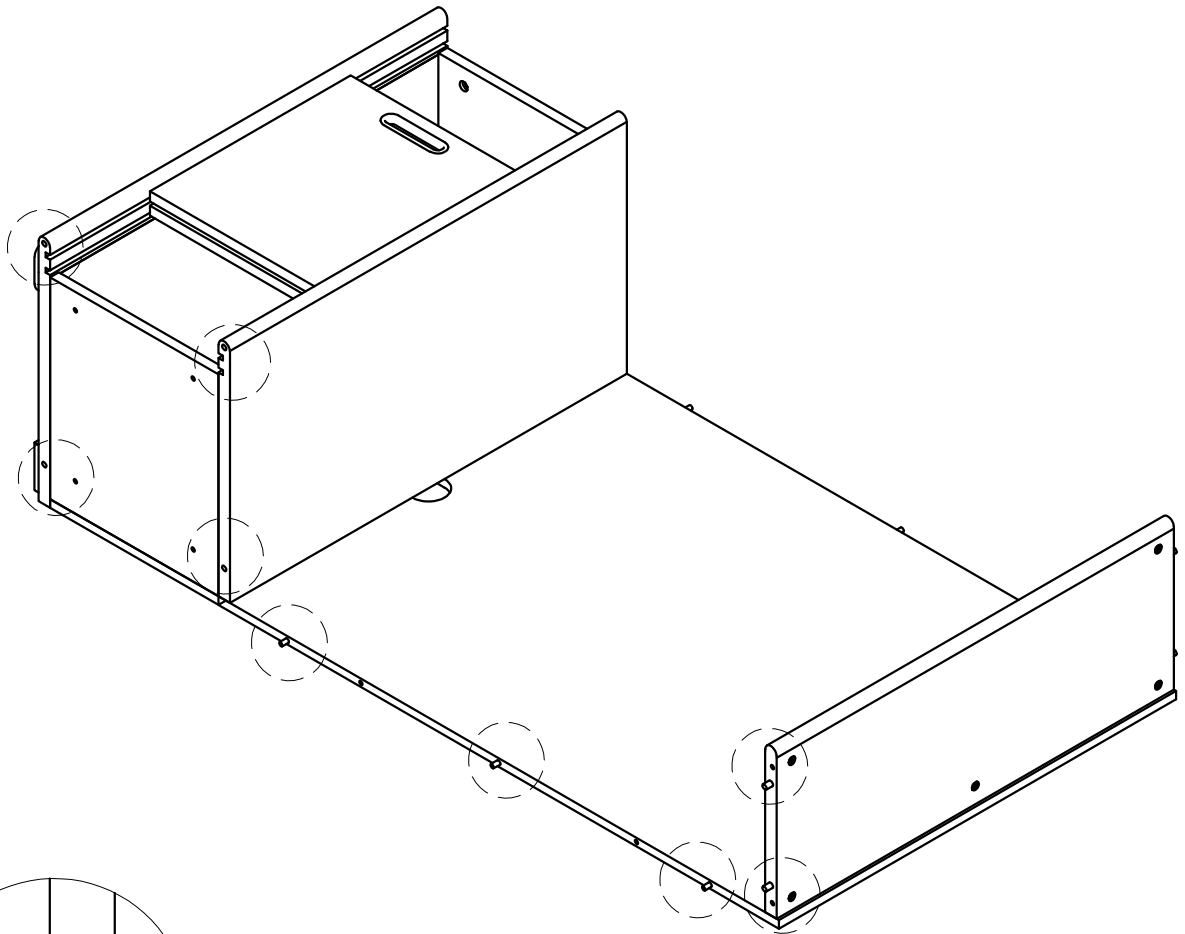
2



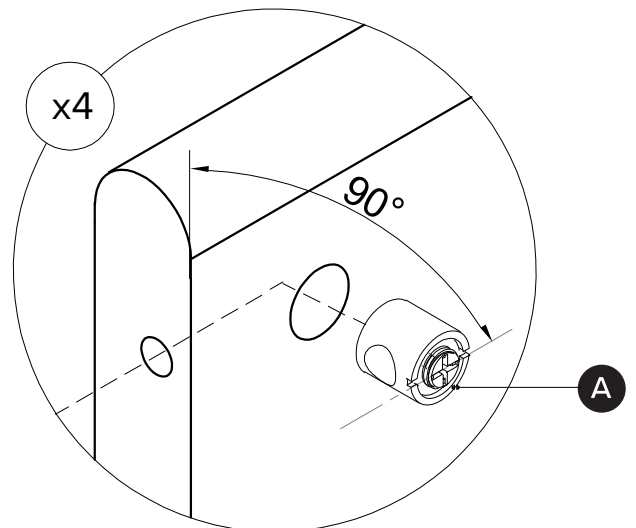
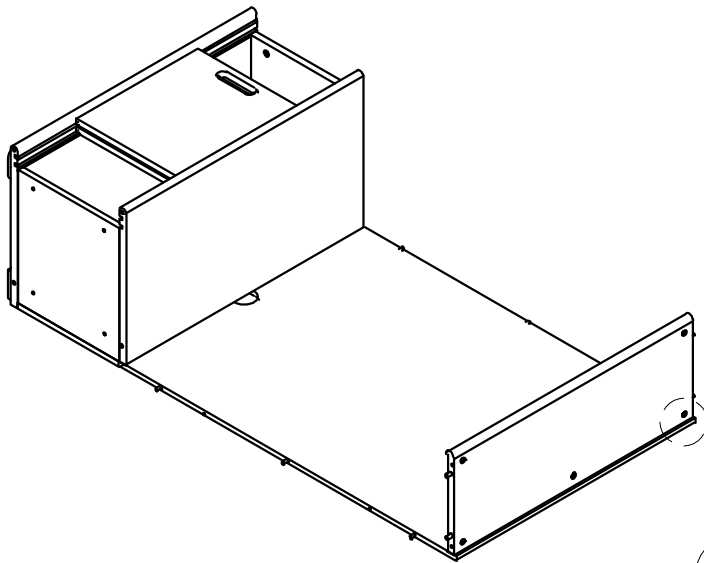
3



4

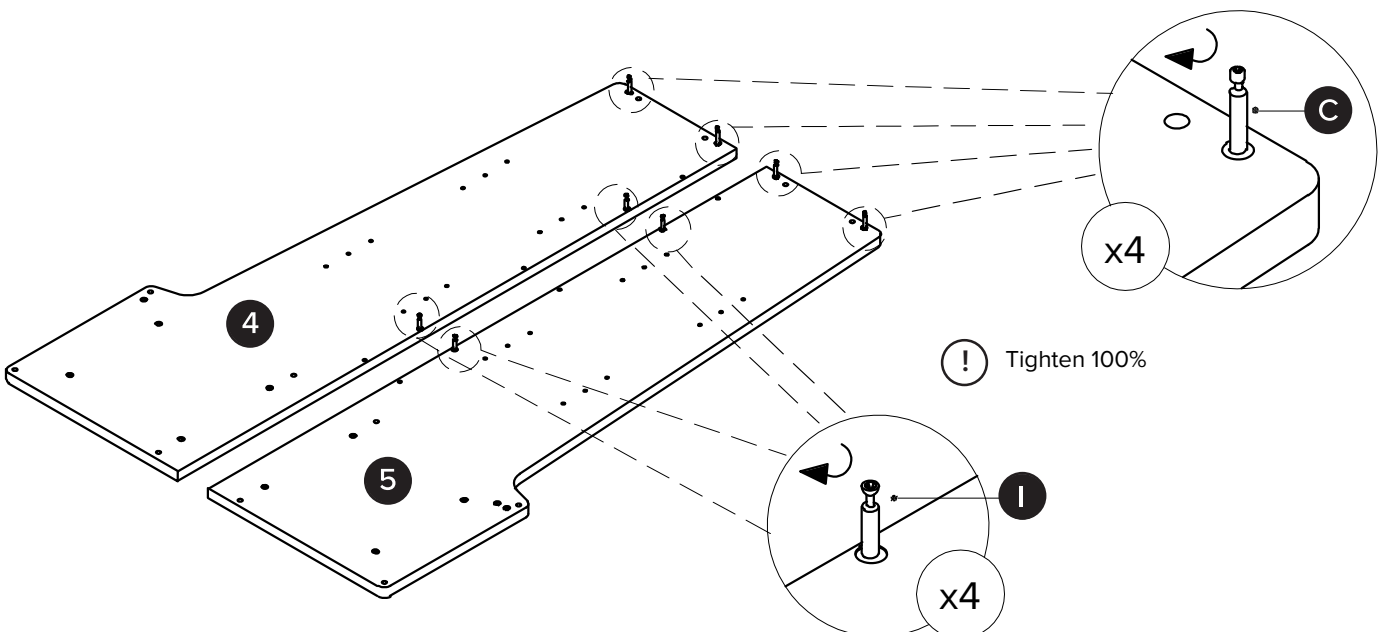


5

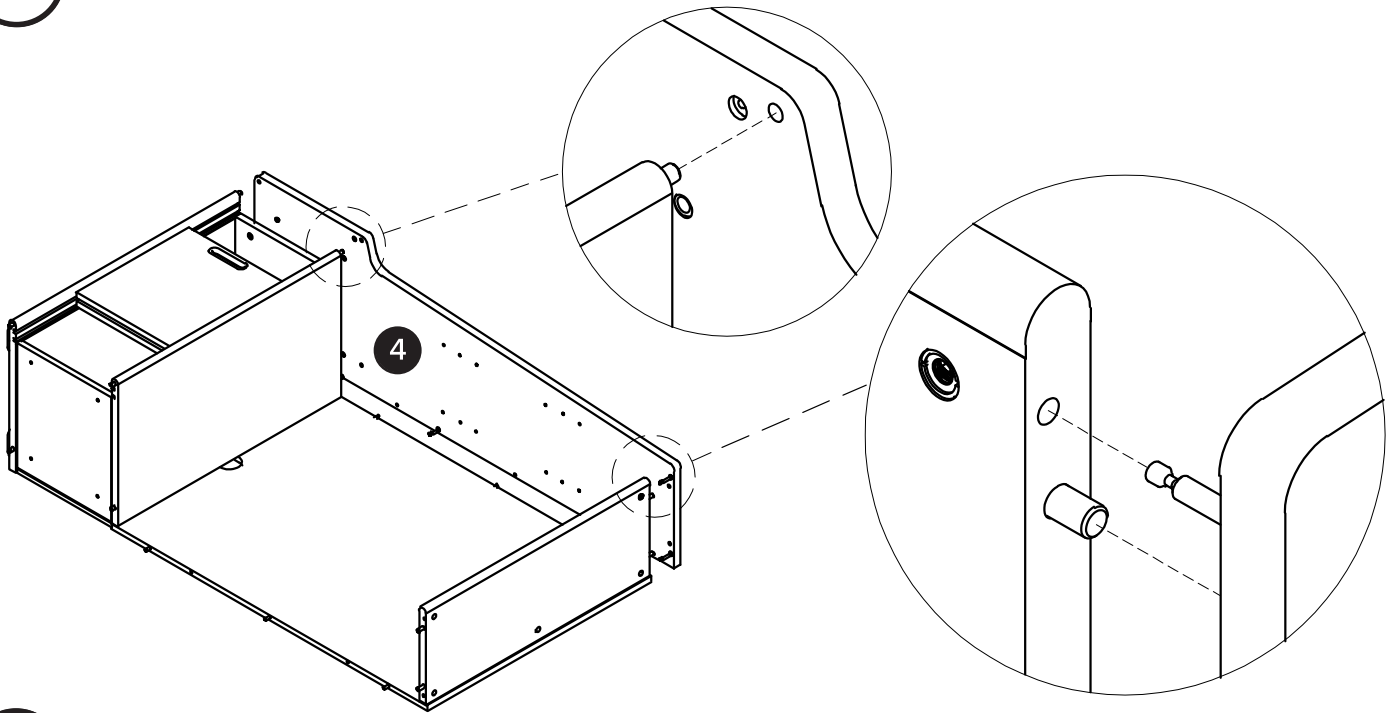


! Holes on barrel nut (A) should align with hole on the top panel (2)

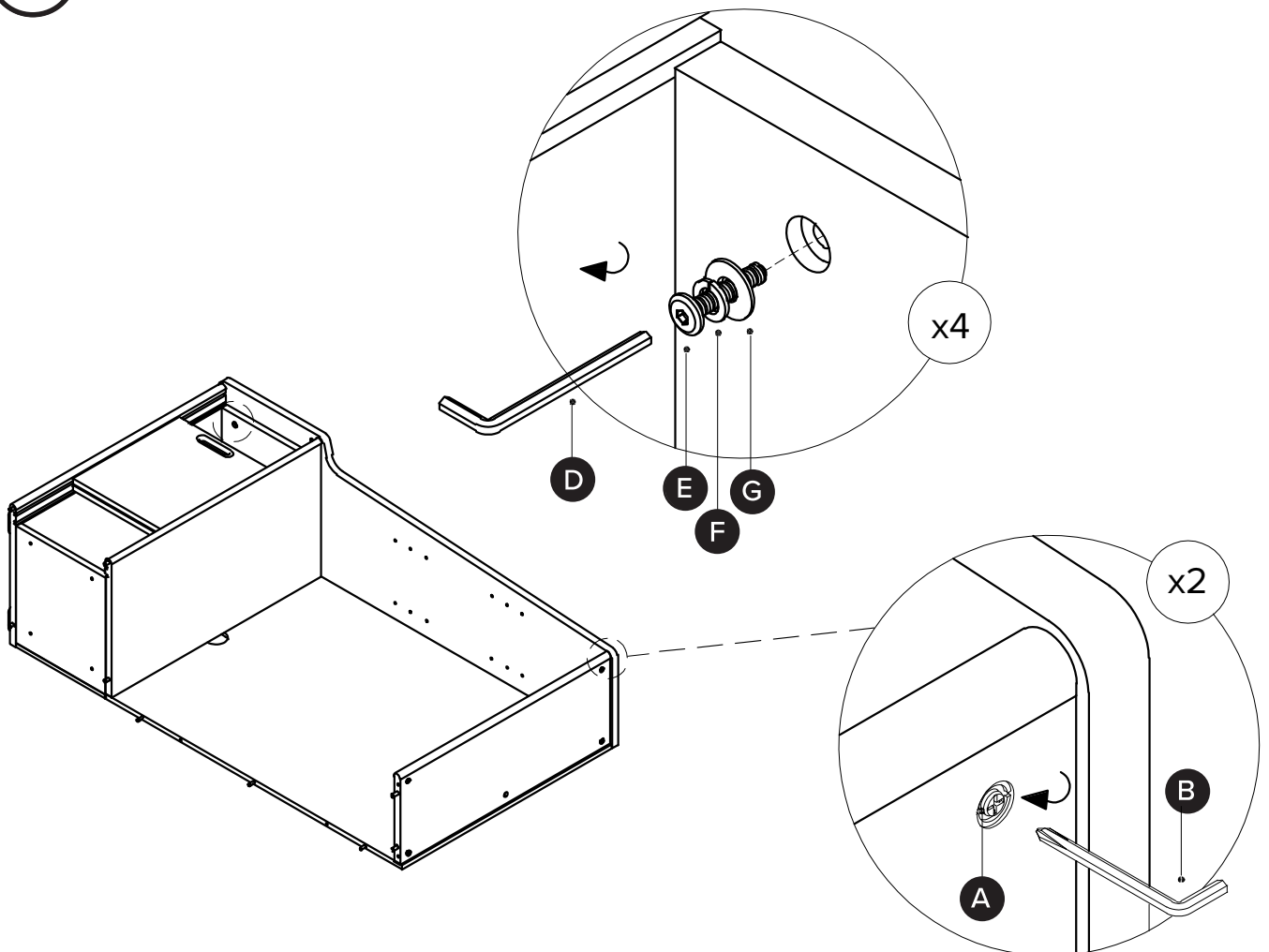
6



7A

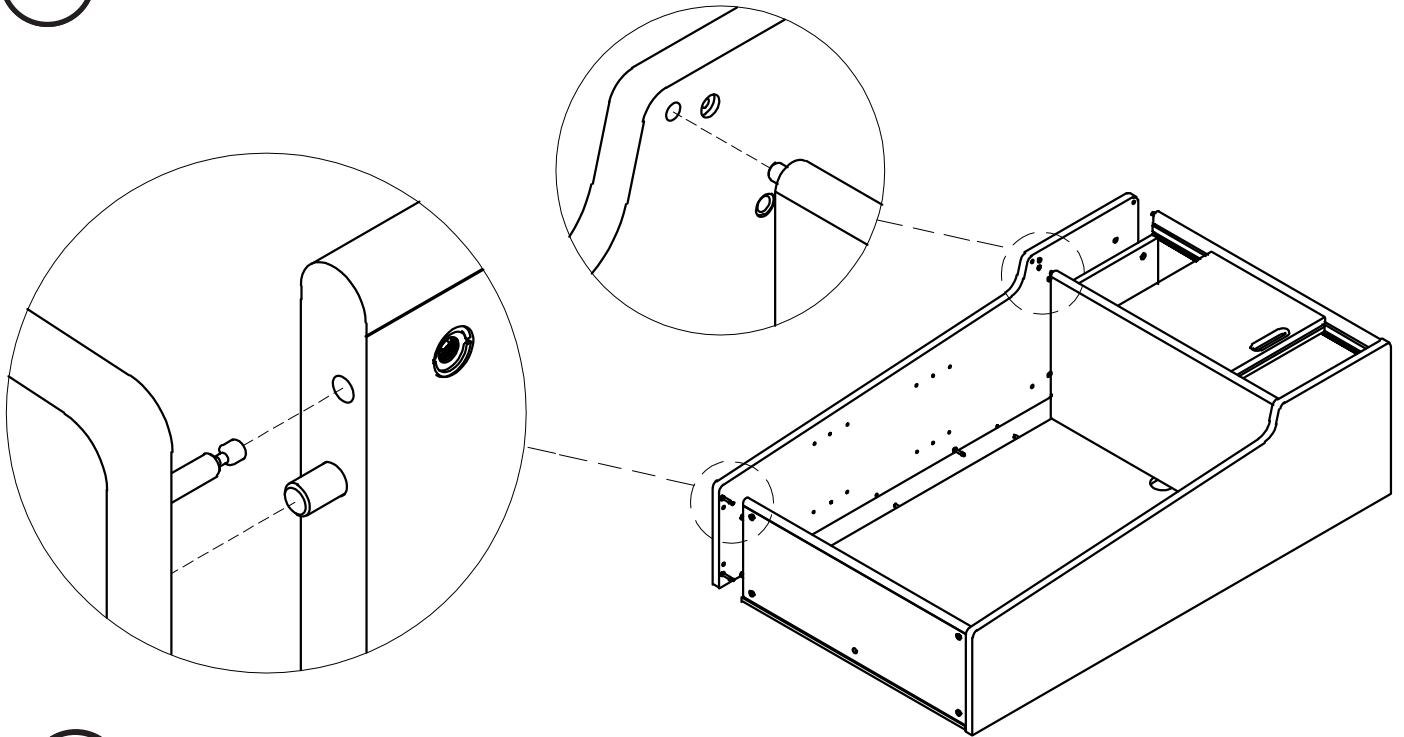


7B

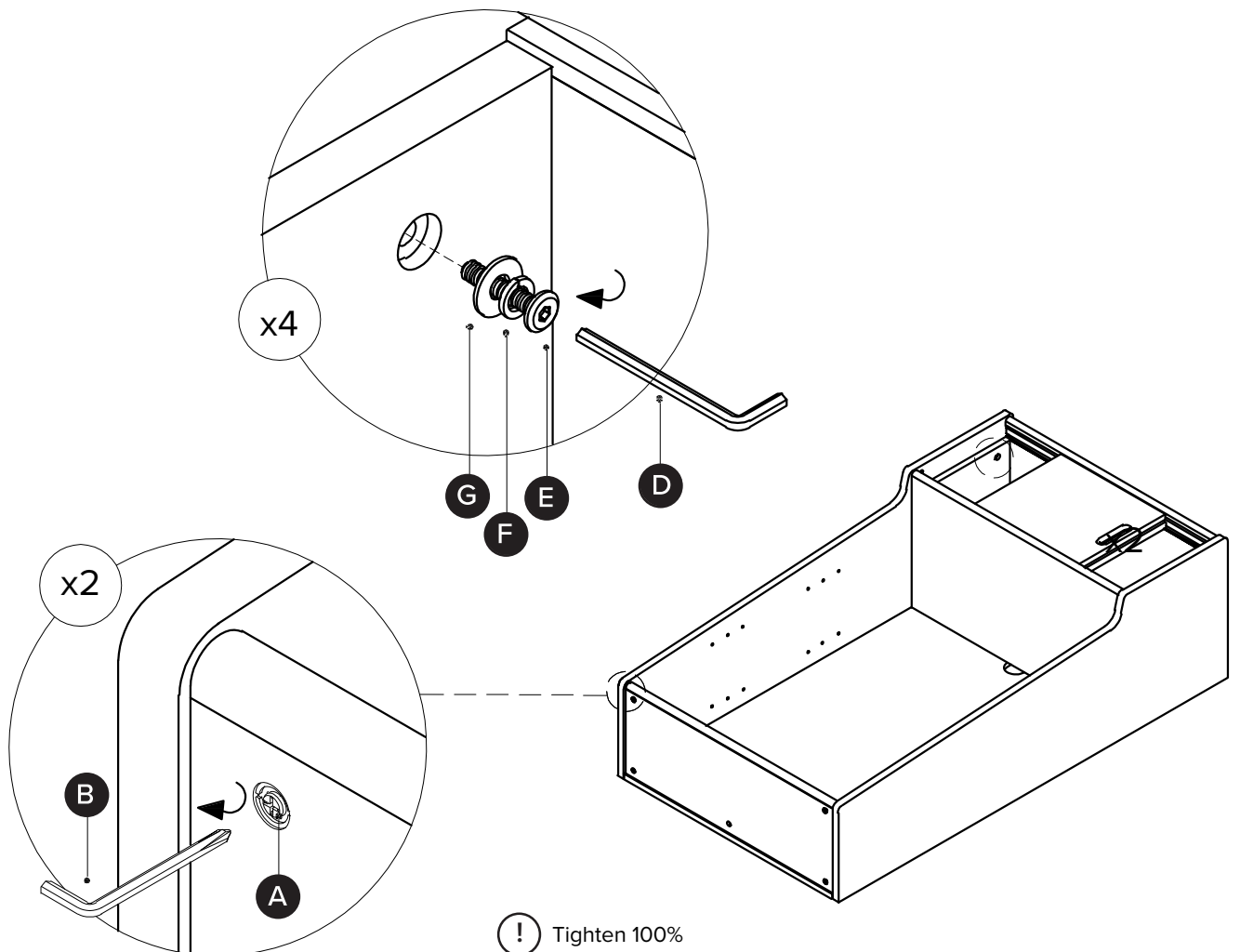


! Tighten 100%

8A

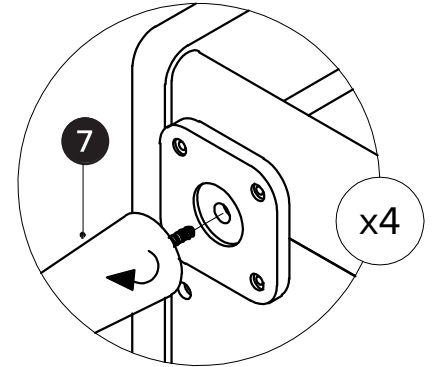
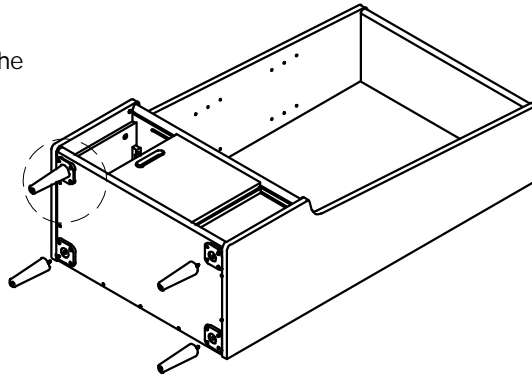
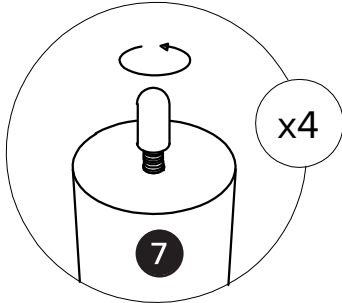


8B



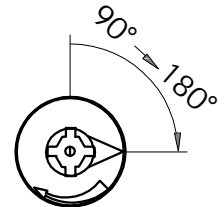
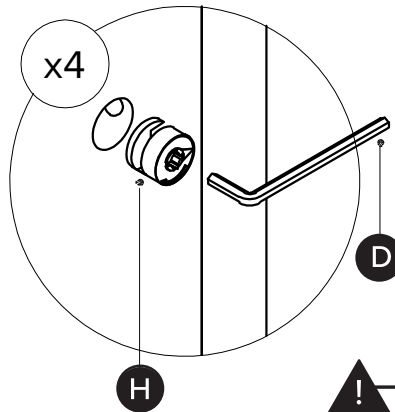
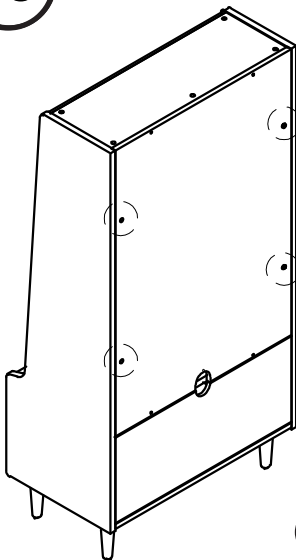
9

! Remove the protection on the leg bolt before assembling.



! Tighten 100%

10

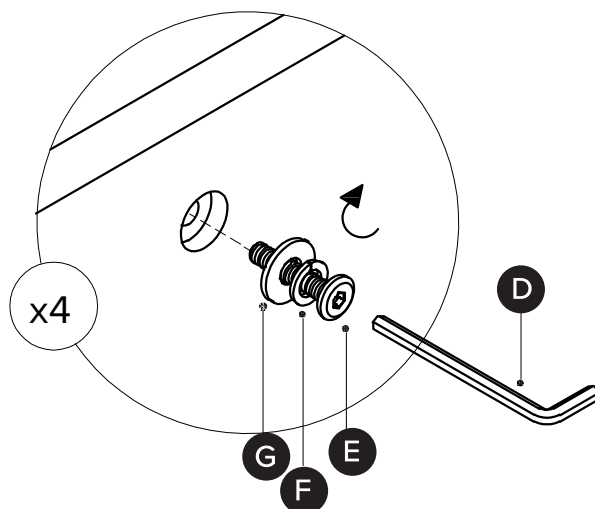
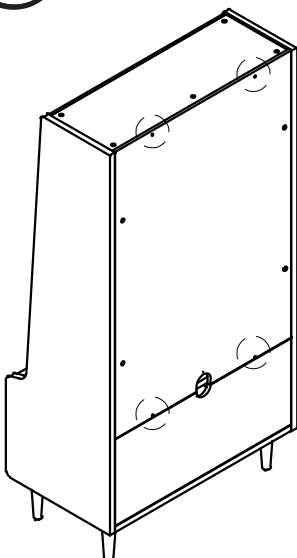


! Tighten 100% by rotating part (H) 90 degree.

CAUTION!

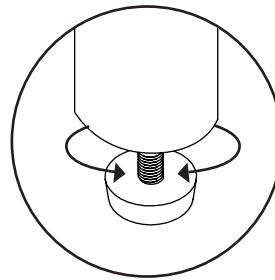
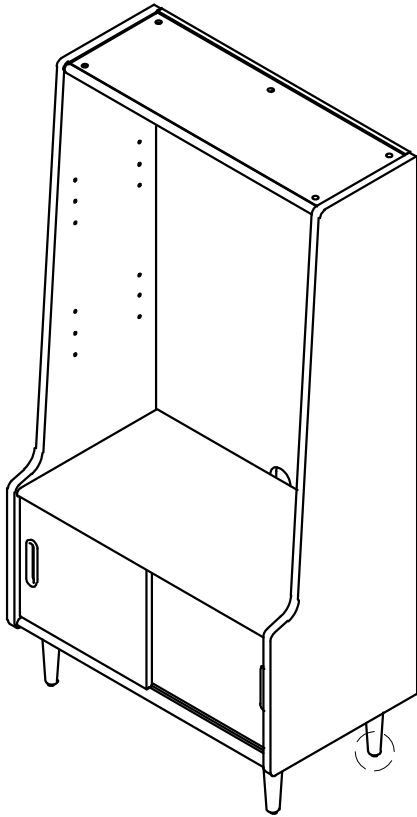
Please take care when lifting, this unit is very heavy! Do not drag the unit when moving, must be lifted to prevent damaging the legs!

11



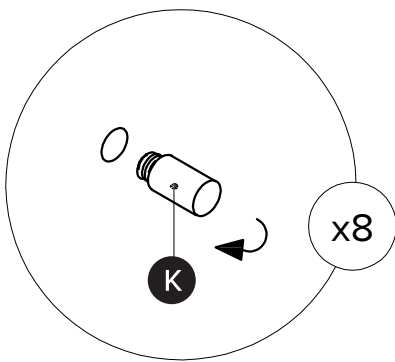
! Tighten 100%

12

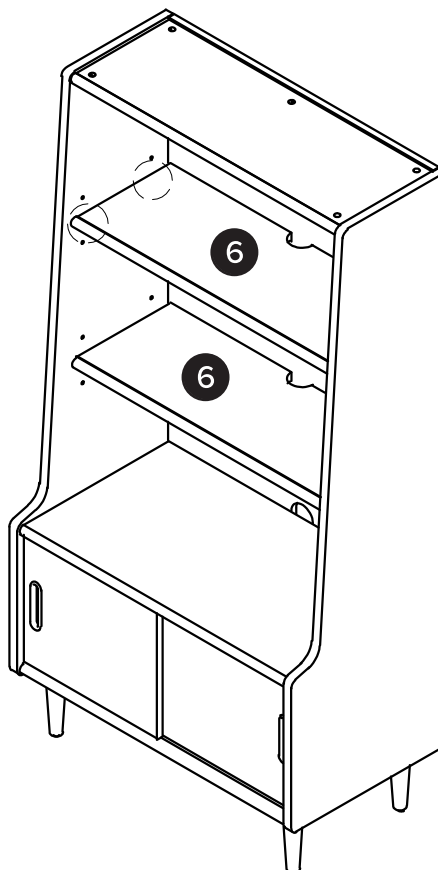


! Adjust levelers as needed.

13



! Tighten 100%



1010 Raymur Ave.
Vancouver, BC V6A 3T2



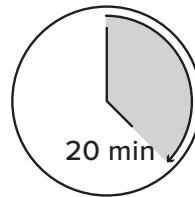
ANTI-TIP RESTRAINT INSTALLATION

WARNING!

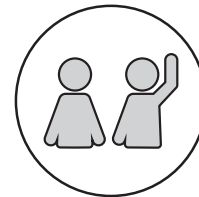
Serious or fatal crushing injuries can occur from furniture tip-over. To help prevent tip-over:

- Install tip-over restraint provided.
- Do not set heavy objects on top of this product, unless the product is specifically designed to accommodate them.
- Never allow children to climb or hang on mirrors, shelves, consoles, or cabinets with doors and/or drawers.

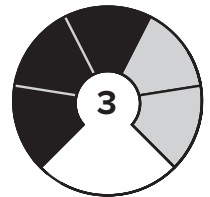
Use of tip-over restraints may only reduce but not eliminate, the risk of tip-over.



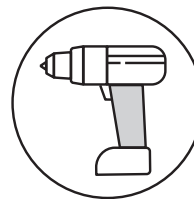
TIME



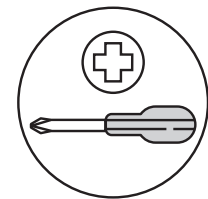
OF PEOPLE





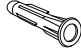
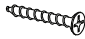

DIFFICULTY



REQUIRED TOOL
8MM / 5/16" DRILL BIT



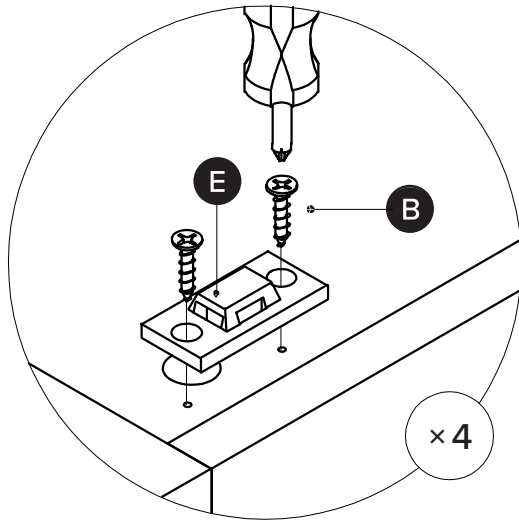
REQUIRED TOOL

PARTS INVENTORY		
ID	DESCRIPTION	QTY
A	STRAP 	2
B	M4 × 20MM SCREW 	4
C	M8 × 51MM PLUG 	4
D	M6 × 70MM SCREW 	4
E	BRACKET 	4



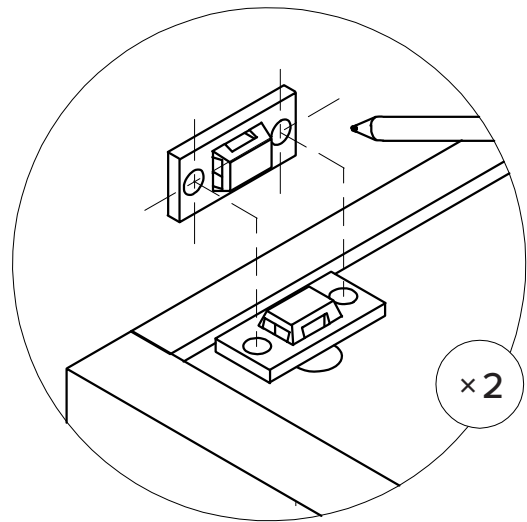
Hardware (C/D) to attach brackets to wall is designed for drywall. To attach this unit to another type of wall, consult with your local hardware store.

1



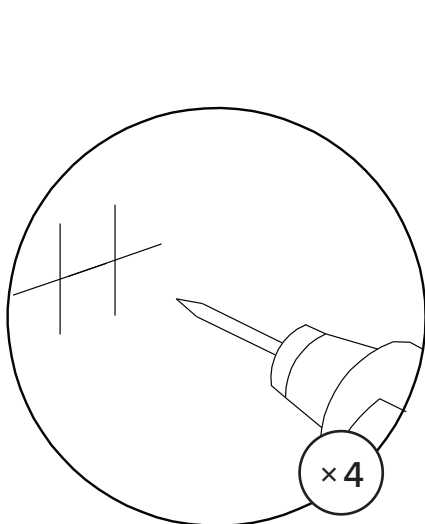
Attach pair of brackets to top corners of the back of the unit. Note there are no existing pilot holes on the product.

2

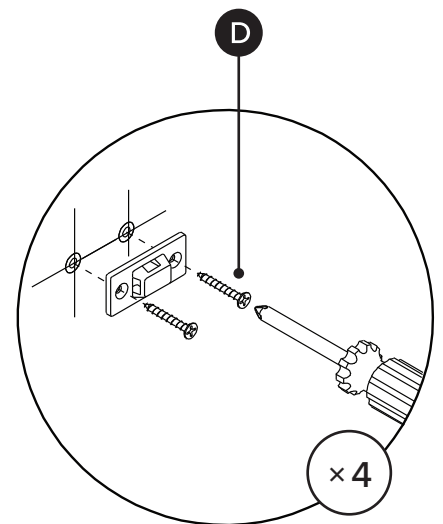
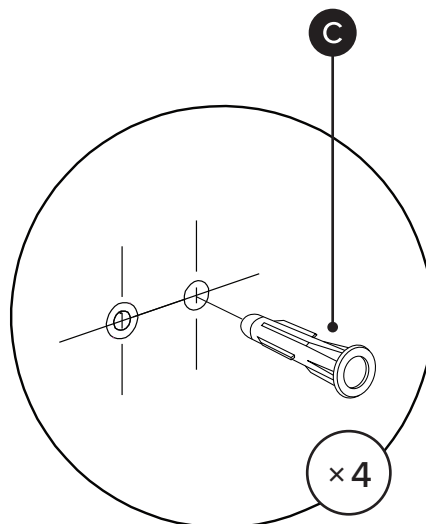


Mark on wall where second pair of brackets should be placed.

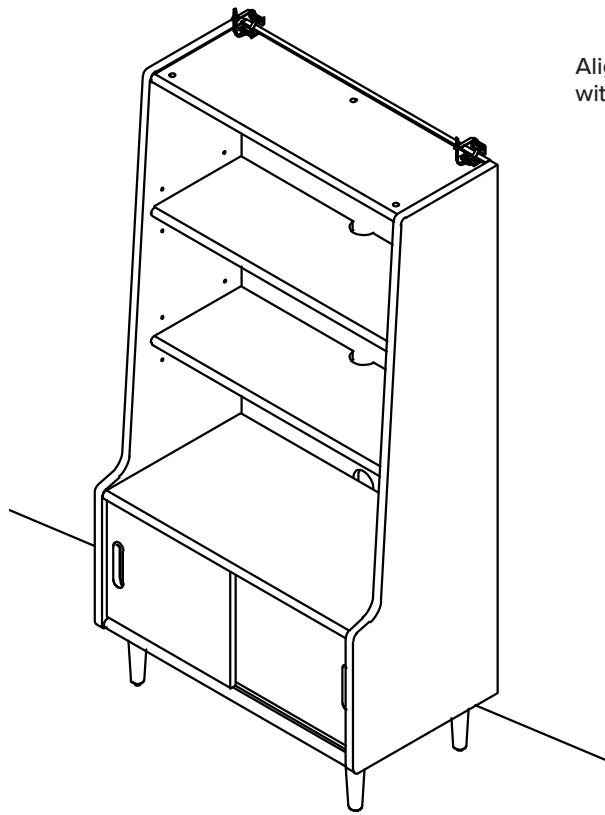
3



Drill holes in wall using 10mm / 13/32" drill bit.

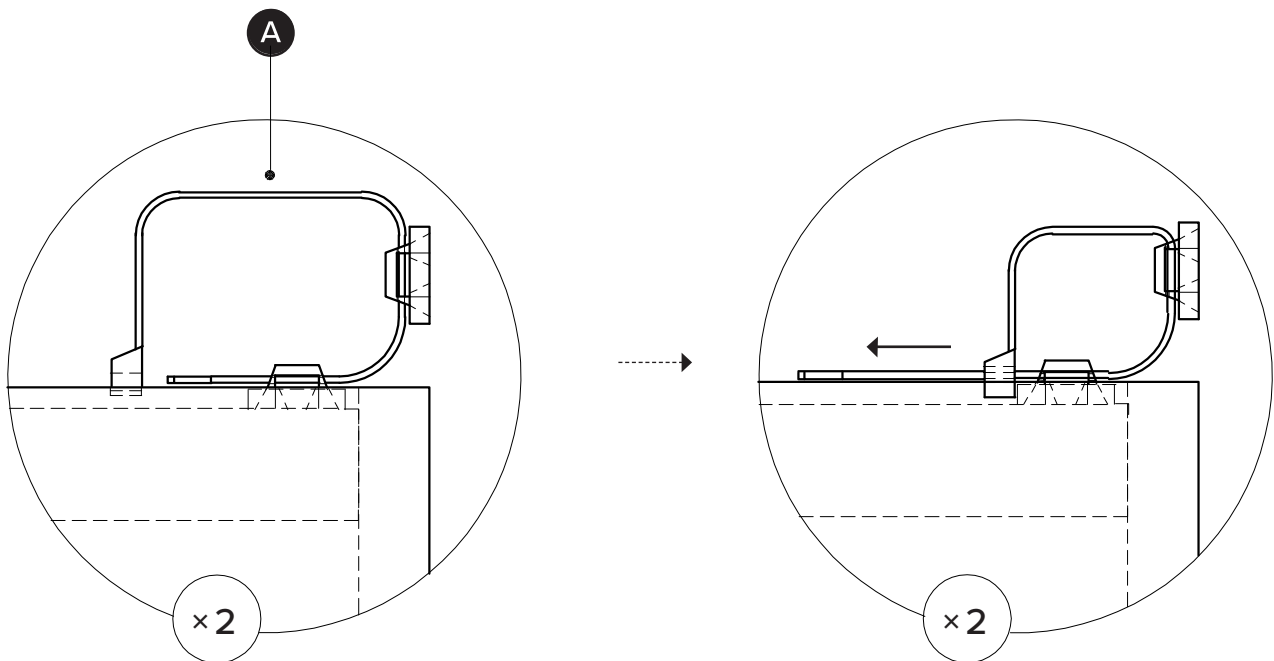


4A



Align brackets on unit with brackets on wall.

4B



Pull strap down until it snap-locks.