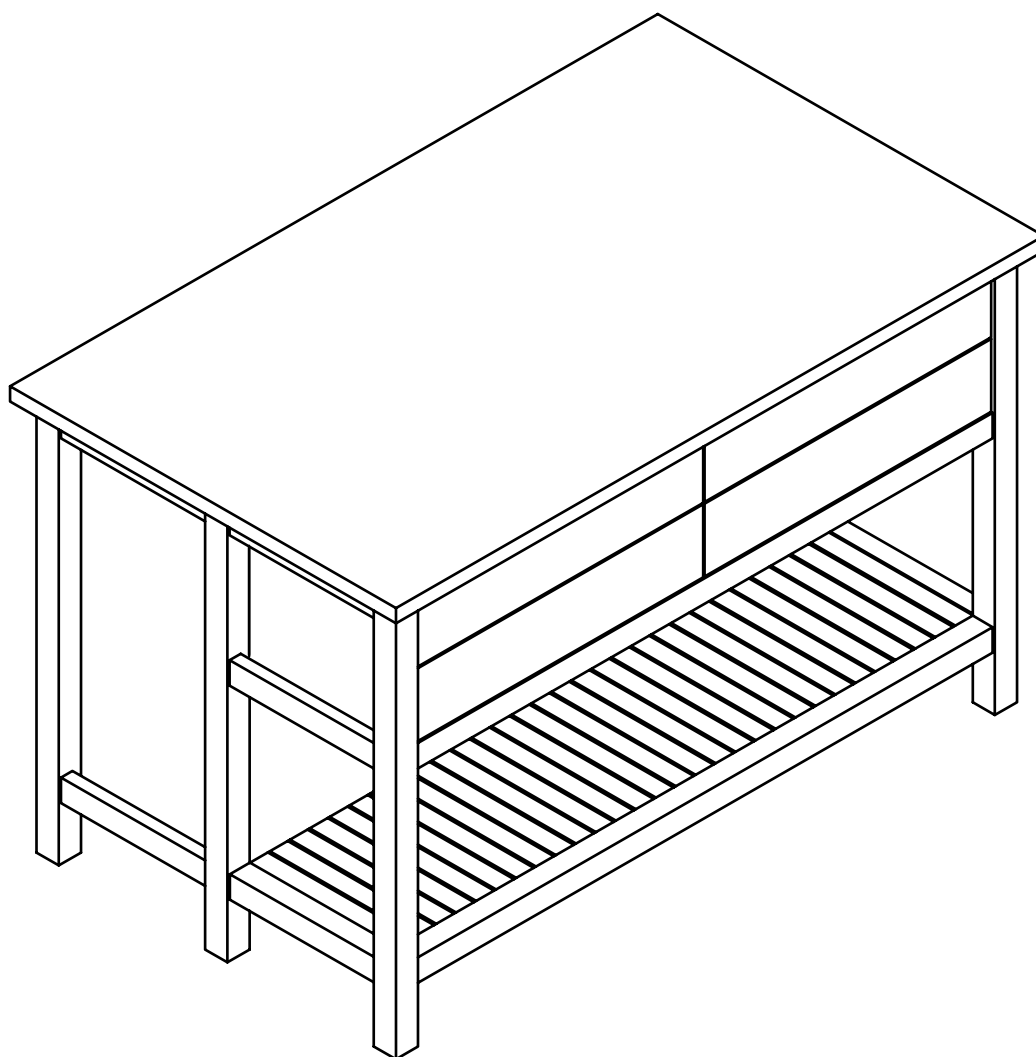


ARTICLE.

VERSION 1.1

Assembly Instructions



QUINCY

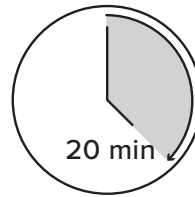
Kitchen Island

ASSEMBLY INSTRUCTIONS

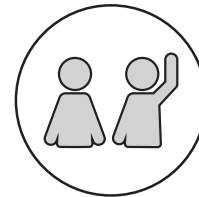
Read these instructions carefully and keep for future reference. Refer to parts inventory for guidance, and ensure you have all pieces before starting.

When assembling, place all parts on a soft, clean, and flat surface such as a carpet to prevent scratches.

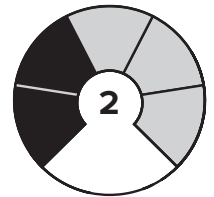
If you're having difficulty, our friendly Customer Care team is always here to help. Call us at **1.888.746.3455** during business hours, email service@article.com or chat live at [article.com](https://www.article.com).



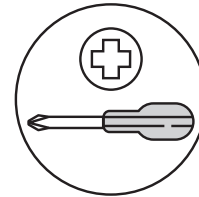
TIME




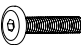

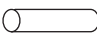

OF PEOPLE

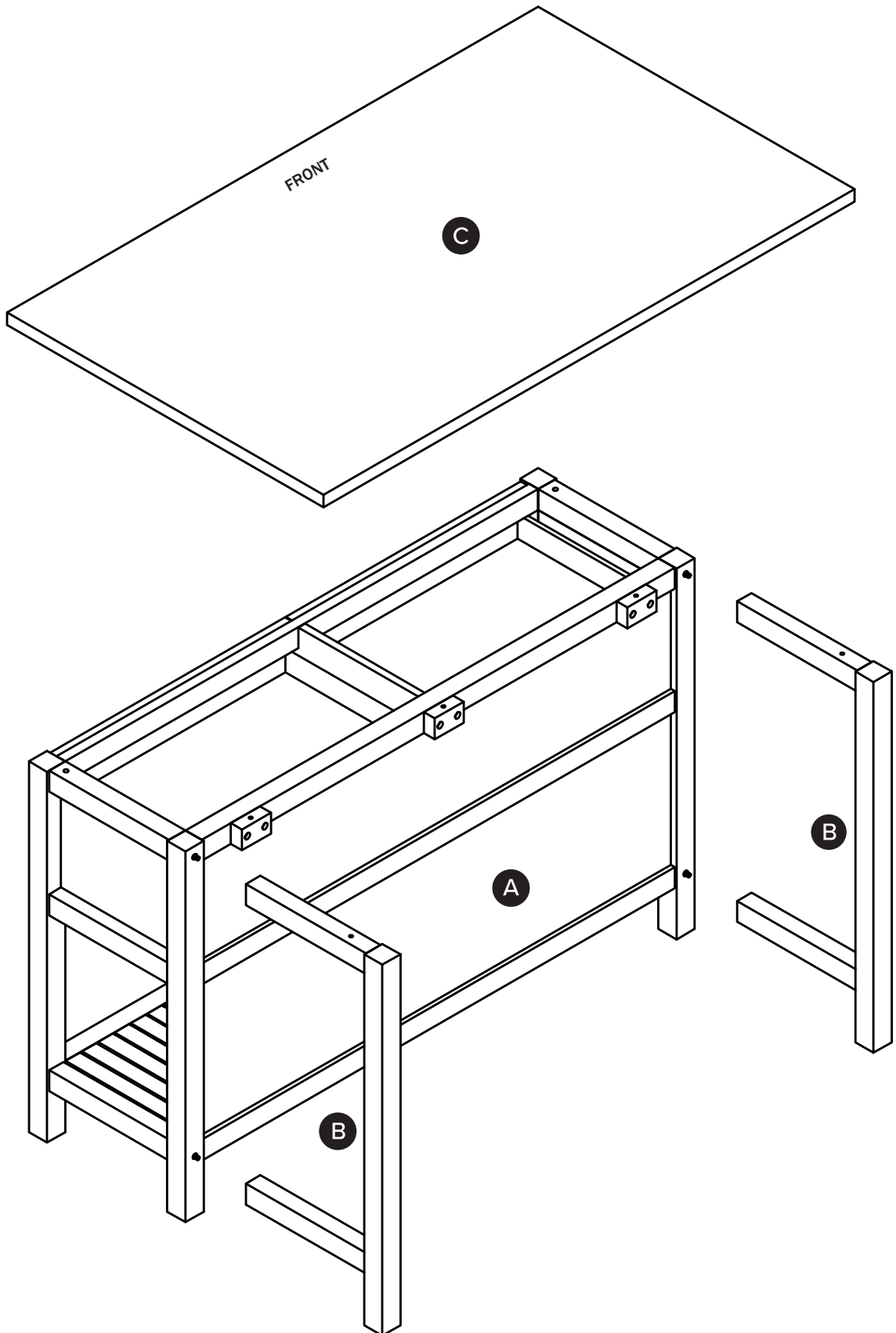


DIFFICULTY



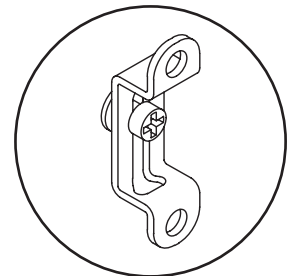
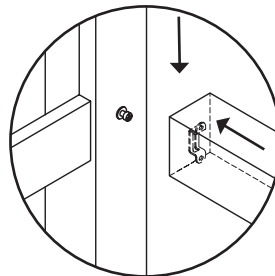
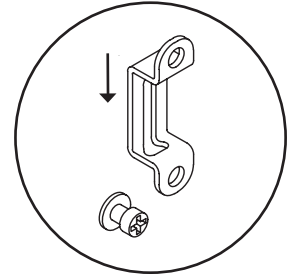
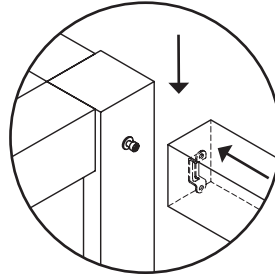
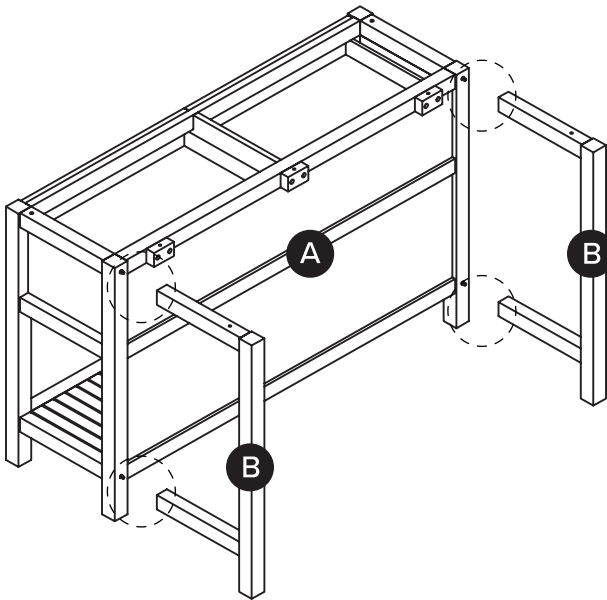
REQUIRED TOOLS

PARTS INVENTORY		
ID	DESCRIPTION	QTY
A	BASE	1
B	LEG FRAME	2
C	TOP	1
D	M6 LOCK WASHER 	5
E	M6 × 30MM BOLT 	5
F	ALLEN KEY 	1
G	METAL PIN 	2
H	16 MM WASHER 	5



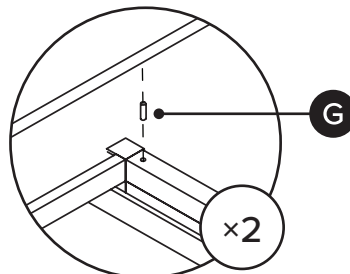
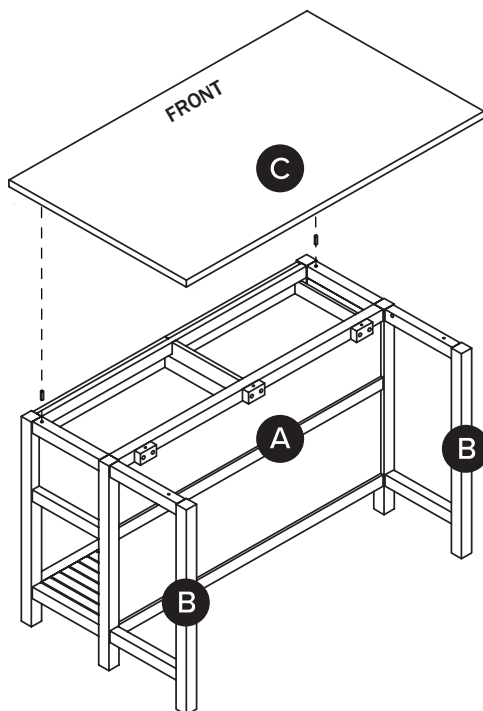
1

! Make sure that the 2 fixed screws on the base (A) are inserted all the way into the fittings on the legs (B) before pushing downwards.

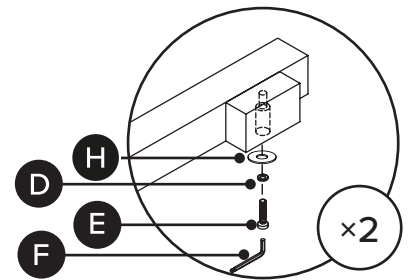
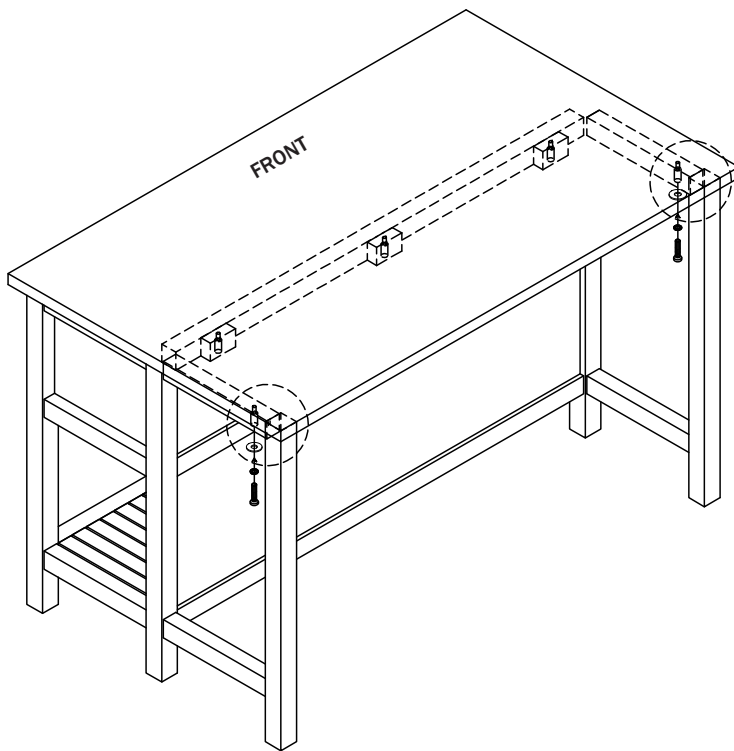


2

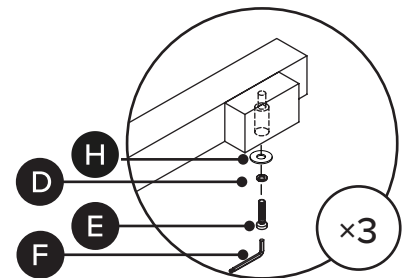
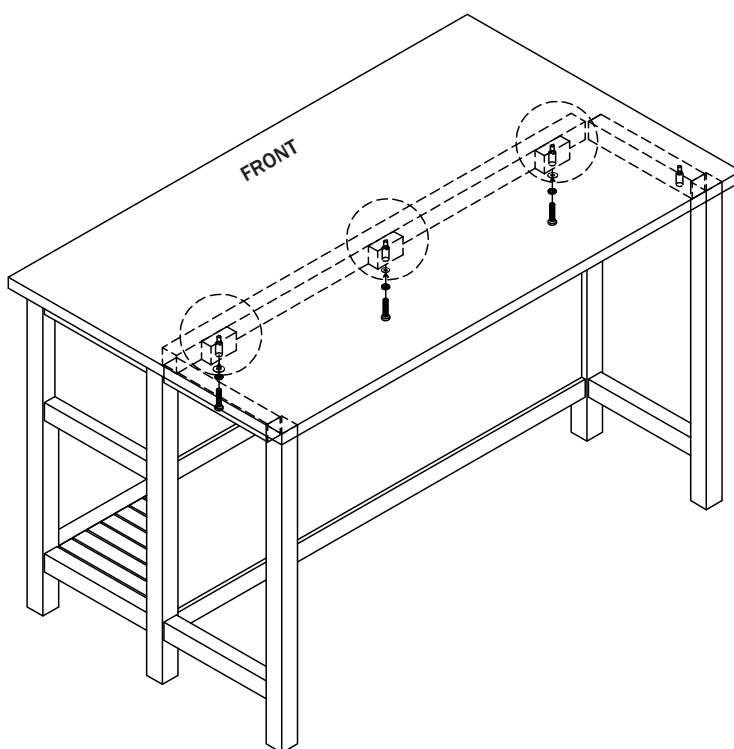
! Make sure the top is aligned with metal pins (G) before assembling the top to the base.



3

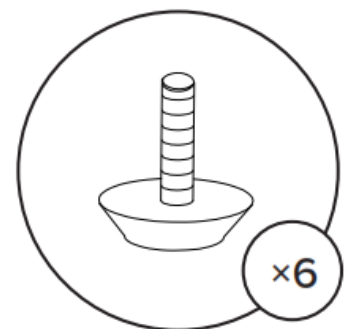
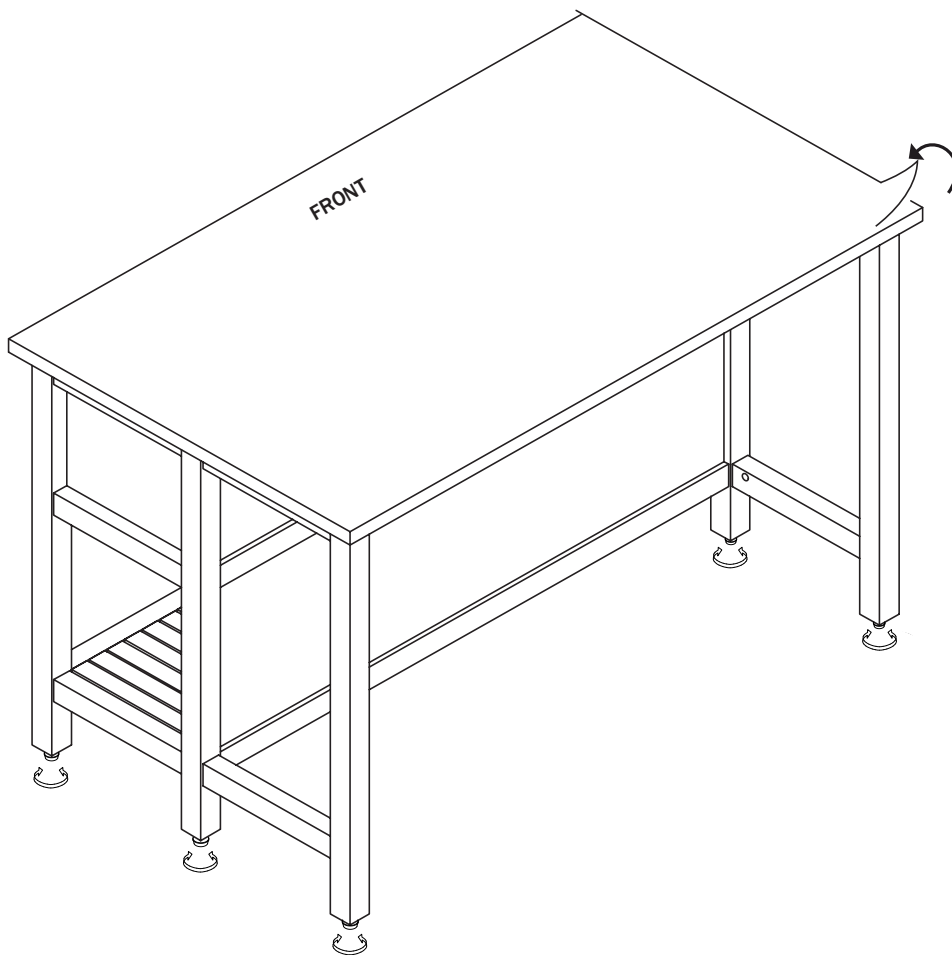


4



5

! Remove the transparent plastic sheet after completing assembly.



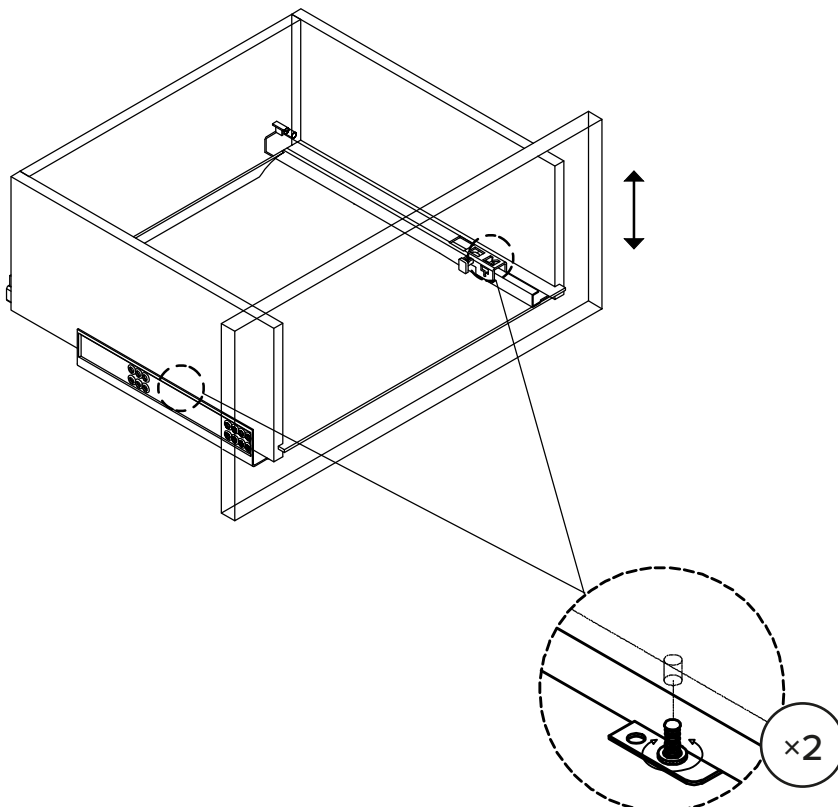
! Adjust levelers as needed.

SOFT CLOSING DRAWERS

ADJUSTMENT INSTRUCTIONS

! Structural integrity is warranted only if all fasteners are properly installed & tightened, and the bed is moved only per instructions.

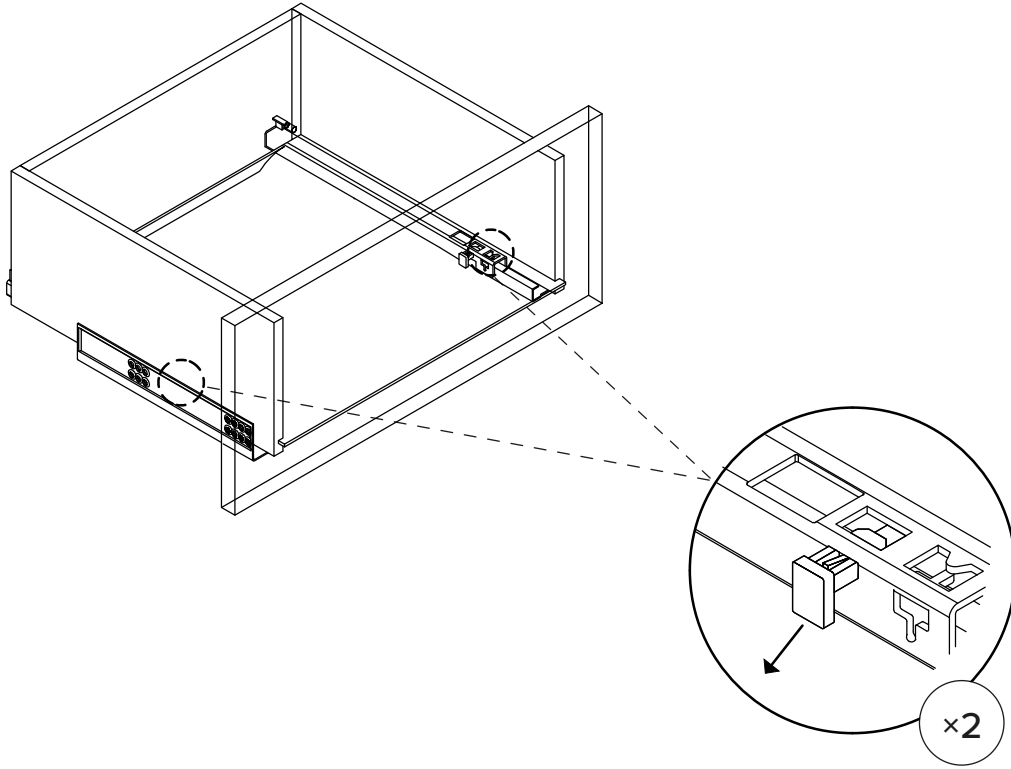
FIXED A CROOKED DRAWER



! During transportation, the drawer may be moved. The height of the slide rails can be adjusted to ensure the drawer is sturdy.

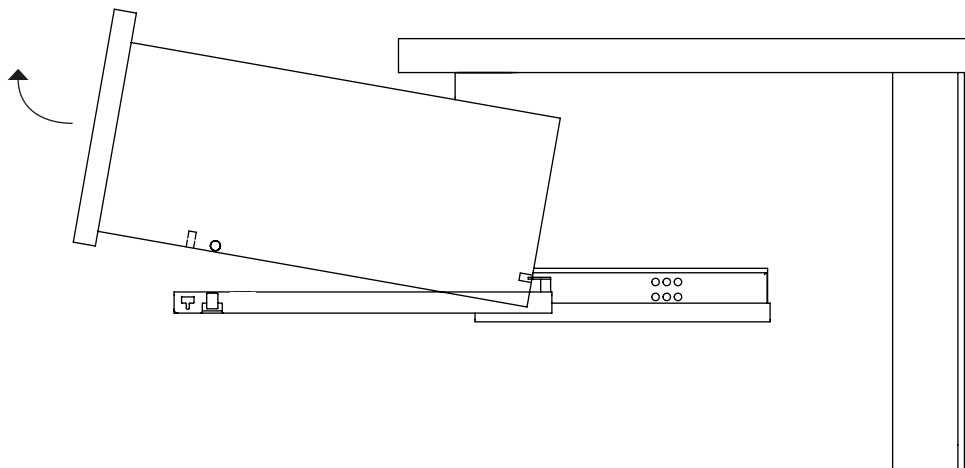
1

REMOVE DRAWER

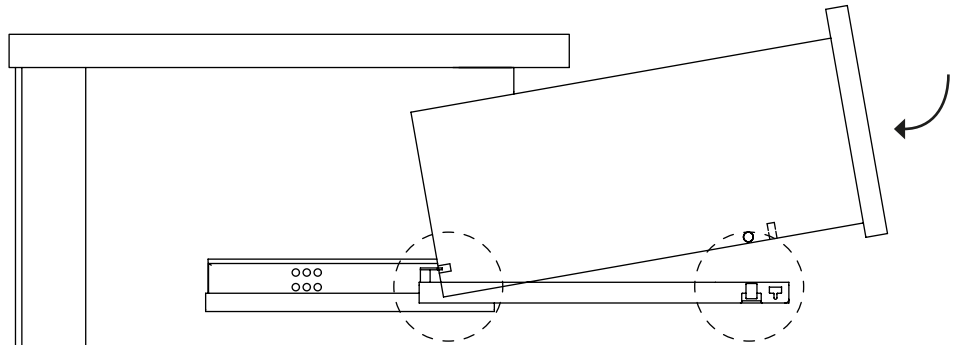
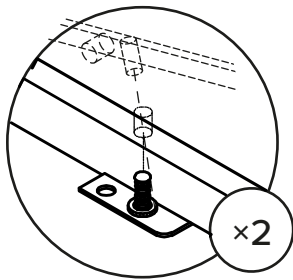
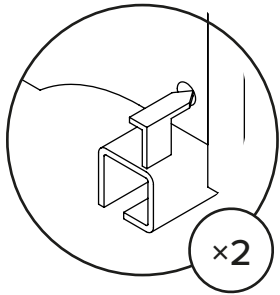


To unlock.

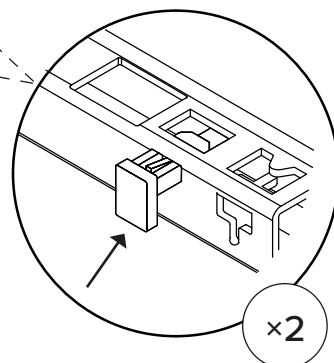
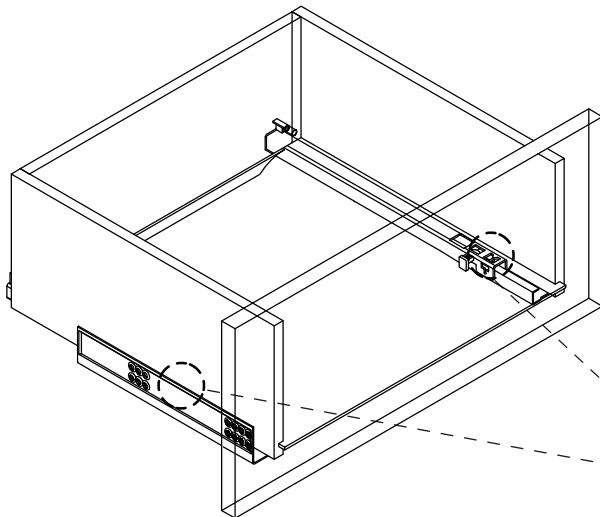
2



1 — INSTALL DRAWER



2



To lock.