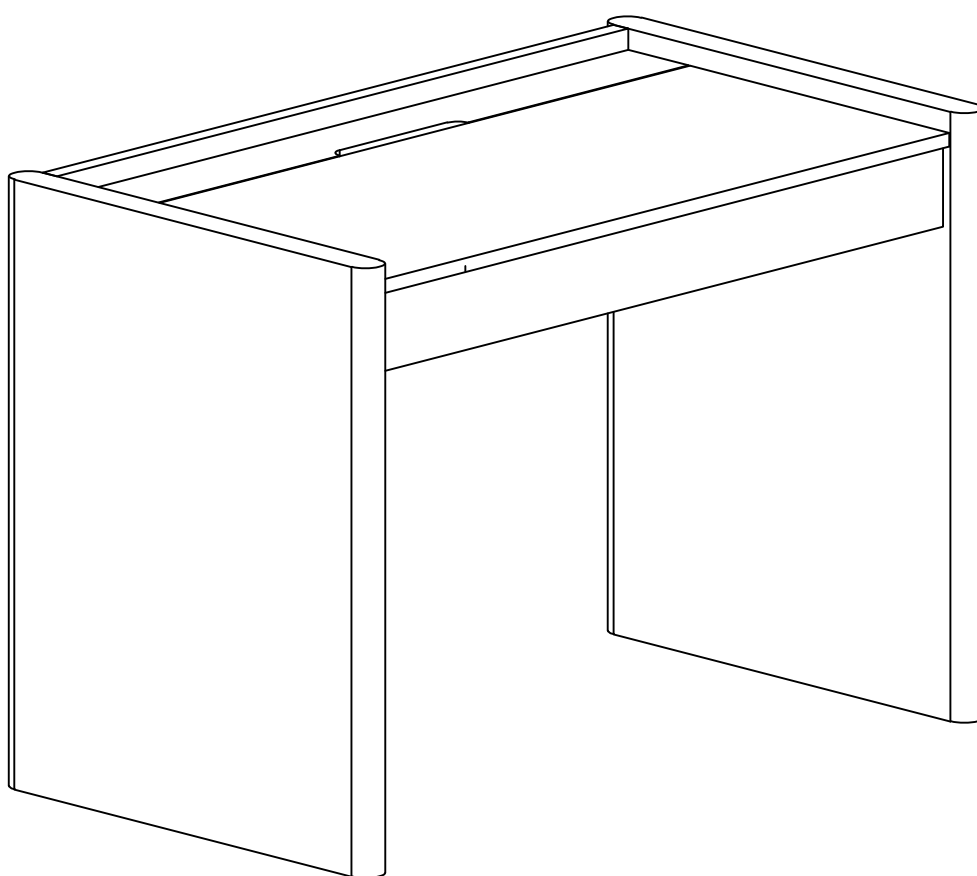


# ARTICLE.

VERSION 1.0

## Assembly Instructions



## TORME

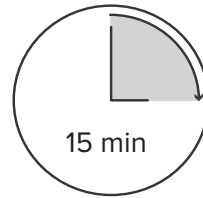
Standing Desk

## ASSEMBLY INSTRUCTIONS

Read these instructions carefully and keep for future reference. Refer to parts inventory for guidance, and ensure you have all pieces before starting.

When assembling, place all parts on a soft, clean, and flat surface such as a carpet to prevent scratches.

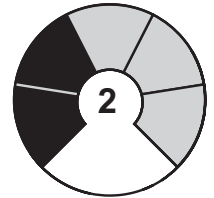
If you're having difficulty, our friendly Customer Care team is always here to help. Call us at **1.888.746.3455** during business hours, email [service@article.com](mailto:service@article.com) or chat live at [article.com](https://article.com).



TIME



# OF PEOPLE








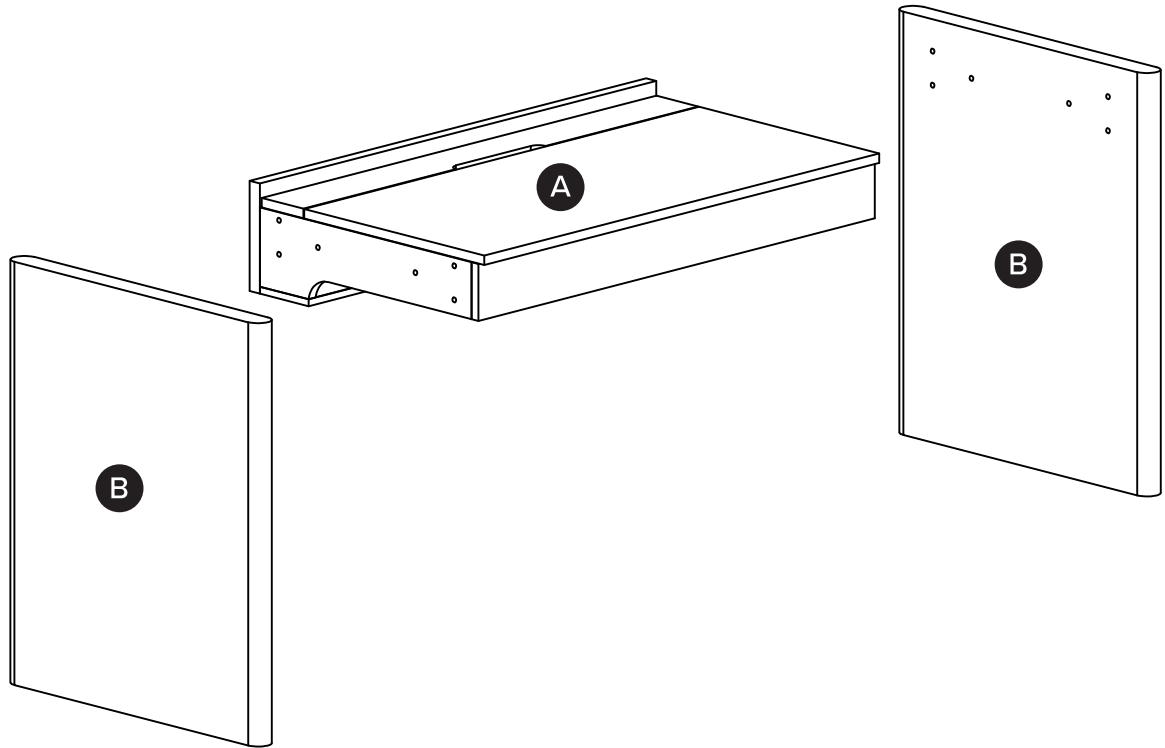
DIFFICULTY

**!** Hardware may loose over time. Check the bolts regularly and tighten if necessary.

PARTS INVENTORY		
ID	DESCRIPTION	QTY
<b>A</b>	TOP	1
<b>B</b>	SIDE PANELS	2

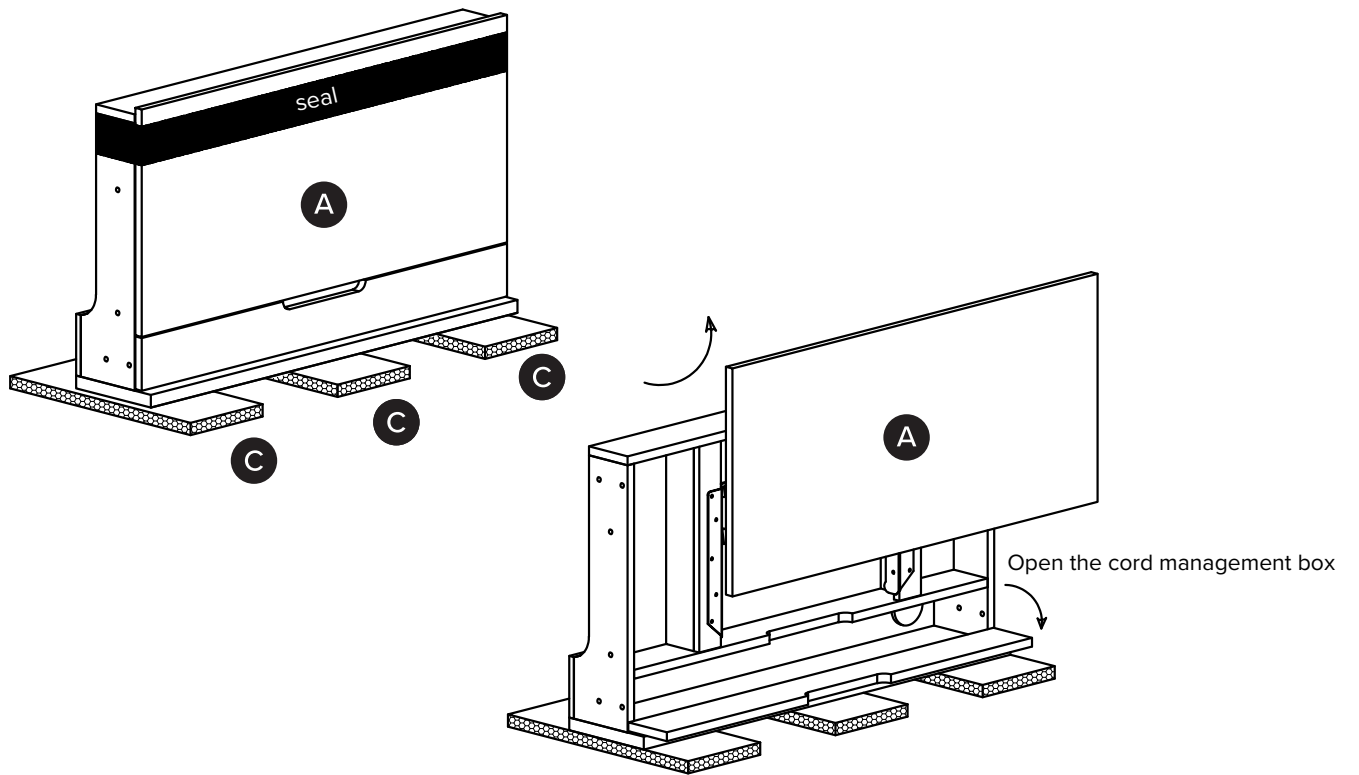
ASSEMBLY TOOL INVENTORY		
ID	DESCRIPTION	QTY
<b>C</b>	HONEYCOMB PAPER FOR ASSEMBLY SUPPORT	3

HARDWARE LIST		
ID	DESCRIPTION	QTY
<b>D</b>	ALLEN KEY 	1
<b>E</b>	M6 x 35 BOLT 	8
<b>F</b>	M6 WASHER 	8
<b>G</b>	M6 FLAT WASHER 	8
<b>H</b>	WOODEN DOWEL 	4

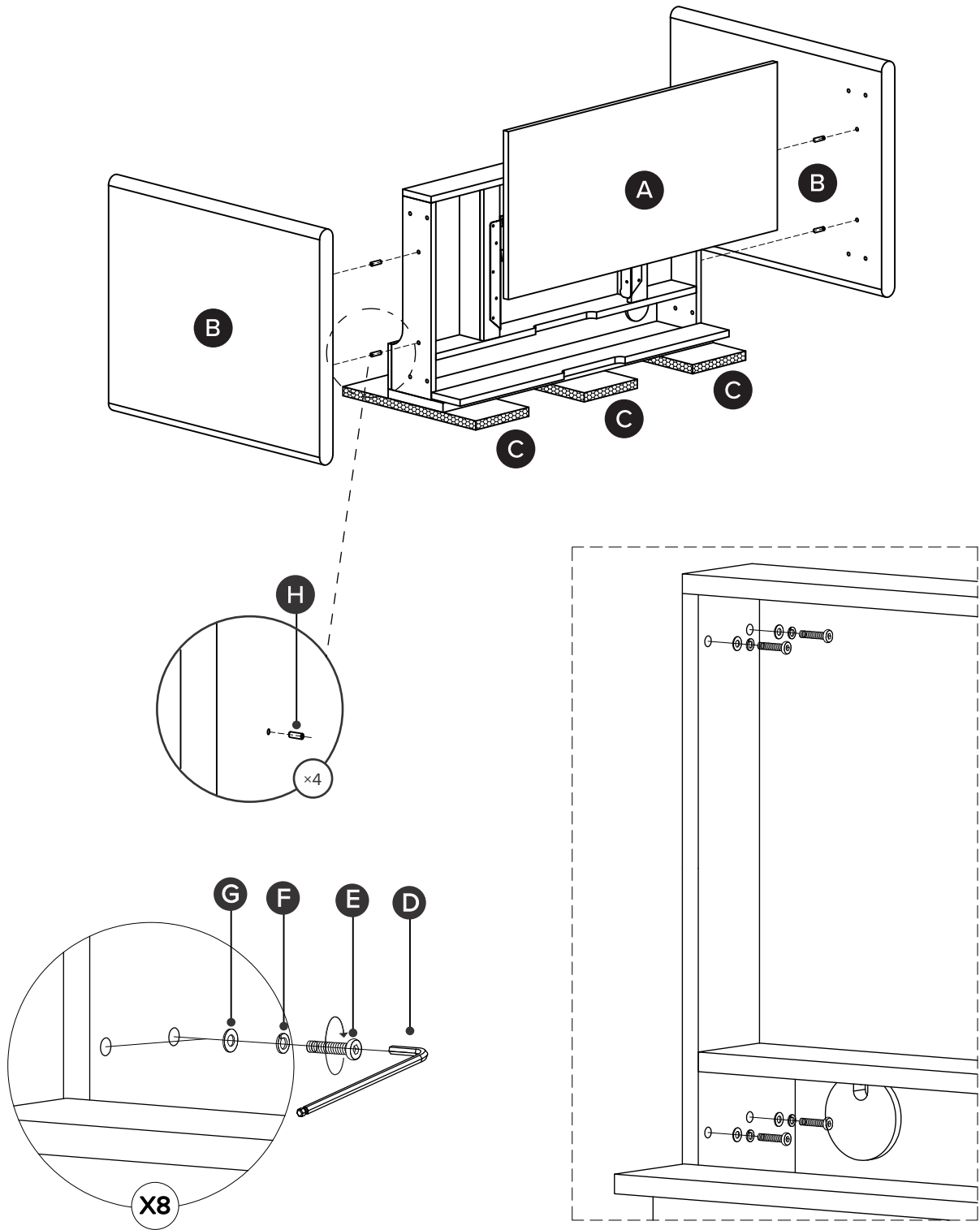


1

! The desk top will automatically pop up as removing the seal !

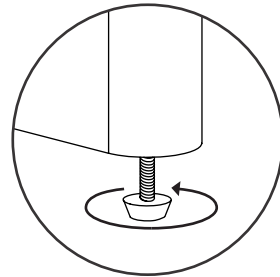
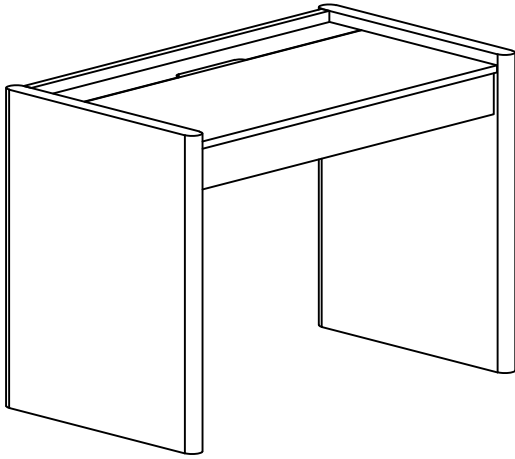


2



3

---

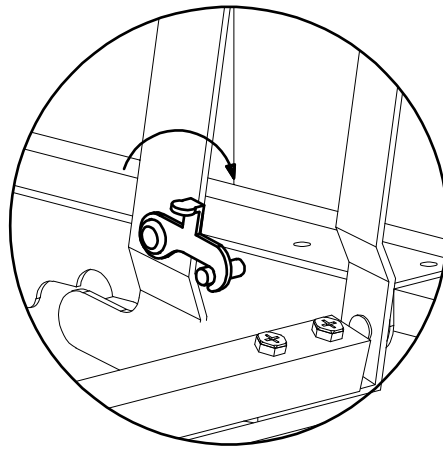


ⓘ Adjust leveler as needed.

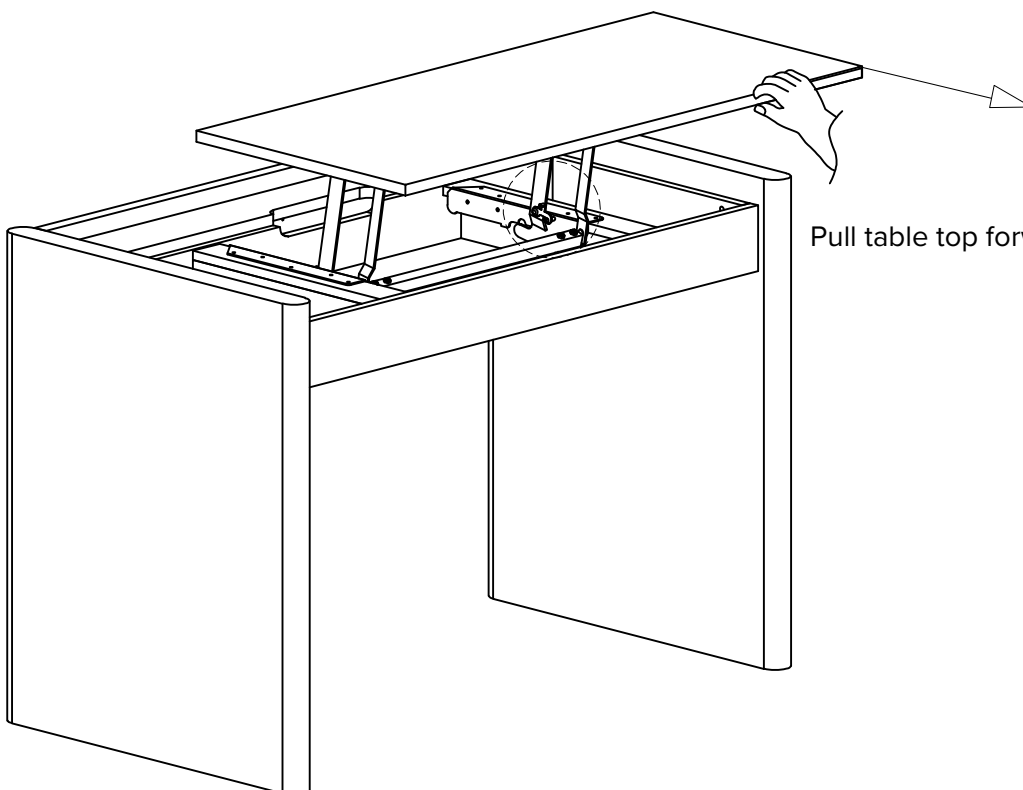
## SAFETY LOCK INSTRUCTIONS

1

Lock at standing position for safety use.



! Desk top at standing position is slightly slope down to the front !

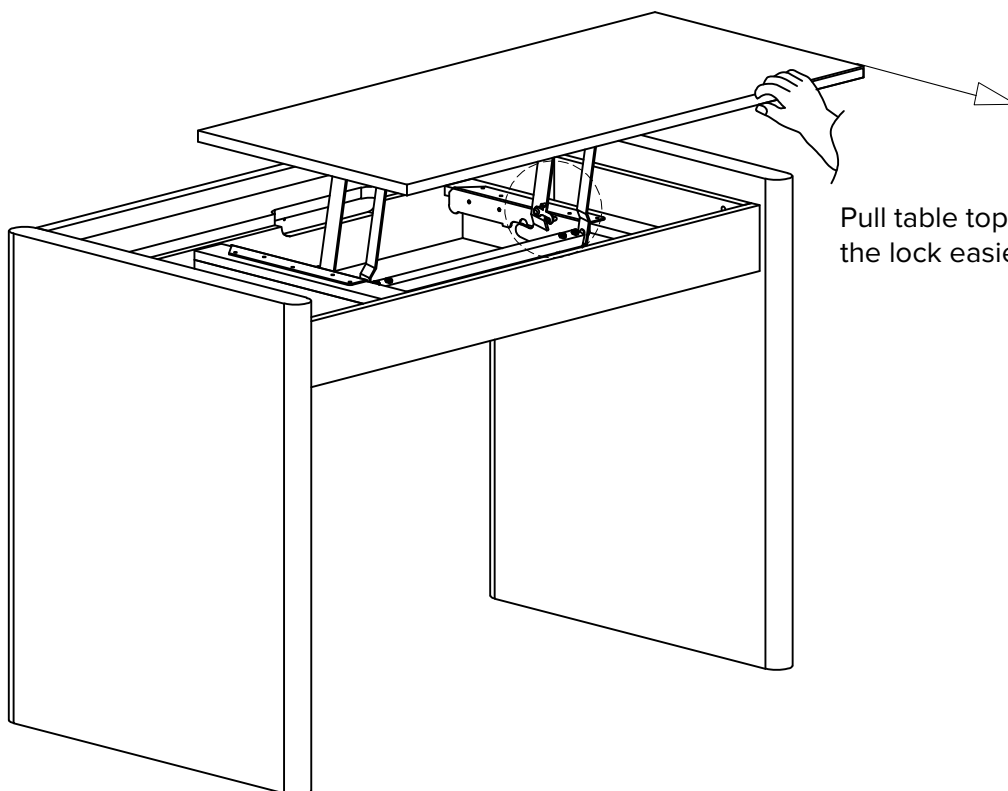
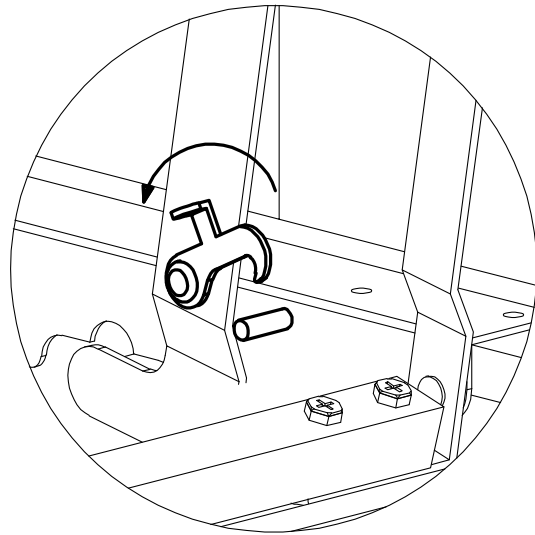


Pull table top forward a little bit to lock easier

## SAFETY LOCK INSTRUCTIONS

2

Open the lock to put the desk top back to sitting position



Pull table top forward a little bit to lift the lock easier