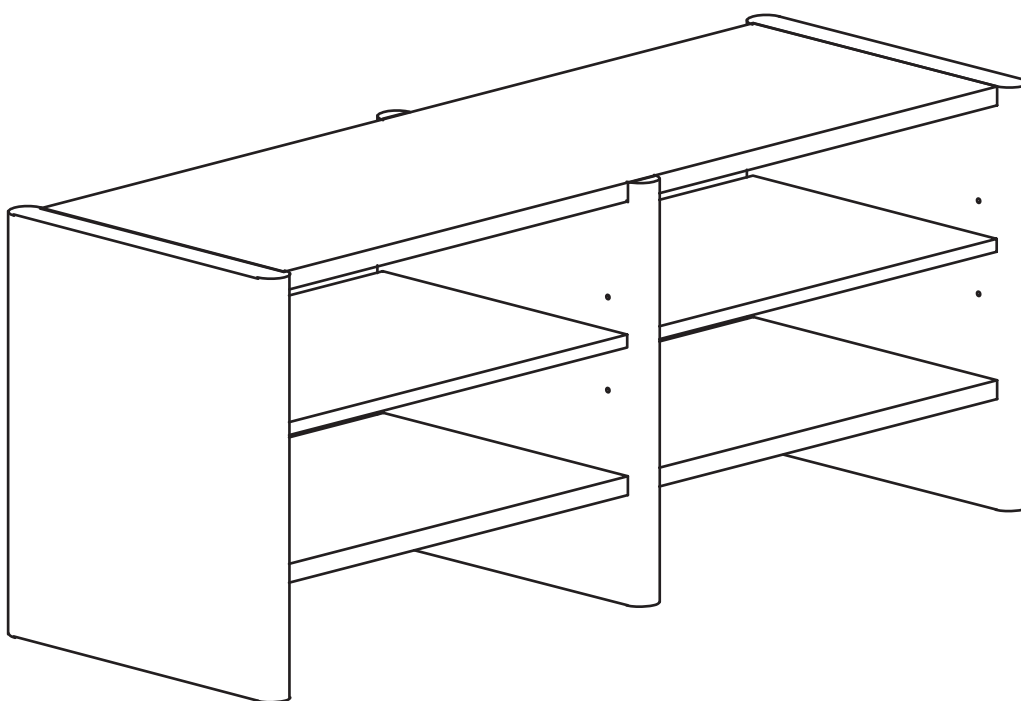


ARTICLE.

VERSION 2.0

Assembly Instructions



TORME

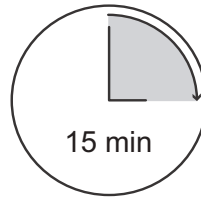
Short Bookcase

ASSEMBLY INSTRUCTIONS

Read these instructions carefully and keep for future reference. Refer to parts inventory for guidance, and ensure you have all pieces before starting.

When assembling, place all parts on a soft, clean, and flat surface such as a carpet to prevent scratches.

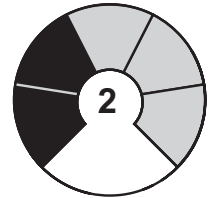
If you're having difficulty, our friendly Customer Care team is always here to help. Call us at **1.888.746.3455** during business hours, email service@article.com or chat live at [article.com](https://www.article.com).



TIME





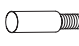



OF PEOPLE

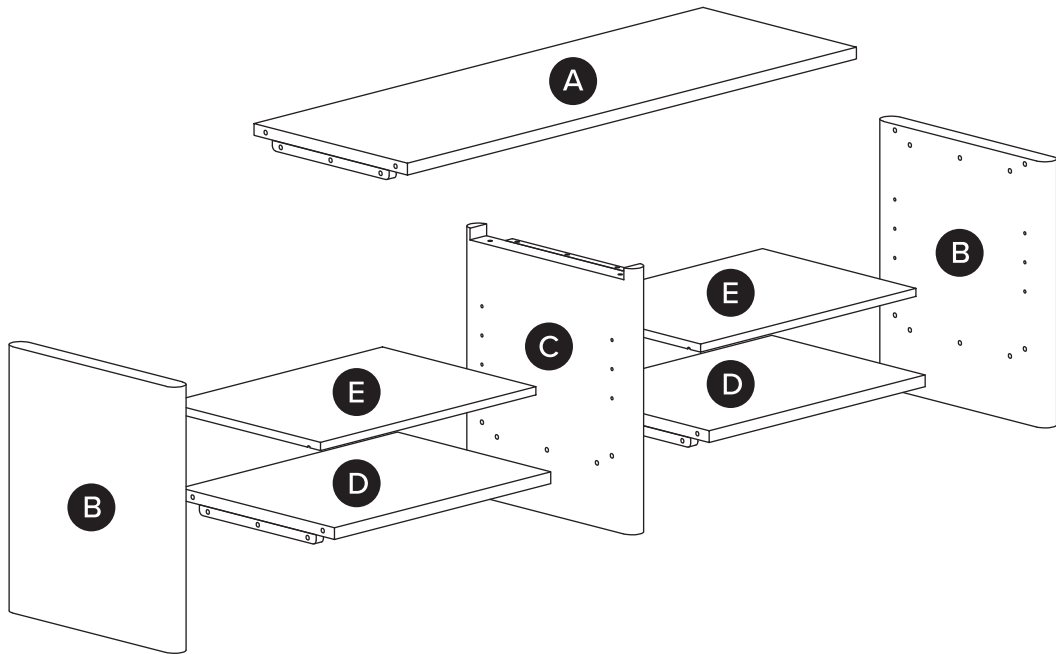


DIFFICULTY

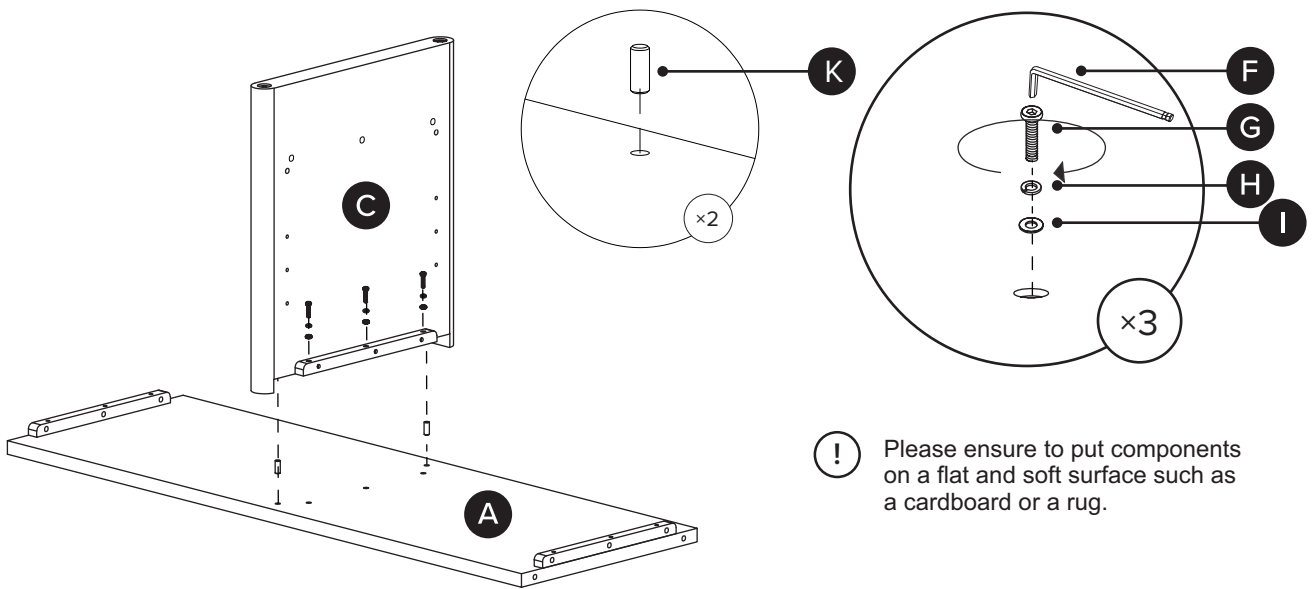
PARTS INVENTORY		
ID	DESCRIPTION	QTY
A	TOP PANEL	1
B	LEGS	2
C	MIDDLE PANEL	1
D	BOTTOM PANEL	2
E	CENTER SHELF	2

PARTS INVENTORY		
ID	DESCRIPTION	QTY
F	ALLEN KEY 	1
G	M6 x 35MM BOLT 	21
H	M6 LOCK WASHER 	21
I	M6 WASHER 	21
J	SHELF PIN 	8
K	WOODEN DOWEL 	14

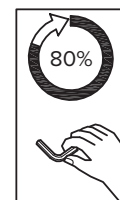
i



1

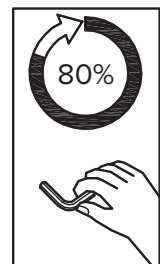
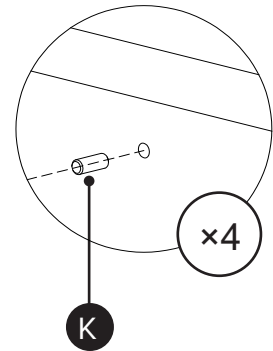
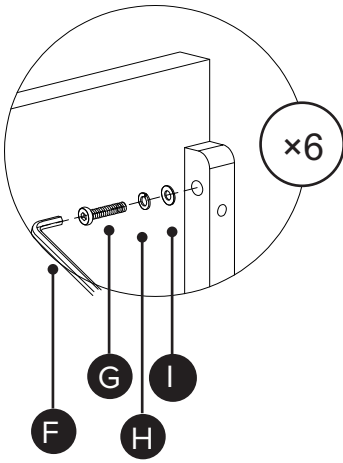
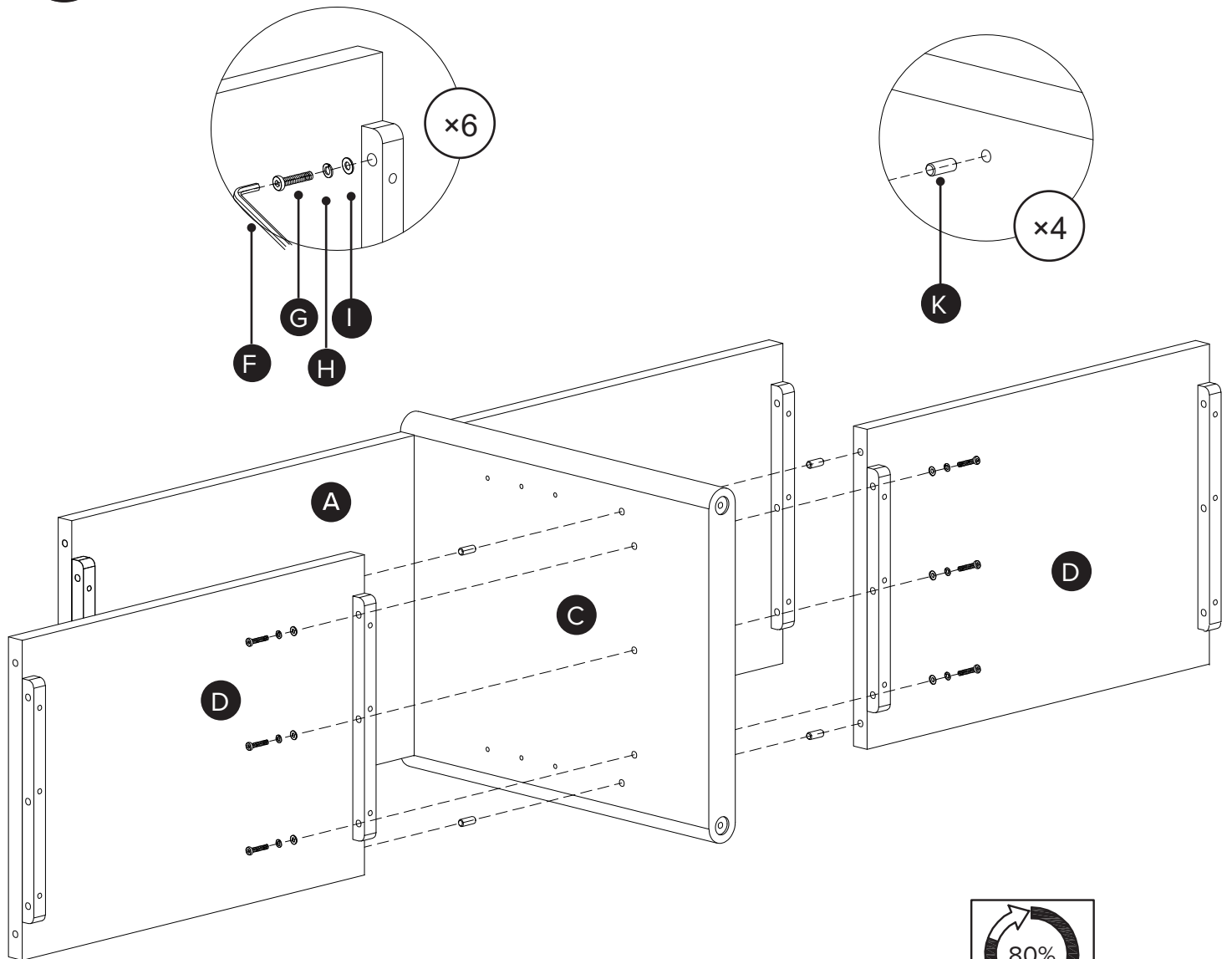


! Please ensure to put components on a flat and soft surface such as a cardboard or a rug.



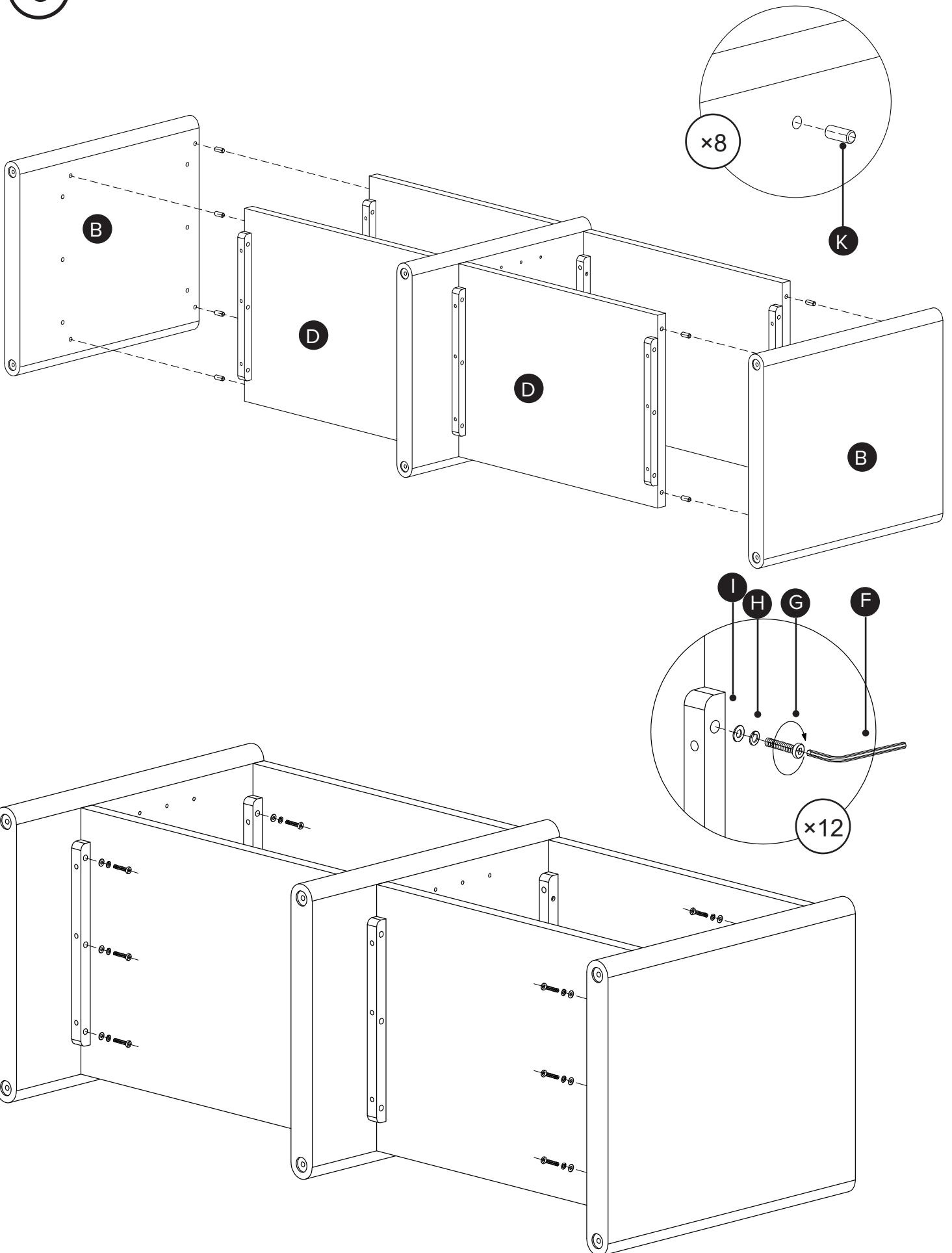
! Tighten 80%

2

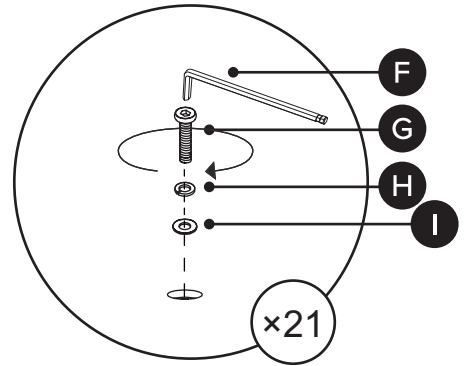
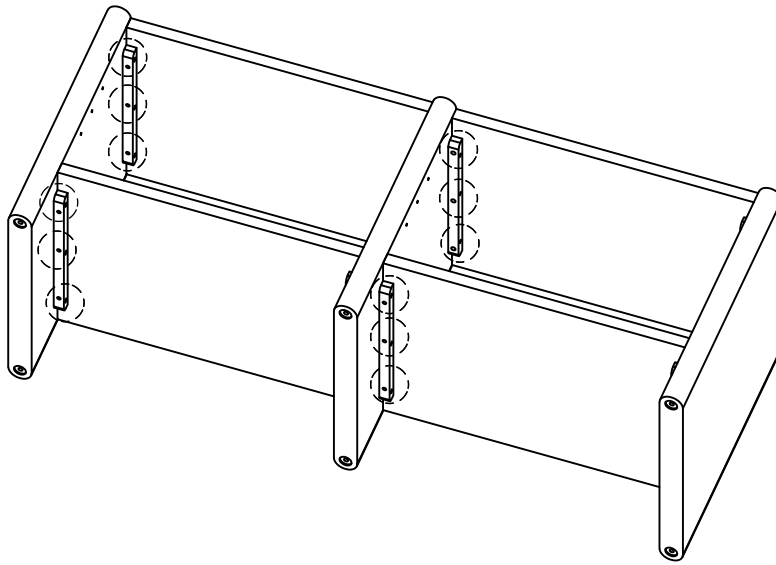


! Tighten 80%

3

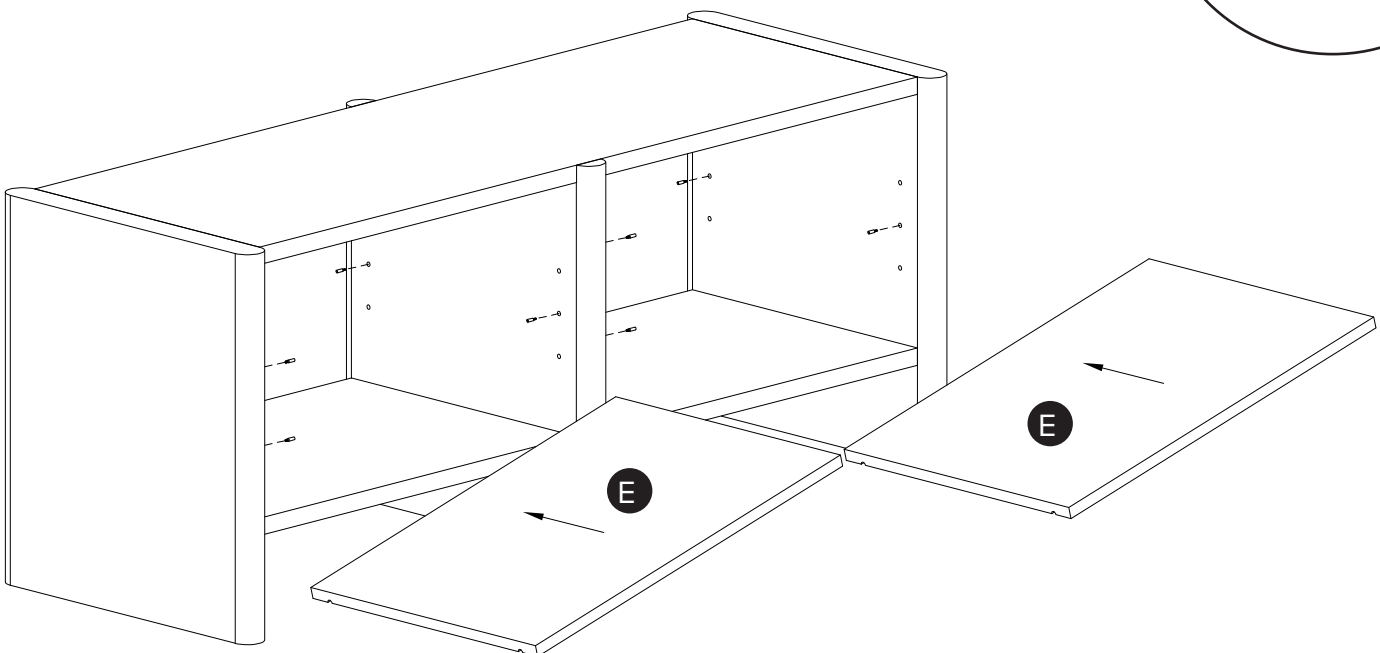


4

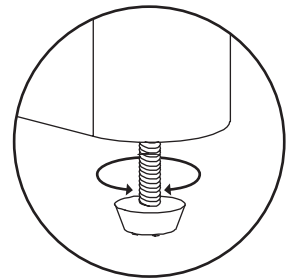
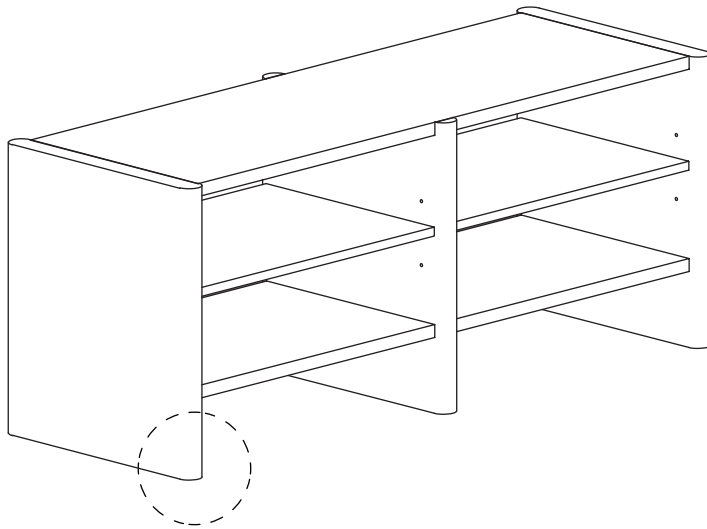


! Tighten the bolts 100%

5



6



! Adjust levelers as needed.