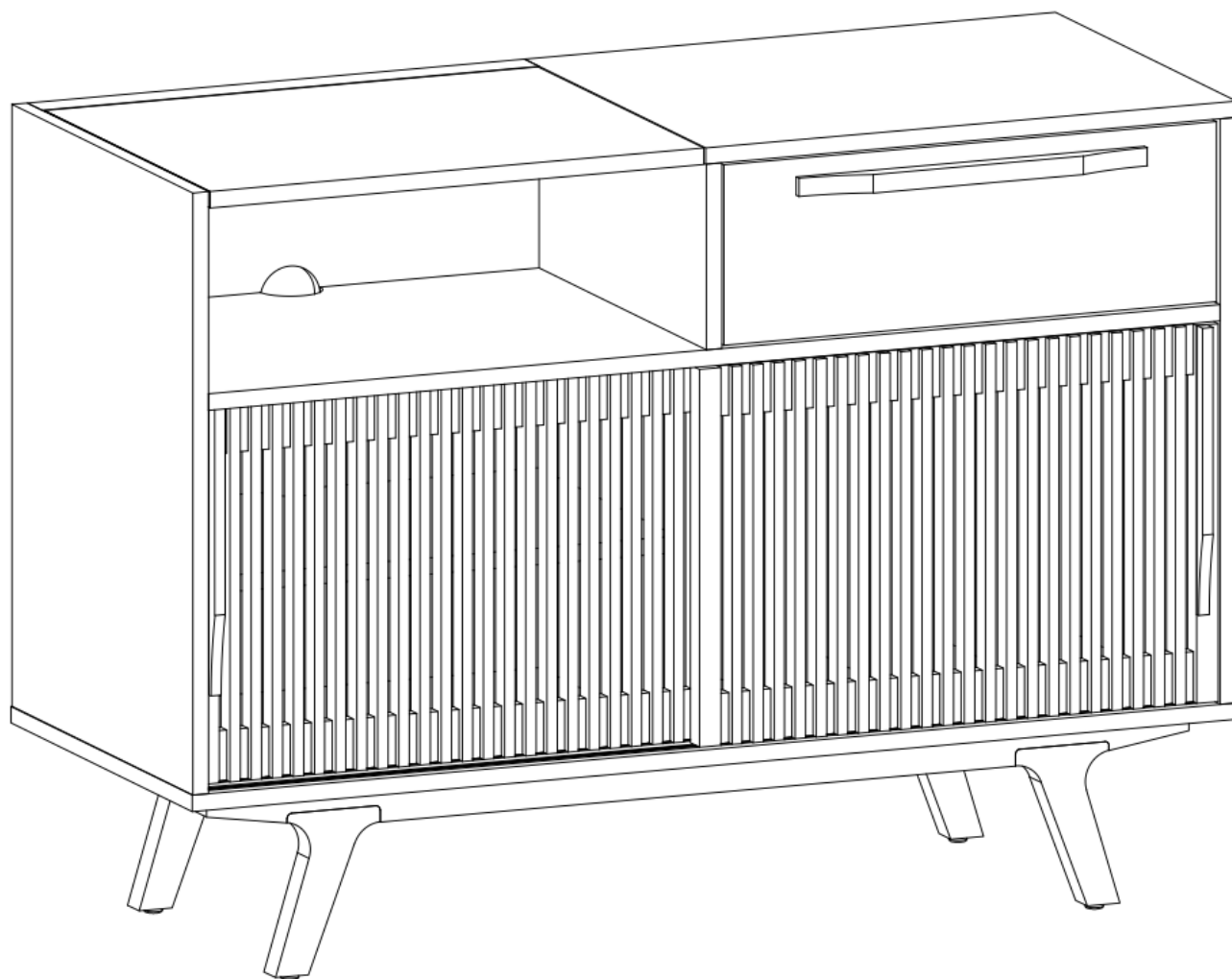


# ARTICLE.

VERSION 1.1

## Assembly Instructions



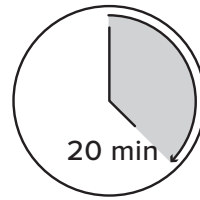
## JOKUNA RECORD PLAYER UNIT

### ASSEMBLY INSTRUCTIONS

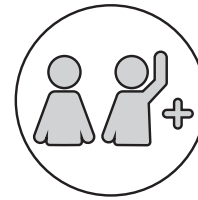
Read these instructions carefully and keep for future reference. Refer to parts inventory for guidance, and ensure you have all pieces before starting.

When assembling, place all parts on a soft, clean, and flat surface such as a carpet to prevent scratches.

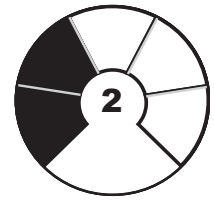
If you're having difficulty, our friendly Customer Care team is always here to help. Call us at **1.888.746.3455** during business hours, email [service@article.com](mailto:service@article.com) or chat live at [article.com](https://www.article.com).



TIME



# OF PEOPLE

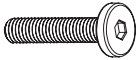
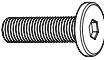

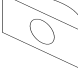




DIFFICULTY



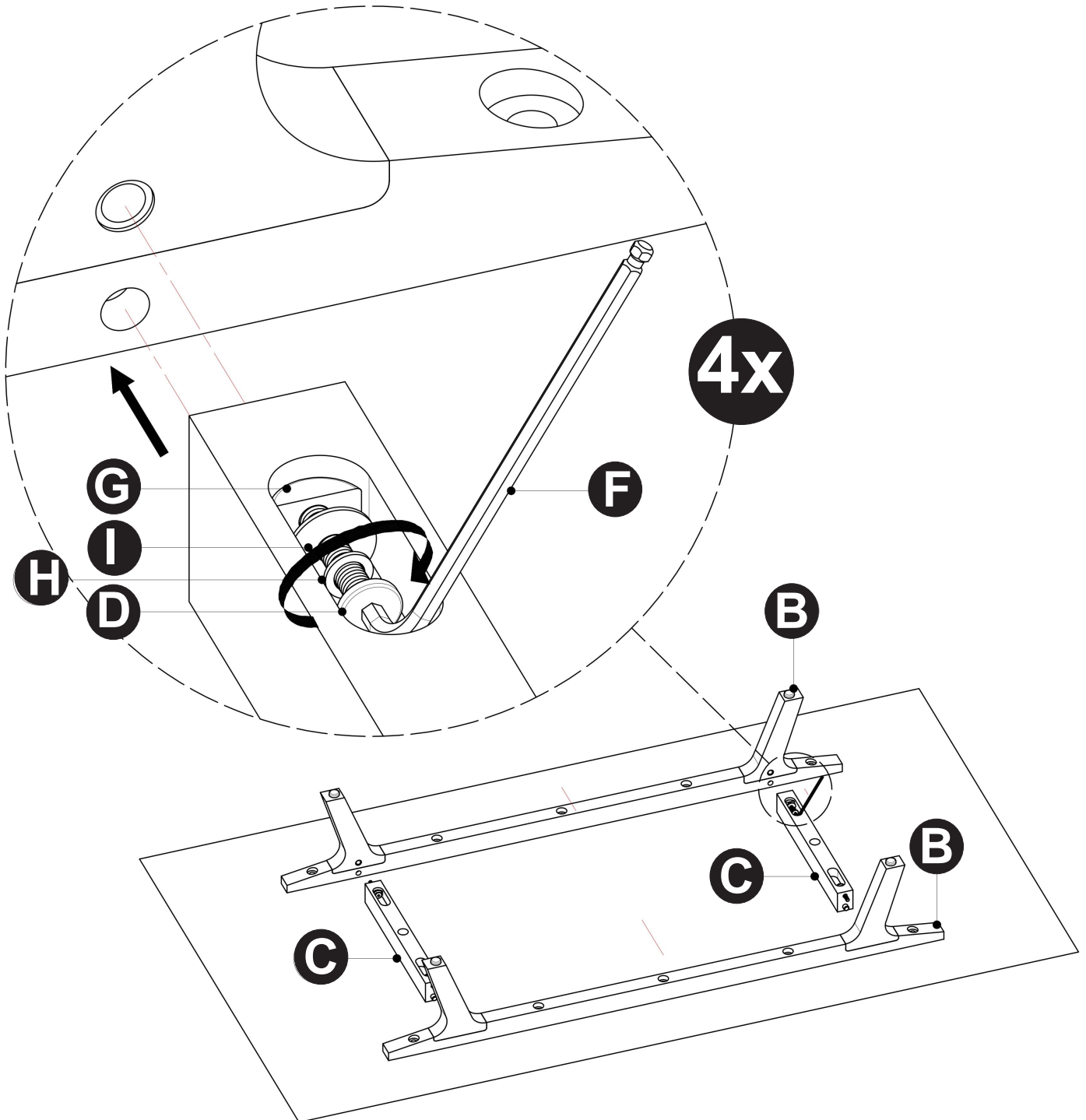
ANTI-TIP

Installation Required

PARTS INVENTORY		
ID	DESCRIPTION	QTY
A	CABINET	1
B	LEG	2
C	CROSSBAR	2
D	M6 × 45MM BOLT 	12
E	M6 × 35MM BOLT 	4
F	ALLEN KEY 	1
G	CRESCENT WASHER M6 	4
H	LOCK WASHER 	16
I	WASHER 	16

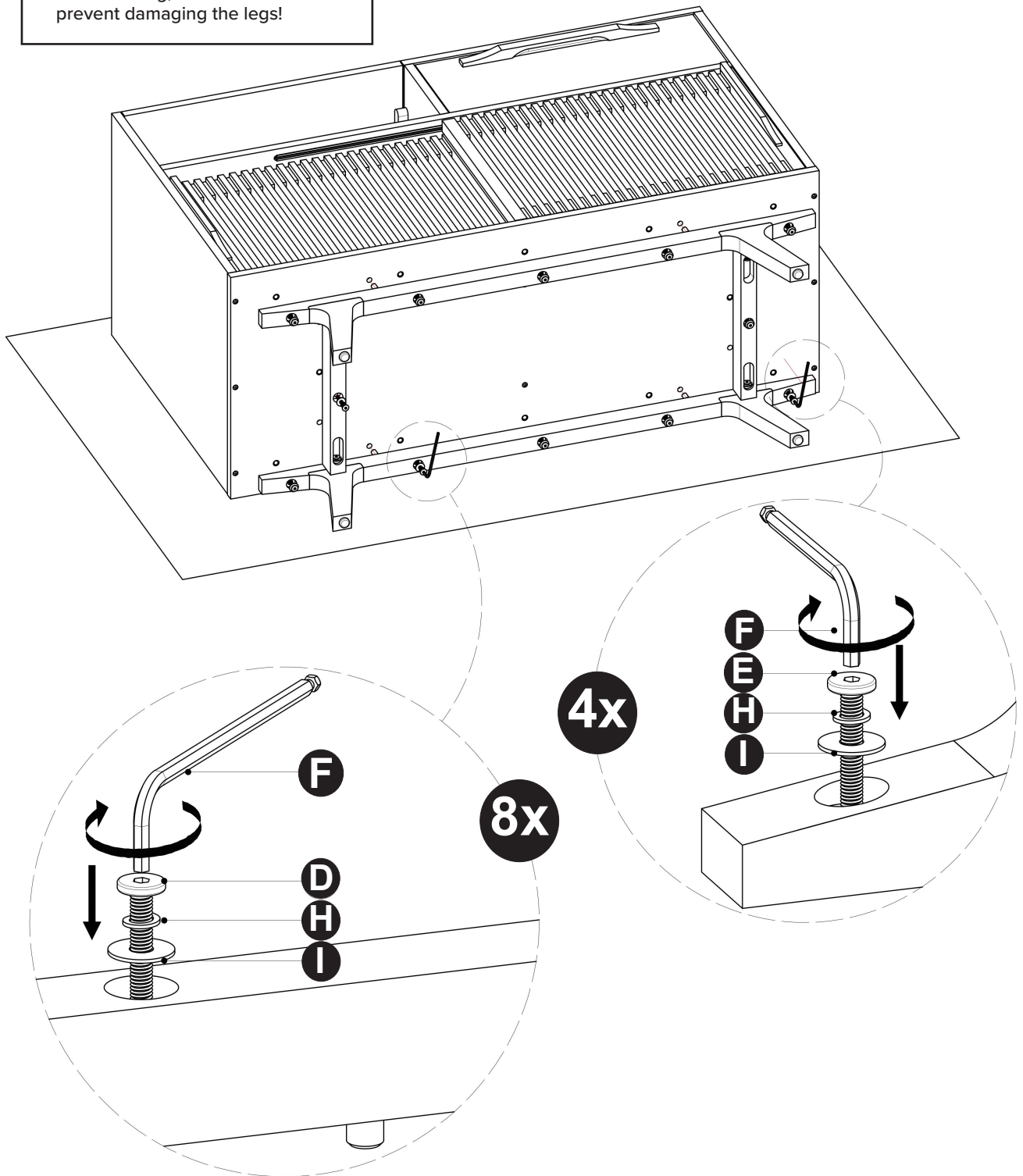


1

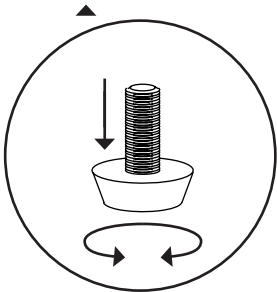
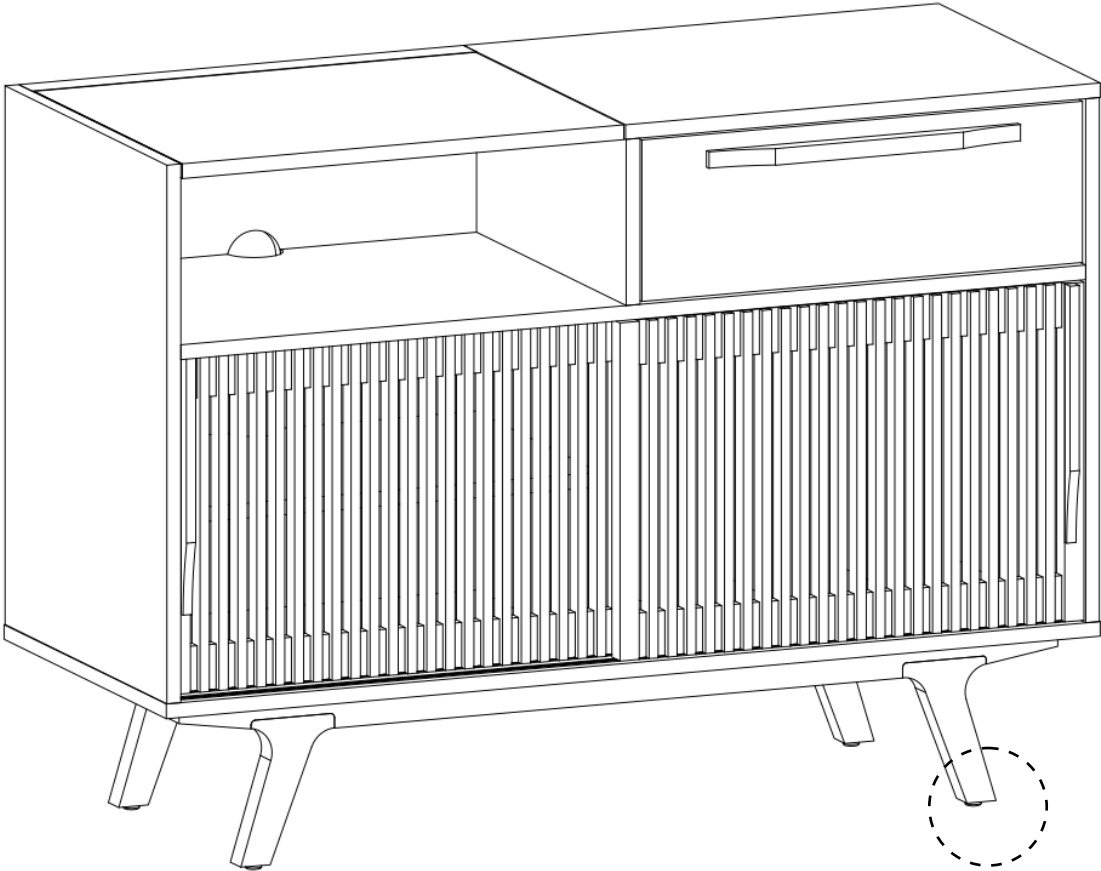


2

**!**  
**CAUTION!**  
Please take care when lifting, this dresser is very heavy! Do not drag when moving, must be lifted to prevent damaging the legs!

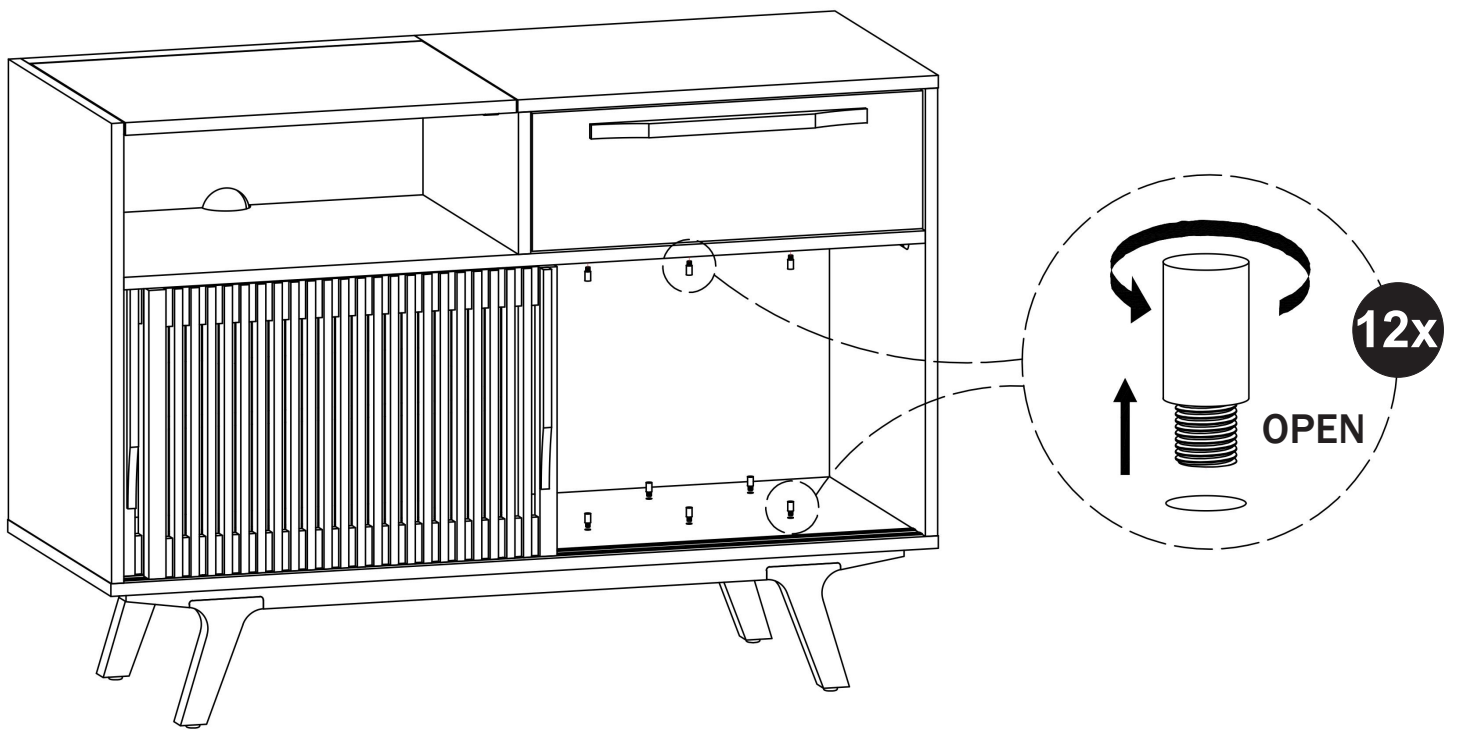
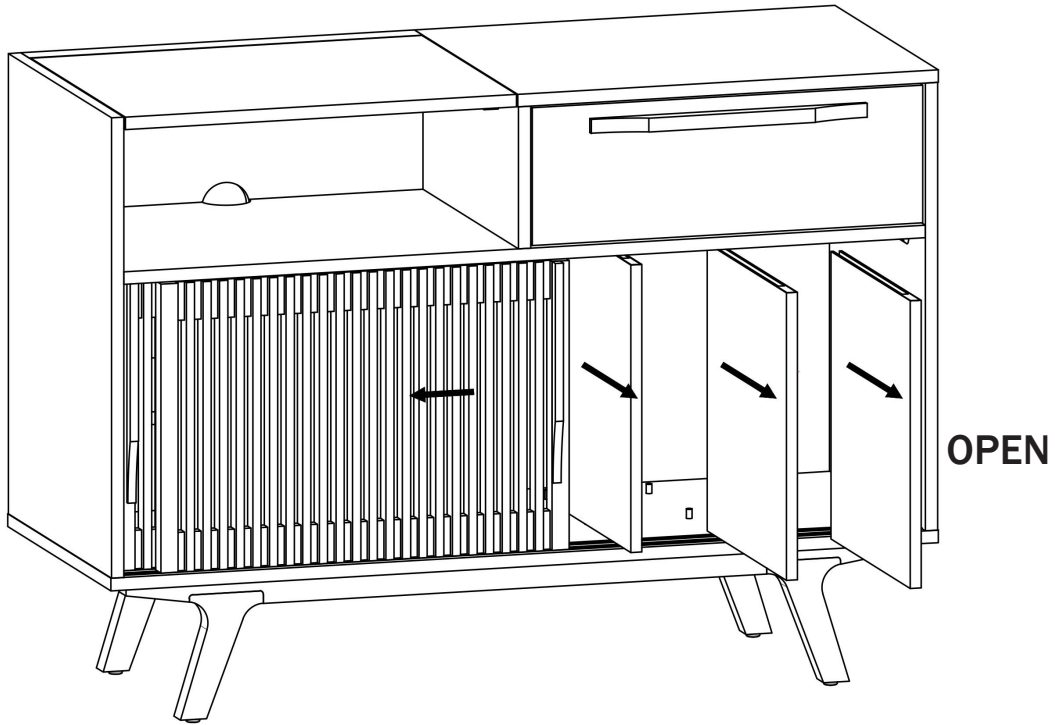


3

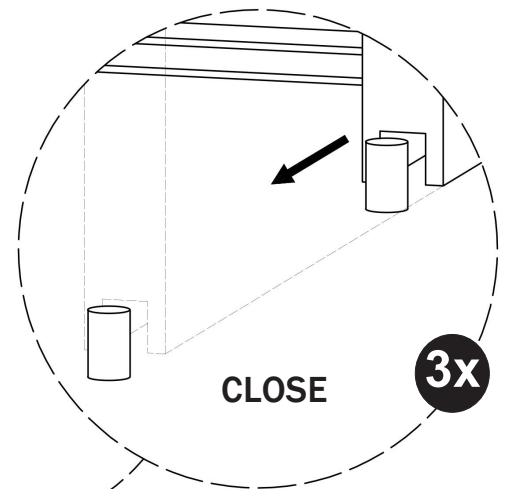
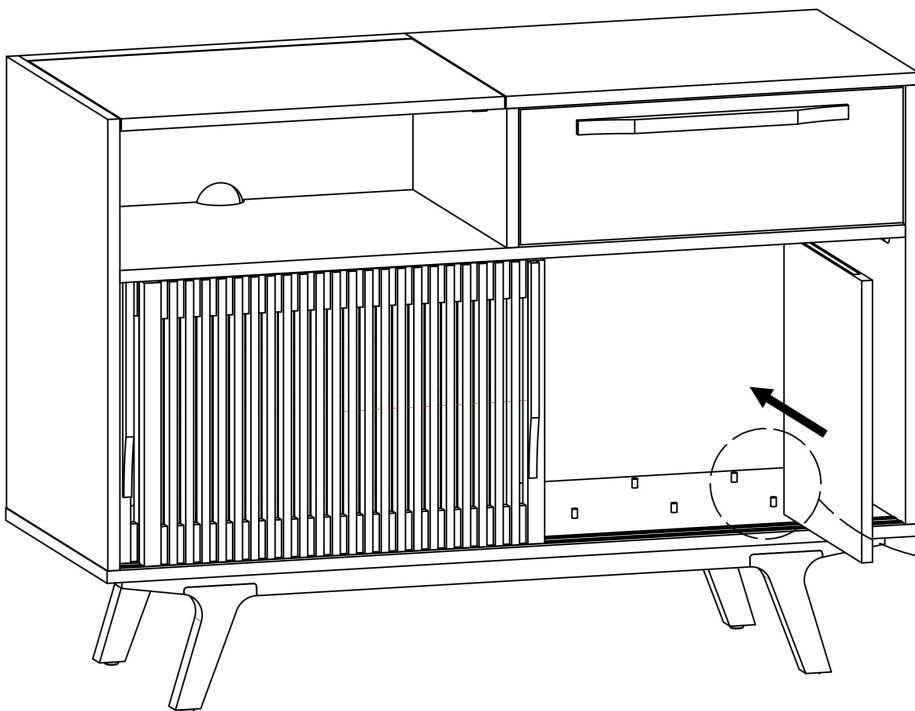
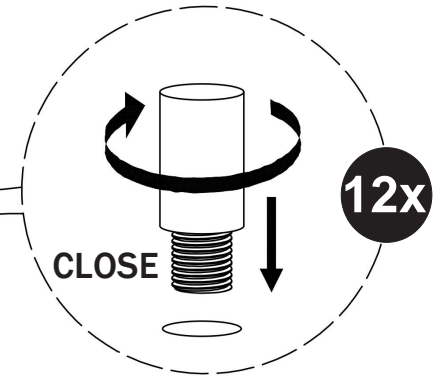
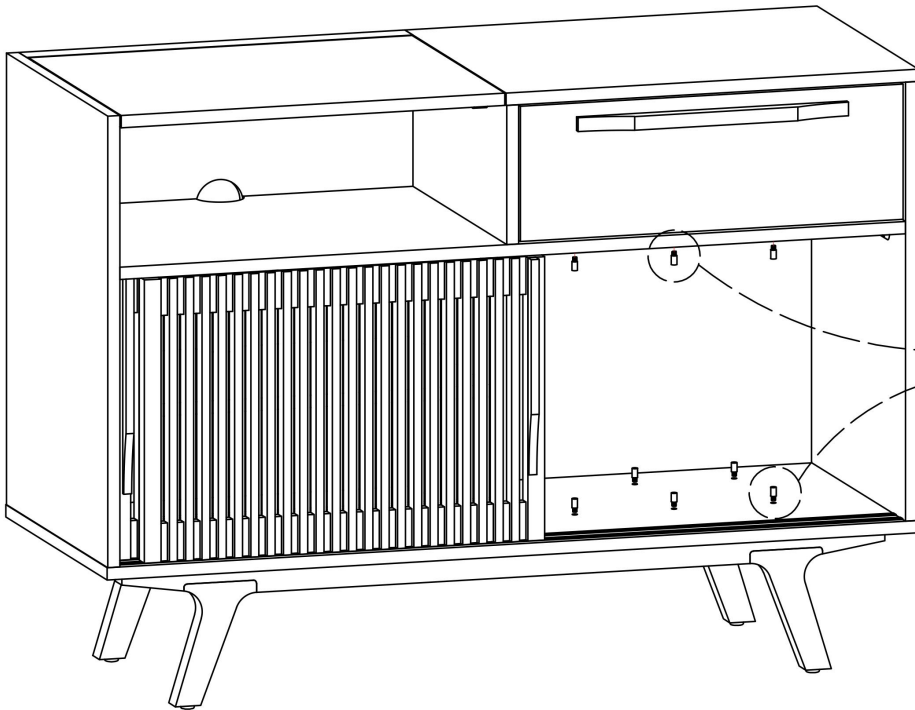


! Adjust levelers as needed.

4



5



# ARTICLE.

1010 Raymur Ave.  
Vancouver, BC V6A  
3T2

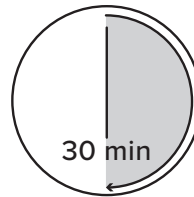


## ANTI-TIP RESTRAINT INSTALLATION

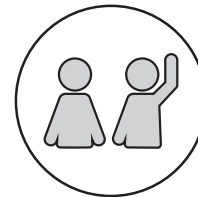
### WARNING!

Children have died from furniture tipover.  
To reduce the risk of furniture tipover:

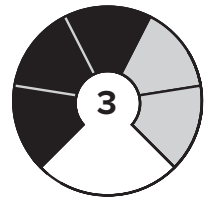
- ALWAYS install tipover restraint provided.
- NEVER put a TV on this product.
- NEVER allow children to stand, climb or hang on drawers, doors, or shelves.
- NEVER open more than one drawer at a time.
- Place heaviest items in the lower drawers.



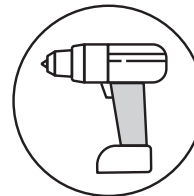
TIME



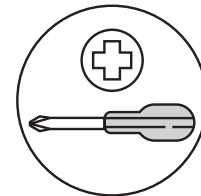
# OF PEOPLE



DIFFICULTY



REQUIRED TOOL  
8MM / 5/16" DRILL BIT



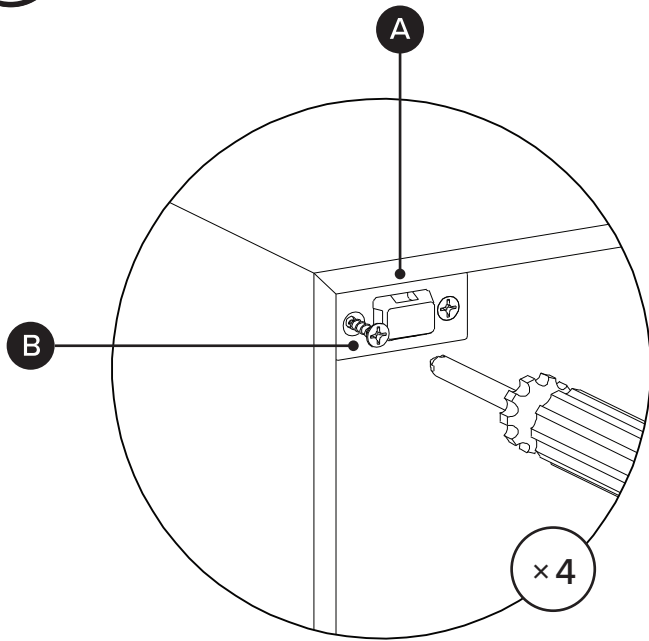
REQUIRED TOOL

PARTS INVENTORY			
ID	DESCRIPTION		QTY
<b>A</b>	BRACKET		4
<b>B</b>	M4 × 20MM SCREW		4
<b>C</b>	M8 × 51MM PLUG		4
<b>D</b>	M6 × 70MM SCREW		4
<b>E</b>	STRAP		2

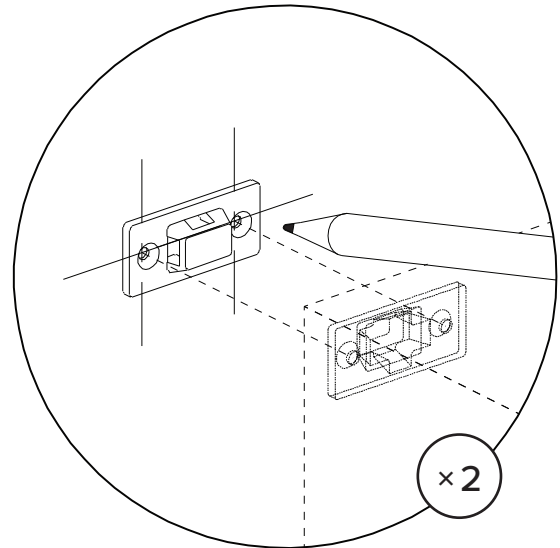


Hardware (C/D) to attach brackets to wall is designed for drywall. To attach this unit to another type of wall, consult with your local hardware store.

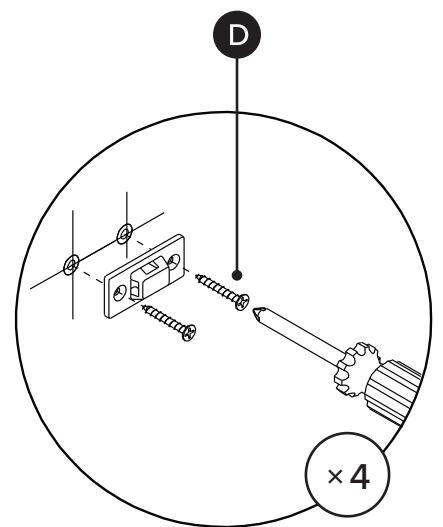
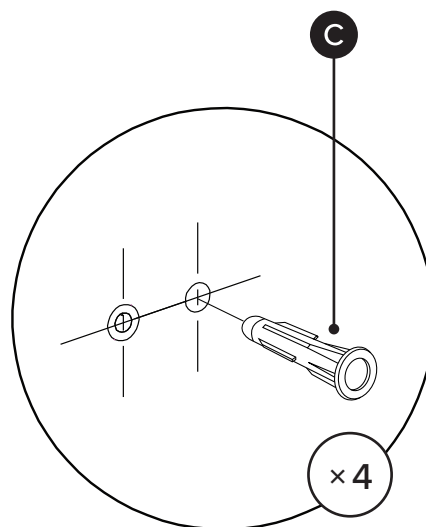
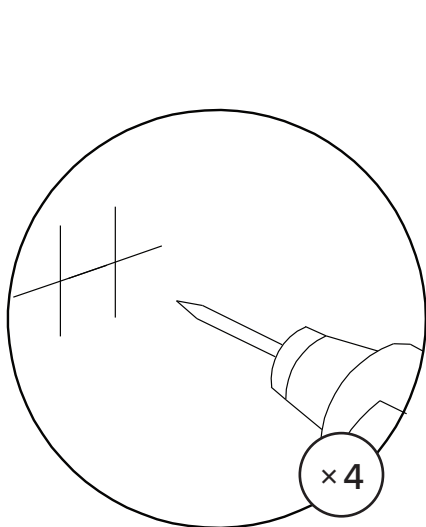




Attach pair of brackets to top corners of the back of the unit. Note there are no existing pilot holes on the product.



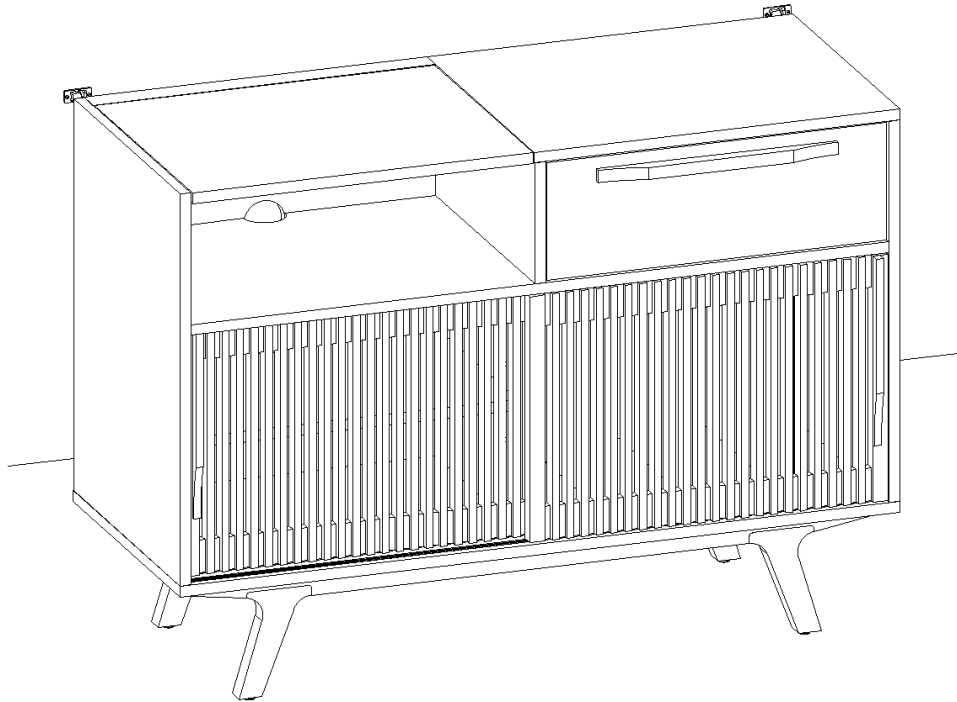
Mark on wall where second pair of brackets should be placed.



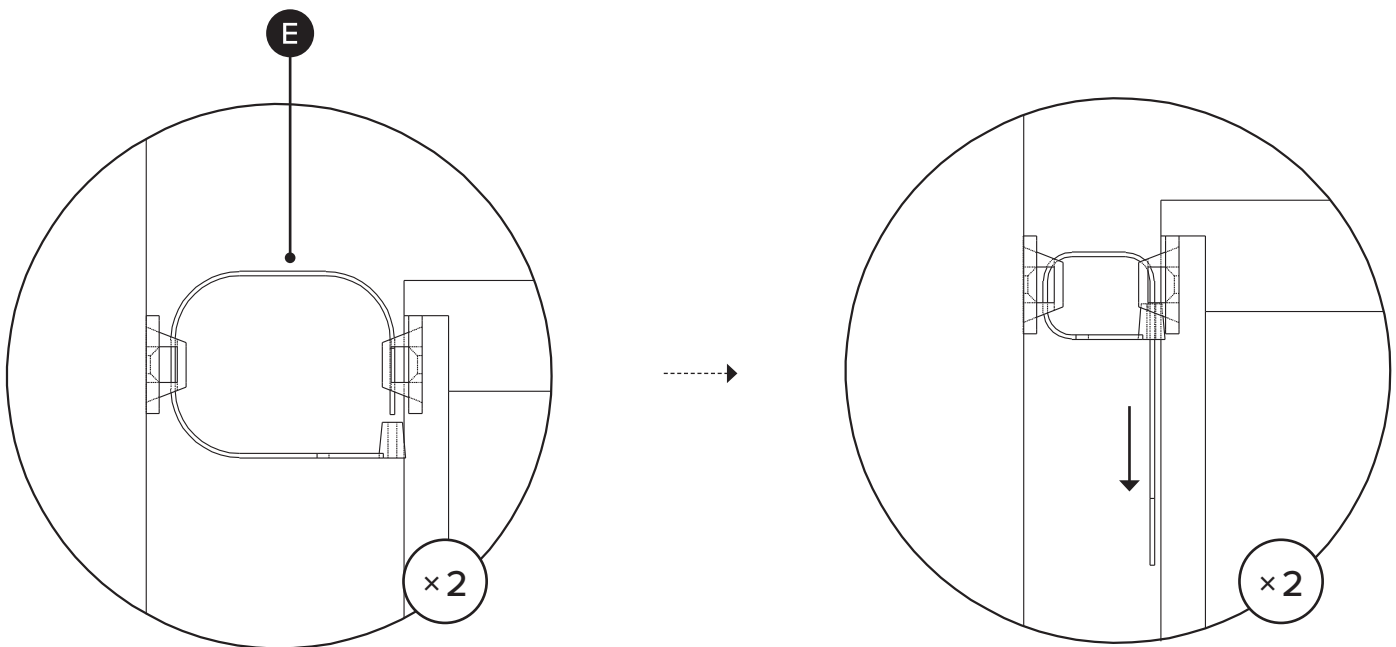
Drill holes in wall using 8mm / 5/16" drill bit.

4A

Align brackets on unit with brackets on wall.



4B



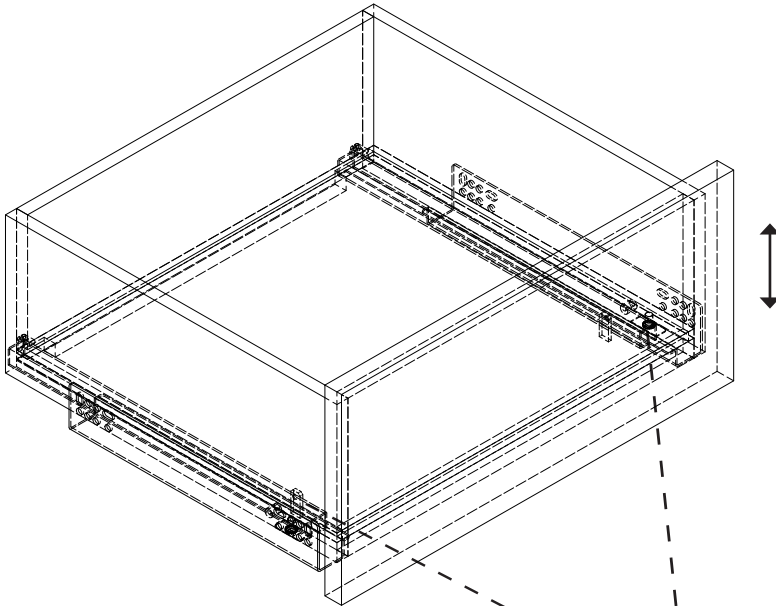
Pull strap down until it snap-locks.

# SOFT CLOSING DRAWERS – JOKUNA RECORD PLAYER UNIT

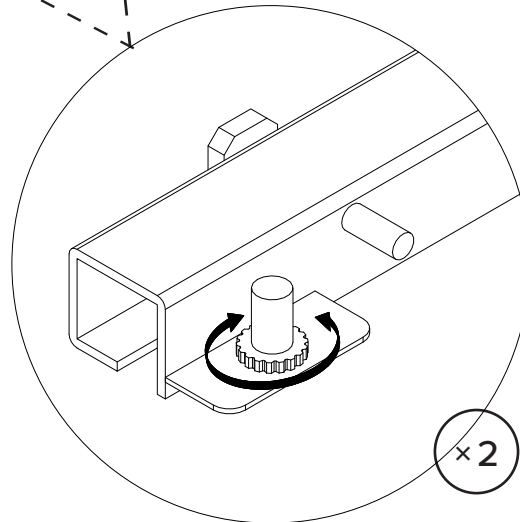
## ADJUSTMENT INSTRUCTIONS

### FIX A CROOKED DRAWER

---



⚠ Adjust levers on either side of drawer as needed to straighten drawer.



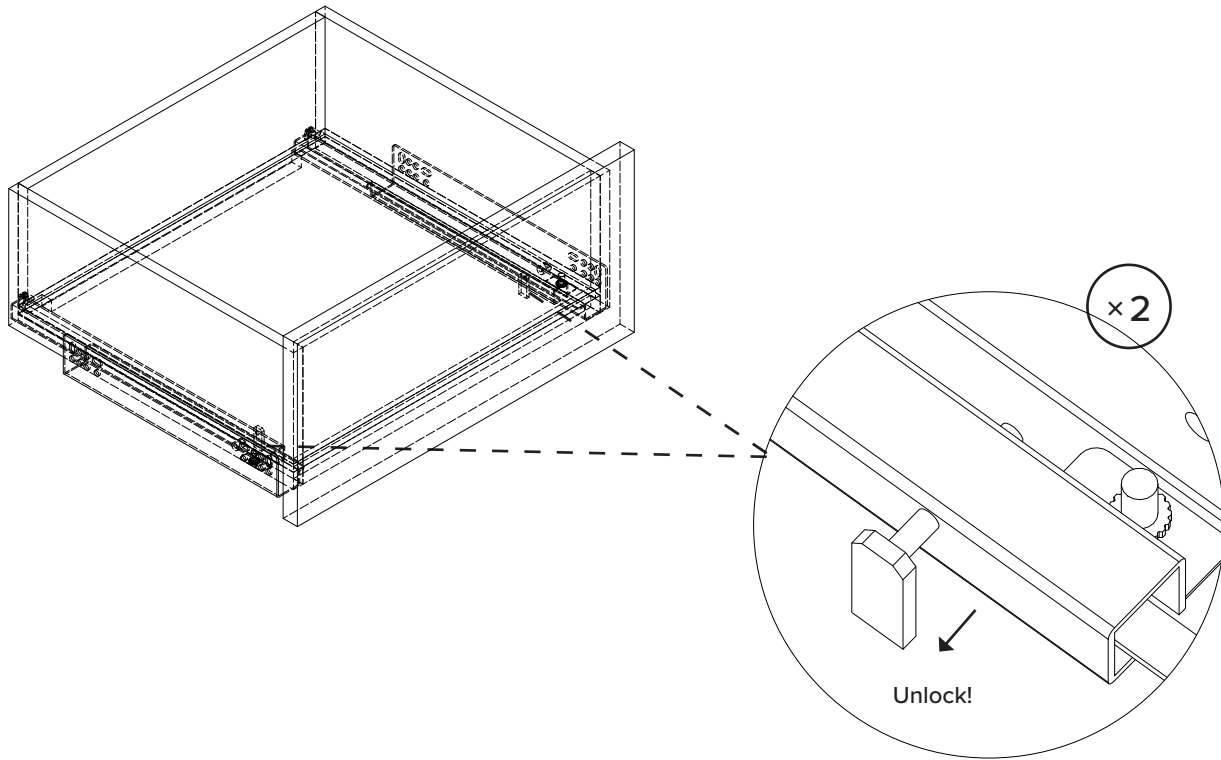
ARTICLE.

If you're having difficulty, our friendly Customer Care team is always here to help. Call us at **1.888.746.3455** during business hours, email [service@article.com](mailto:service@article.com) or chat live at [article.com](https://www.article.com).

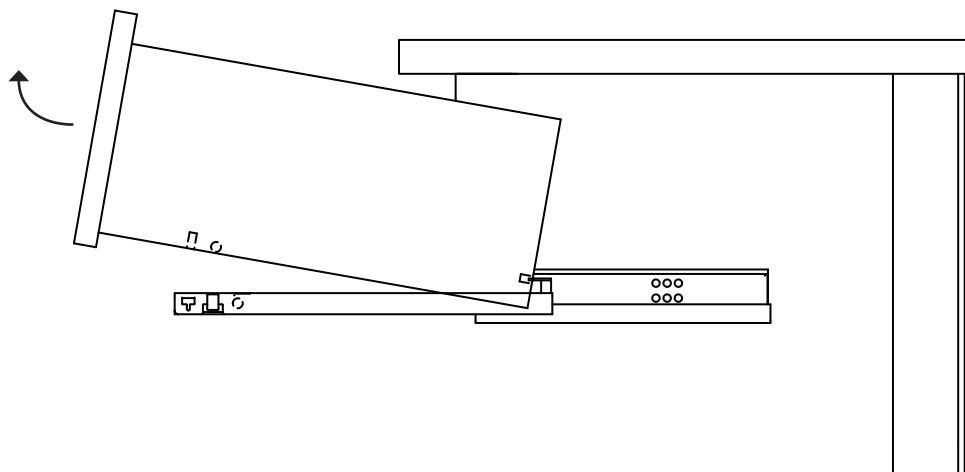
# REMOVE DRAWER

---

1



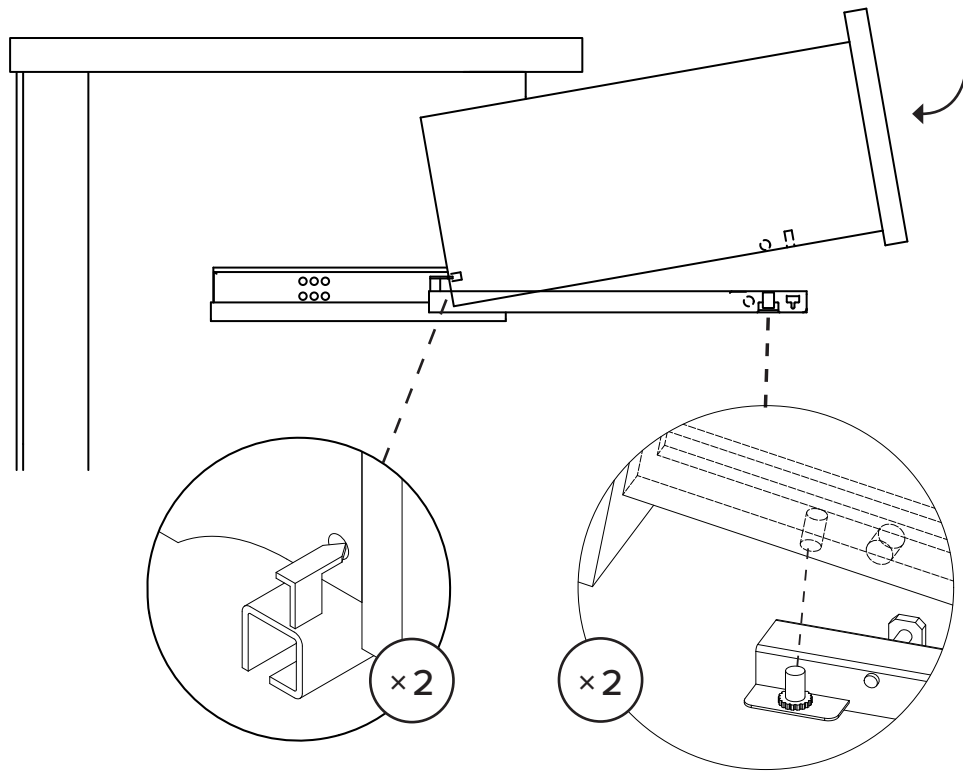
2



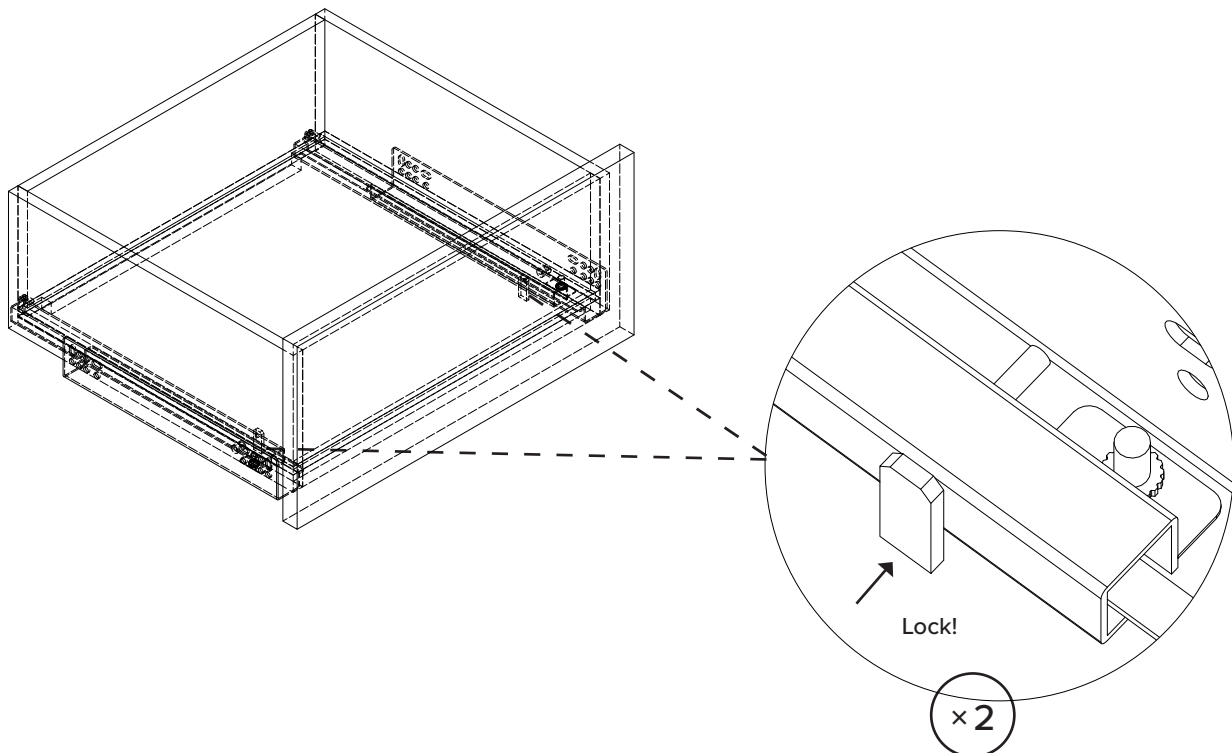
ARTICLE.

# INSTALL DRAWER

1



2



ARTICLE.