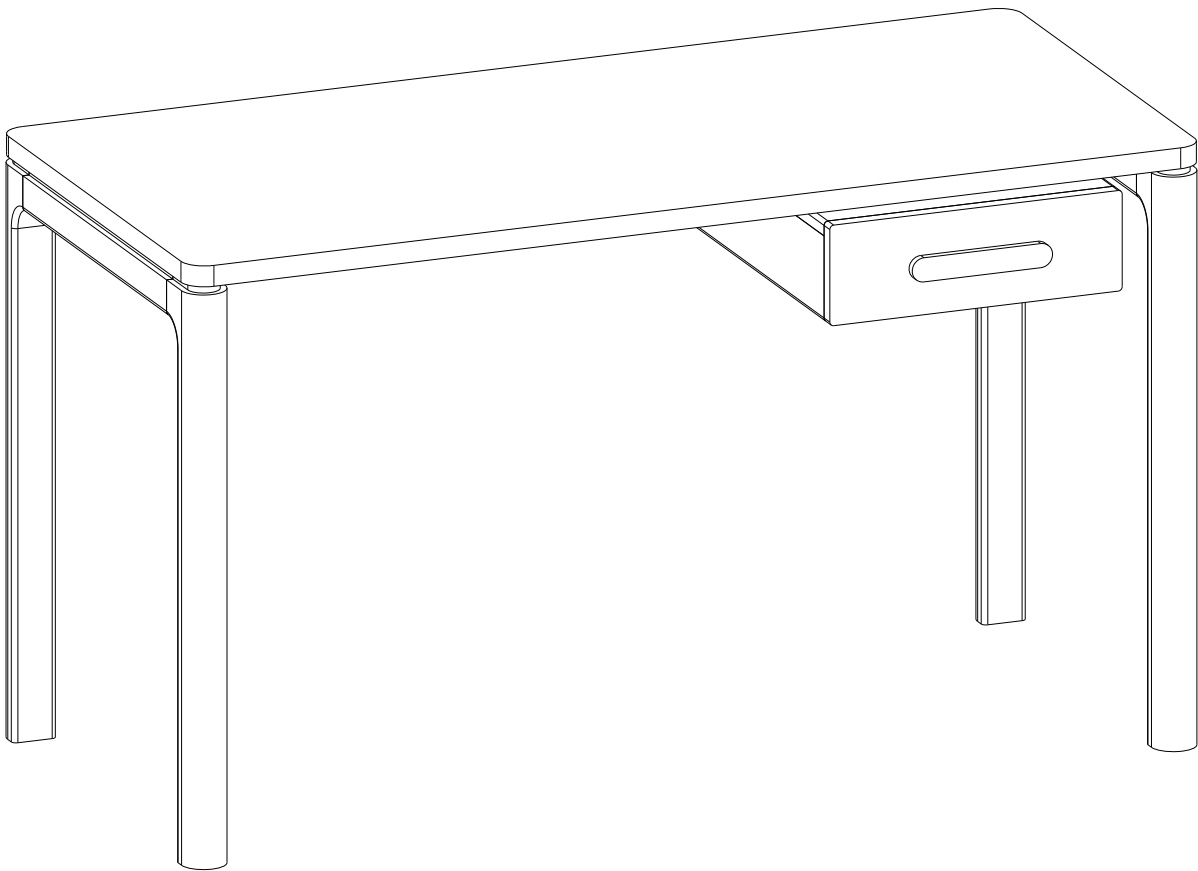


# ARTICLE.

VERSION 1.0

## Assembly Instructions



# KACEY

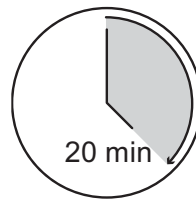
MCM Desk

## ASSEMBLY INSTRUCTIONS

Read these instructions carefully and keep for future reference. Refer to parts inventory for guidance, and ensure you have all pieces before starting.

When assembling, place all parts on a soft, clean, and flat surface such as a carpet to prevent scratches.

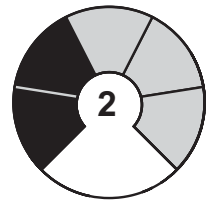
If you're having difficulty, our friendly Customer Care team is always here to help. Call us at **1.888.746.3455** during business hours, email [service@article.com](mailto:service@article.com) or chat live at [article.com](https://www.article.com)



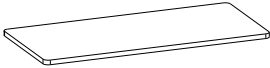
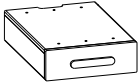
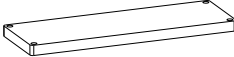

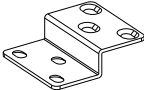







TIME



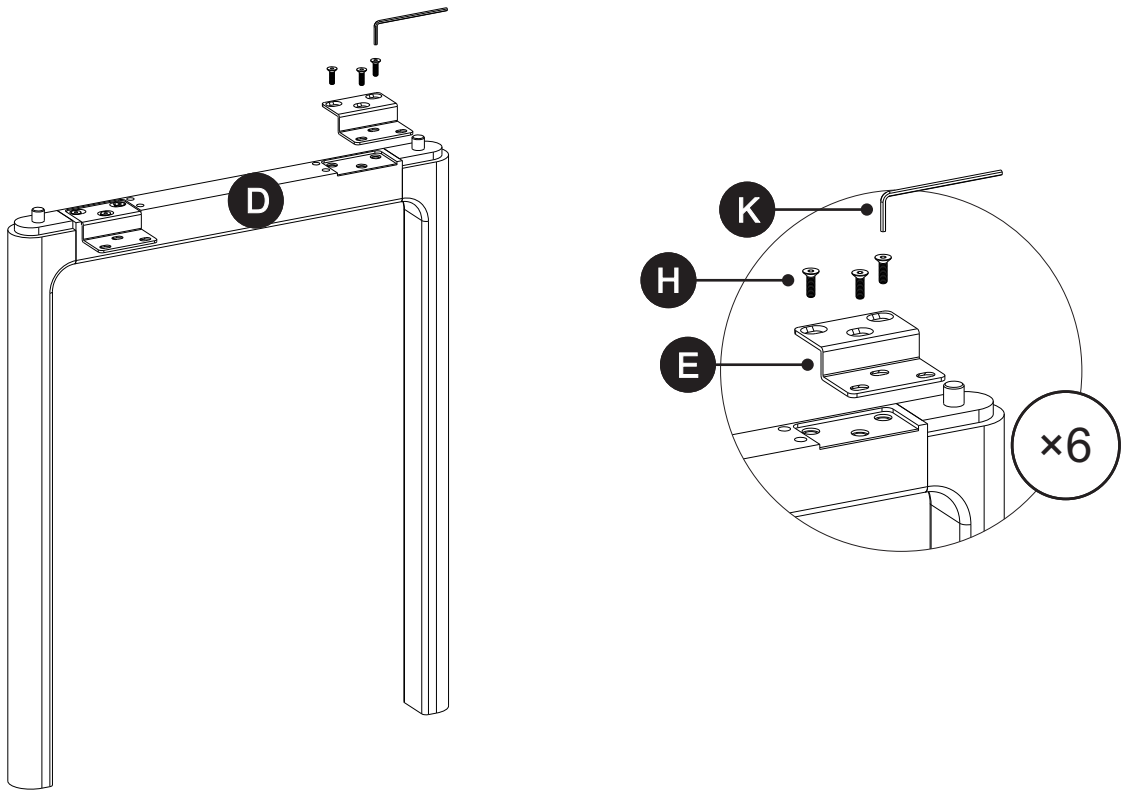
# OF PEOPLE



DIFFICULTY

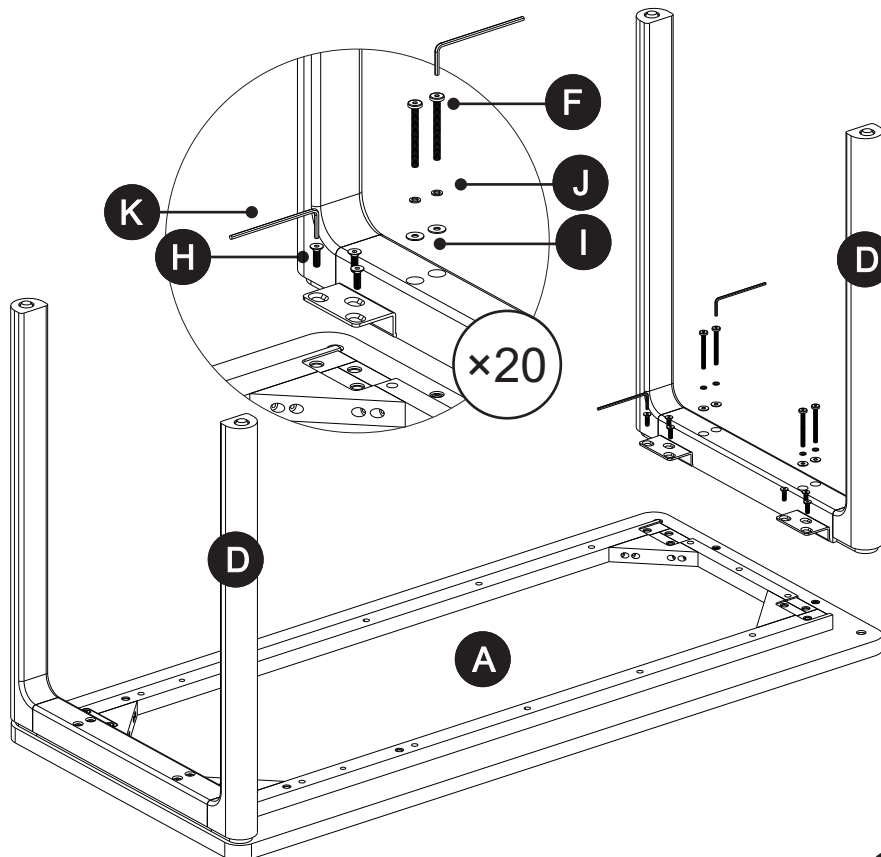
PARTS INVENTORY		
ID	DESCRIPTION	QTY
<b>A</b>	TABLE TOP 	1
<b>B</b>	DRAWER 	1
<b>C</b>	BACK PANEL 	1
<b>D</b>	LEG 	2
<b>E</b>	80 × 90MM STEEL PAT 	4
<b>F</b>	M6 × 60MM BOLT 	8
<b>G</b>	M6 × 40MM BOLT 	4
<b>H</b>	M6 × 20MM BOLT 	24
<b>I</b>	FLAT WASHER 	12
<b>J</b>	LOCK WASHER 	12
<b>K</b>	ALLEN KEY 	1
<b>L</b>	WOOD DOWEL 	2

1



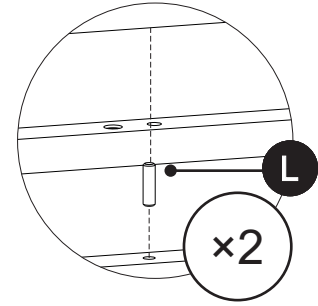
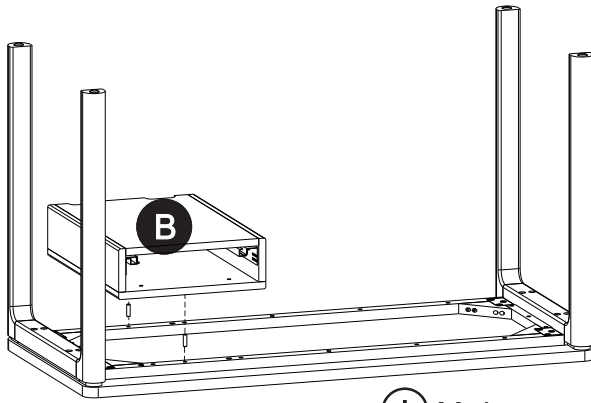
2

! Make sure to place item down on a soft protected surface



! Tighten all bolts 100%

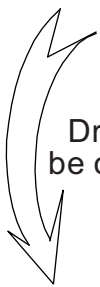
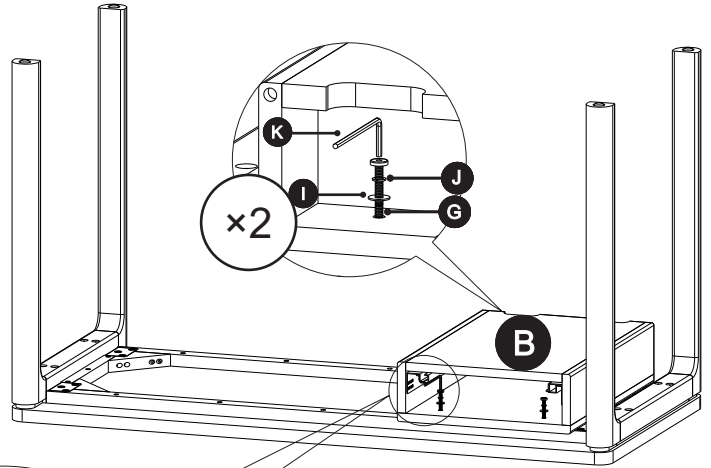
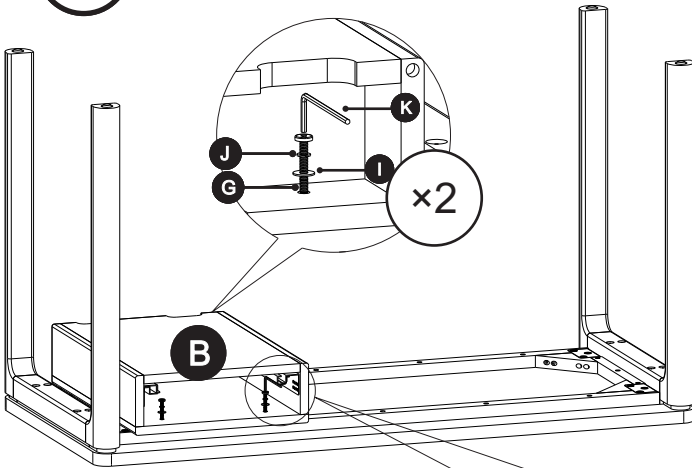
3



! Make sure to place item down on a soft protected surface

4

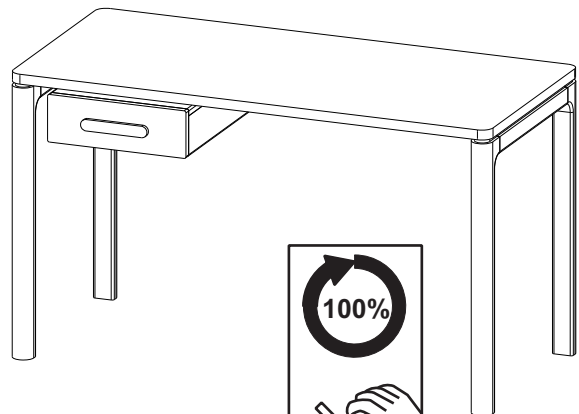
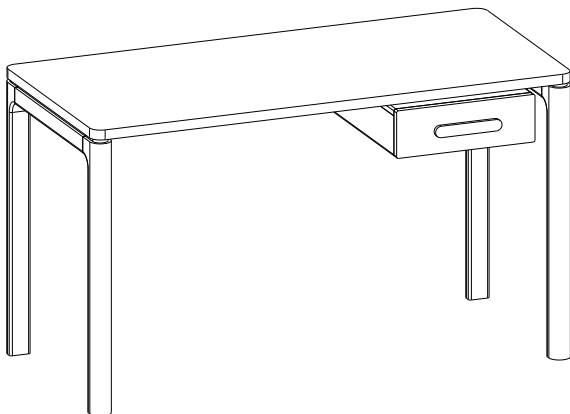
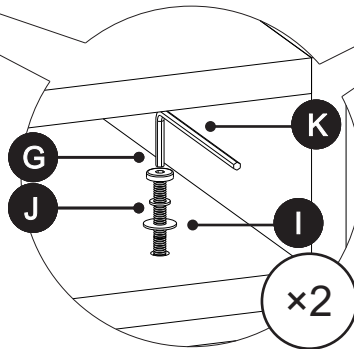
! TO TAKE OUT THE DRAWER PLEASE FOLLOW PAGE 8/9



Drawer will be on the right

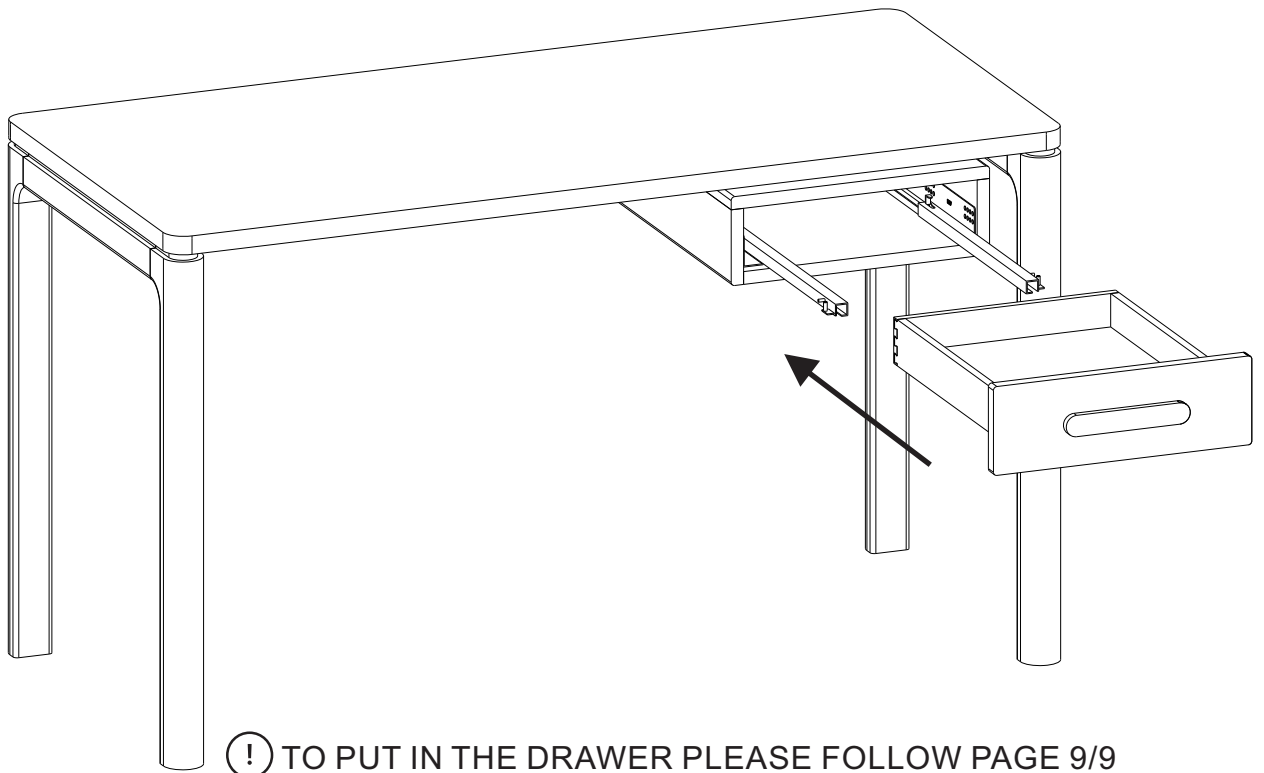


Drawer will be on the left



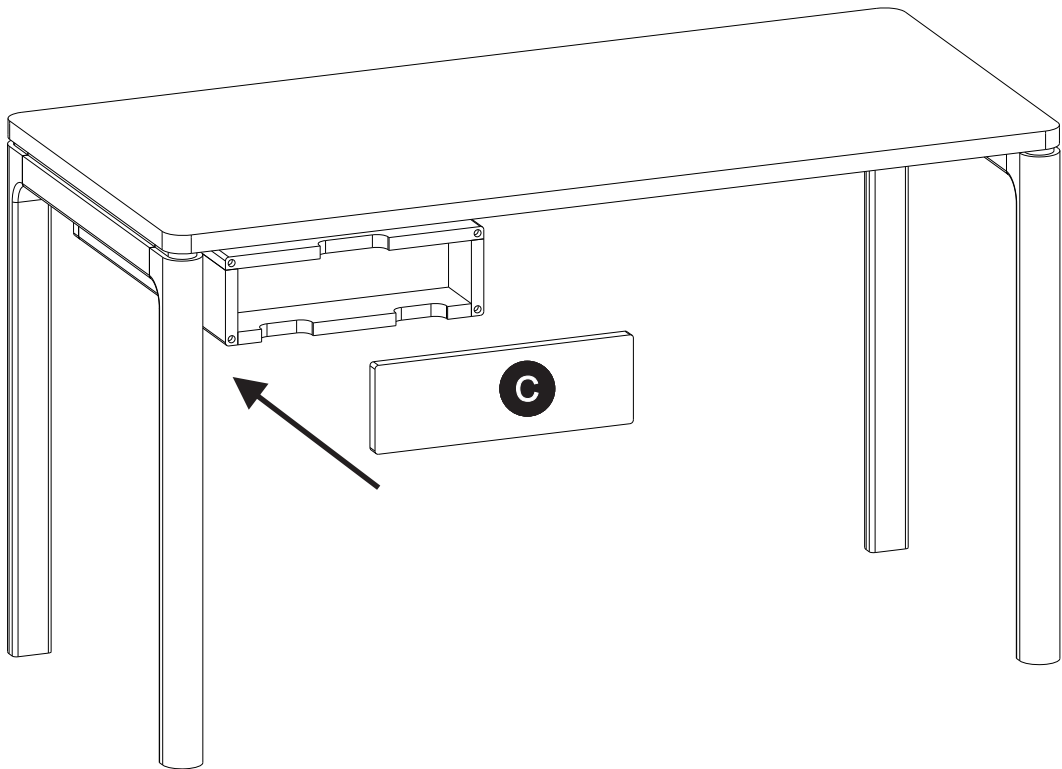
! Tighten all bolts 100%

5

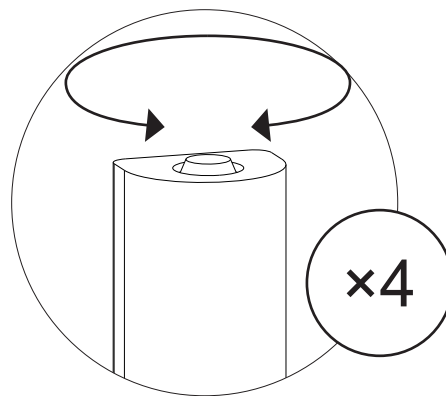
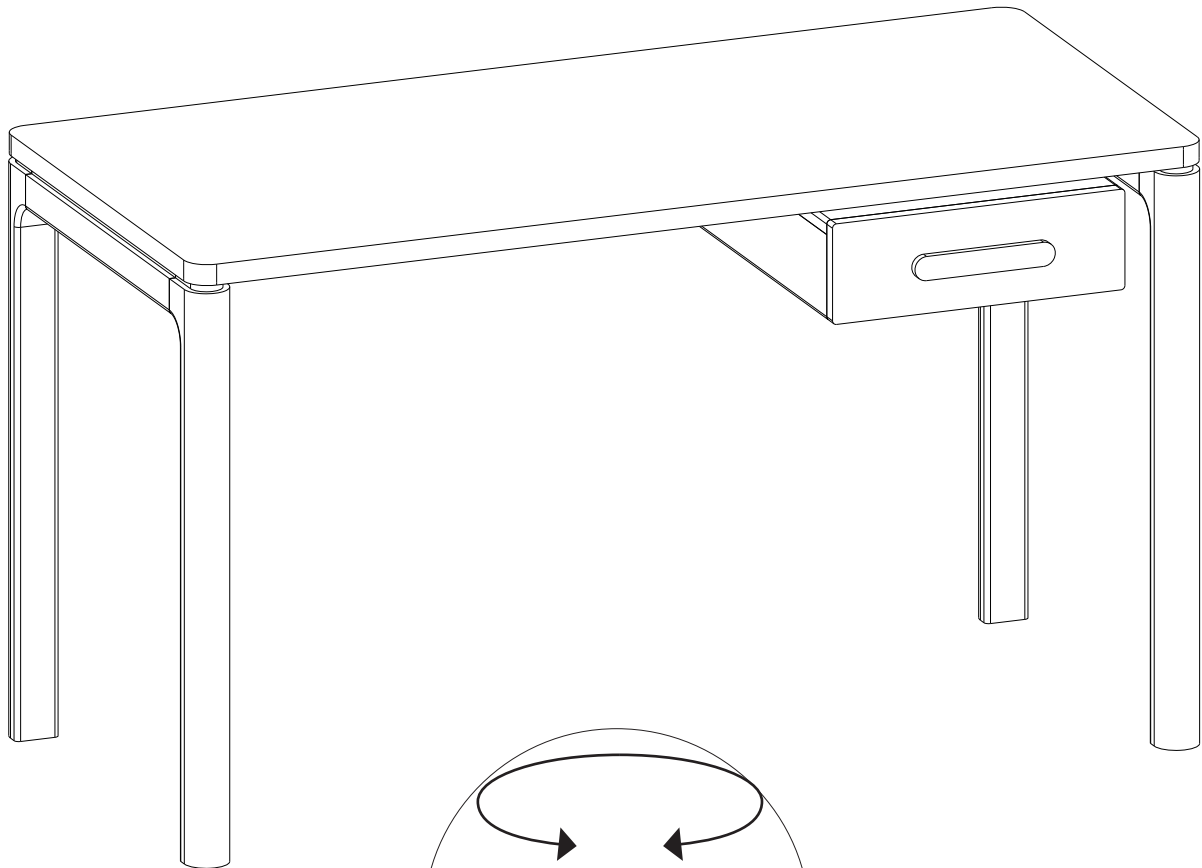


! TO PUT IN THE DRAWER PLEASE FOLLOW PAGE 9/9

6



7

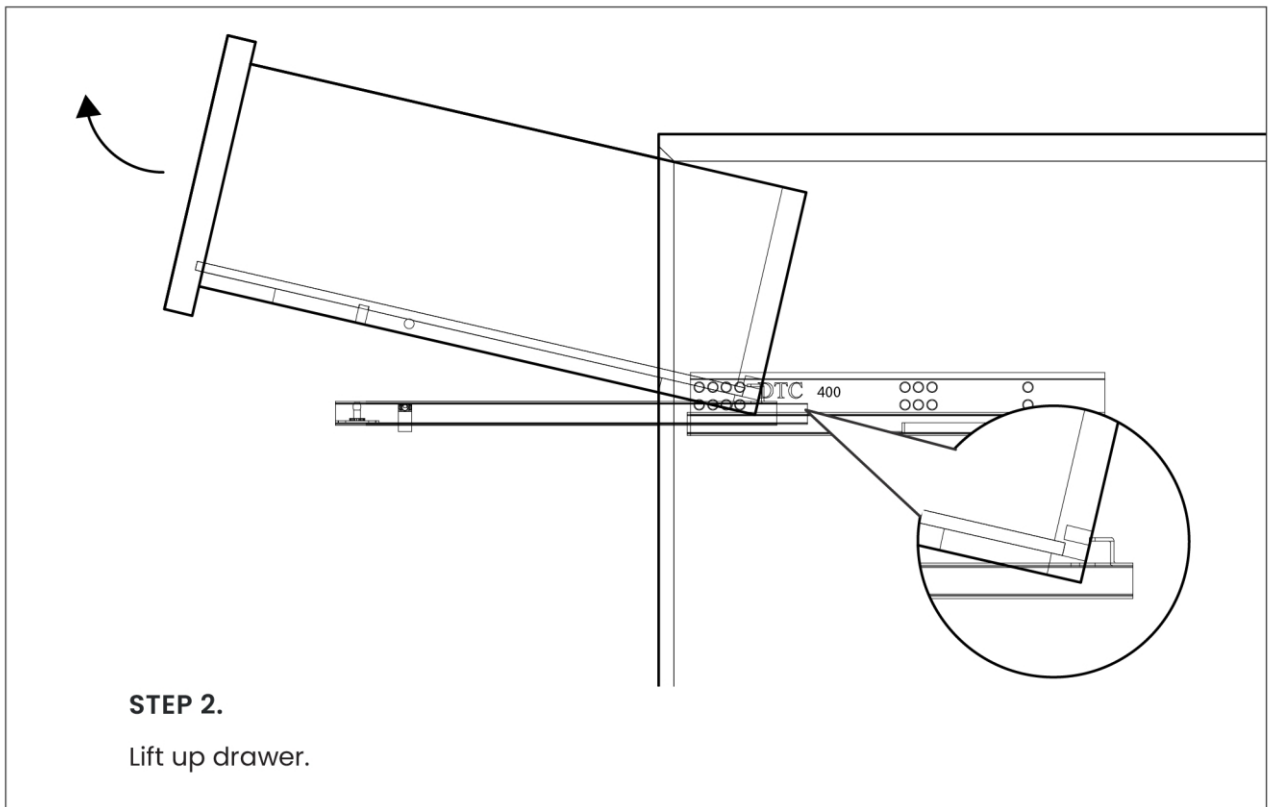
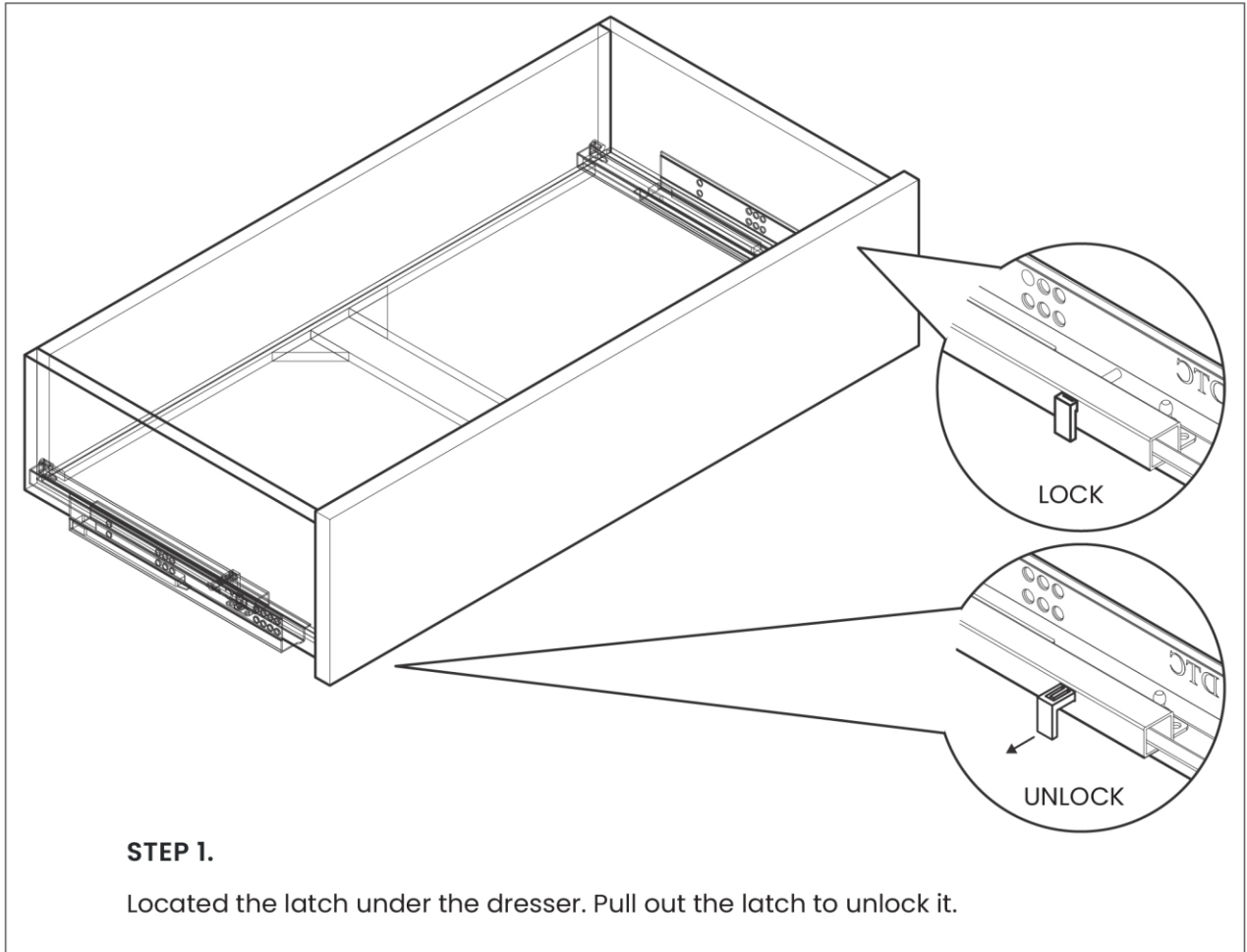


! Adjust levelers on legs as needed.

**IMPORTANT !**

It is important that all bolts are re-tightened 2 weeks after assembly and once every 2 months in order to assure stability through-out the lifespan of this product.

**1** HOW TO TAKE OUT THE DRAWER



**2** HOW TO PUT IN THE DRAWER

