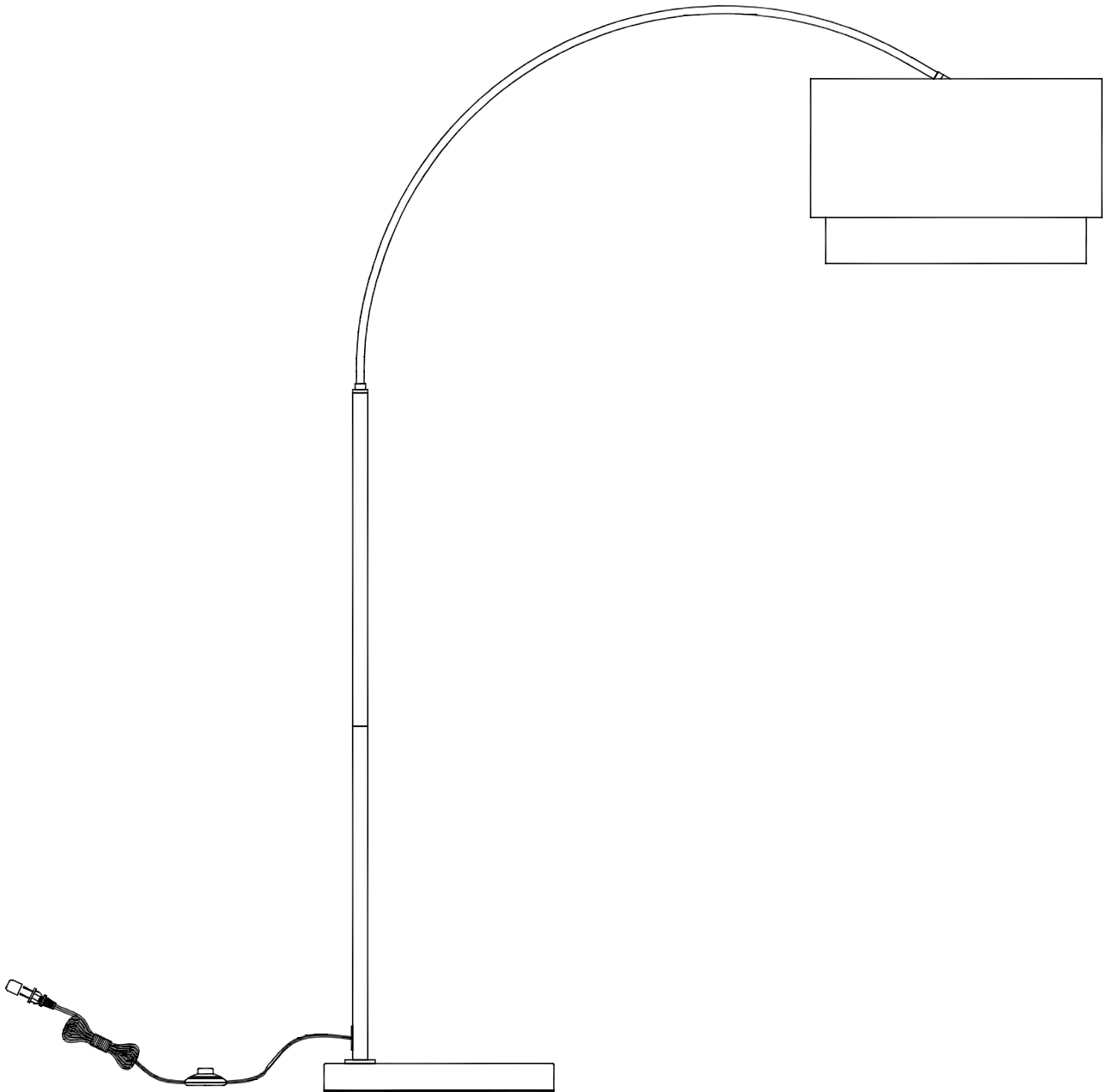


# ARTICLE.

VERSION 2

## Assembly Instructions



# ZEBU ECRU

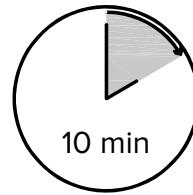
Floor Lamp

## ASSEMBLY INSTRUCTIONS

Read these instructions carefully and keep for future reference. Refer to parts inventory for guidance, and ensure you have all pieces before starting.

When assembling, place all parts on a soft, clean, and flat surface such as a carpet to prevent scratches.

If you're having difficulty, our friendly Customer Care team is always here to help. Call us at 1.888.746.3455 during business hours, email [service@article.com](mailto:service@article.com) or chat live at [article.com](https://www.article.com).

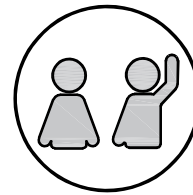


10 min

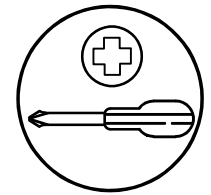
TIME



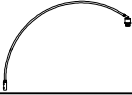



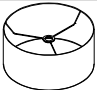




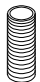
DIFFICULTY


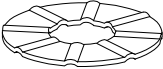
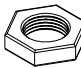




# OF PEOPLE



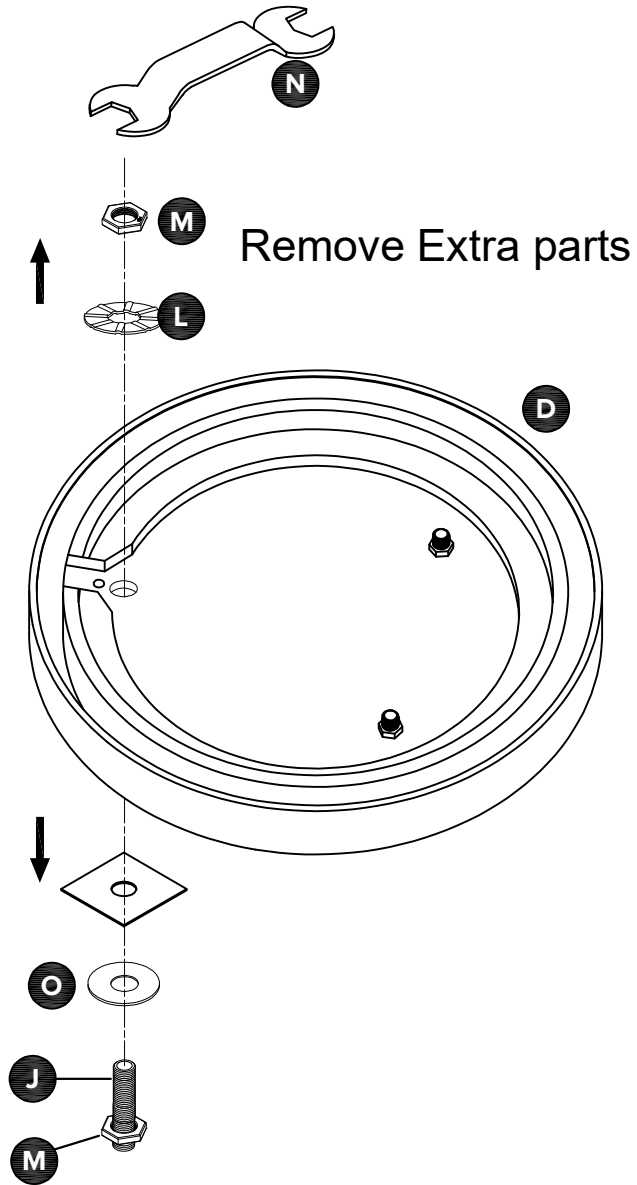
REQUIRED TOOL

PARTS INVENTORY		
ID	DESCRIPTION	QTY
<b>A</b>	LAMP TOP SEGMENT WITH SOCKET 	1
<b>B</b>	LAMP MIDDLE SEGMENT 	1
<b>C</b>	LAMP BOTTOM SEGMENT 	1
<b>D</b>	BASE 	1
<b>E</b>	LAMP SHADE TOP 	1
<b>F</b>	LAMP SHADE BOTTOM 	1
<b>G</b>	DIFFUSER 	1
<b>H</b>	SOCKET RING (PRE-INSTALLED) 	1
<b>I</b>	BULB 	1
<b>J</b>	STEEL TUBE (PRE-INSTALLED) 	1

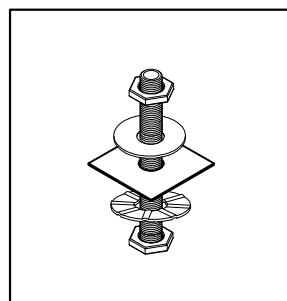
PARTS INVENTORY CONT.		
ID	DESCRIPTION	QTY
<b>K</b>	SCREWS 8/32x8mm 	4
<b>L</b>	WASHER 32mm (PRE-INSTALLED) 	2
<b>M</b>	NUT $\phi$ 19x8mm (PRE-INSTALLED) 	3
<b>N</b>	WRENCH 	1
<b>O</b>	WASHER 38mm (PRE-INSTALLED) 	2

1

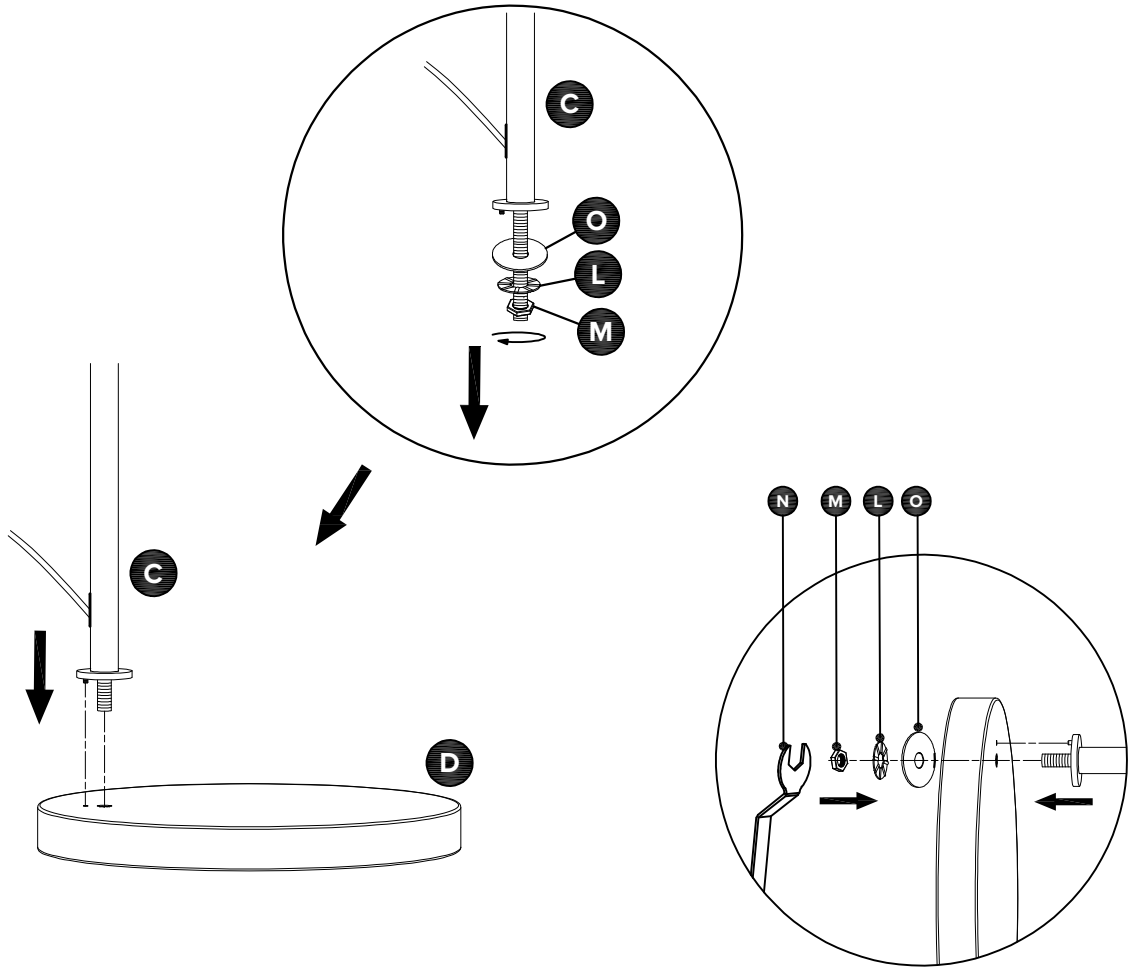
Preparation before assembly



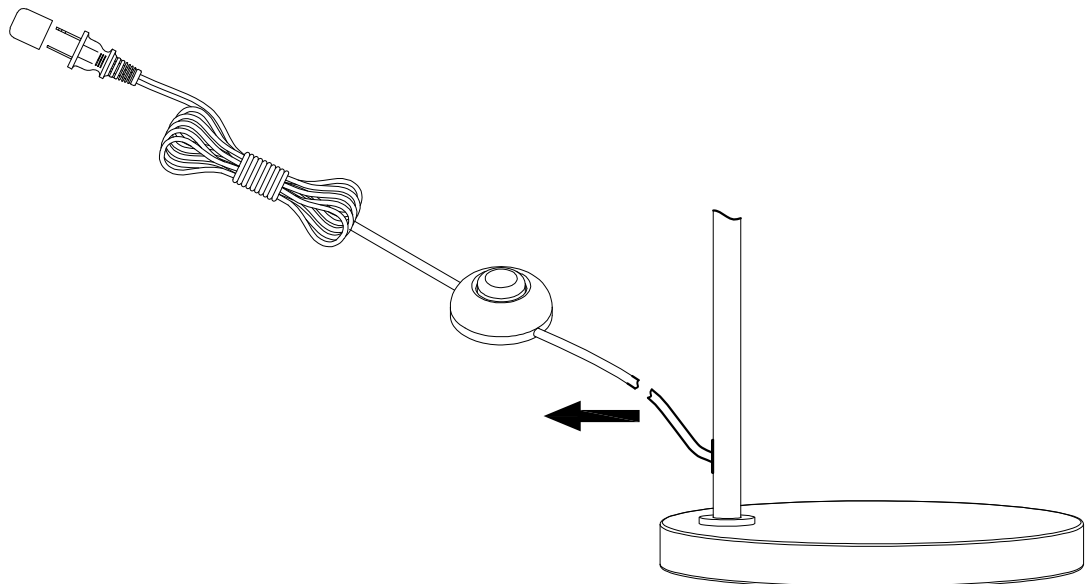
REMOVE EXTRA PARTS



2

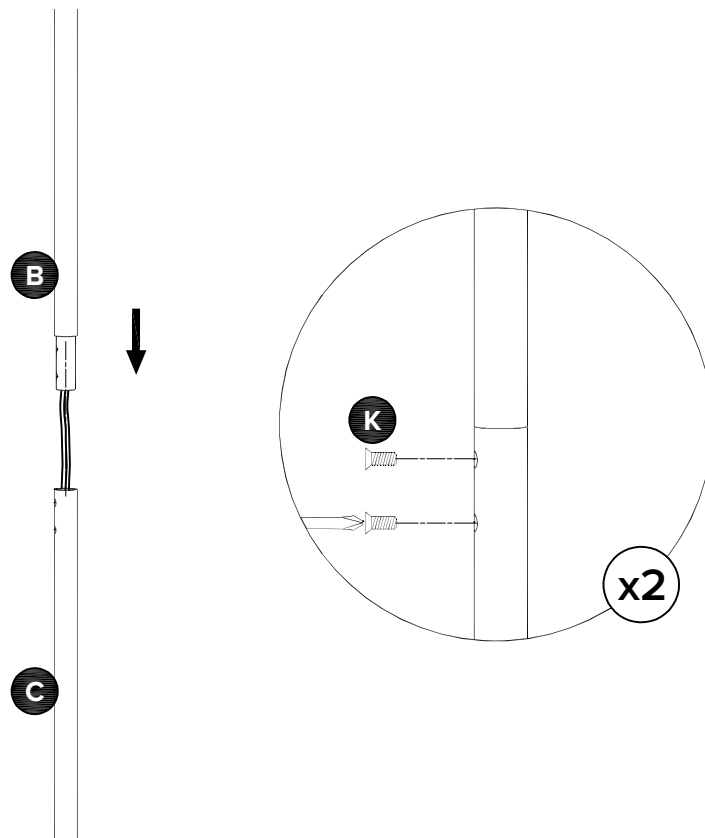


3

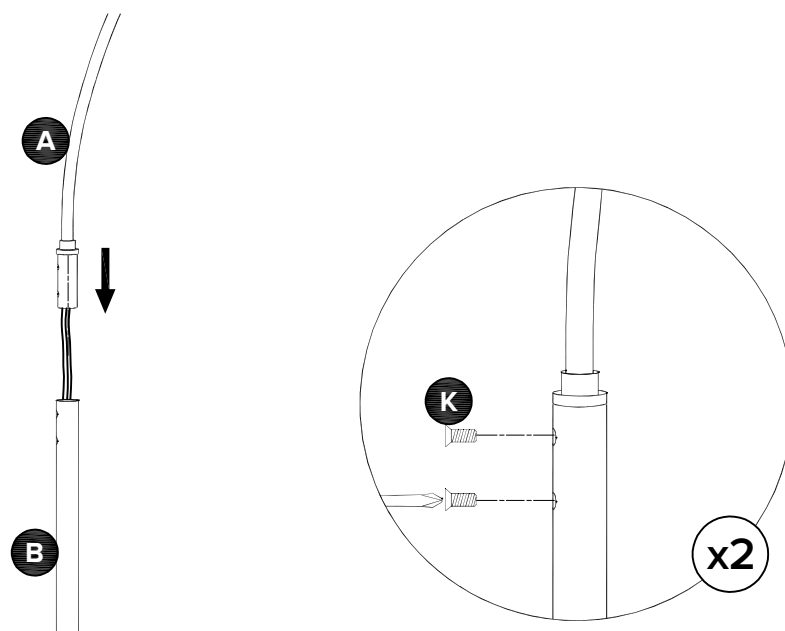


⚠ Pull the cord until segment (A)(B)(C) are connected.

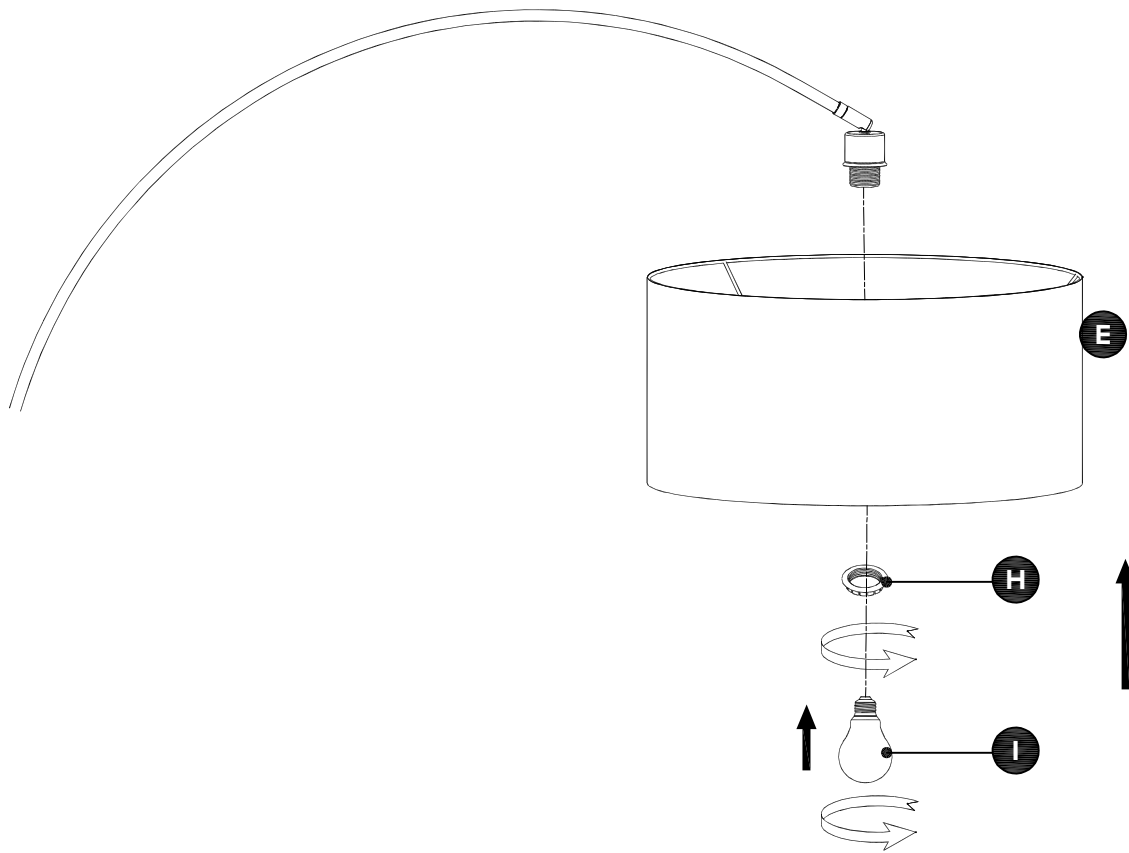
4



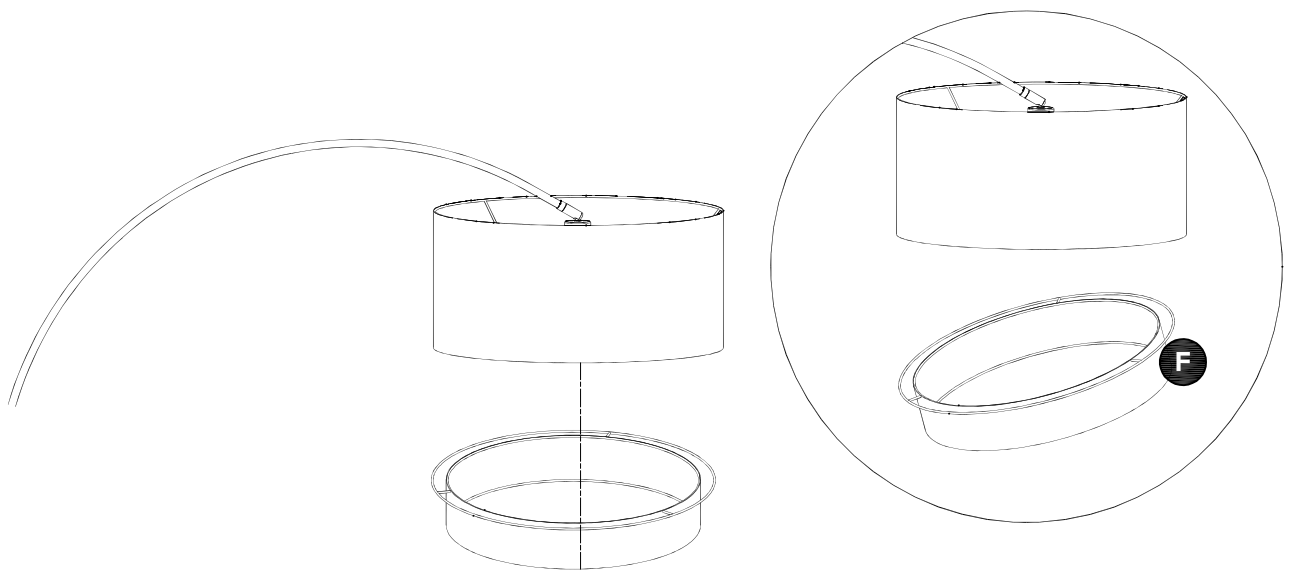
5



6

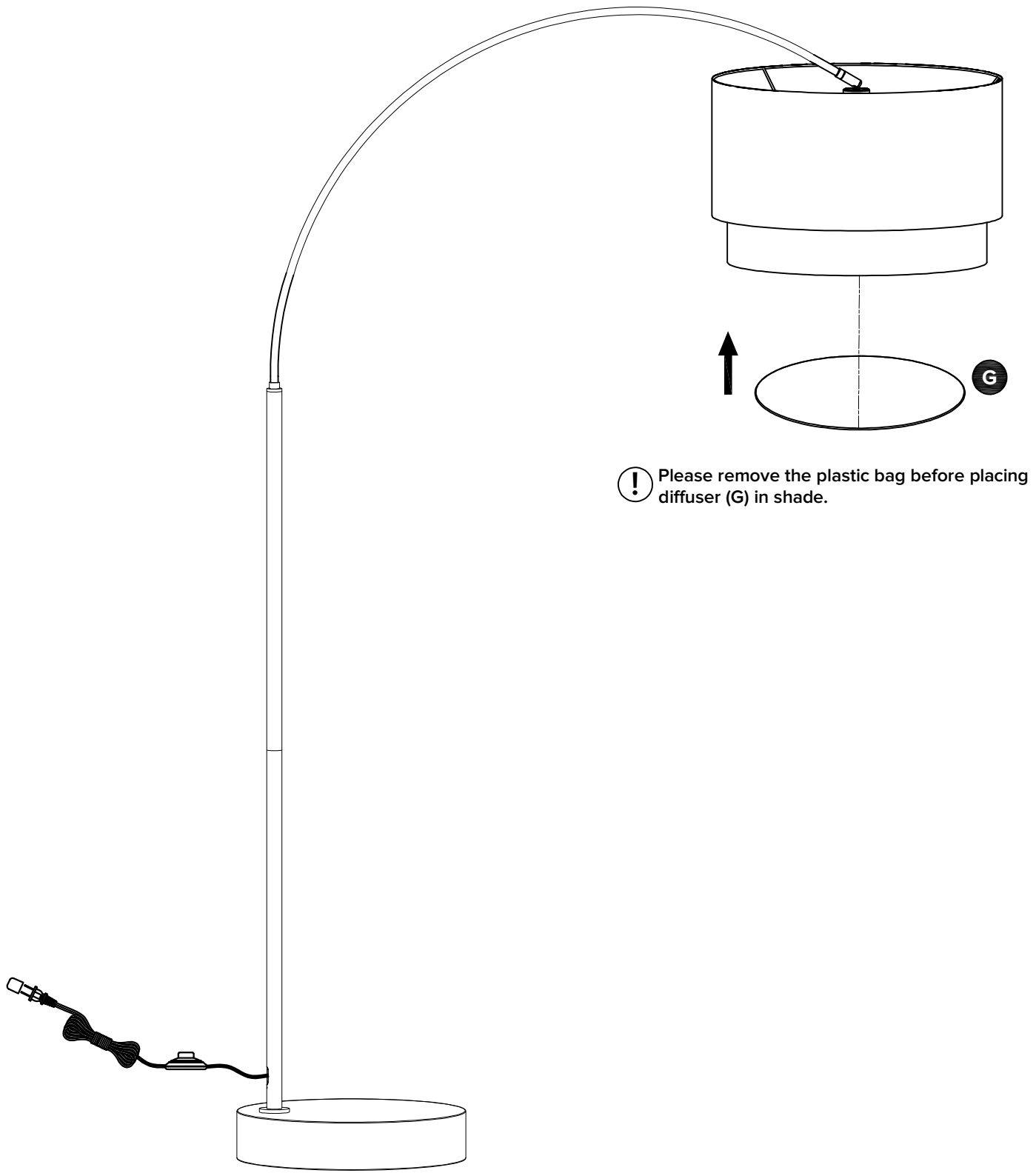


7



! Keep lamp bottom shade (F) lean during assembly.

8



⚠ Please remove the plastic bag before placing diffuser (G) in shade.