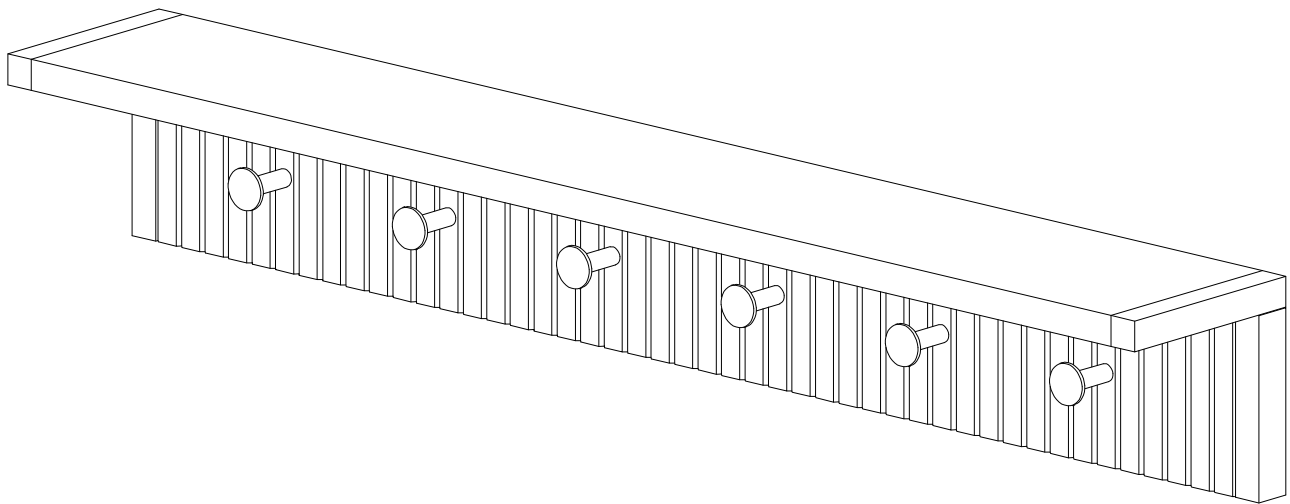


ARTICLE.

VERSION 1.1

Assembly Instructions



KOUVA


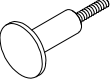

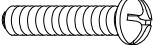
Shelf And Coat Rack

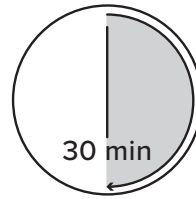
ASSEMBLY INSTRUCTIONS

Read these instructions carefully and keep for future reference. Refer to parts inventory for guidance, and ensure you have all pieces before starting.

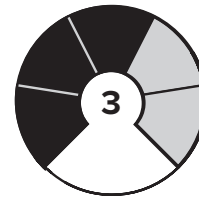
When assembling, place all parts on a soft, clean, and flat surface such as a carpet to prevent scratches.

If you're having difficulty, our friendly Customer Care team is always here to help. Call us at **1.888.746.3455** during business hours, email service@article.com or chat live at article.com.

PARTS INVENTORY		
ID	DESCRIPTION	QTY
A	SHELF WITH HOOKS	1
B	FRENCH CLEAT	1
C	DRILL TEMPLATE 	1
D	HOOKS 	2
E	SNAPTOGGLE 	3
F	M6 x 60MM BOLT 	3



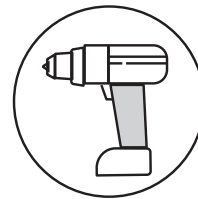
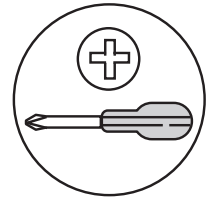
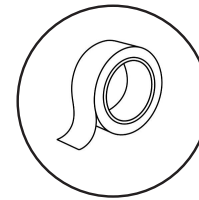
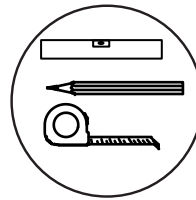
TIME



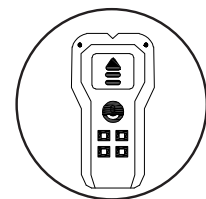
DIFFICULTY



OF PEOPLE



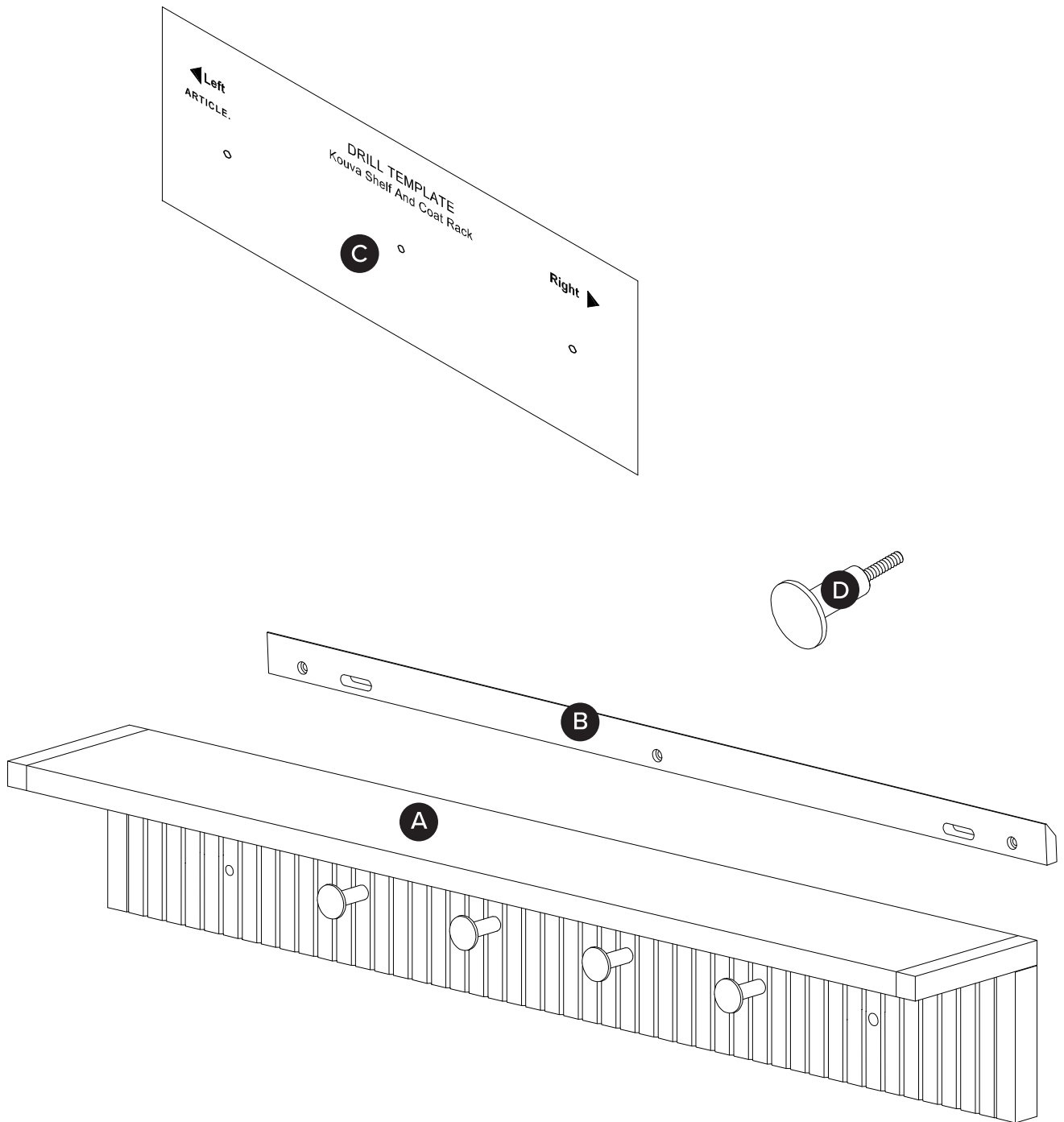
12MM / 1/2" DRILL BIT



STUD FINDER

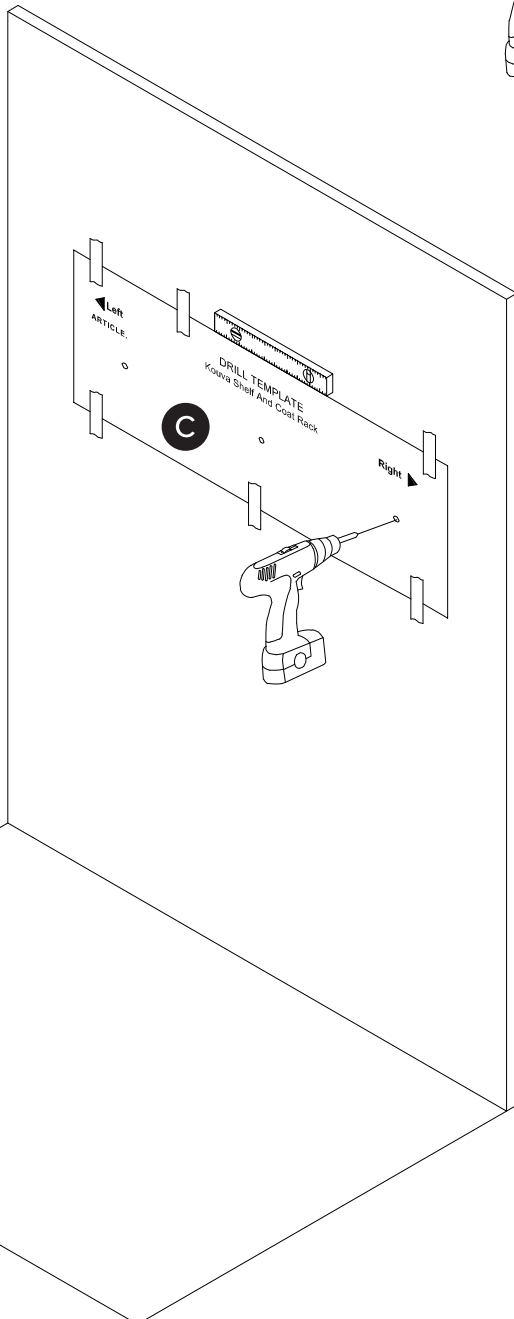
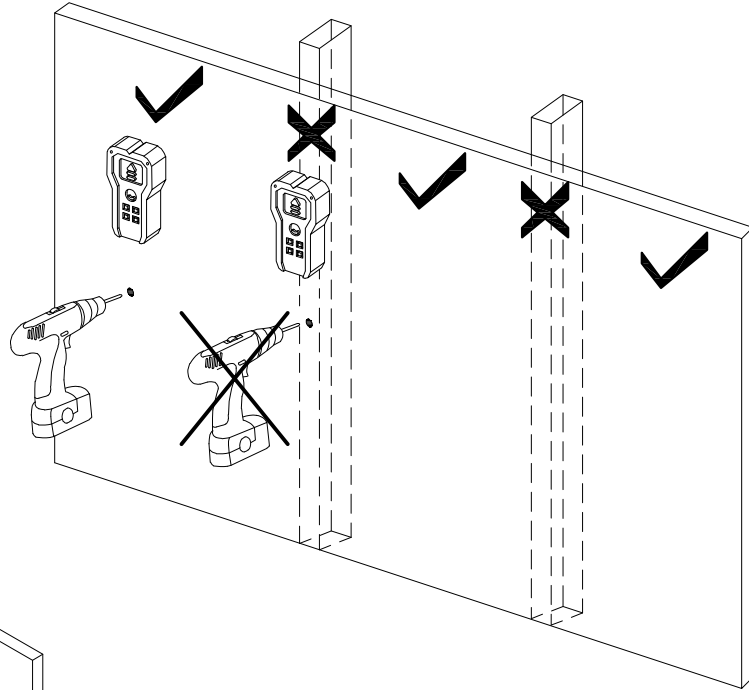
REQUIRED TOOLS

! Hardware (E/F) to attach bracket to wall is designed for drywall. To attach this unit to another type of wall, consult with your local hardware store.

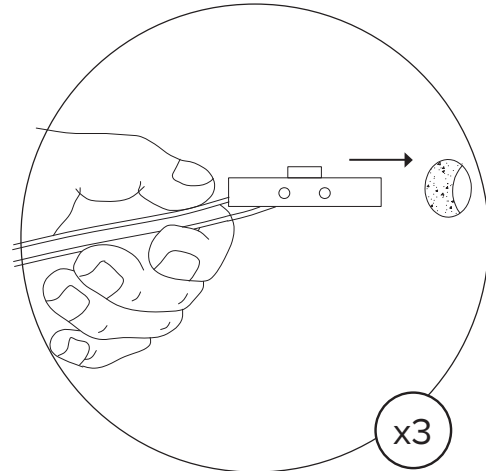
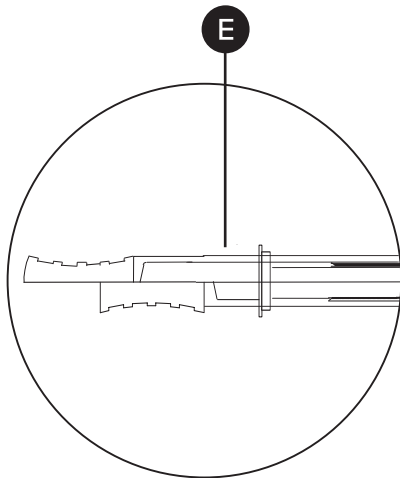


1

! Use stud finder to avoid drilling holes on the wooden studs. Our hardware (E/F) provided are for drywall only, if your wall has different construction, please consult with your contractor for proper hardware.

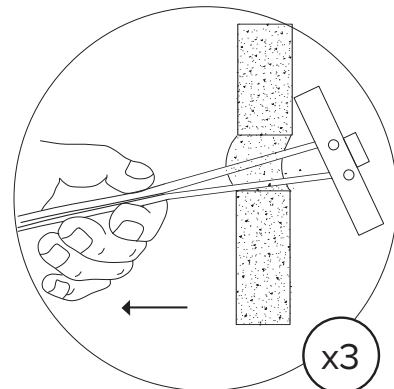
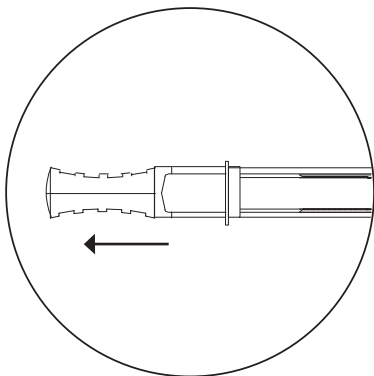


2A

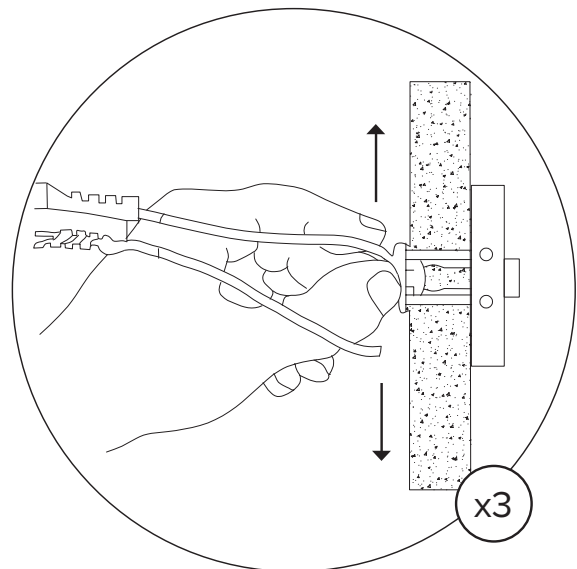
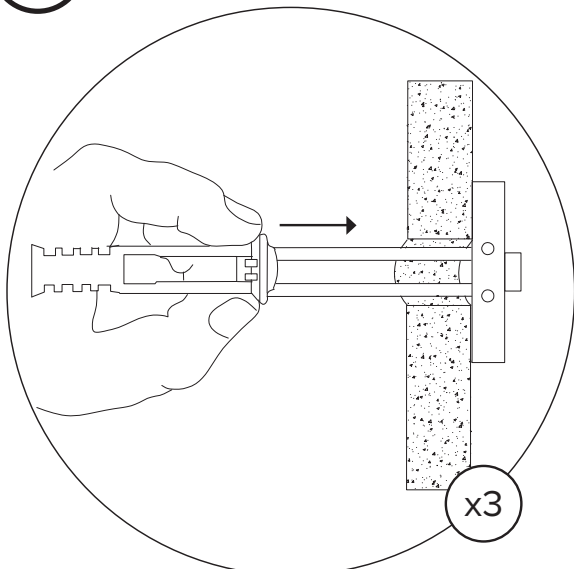


2B

! Pull the plastic trap backward until 2 ends aligned in order to make the metal channel rests flush behind the wall vertically.



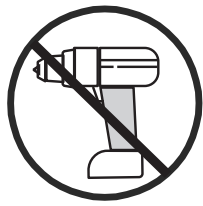
2C



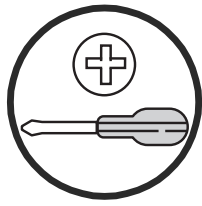
! Slide the plastic cap along the straps until flange of cap is flush with the wall

! Place thumb between plastic straps. Push side to side, snapping off straps level with flange of cap.

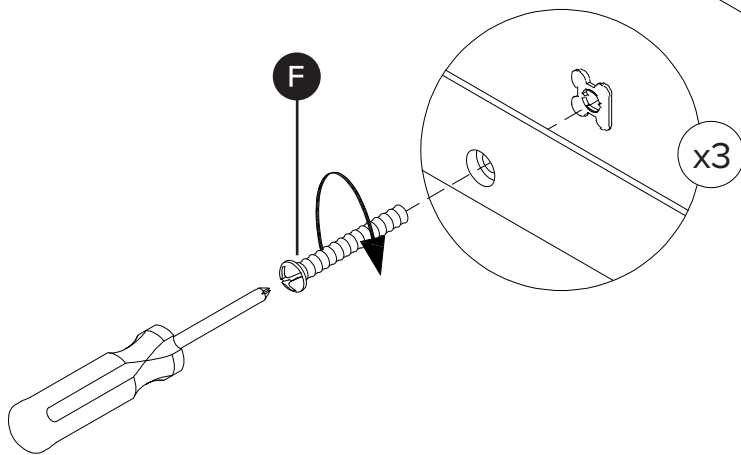
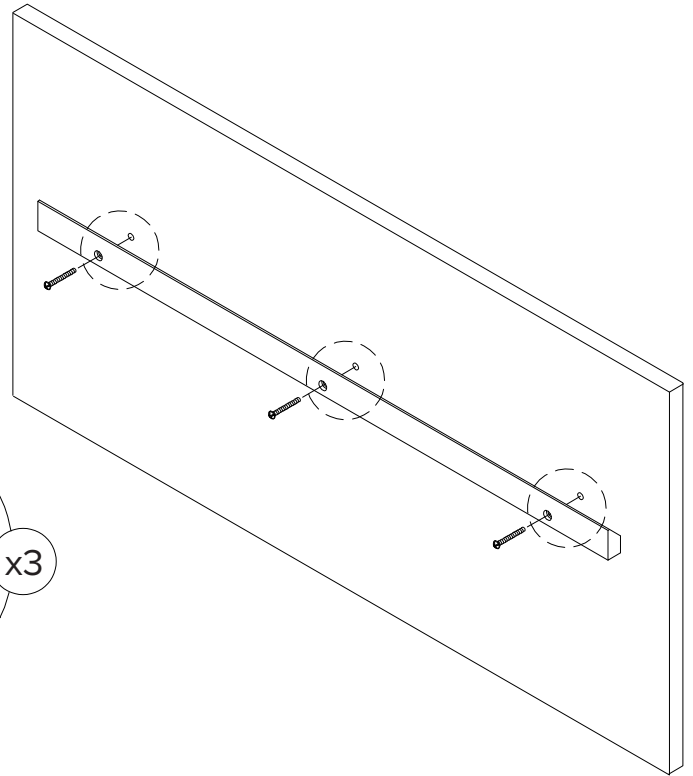
3



WRONG



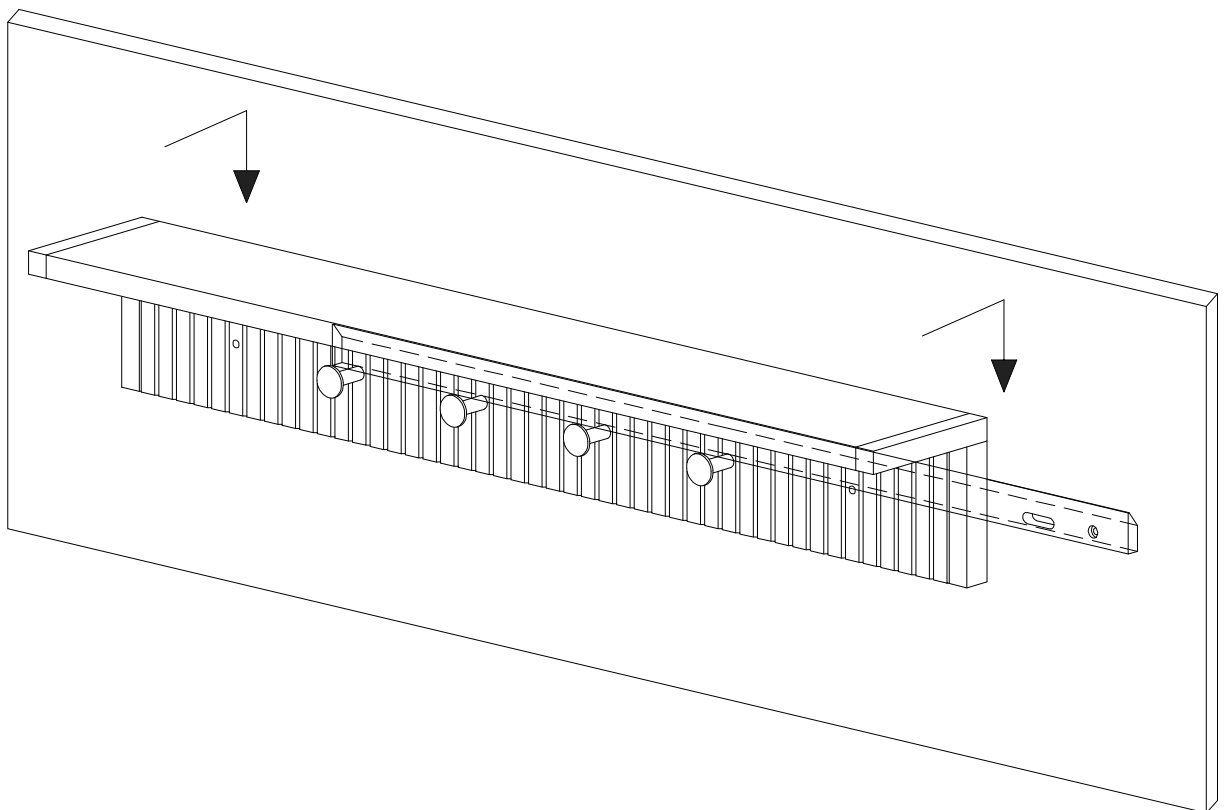
RIGHT



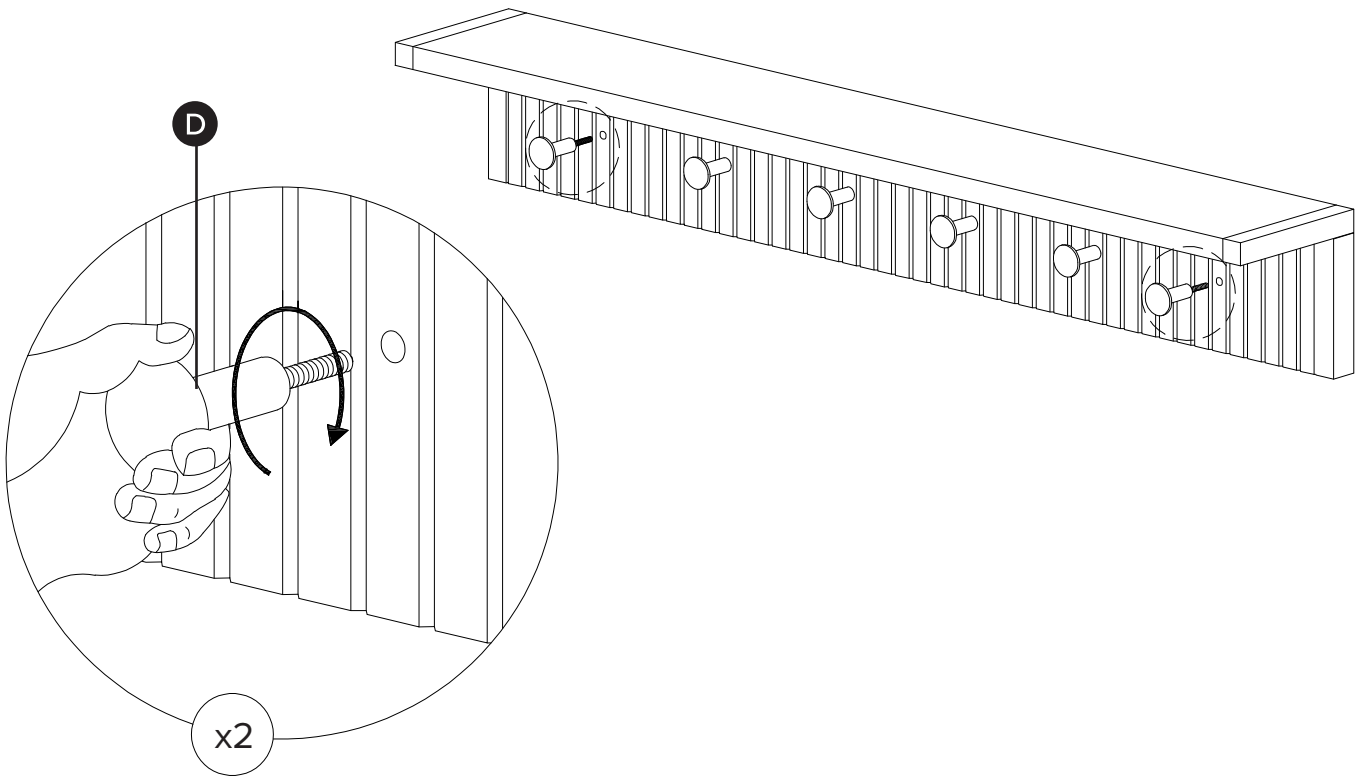
F

x3

4



5



6

