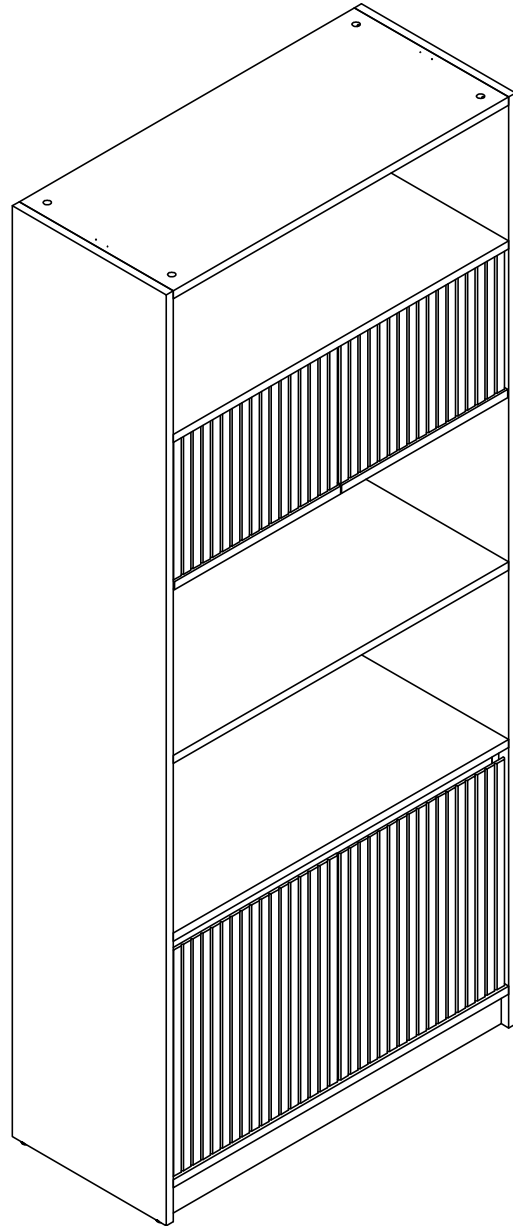


ARTICLE.

VERSION 1.0

Assembly Instructions



KOUVA

Modular Bookcase

ASSEMBLY INSTRUCTIONS

Read these instructions carefully and keep for future reference. Refer to parts inventory for guidance, and ensure you have all pieces before starting.

When assembling, place all parts on a soft, clean, and flat surface such as a carpet to prevent scratches.

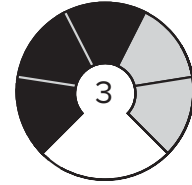
If you're having difficulty, our friendly Customer Care team is always here to help. Call us at **1.888.746.3455** during business hours, email service@article.com or chat live at article.com.



TIME



OF PEOPLE







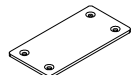
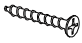


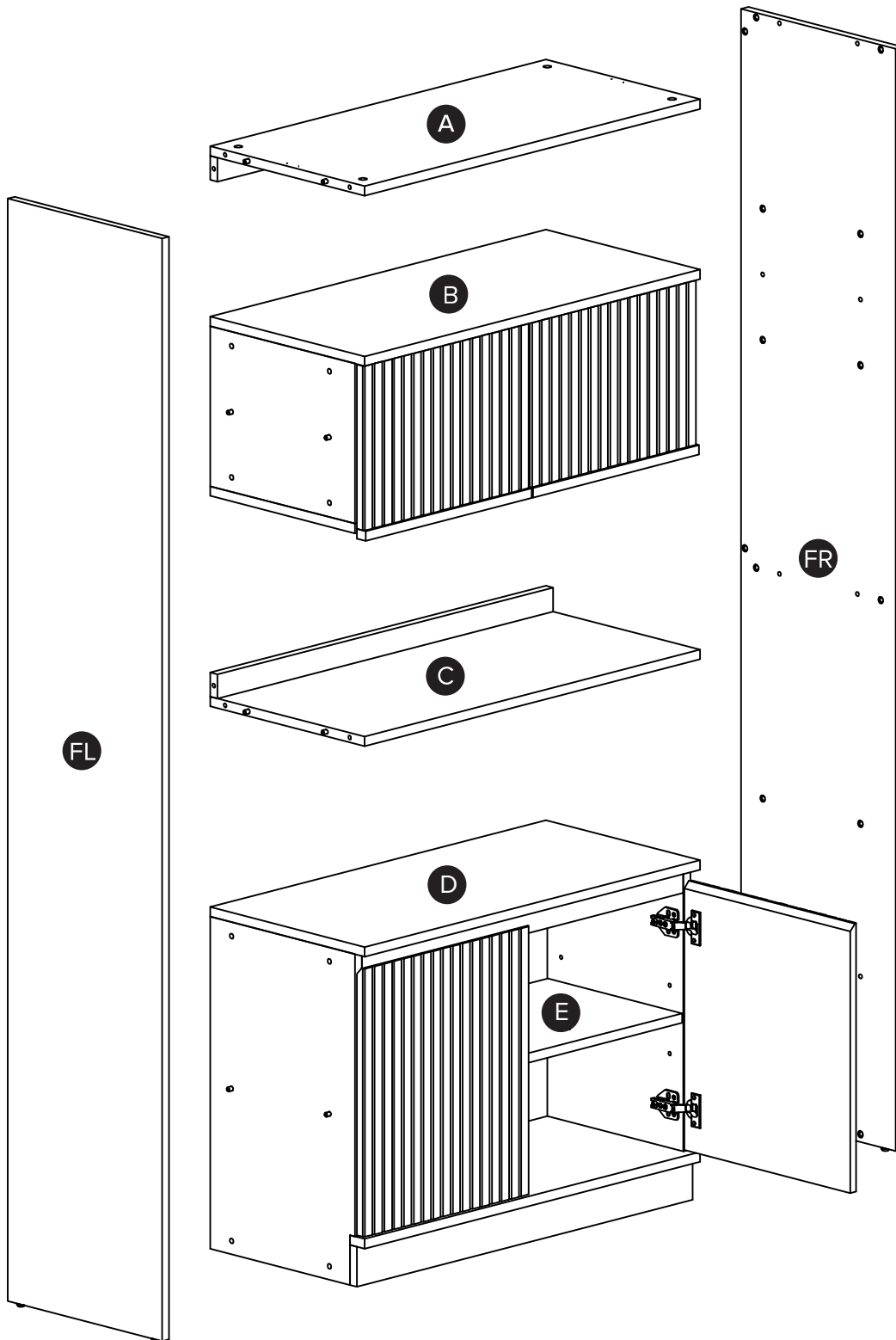
DIFFICULTY



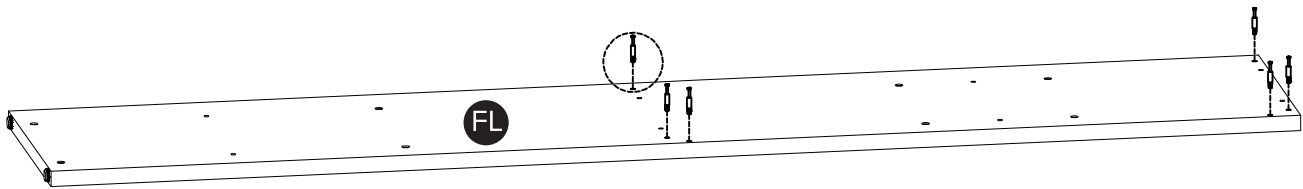
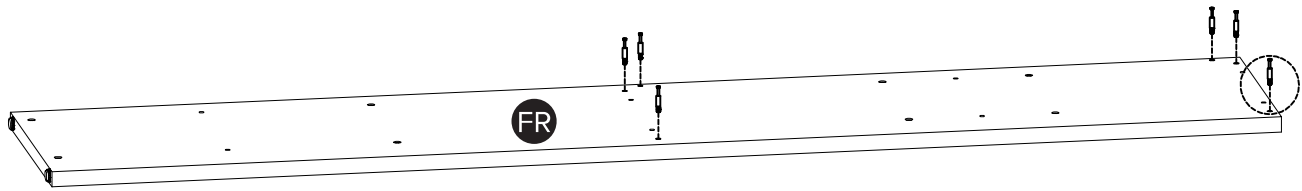
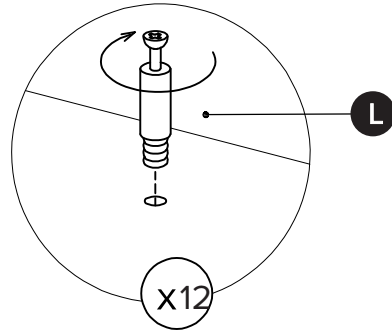
ANTI-TIP
Installation Required

PARTS INVENTORY		
ID	DESCRIPTION	QTY
A	TOP PANEL	1
B	TOP STORAGE	1
C	FIXED SHELF	1
D	BOTTOM STORAGE	1
E	REMOVABLE SHELF	1
FL	LEFT SIDE PANEL	1
FR	RIGHT SIDE PANEL	1

PARTS INVENTORY		
ID	DESCRIPTION	QTY
G	ALLEN KEY 	2
H	M6 x 30MM BOLT 	16
I	M6 LOCK WASHER 	16
J	M6 WASHER 	16
K	CAM LOCK 	12
L	CAM BOLT 	12
M	METAL PANEL (OPTIONAL) 	1
N	M3.5 x 15MM (OPTIONAL) 	4

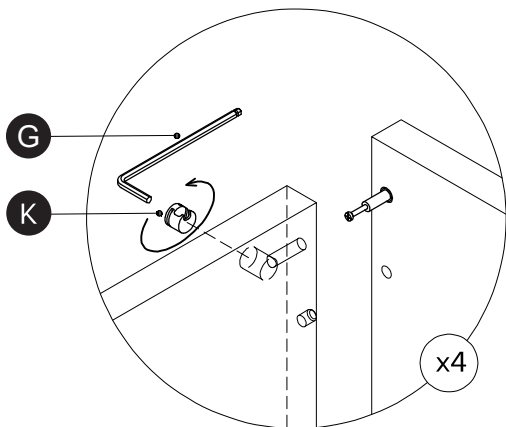
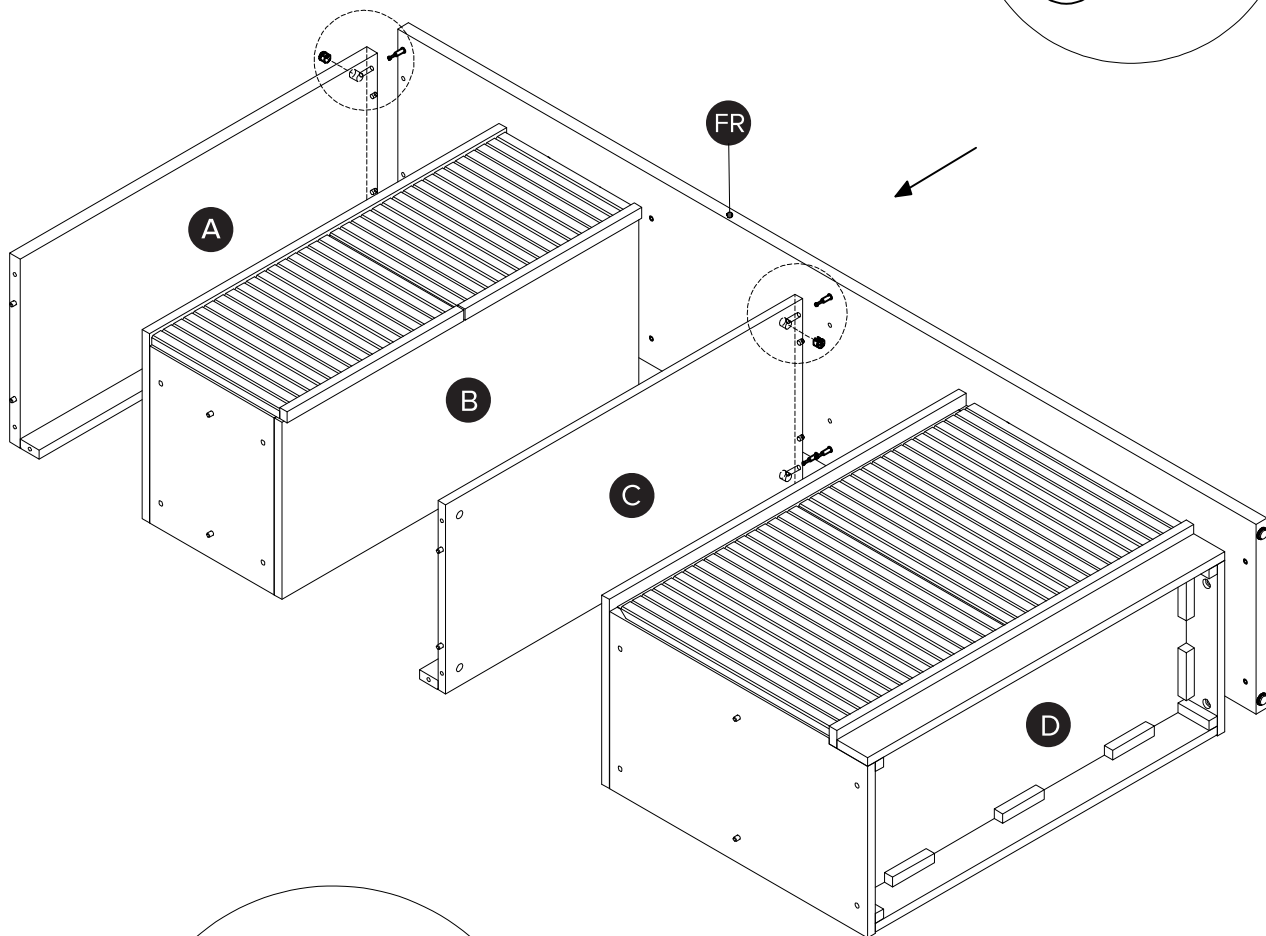
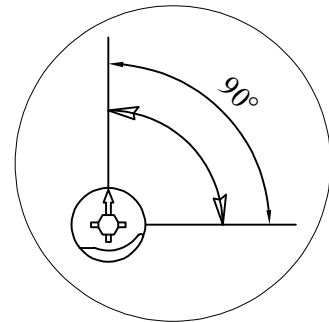


1

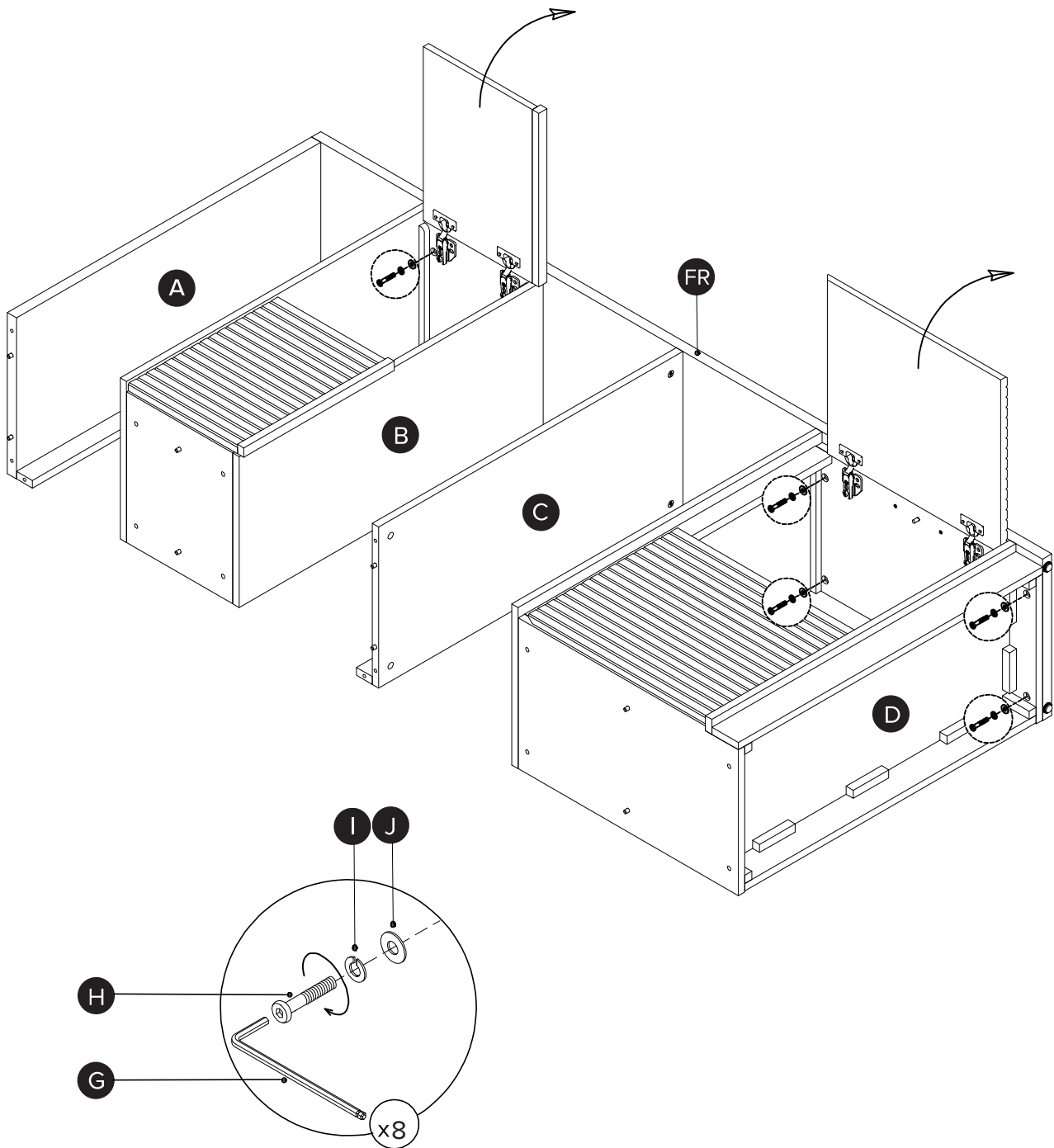


! Please ensure to put components on a flat and soft surface such as a cardboard or a rug.

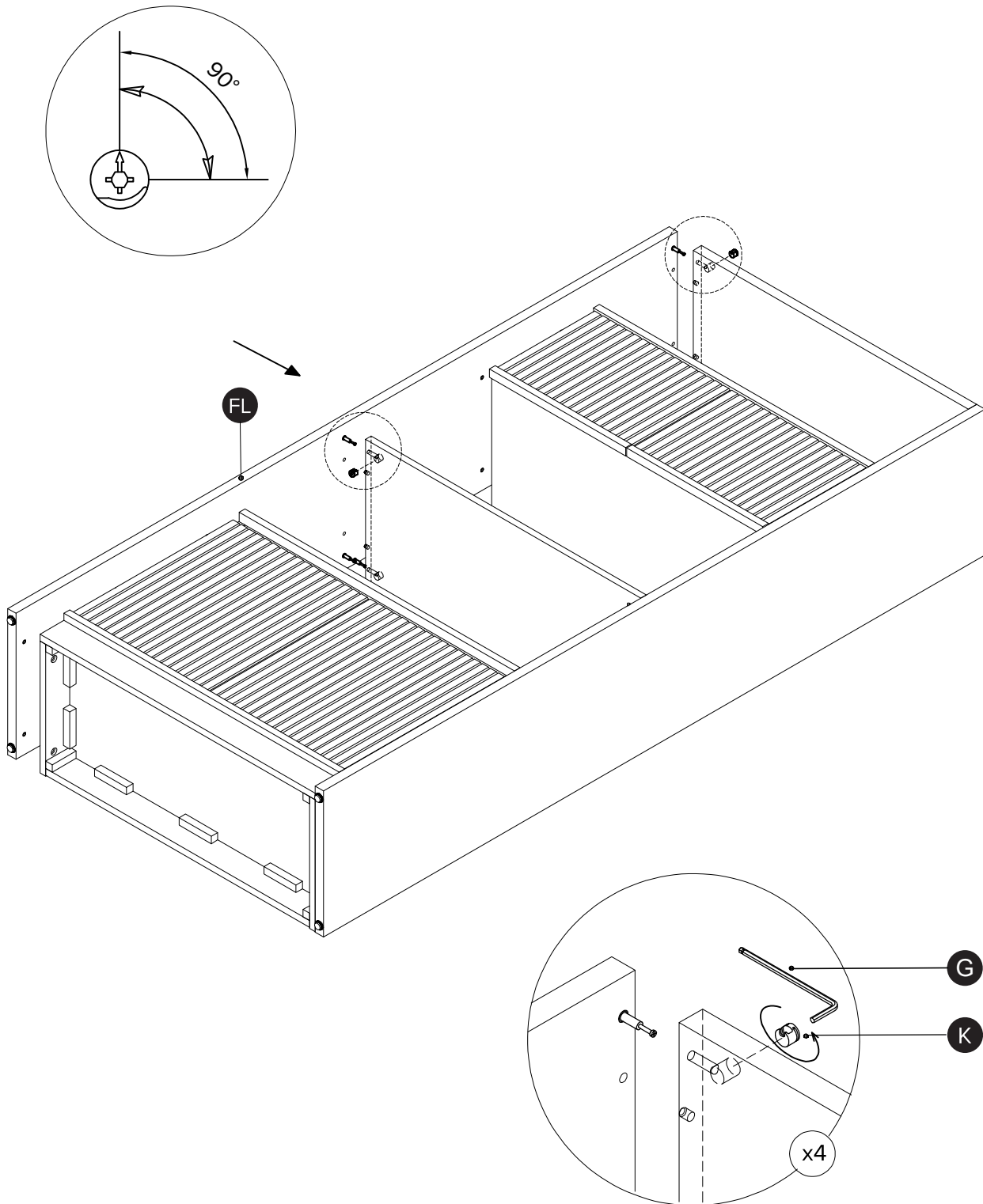
2



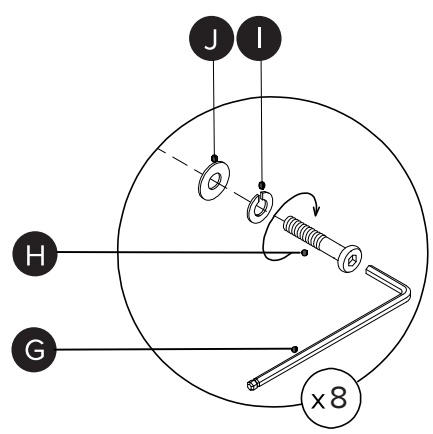
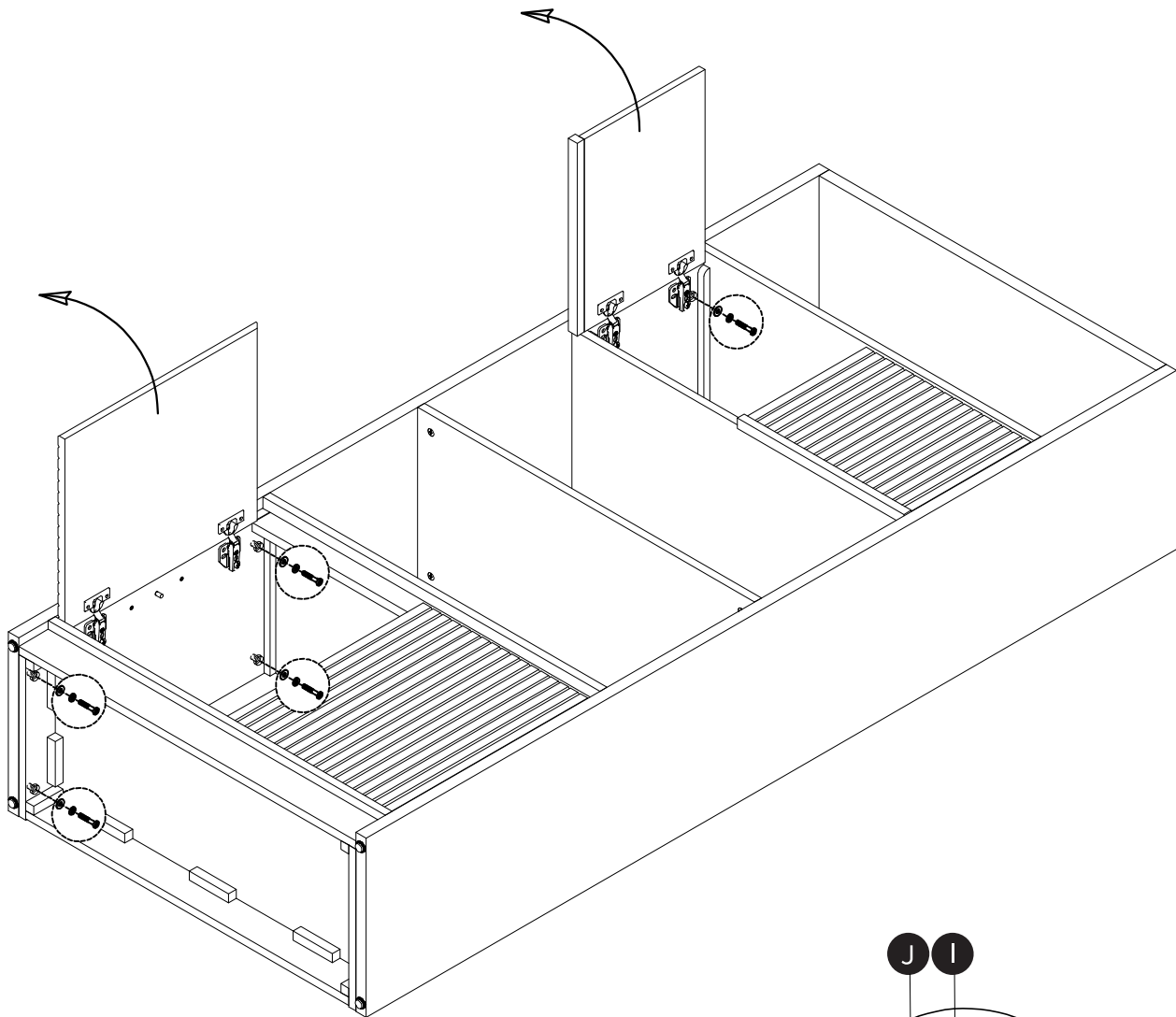
3



4

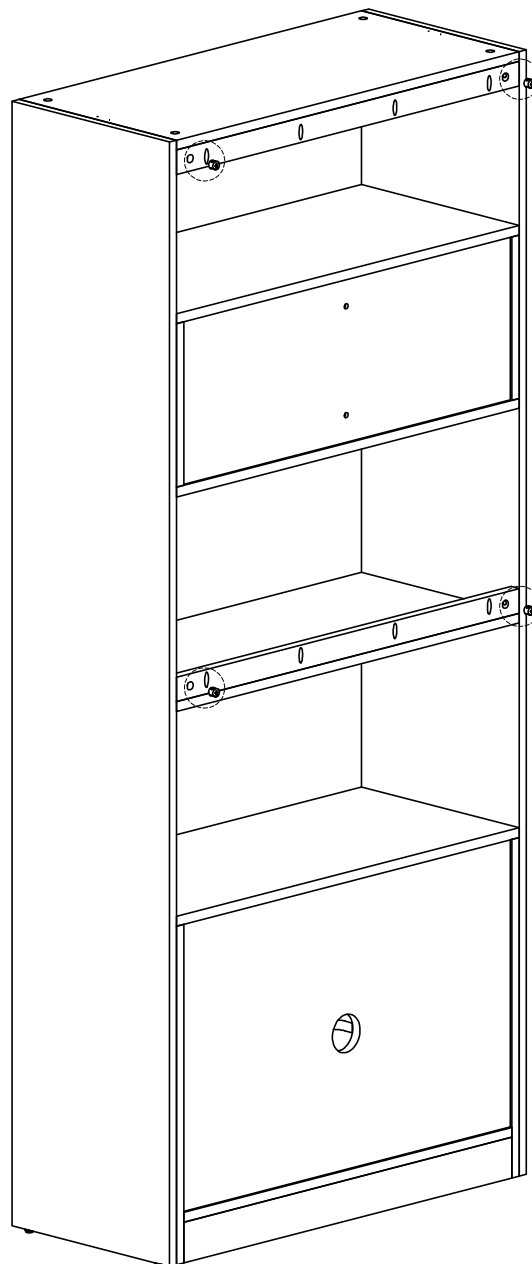
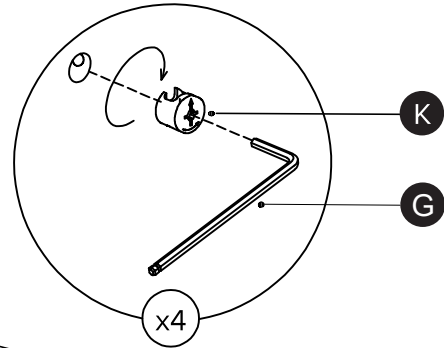
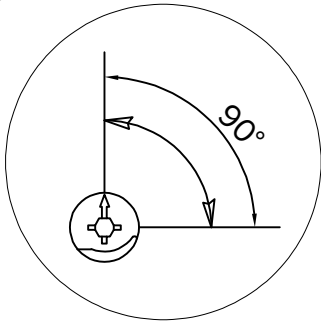


5

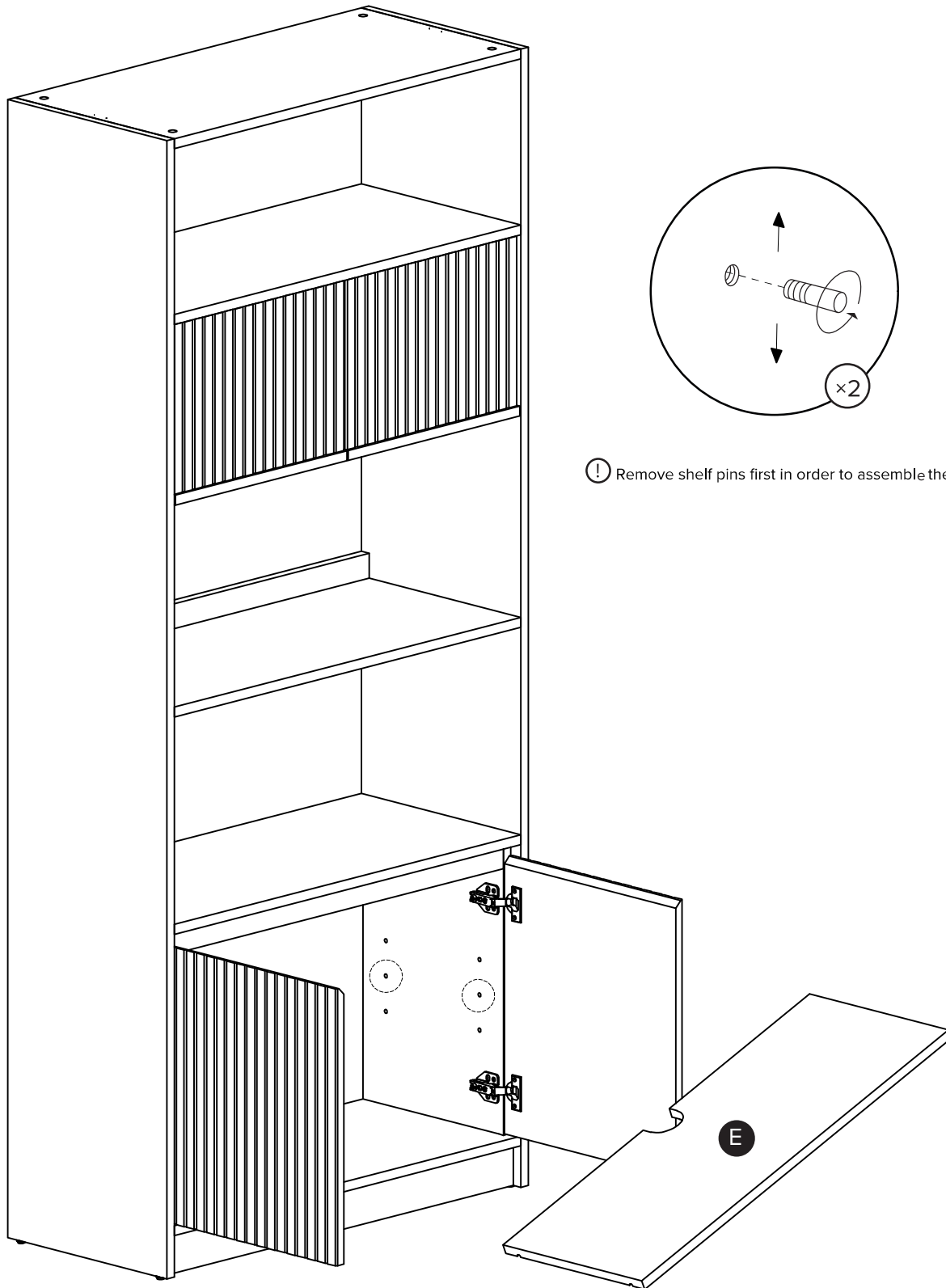


! CAUTION!
Please take care when lifting, this unit is heavy!

6

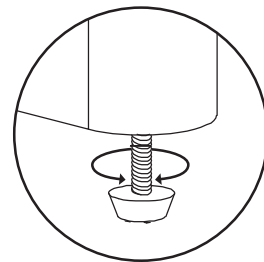
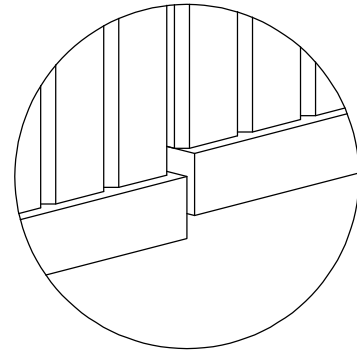
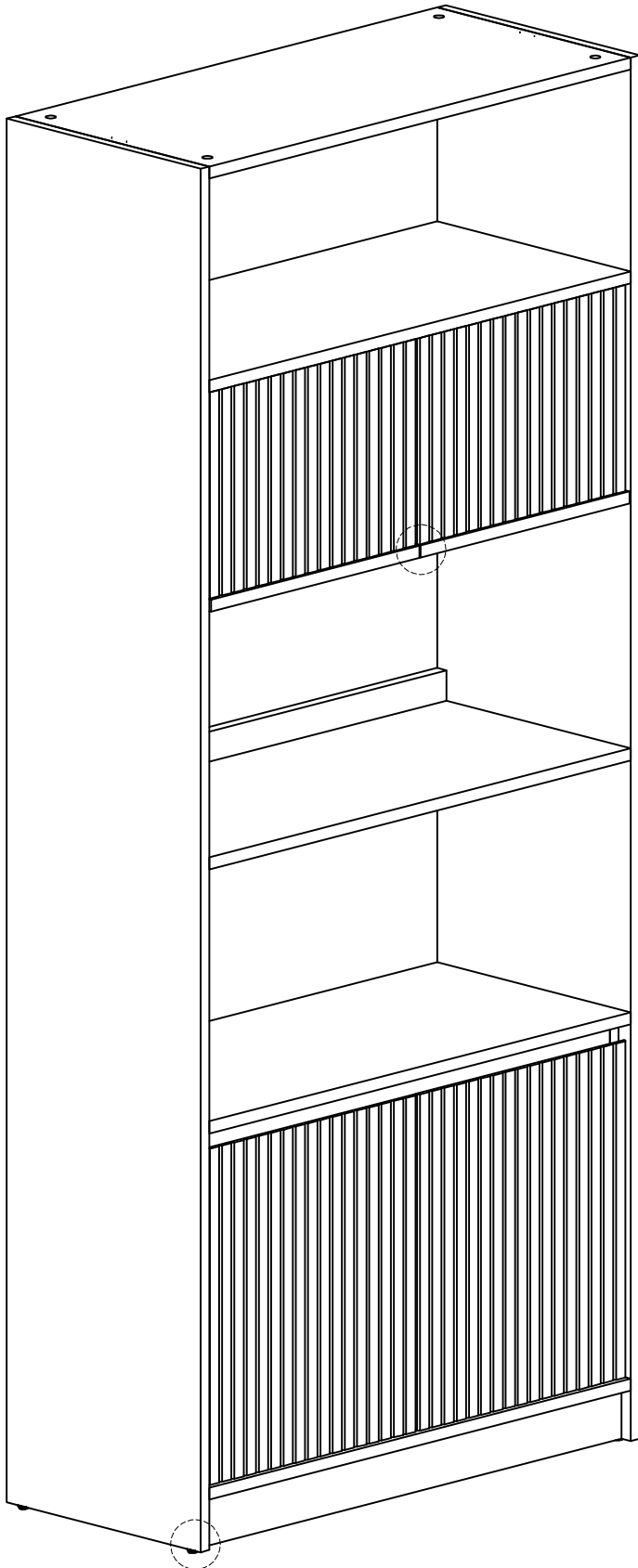


5



! Remove shelf pins first in order to assemble the shelf.

6

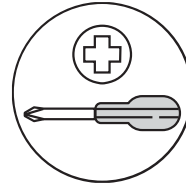


! Adjust levelers as needed.

DOOR ADJUSTMENT INSTRUCTIONS

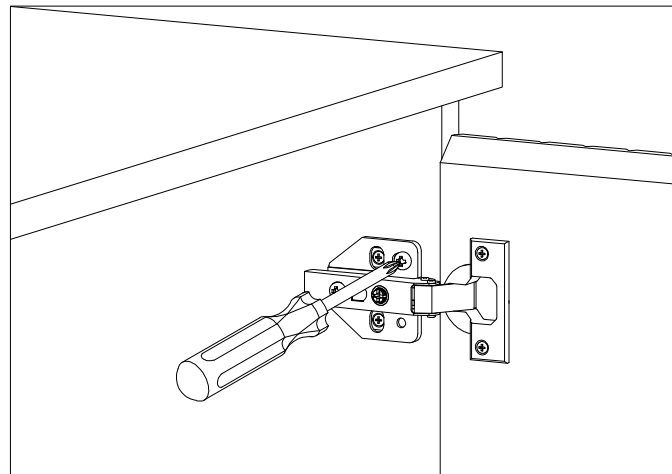
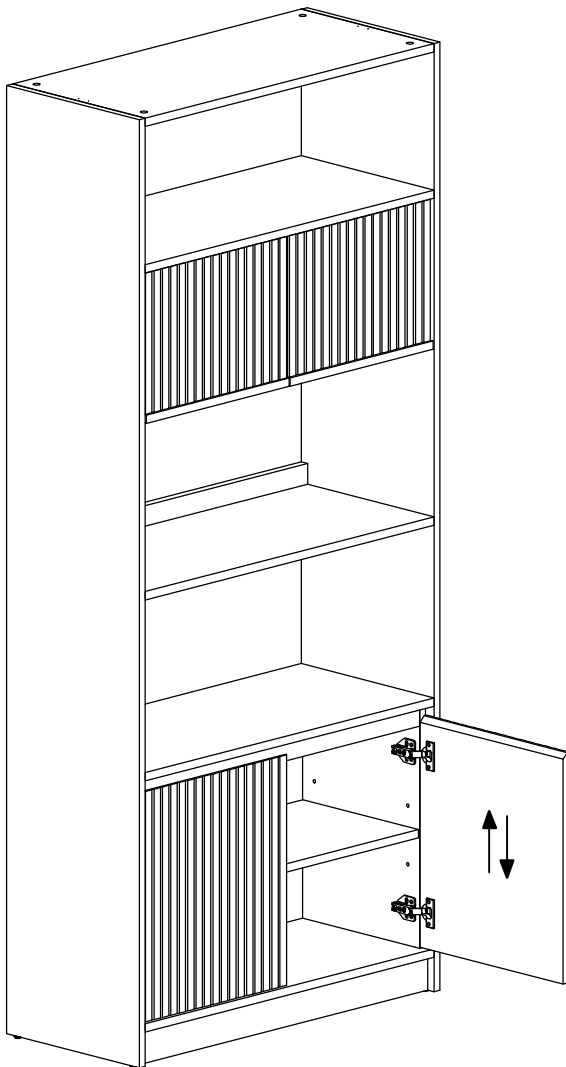


During shipping, the doors of your cabinet may have shifted slightly. This can easily be corrected by tightening a few screws. Always start by adjusting the top hinge on the affected door.



1

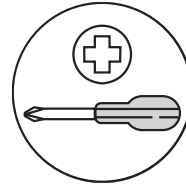
! If the door is crooked, adjust hinge(s) up or down:



DOOR ADJUSTMENT INSTRUCTIONS

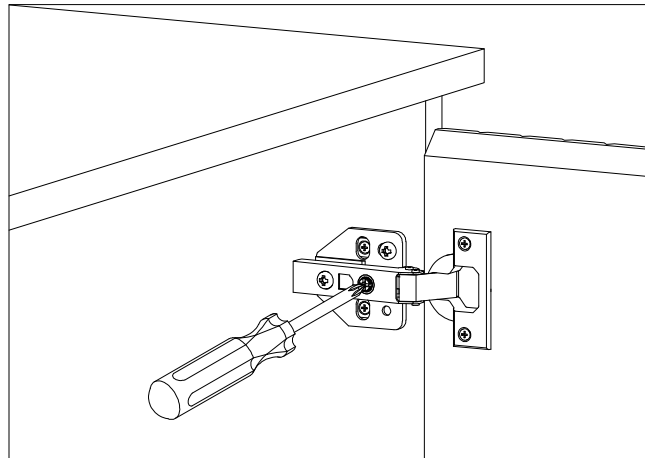
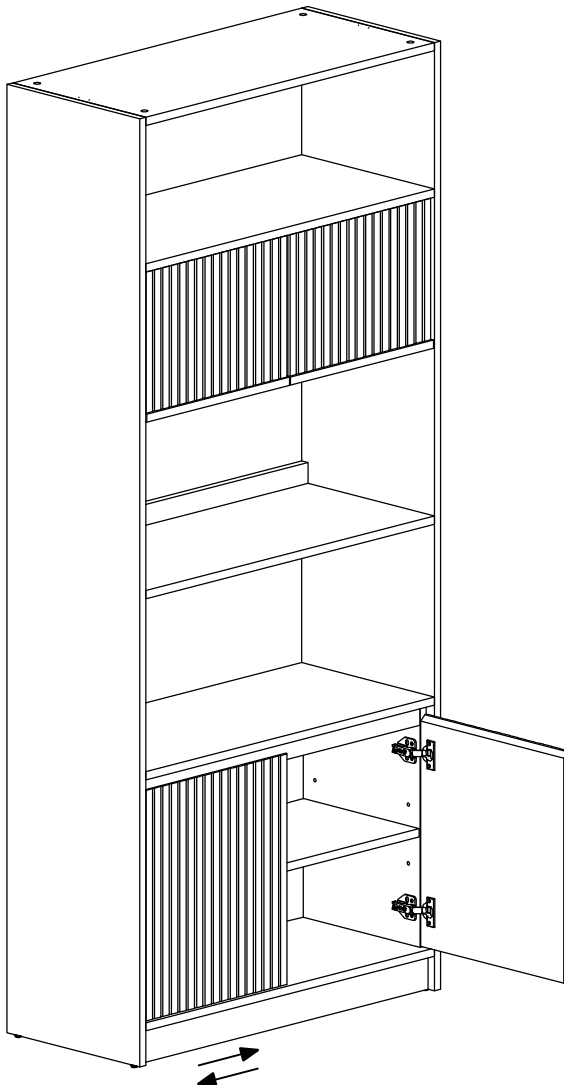


During shipping, the doors of your cabinet may have shifted slightly. This can easily be corrected by tightening a few screws. Always start by adjusting the top hinge on the affected door.



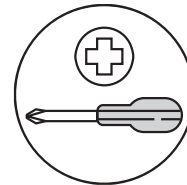
2

! If the door needs adjustment side to side:



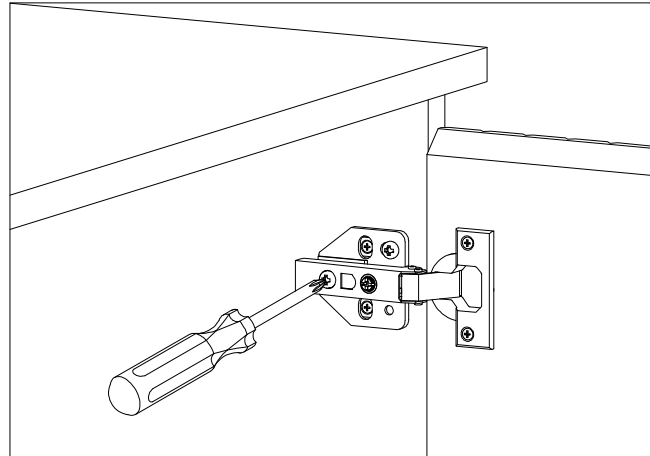
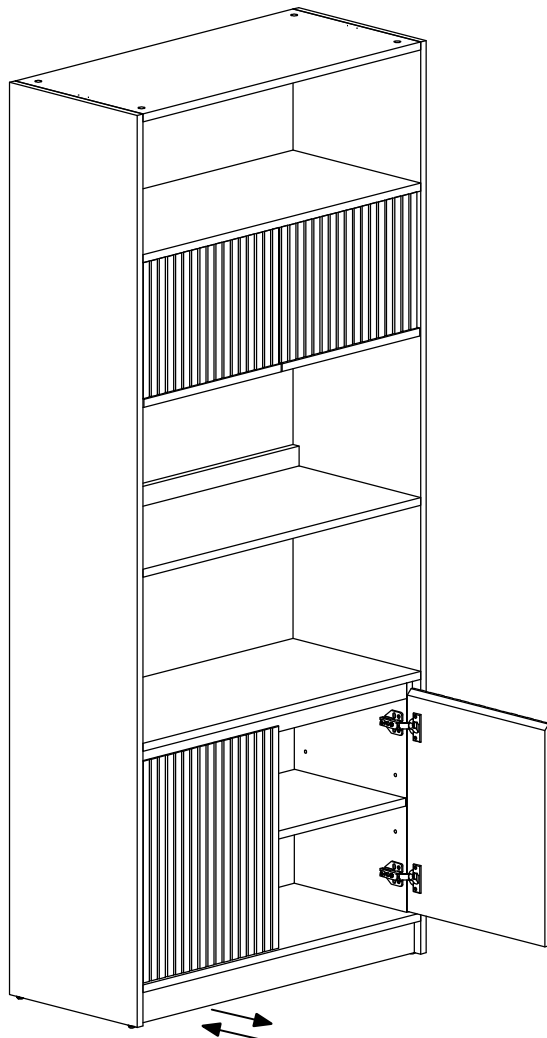
DOOR ADJUSTMENT INSTRUCTIONS

! During shipping, the doors of your cabinet may have shifted slightly. This can easily be corrected by tightening a few screws. Always start by adjusting the top hinge on the affected door.



3

! If the door needs adjustment forward or backward:





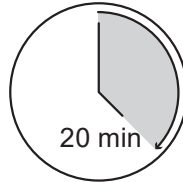
ANTI-TIP RESTRAINT INSTALLATION

WARNING!

Serious or fatal crushing injuries can occur from furniture tip-over. To help prevent tip-over:

- Install tip-over restraint provided.
- Do not set heavy objects on top of this product, unless the product is specifically designed to accommodate them.
- Never allow children to climb or hang on mirrors, shelves, consoles, or cabinets with doors and/or drawers.

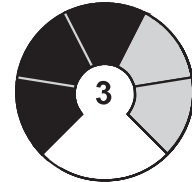
Use of tip-over restraints may only reduce but not eliminate, the risk of tip-over.



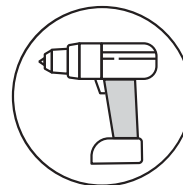
TIME



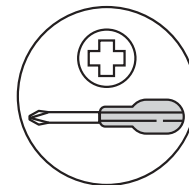
OF PEOPLE



DIFFICULTY



REQUIRED TOOL
8MM / 5/16" DRILL BIT

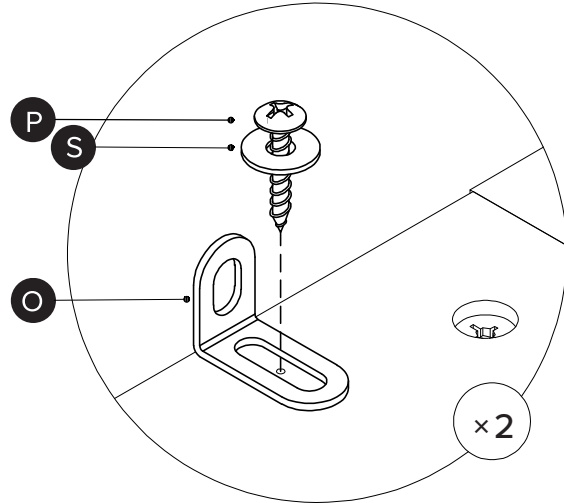
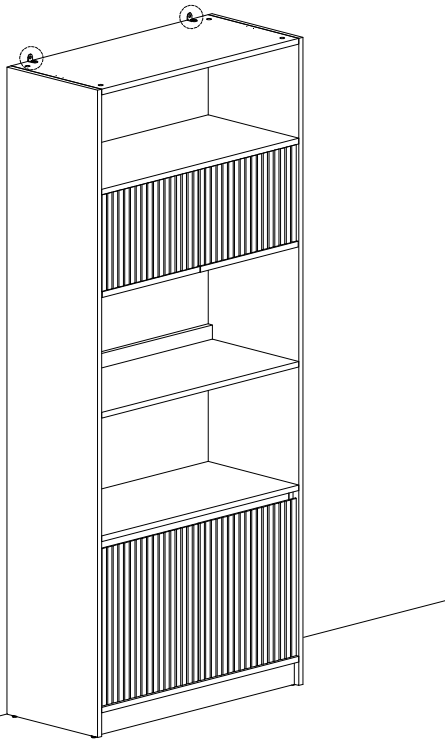


REQUIRED TOOL

PARTS INVENTORY CONT.			
ID	DESCRIPTION		QTY
O	BRACKET		2
P	M4 × 15MM SCREW		2
Q	M8 × 51MM PLUG		2
R	M6 × 70MM SCREW		2
S	WASHER		2

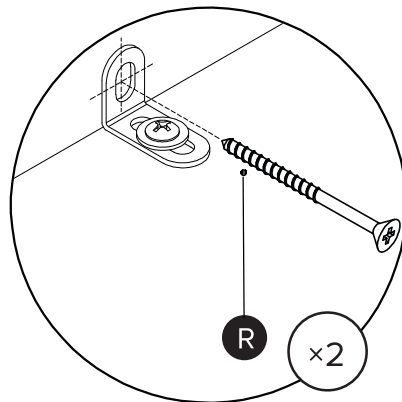
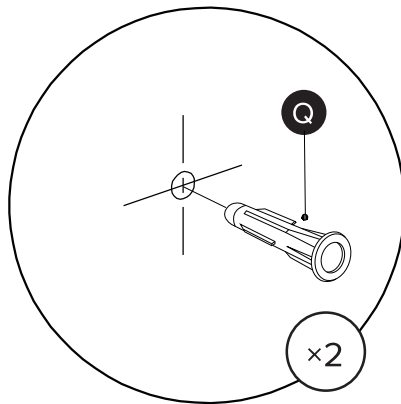
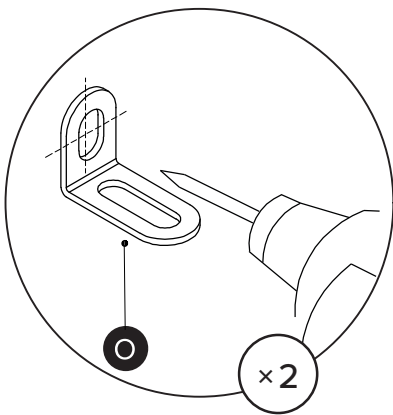
Hardware (Q/R) to attach brackets to wall is designed for drywall. To attach this unit to another type of wall, consult with your local hardware store.

1



! Attach the bracket (O) into the underside of the top shelf as shown in the illustration. use screw (P) and washer (S) to attach the bracket into the pre-drilled hole underside of top shelf.

2



Place unit in desired location and mark on wall where holes should be drilled. Drill holes in wall using 8mm / 5/16" drill bit.

Drill holes into drywall, and attach unit to wall with appropriate hardware.



! Use this bracket connector to connect 2 units or connect with the Kouva Wall Desk when you purchased more than 1 unit only.

